



US00D768070S

(12) **United States Design Patent** (10) **Patent No.:** **US D768,070 S**  
**Kim et al.** (45) **Date of Patent:** **\*\* \*Oct. 4, 2016**

(54) **BATTERY PACK**

(71) Applicant: **LG Chem, Ltd.**, Seoul (KR)

(72) Inventors: **Hyeon-Kyu Kim**, Daejeon (KR);  
**Bum-Hyun Lee**, Daejeon (KR); **In-Jae Gang**, Daejeon (KR)

(73) Assignee: **LG Chem, Ltd.** (KR)

(\*) Notice: This patent is subject to a terminal disclaimer.

(\*\*) Term: **15 Years**

(21) Appl. No.: **29/539,045**

(22) Filed: **Sep. 10, 2015**

(30) **Foreign Application Priority Data**

Mar. 11, 2015 (KR) ..... 30-2015-0012220

(51) **LOC (10) Cl.** ..... **13-02**

(52) **U.S. Cl.**  
USPC ..... **D13/103**

(58) **Field of Classification Search**

USPC ..... D13/102-110, 118, 199, 184;  
429/96-100, 149, 159, 163, 176, 177,  
429/186; 206/703-705, 461-463, 471, 485,  
206/485.1, 493; D14/203.3-203.8, 217,  
D14/240, 248, 250-253, 432, 434, 440, 450,  
D14/496; 320/101, 102, 107-115, 120;  
D3/201, 207-209, 218, 269, 212, 301,  
D3/273, 303; 361/679, 56; 379/426,  
379/433.11-433.13, 455; 455/575.1, 575.8  
CPC ... Y02E 60/12; Y02E 60/122; Y02E 60/124;  
Y02E 60/50; H01M 2/02; H01M 2/022;  
H01M 2/0202; H01M 2/0207; H01M 2/0212;  
H01M 2/1061; H01M 2/1022; H01M 2/1055;  
H01M 2/1066; H01M 2/105; H01M 2/204;  
H01M 10/4257; H01M 10/0436; H01M  
10/48

See application file for complete search history.

(56) **References Cited**

U.S. PATENT DOCUMENTS

D509,184	S	*	9/2005	Schuttler	.....	D13/110
D602,859	S	*	10/2009	Kaiser	.....	D13/101
D606,937	S	*	12/2009	Brookshire	.....	D13/110
D626,066	S	*	10/2010	Liu	.....	D13/110
8,486,550	B2	*	7/2013	Suzuki	.....	H01M 2/1055 429/100
D725,589	S	*	3/2015	Hidaka	.....	D13/103
D731,412	S	*	6/2015	Gao	.....	D13/103
D749,064	S	*	2/2016	Bhattacharya	.....	D14/240
2008/0241675	A1	*	10/2008	Enari	.....	H01M 2/105 429/179
2015/0263320	A1	*	9/2015	Takasaki	.....	H01M 2/105 429/156

\* cited by examiner

*Primary Examiner* — Rosemary K Tarcza

*Assistant Examiner* — Christy Nemeth

(74) *Attorney, Agent, or Firm* — Lerner, David,  
Littenberg, Krumholz & Mentlik, LLP

(57) **CLAIM**

The ornamental design for a battery pack, as shown and described.

**DESCRIPTION**

FIG. 1 is a front perspective view of a battery pack according to our design;

FIG. 2 is a front view thereof;

FIG. 3 is a rear view thereof;

FIG. 4 is a left side view thereof;

FIG. 5 is a right side view thereof;

FIG. 6 is a top view thereof;

FIG. 7 is a bottom view thereof; and,

FIG. 8 is a front perspective view of the battery pack with a main battery pack shown in broken lines. The main battery pack is environmental only and forms no part of the claimed design.

The broken lines in the drawings illustrate environmental subject matter only and form no part of the claimed design.

**1 Claim, 4 Drawing Sheets**

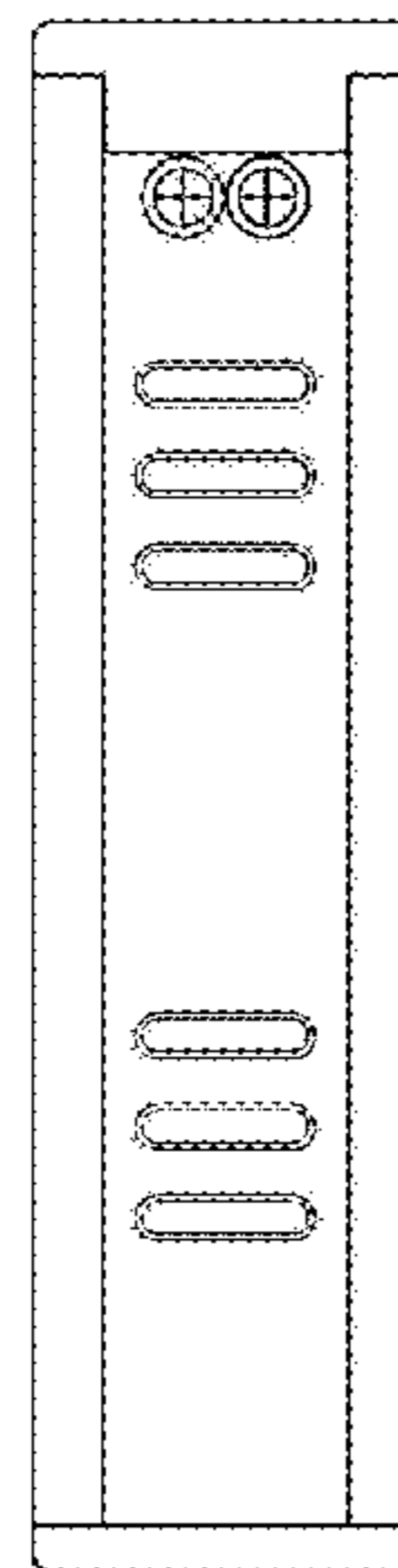
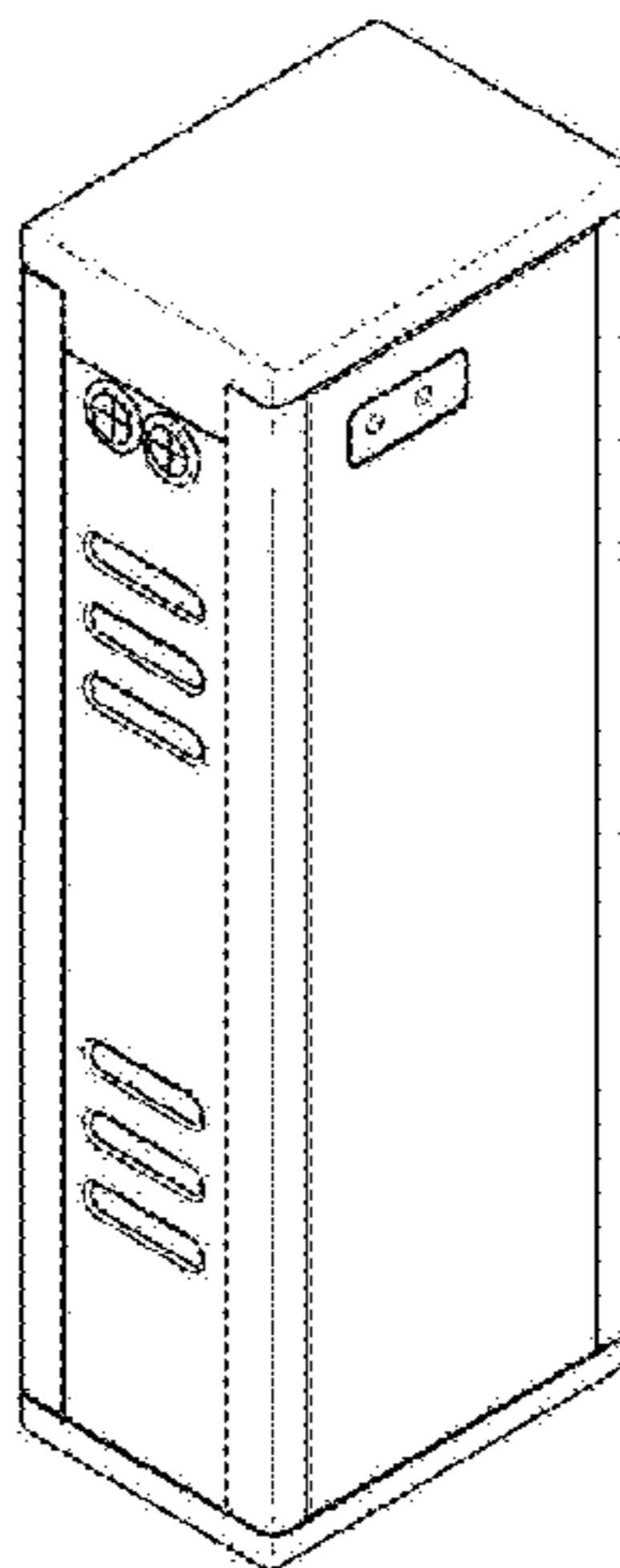


FIG. 1

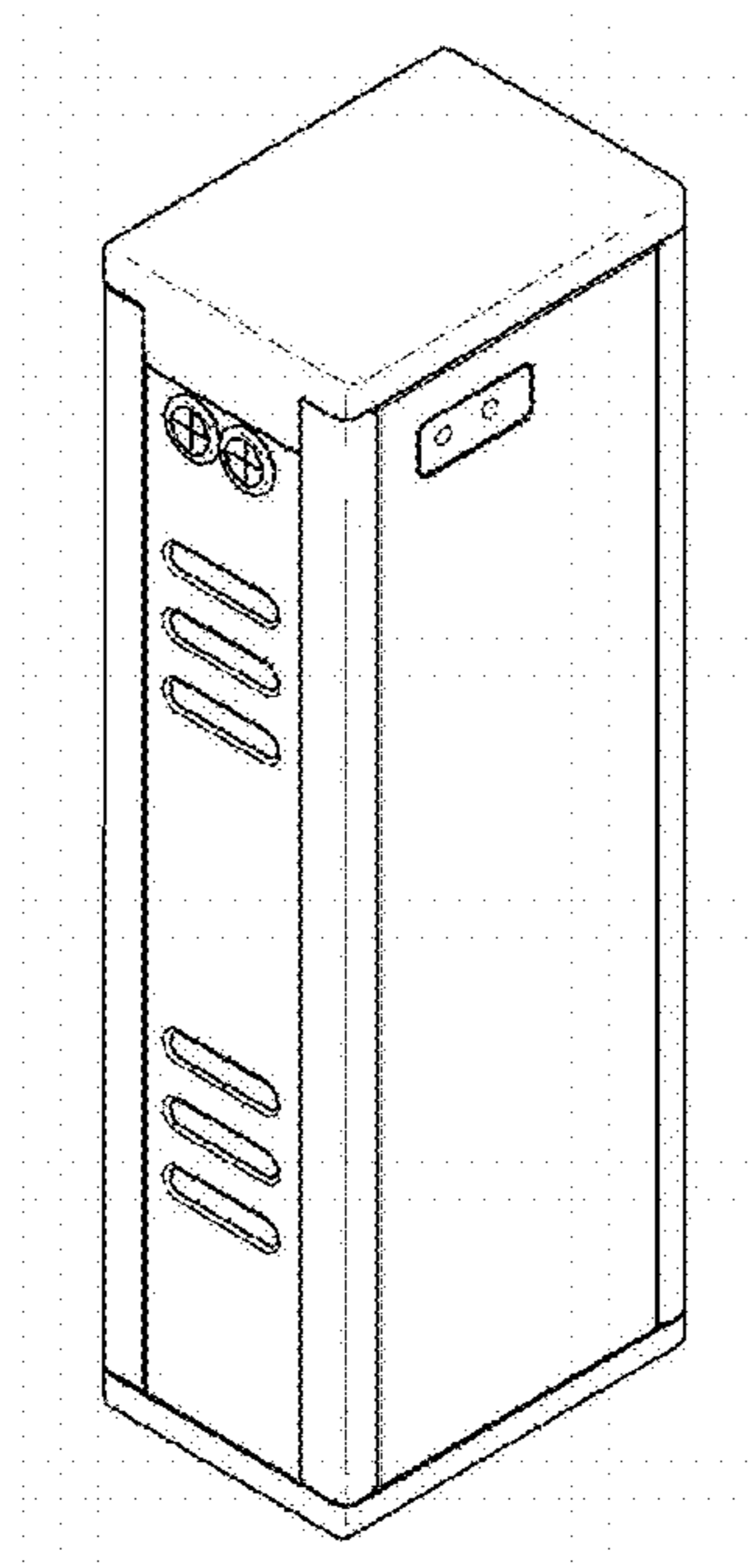


FIG. 2

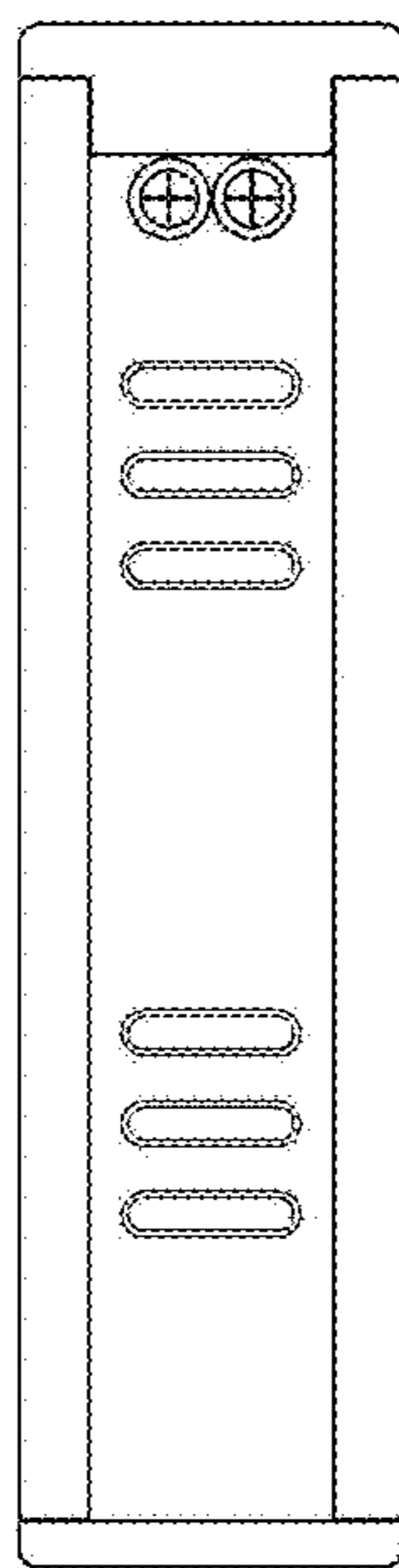


FIG. 3

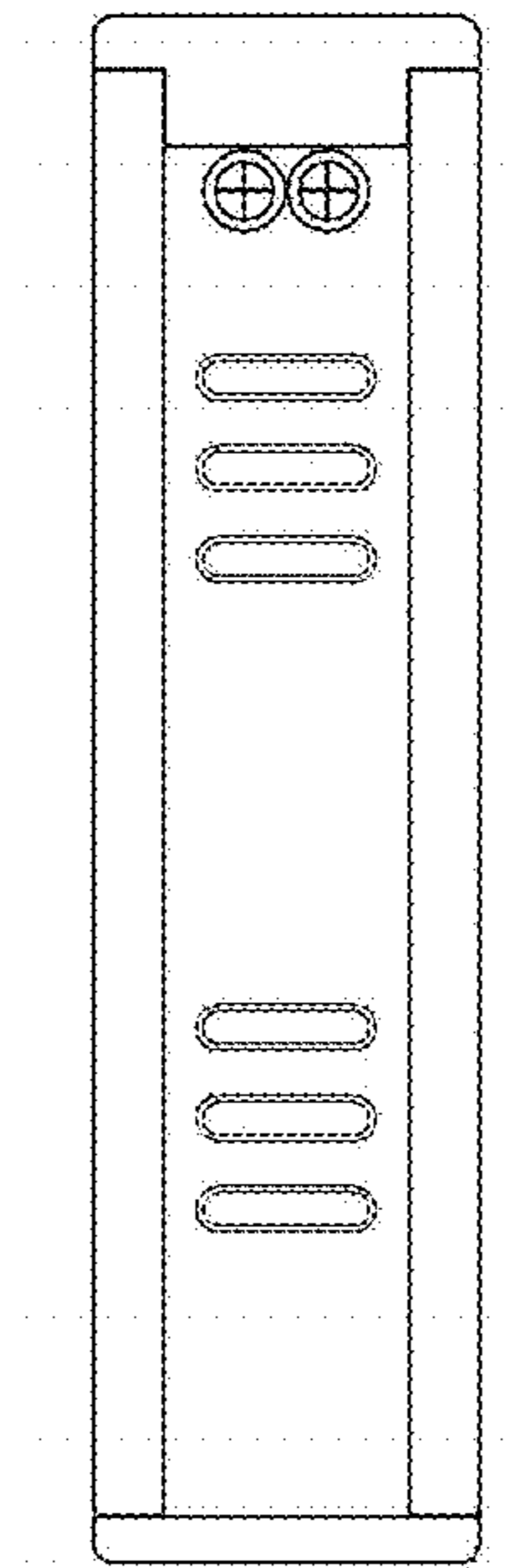


FIG. 4

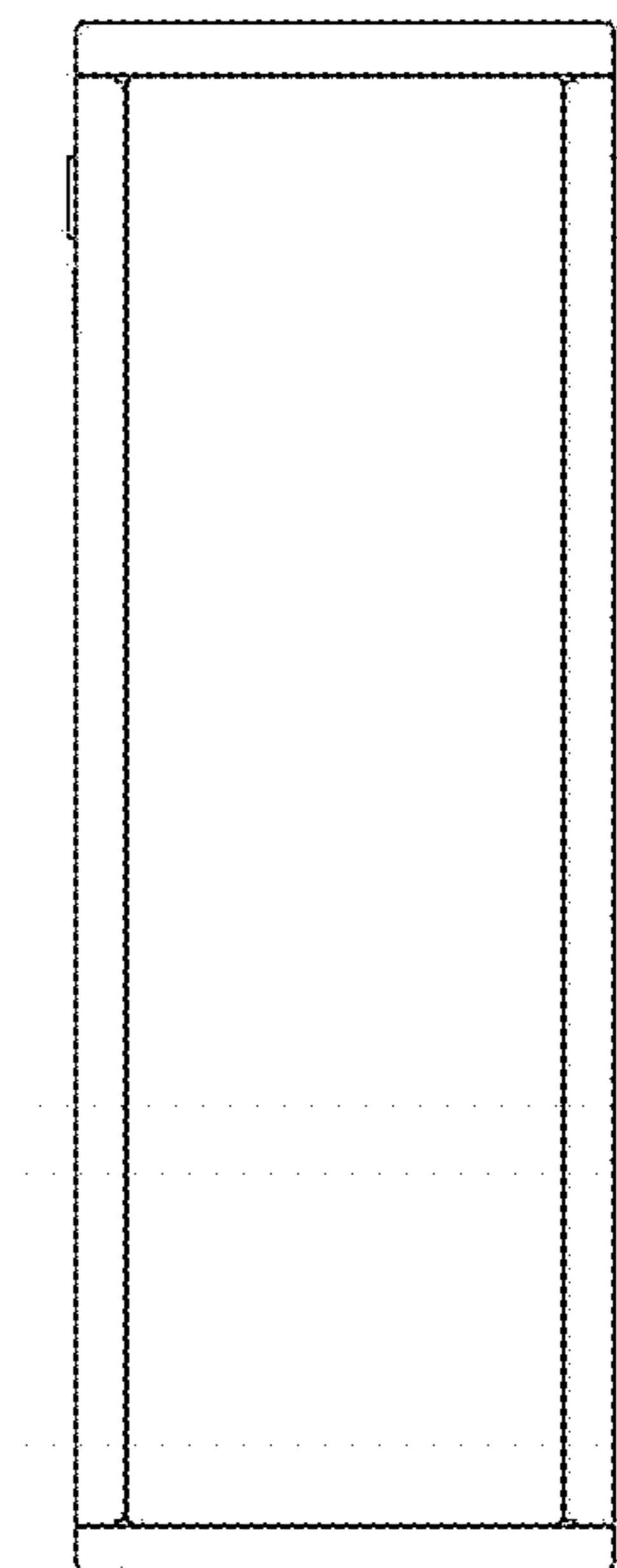


FIG. 5

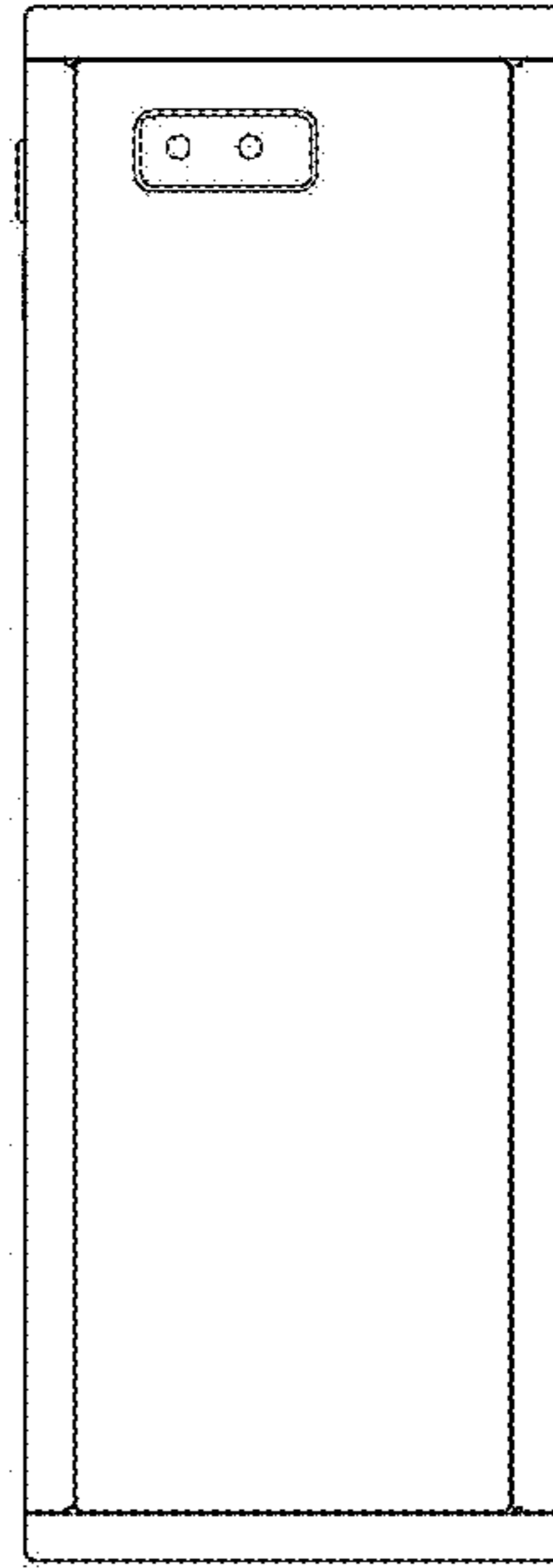


FIG. 6

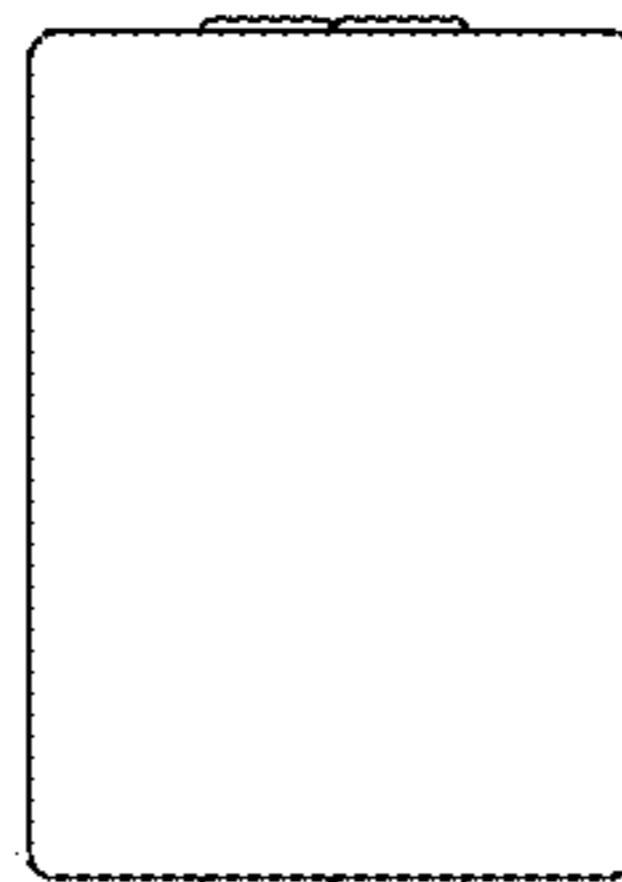
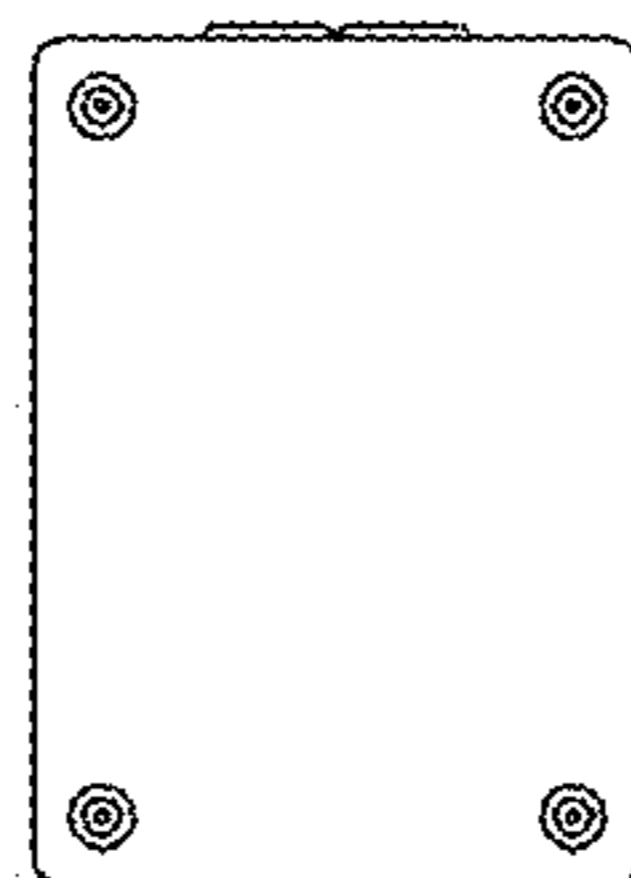


FIG. 7



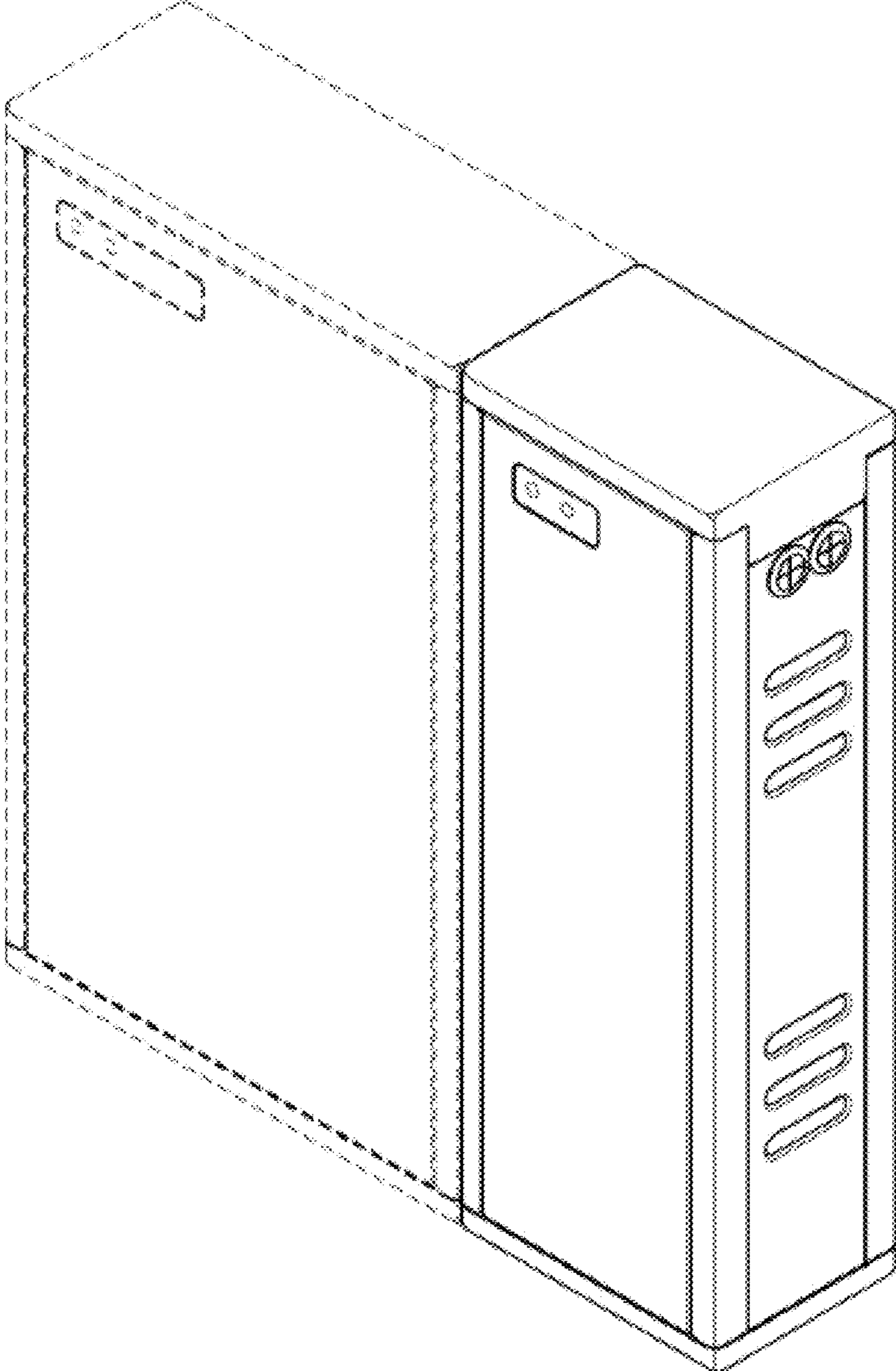


FIG. 8