



US00D768060S

(12) **United States Design Patent**
Sato

(10) **Patent No.:** **US D768,060 S**
(45) **Date of Patent:** **** Oct. 4, 2016**

- (54) **AUTOMOBILE TIRE**
- (71) Applicant: **TOYO TIRE & RUBBER CO., LTD.**,
Osaka-shi, Osaka (JP)
- (72) Inventor: **Yoshiki Sato**, Osaka (JP)
- (73) Assignee: **TOYO TIRE & RUBBER CO., LTD.**,
Osaka-shi (JP)
- (**) Term: **15 Years**
- (21) Appl. No.: **29/527,320**
- (22) Filed: **May 18, 2015**
- (30) **Foreign Application Priority Data**

- Feb. 20, 2015 (JP) 2015-003528
- (51) **LOC (10) Cl.** **12-15**
- (52) **U.S. Cl.**
USPC **D12/590**
- (58) **Field of Classification Search**
USPC D12/568-604, 900
CPC B60C 1/0016; B60C 11/0306; B60C
11/0302; B60C 3/06; B60C 9/17
See application file for complete search history.

(56) **References Cited**
U.S. PATENT DOCUMENTS

D377,330 S *	1/1997	Kakegawa	D12/601
D415,982 S *	11/1999	Consolacion	D12/601
D481,352 S *	10/2003	Hutz	D12/588
D593,937 S *	6/2009	Maxwell	D12/588
D624,488 S *	9/2010	Nakamura	D12/588

D662,461 S *	6/2012	Fu	D12/601
D713,330 S *	9/2014	Tomida	D12/588
D735,643 S *	8/2015	Fu	D12/584

FOREIGN PATENT DOCUMENTS

JP 1428116 S 6/2012

* cited by examiner

Primary Examiner — Robert M Spear

Assistant Examiner — John Voytek

(74) *Attorney, Agent, or Firm* — Westerman, Hattori,
Daniels & Adrian, LLP

(57) **CLAIM**

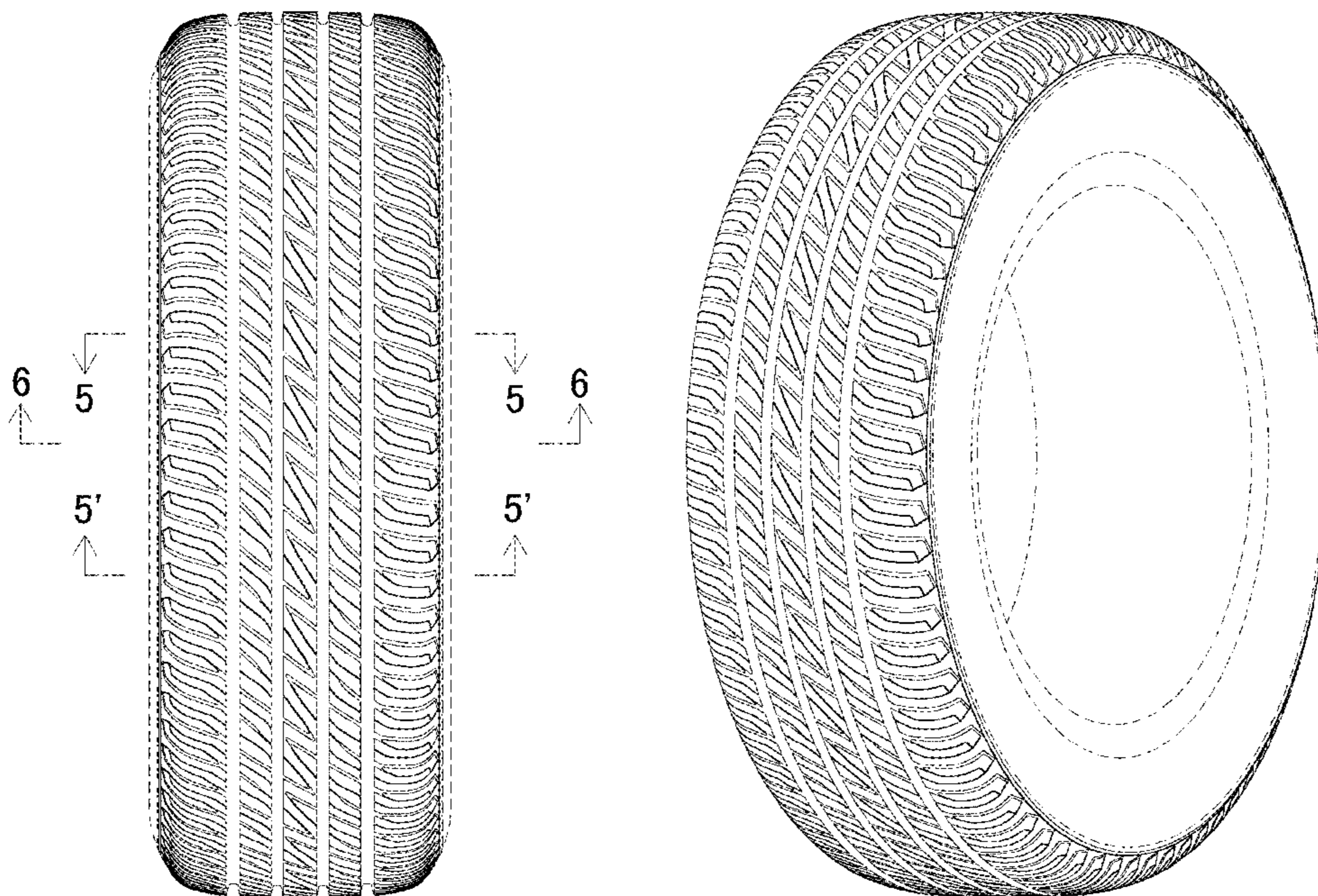
The ornamental design for an automobile tire, as shown and described.

DESCRIPTION

FIG. 1 is a front view of an automobile tire, for which the rear view is the same;
 FIG. 2 is a top plan view thereof, for which the bottom plan view is the same;
 FIG. 3 is a right side view thereof, for which the left-side view is the same;
 FIG. 4 is a perspective view thereof;
 FIG. 5 is an enlarged sectional view taken along line 5-5 and line 5'-5' in FIG. 1; and,
 FIG. 6 is an enlarged cross-sectional view taken along line 6-6 in FIG. 1, in the area designated by "6" in FIG. 3 thereof.

In the drawings, the broken lines defining the sidewall, inner bead and the peripheral boundary between the claimed tire tread and the unclaimed sidewall depict environmental subject matter that forms no part of the claimed design.

1 Claim, 6 Drawing Sheets



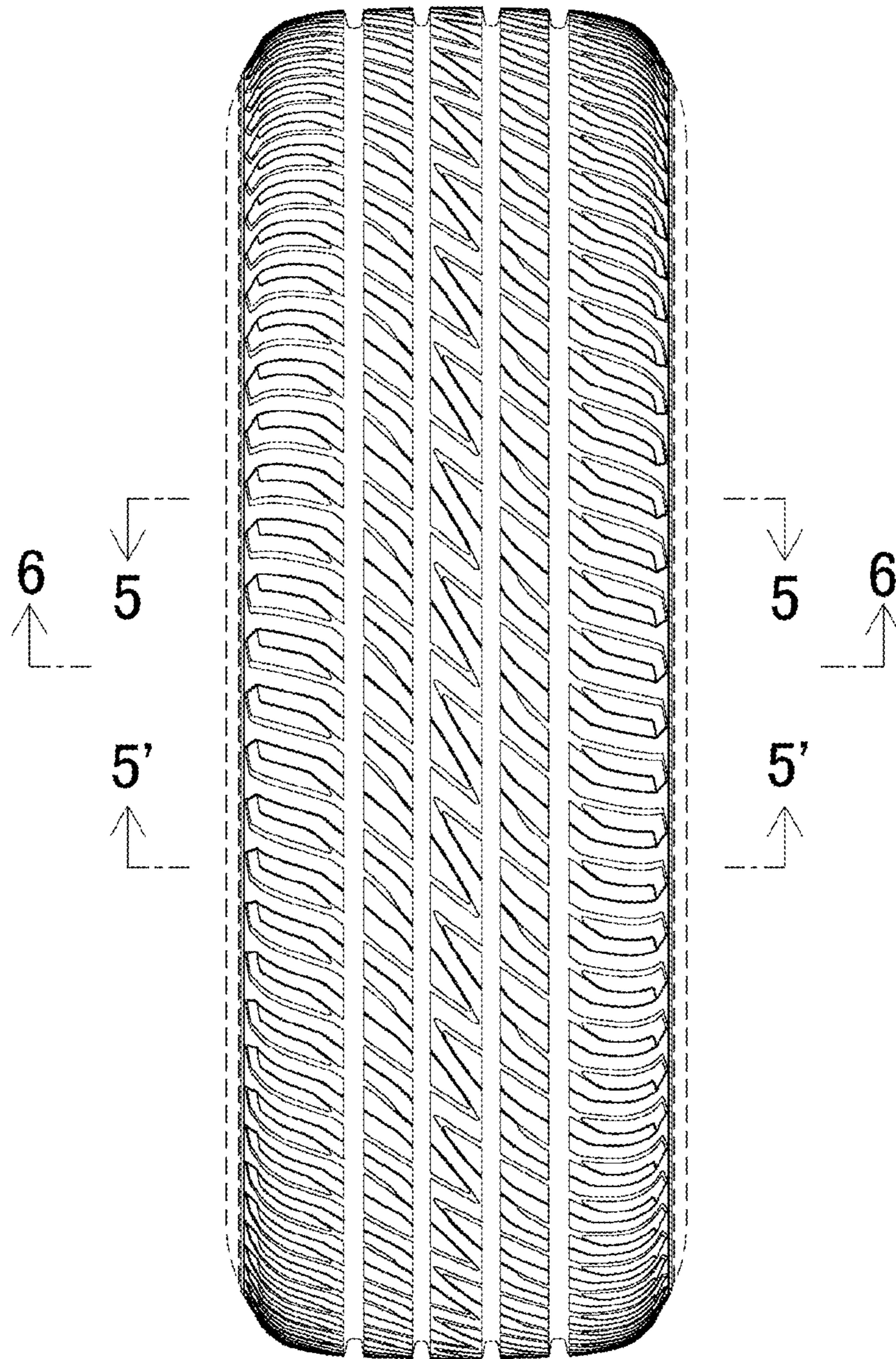


FIG. 1

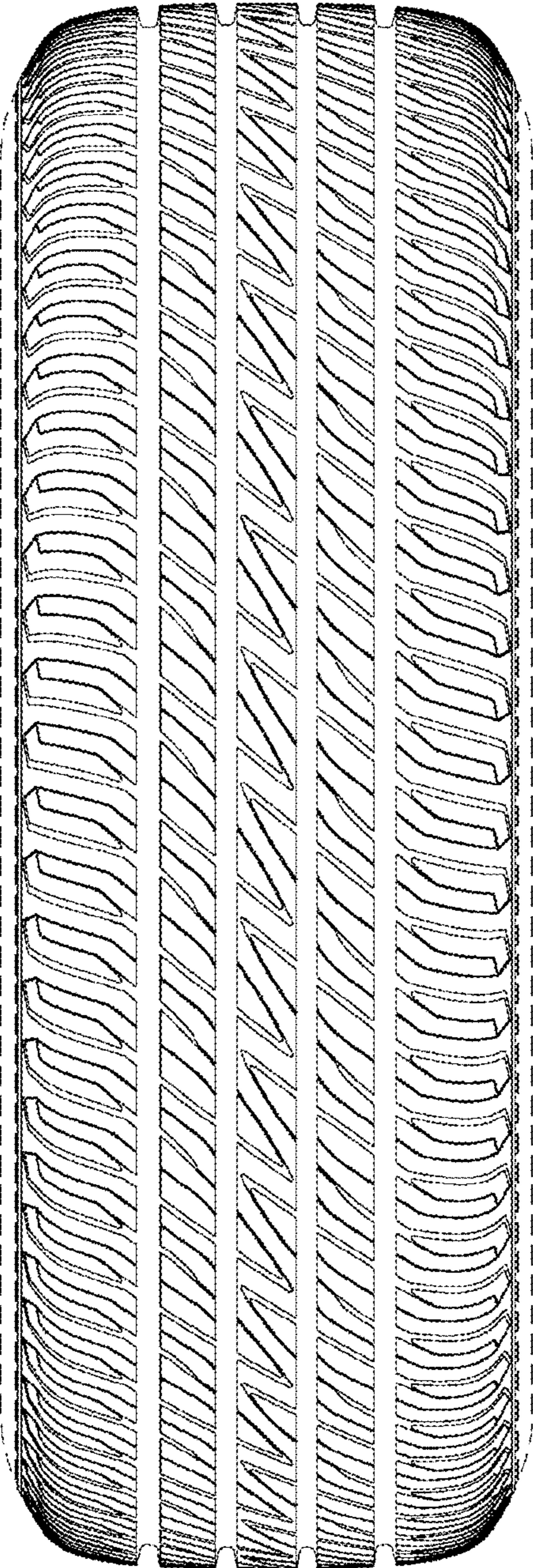
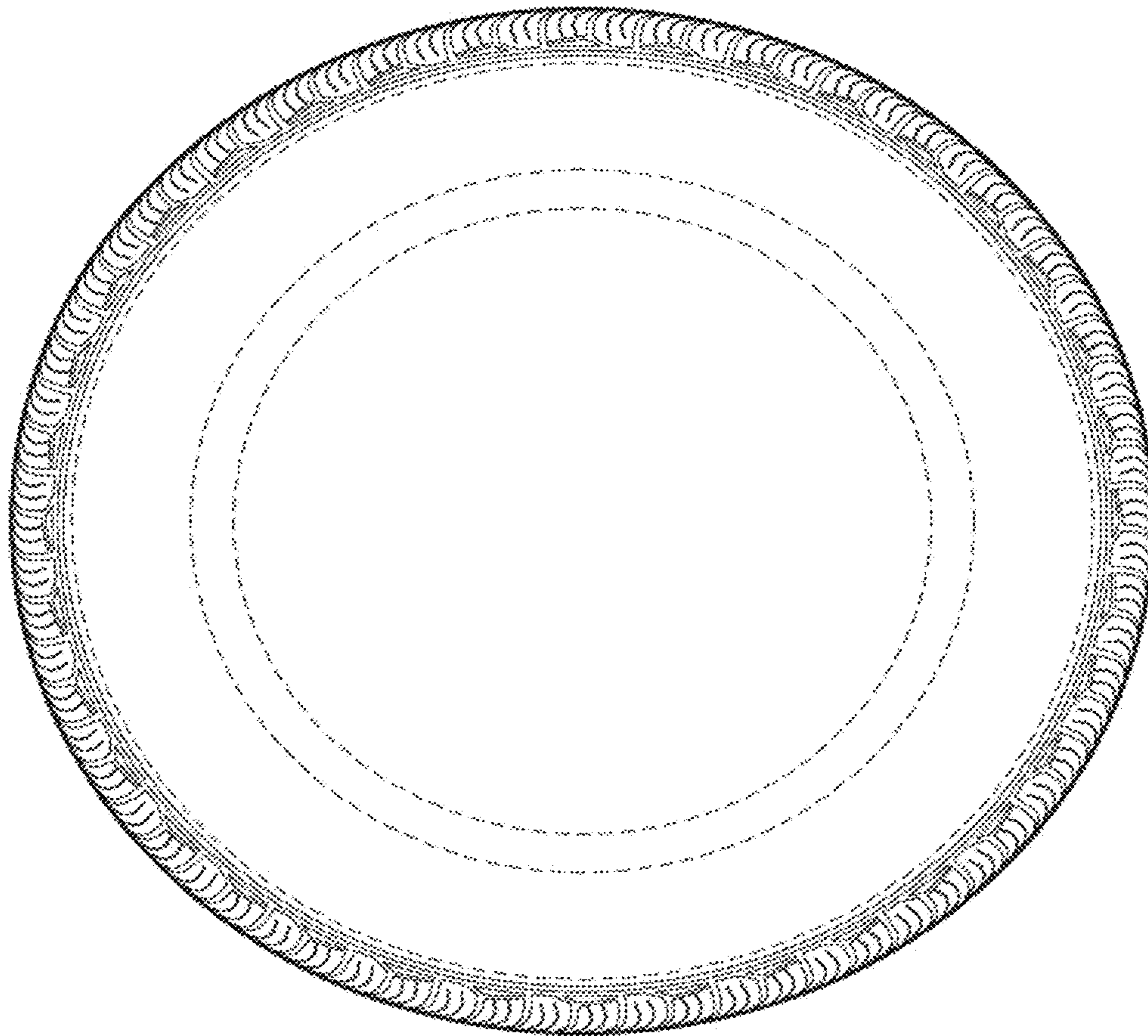


FIG.2

FIG.3



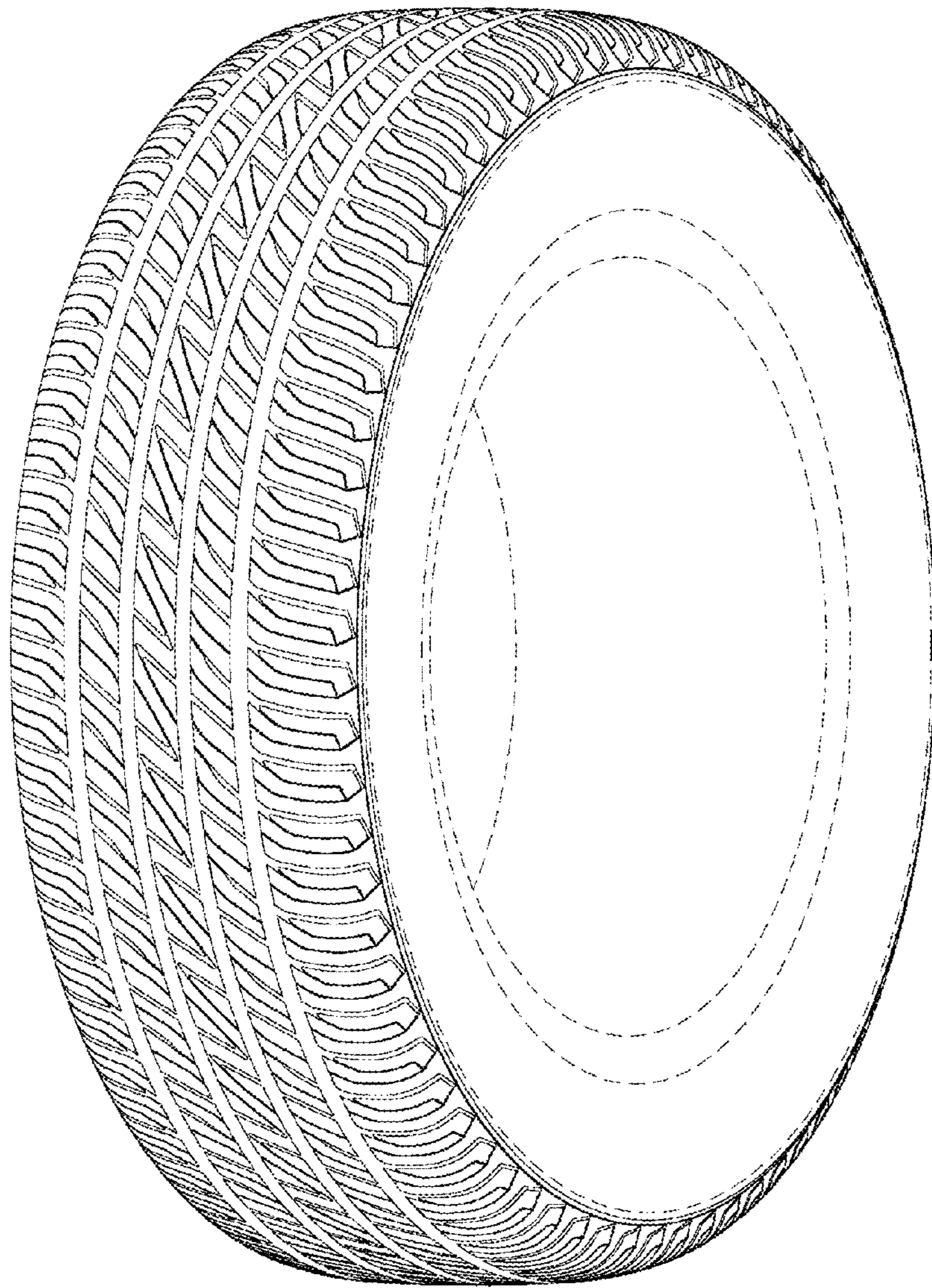


FIG.4

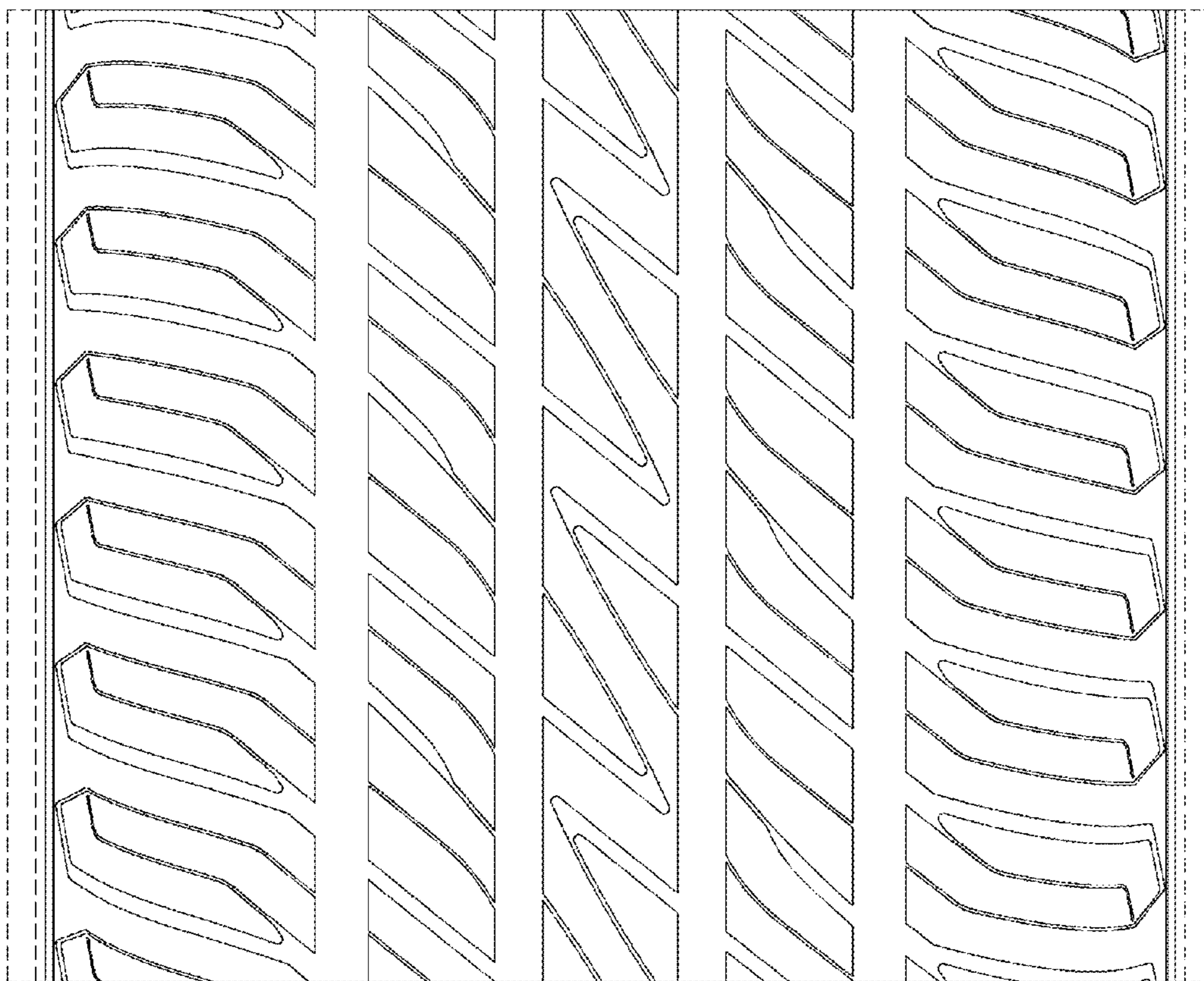


FIG.5

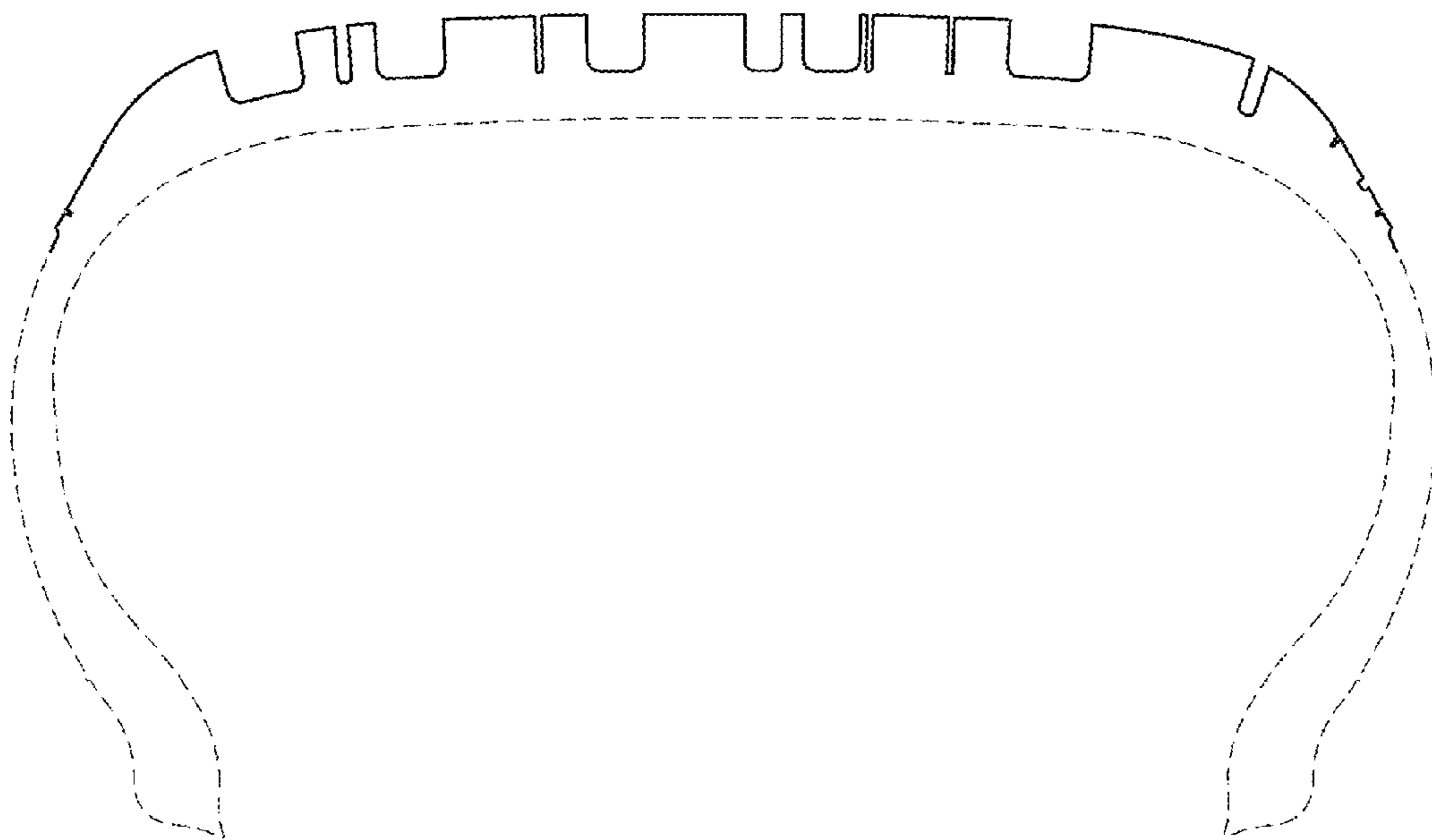


FIG.6