



US00D768050S

(12) **United States Design Patent**  
**Conrad**

(10) **Patent No.:** **US D768,050 S**  
(45) **Date of Patent:** **\*\* Oct. 4, 2016**

- (54) **LOWER RAIL FOR A WATERCRAFT**
- (71) Applicant: **Premier Marine, Inc.**, Wyoming, MN (US)
- (72) Inventor: **Kristie Conrad**, Cambridge, MN (US)
- (73) Assignee: **Premier Marine, Inc.**, Wyoming, MN (US)
- (\*\*) Term: **15 Years**

D415,075 S *	10/1999	Lan .....	D12/133
6,234,098 B1 *	5/2001	Biedenweg .....	B63B 3/48 114/61.1
D455,634 S	4/2002	Hummel et al.	
D499,494 S *	12/2004	Tjakra .....	D25/124
D509,906 S *	9/2005	Enersen .....	D25/38.1
D536,098 S	1/2007	Walker	
D560,823 S *	1/2008	Holland .....	D25/122
D610,715 S	2/2010	Koehn	
D661,813 S	6/2012	Walker	
D732,205 S	6/2015	Campbell et al.	
2007/0022938 A1 *	2/2007	Fishburn .....	B63B 17/04 114/364

- (21) Appl. No.: **29/526,833**
- (22) Filed: **May 13, 2015**
- (51) **LOC (10) Cl.** ..... **12-06**
- (52) **U.S. Cl.**  
USPC ..... **D12/317; D25/38.1**
- (58) **Field of Classification Search**  
USPC ..... D12/300-318; D25/38.1, 41.1, 124;  
114/61.1, 61.14, 61.2, 61.22, 61.24,  
114/343, 352, 355, 356, 357, 361, 364  
CPC ..... B63B 1/12; B63B 1/121; B63B 1/125;  
B63B 17/02; B63B 17/026; B63B 17/04  
See application file for complete search history.

\* cited by examiner

*Primary Examiner* — Cynthia M Chin  
(74) *Attorney, Agent, or Firm* — Winthrop & Weinstine, P.A.

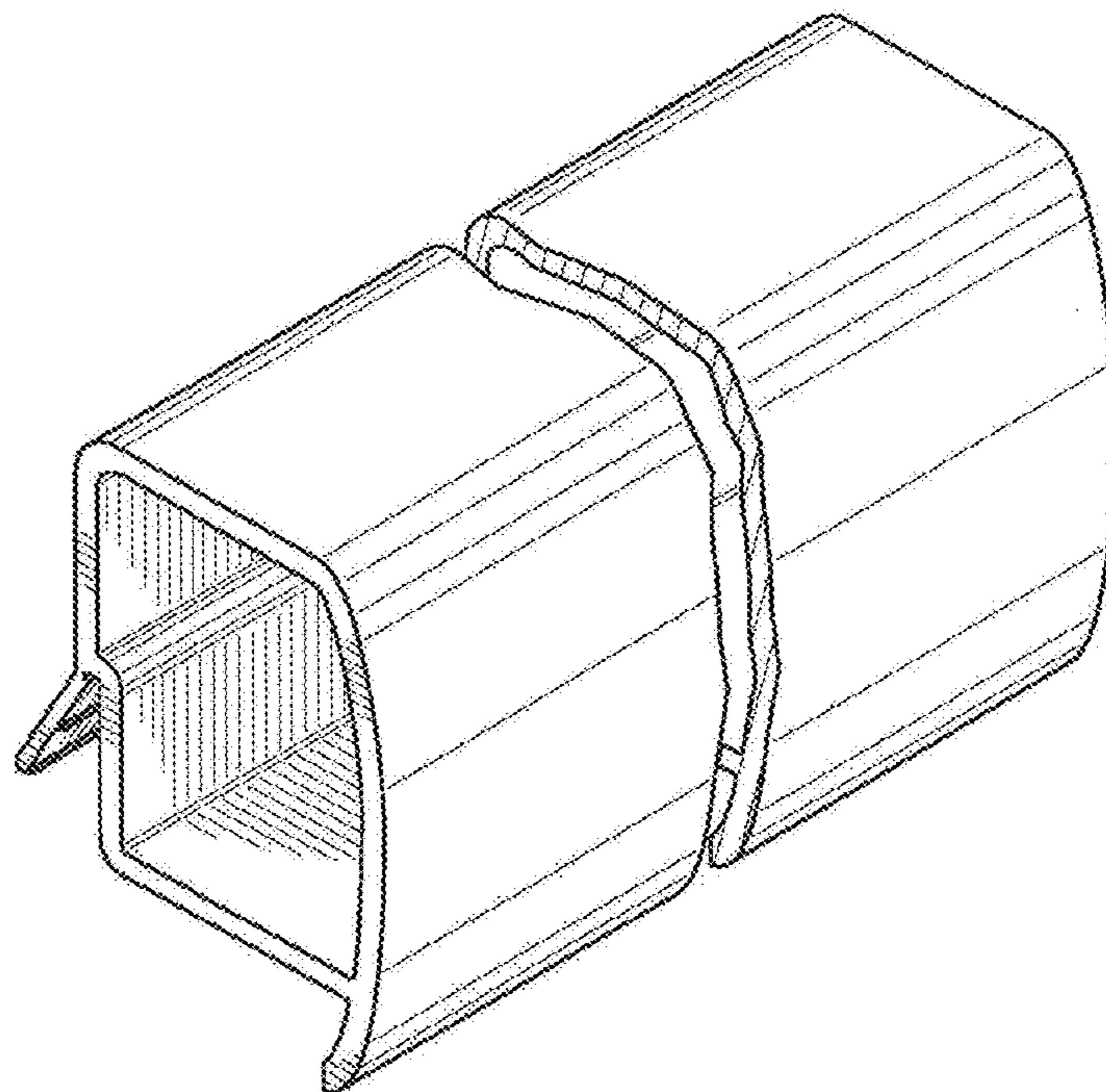
(57) **CLAIM**  
The ornamental design for a lower rail for a watercraft, as shown and described.

**DESCRIPTION**

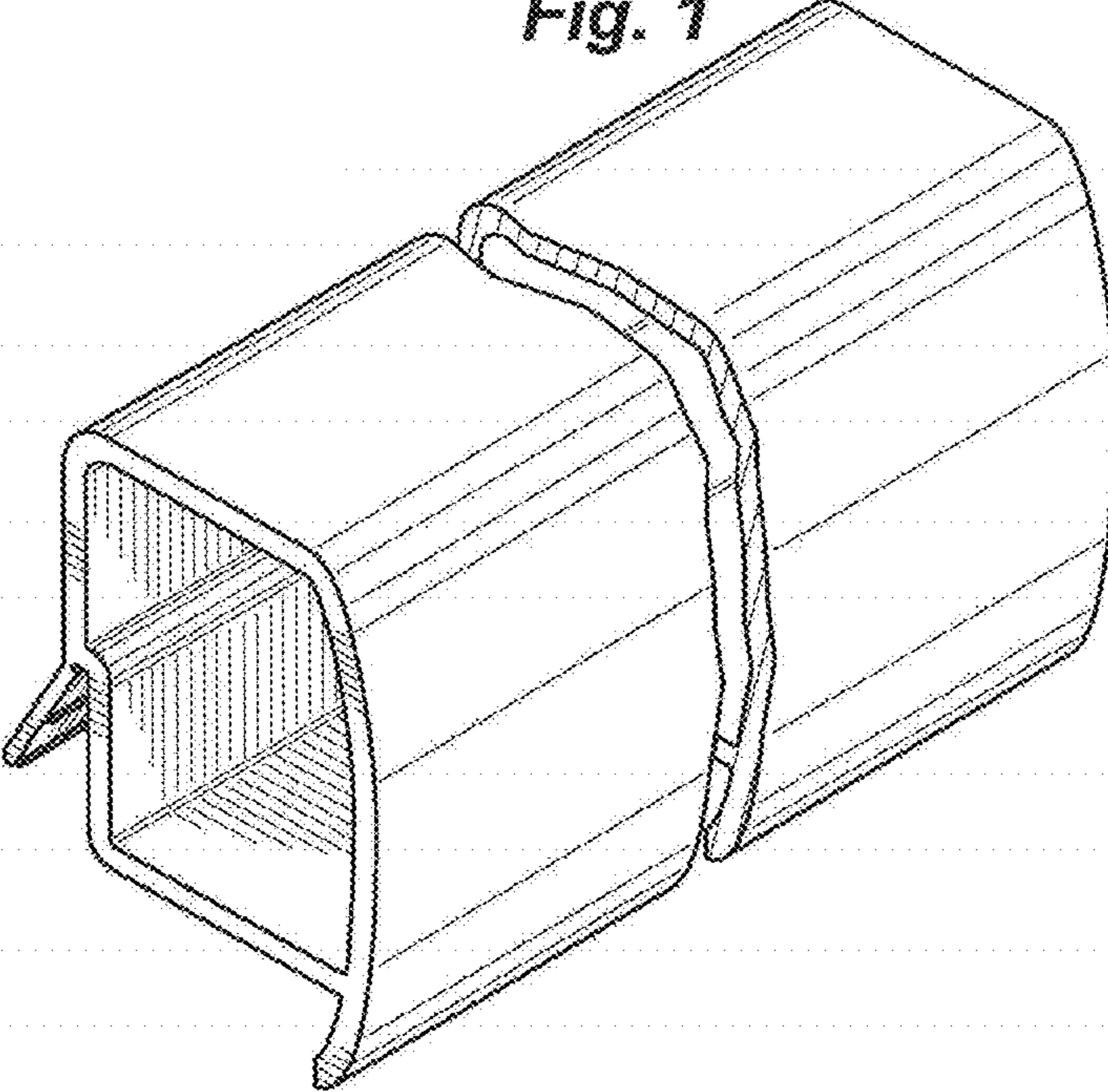
FIG. 1 is a perspective view of a lower rail for a watercraft; FIG. 2 is a cross-sectional/end view of FIG. 1; FIG. 3 is a cross-sectional/end view of FIG. 1 as viewed from opposite the view of FIG. 2; FIG. 4 is a front view of FIG. 1; FIG. 5 is a rear view of FIG. 1; FIG. 6 is a top view of FIG. 1; and, FIG. 7 is a bottom view of FIG. 1. The broken away symbols in the drawings indicate the appearance of any portion of the article between the break lines forms no part of the claimed design.

- (56) **References Cited**  
U.S. PATENT DOCUMENTS  
D258,279 S \* 2/1981 Moore ..... D12/302  
D335,353 S \* 5/1993 Baker ..... D25/38.1  
5,706,753 A \* 1/1998 Menne ..... B63B 17/02  
114/361  
5,706,754 A \* 1/1998 Menne, Jr. .... B63B 17/04  
114/364

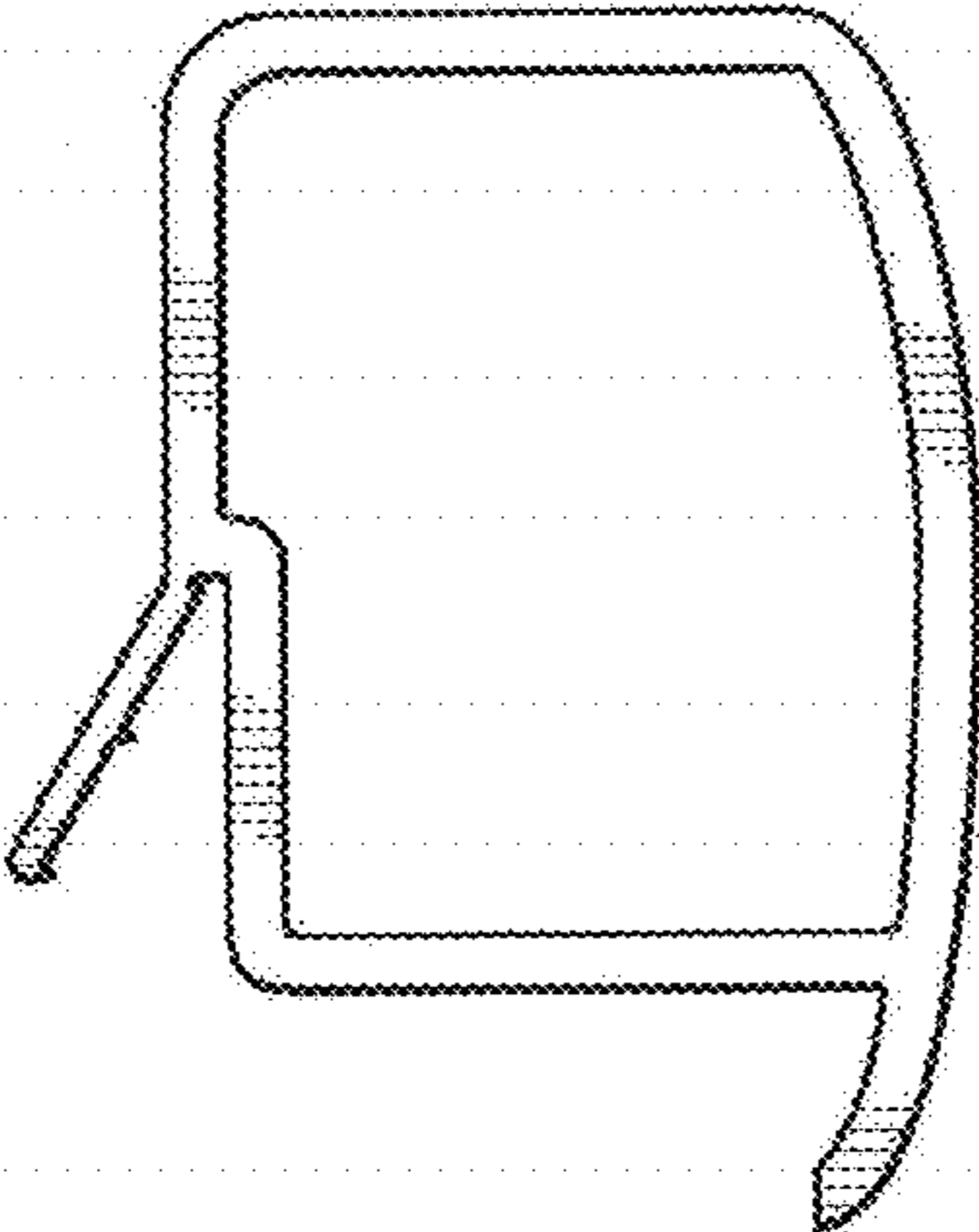
**1 Claim, 3 Drawing Sheets**



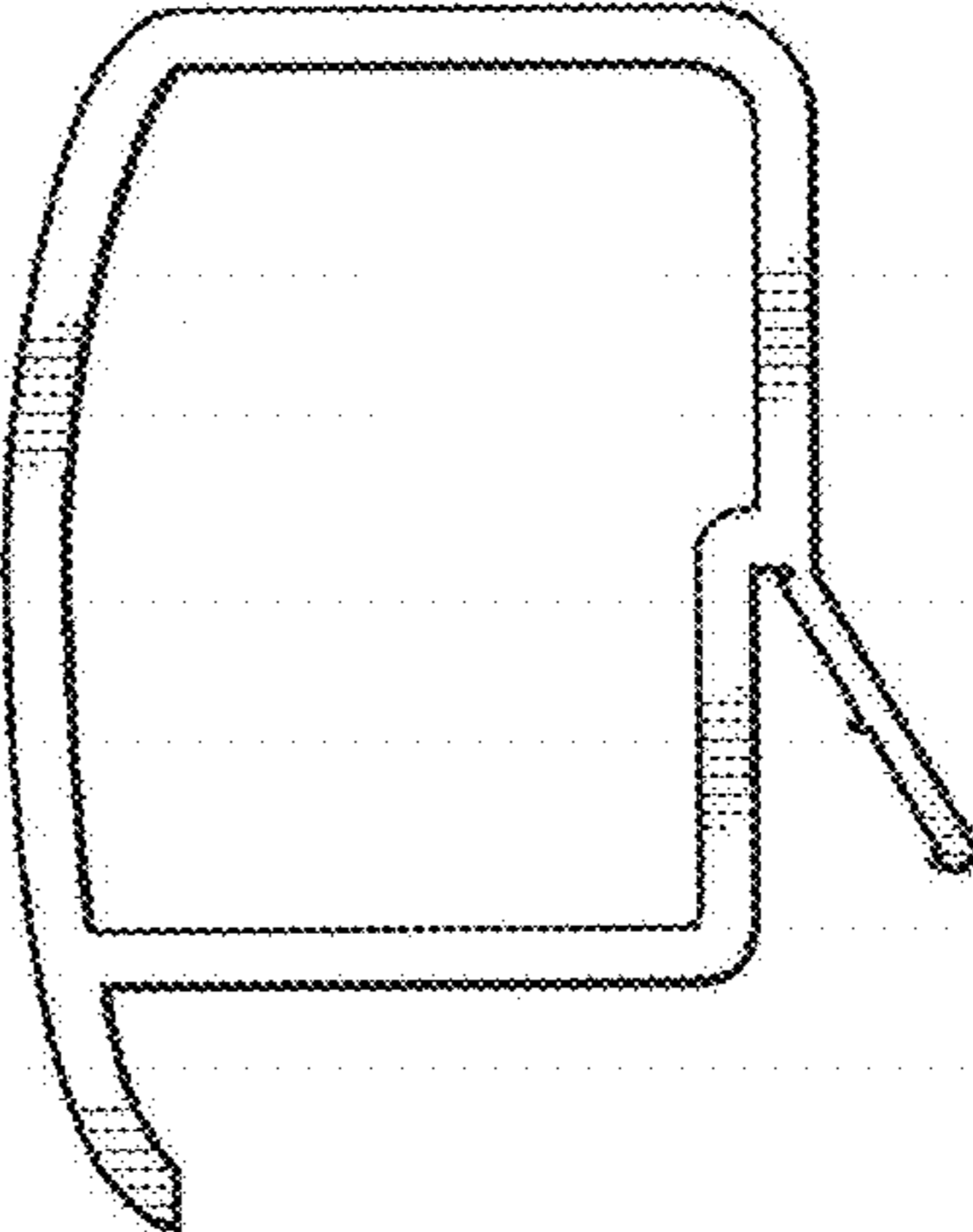
*Fig. 1*



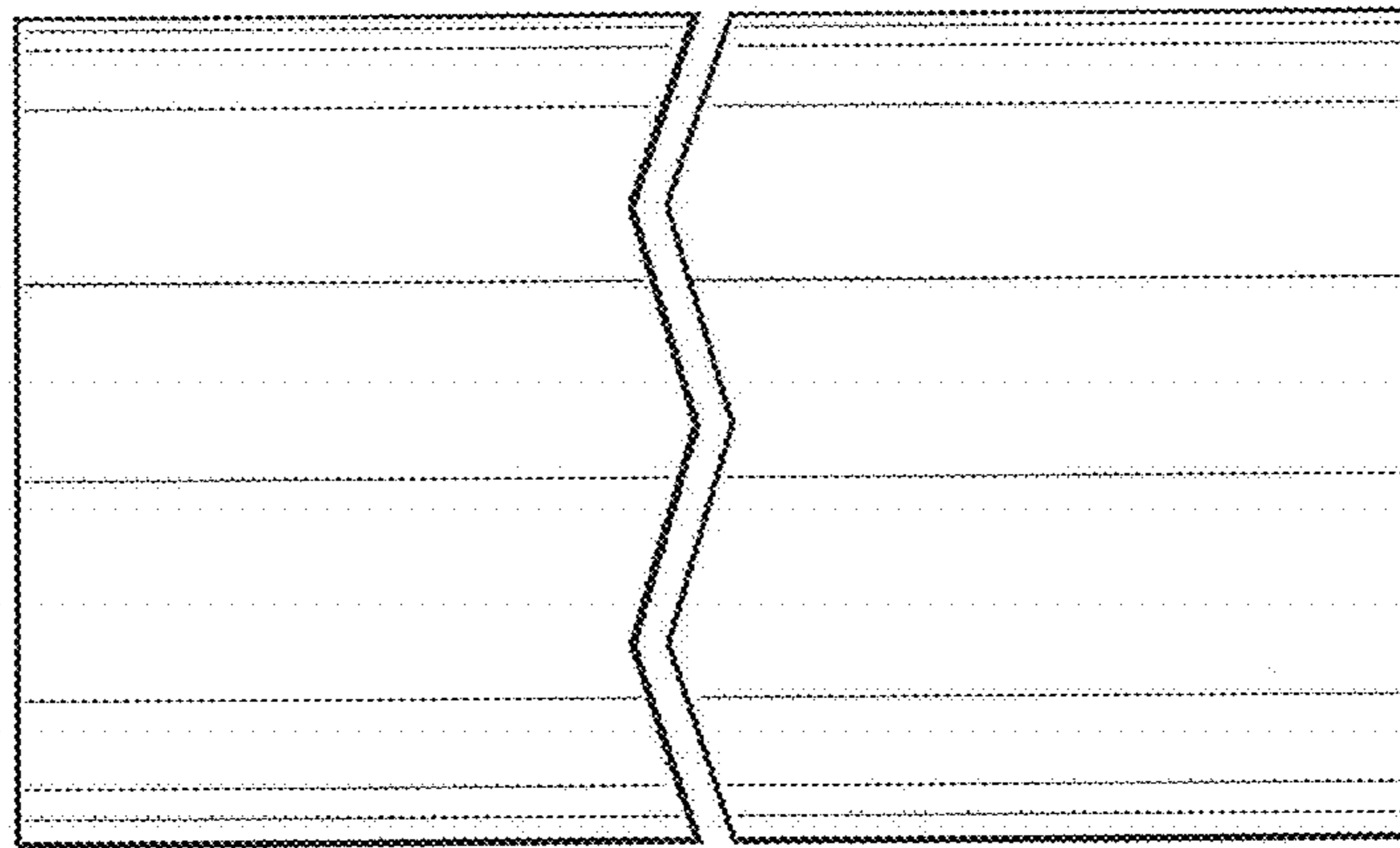
*Fig. 2*



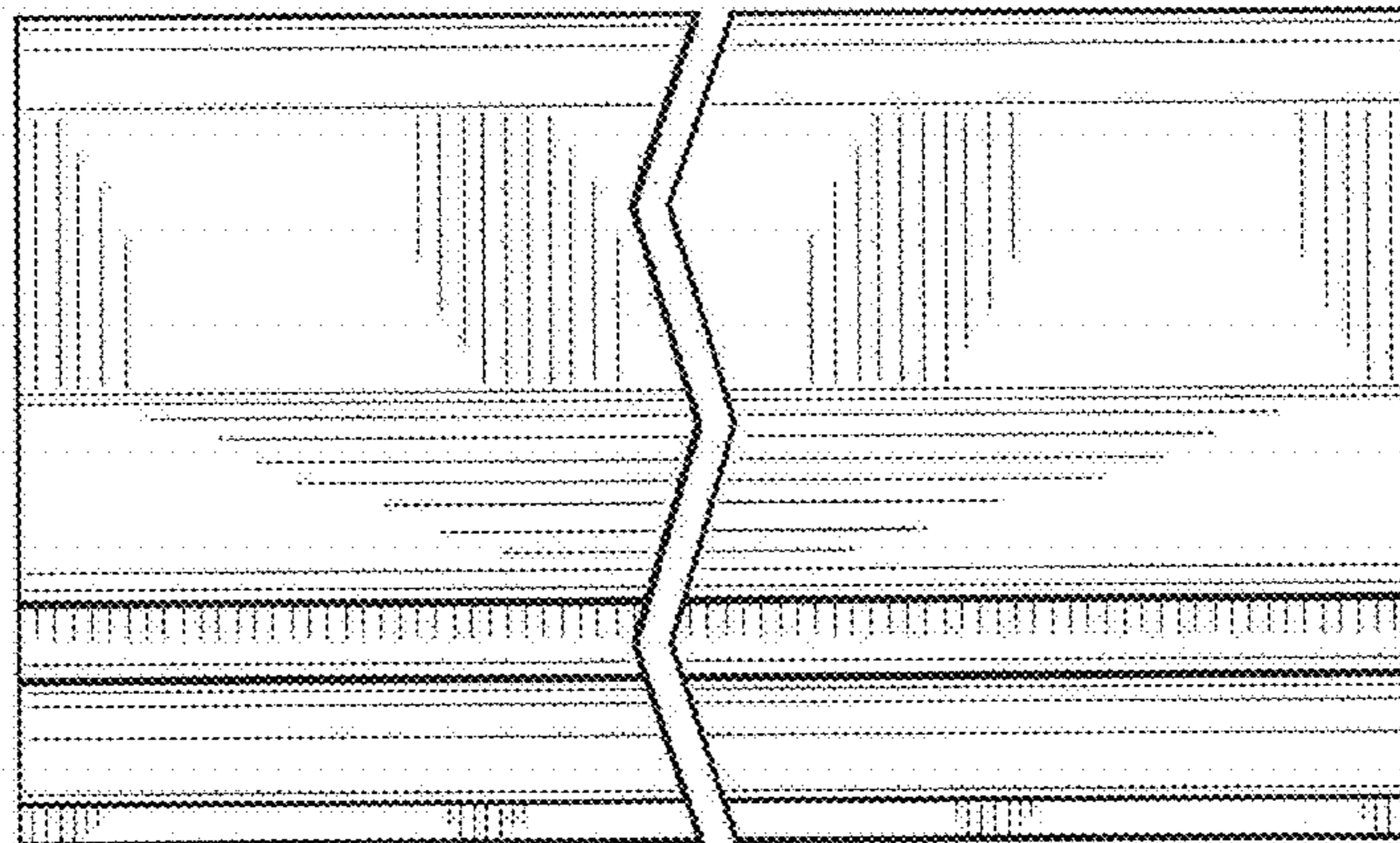
*Fig. 3*



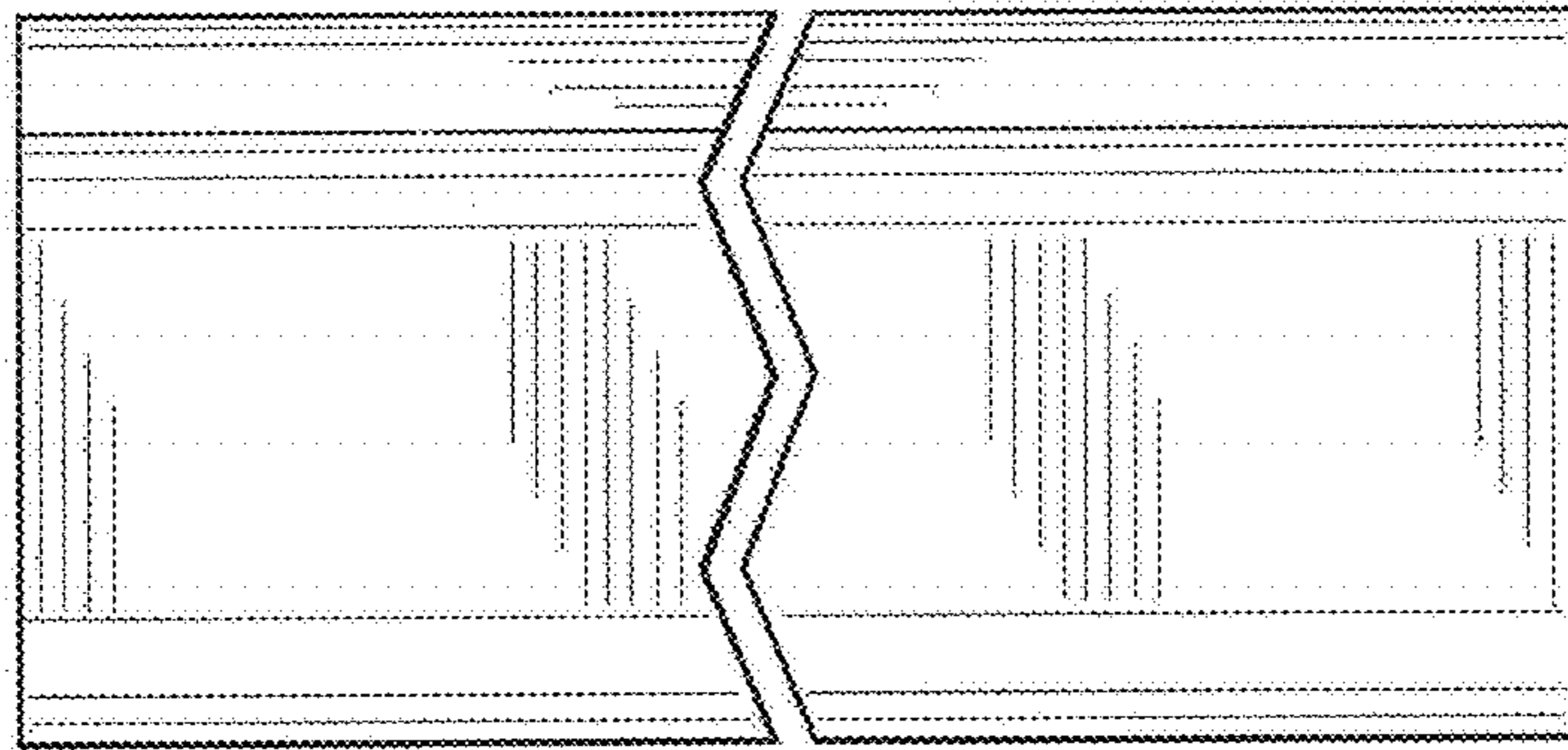
**Fig. 4**



**Fig. 5**



*Fig. 6*



*Fig. 7*

