

US00D768048S

(12) **United States Design Patent**  
**Johnson**

(10) **Patent No.:** **US D768,048 S**

(45) **Date of Patent:** **\*\* Oct. 4, 2016**

(54) **AUTOMOTIVE WHEEL**

(71) Applicant: **Kelly R. Johnson**, City of Industry, CA (US)

(72) Inventor: **Kelly R. Johnson**, City of Industry, CA (US)

(73) Assignee: **THE WHEEL GROUP**, City of Industry, CA (US)

(\*\*) Term: **15 Years**

(21) Appl. No.: **29/533,338**

(22) Filed: **Jul. 16, 2015**

(51) **LOC (10) Cl.** ..... **12-16**

(52) **U.S. Cl.**  
USPC ..... **D12/211**

(58) **Field of Classification Search**  
USPC ..... D12/204–213  
CPC ..... B60B 7/00; B60B 7/02; B60B 7/04;  
B60B 7/01; B60B 7/06; B60B 3/02; B60B  
3/04; B60B 3/06; B60B 3/10; B60B 1/00;  
B60B 1/08; B60B 1/10; B60B 1/12  
See application file for complete search history.

(56) **References Cited**

**U.S. PATENT DOCUMENTS**

D421,953 S	*	3/2000	Sims	.....	D12/211
D432,071 S	*	10/2000	Brown	.....	D12/211
D479,178 S	*	9/2003	Lai	.....	D12/211
D499,686 S	*	12/2004	Song	.....	D12/211

D500,005 S	*	12/2004	van Hooydonk	.....	D12/211
D516,001 S	*	2/2006	Tirado	.....	D12/209
D526,947 S	*	8/2006	Kim	.....	D12/209
D526,948 S	*	8/2006	Truebsbach	.....	D12/211
D541,724 S	*	5/2007	Gallert	.....	D12/211
D567,738 S	*	4/2008	Habib	.....	D12/211
D583,742 S	*	12/2008	Juergens	.....	D12/211
D617,719 S	*	6/2010	Zhao	.....	D12/211
D622,649 S	*	8/2010	Weil	.....	D12/209
D635,499 S	*	4/2011	Nissl	.....	D12/211
D667,769 S	*	9/2012	Pollmann	.....	D12/209
D671,480 S	*	11/2012	Cepkova	.....	D12/209
D697,011 S	*	1/2014	Kang	.....	D12/209
D712,331 S	*	9/2014	Breyton	.....	D12/209
D720,675 S	*	1/2015	Garbas	.....	D12/209
D721,316 S	*	1/2015	Amezketta	.....	D12/209
D723,996 S	*	3/2015	Zhao	.....	D12/211
D733,633 S	*	7/2015	Gardavsky	.....	D12/211
D748,032 S	*	1/2016	Peplowski	.....	D12/209
D751,488 S	*	3/2016	Zhao	.....	D12/211

\* cited by examiner

*Primary Examiner* — Stacia Cadmus

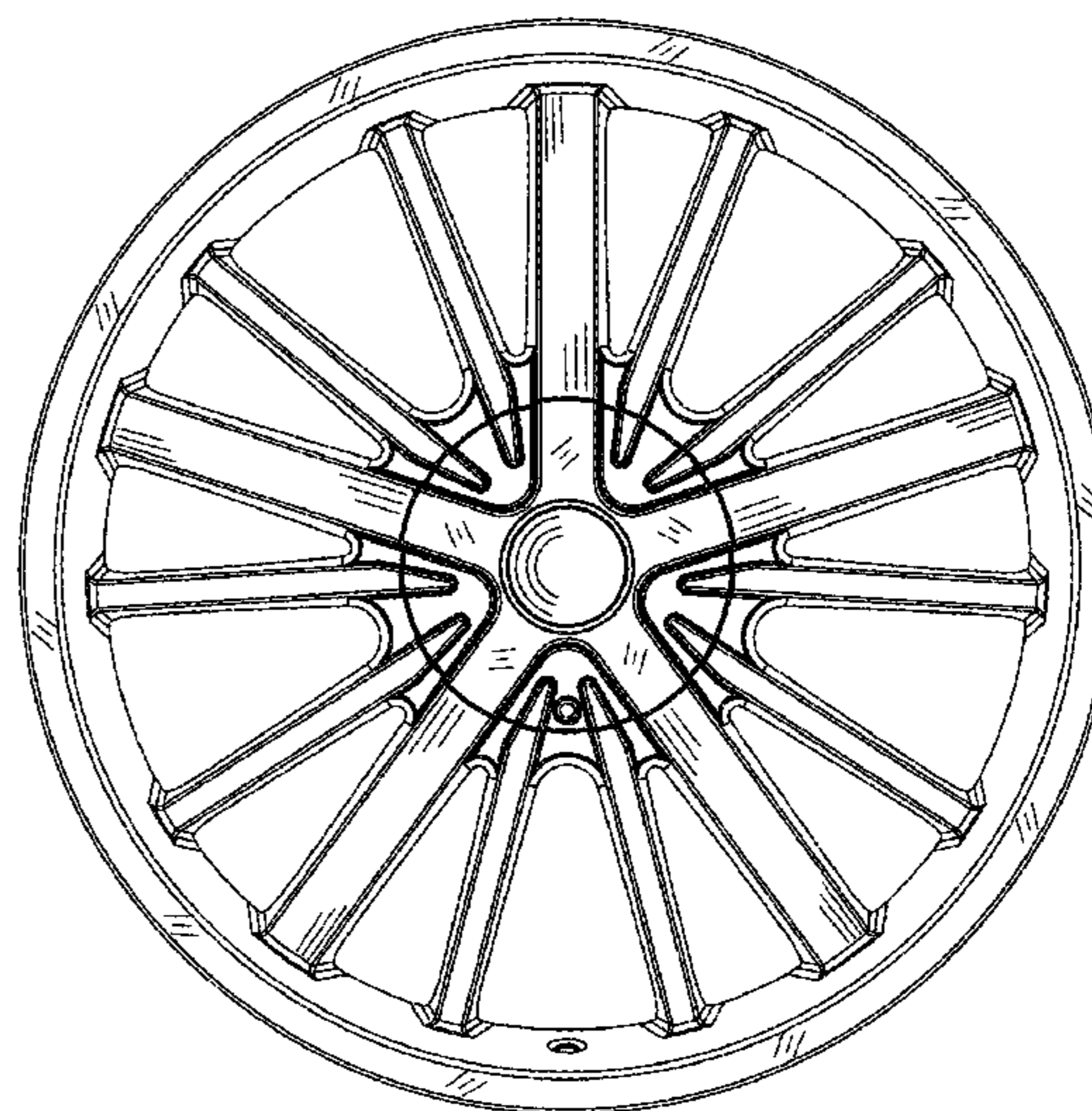
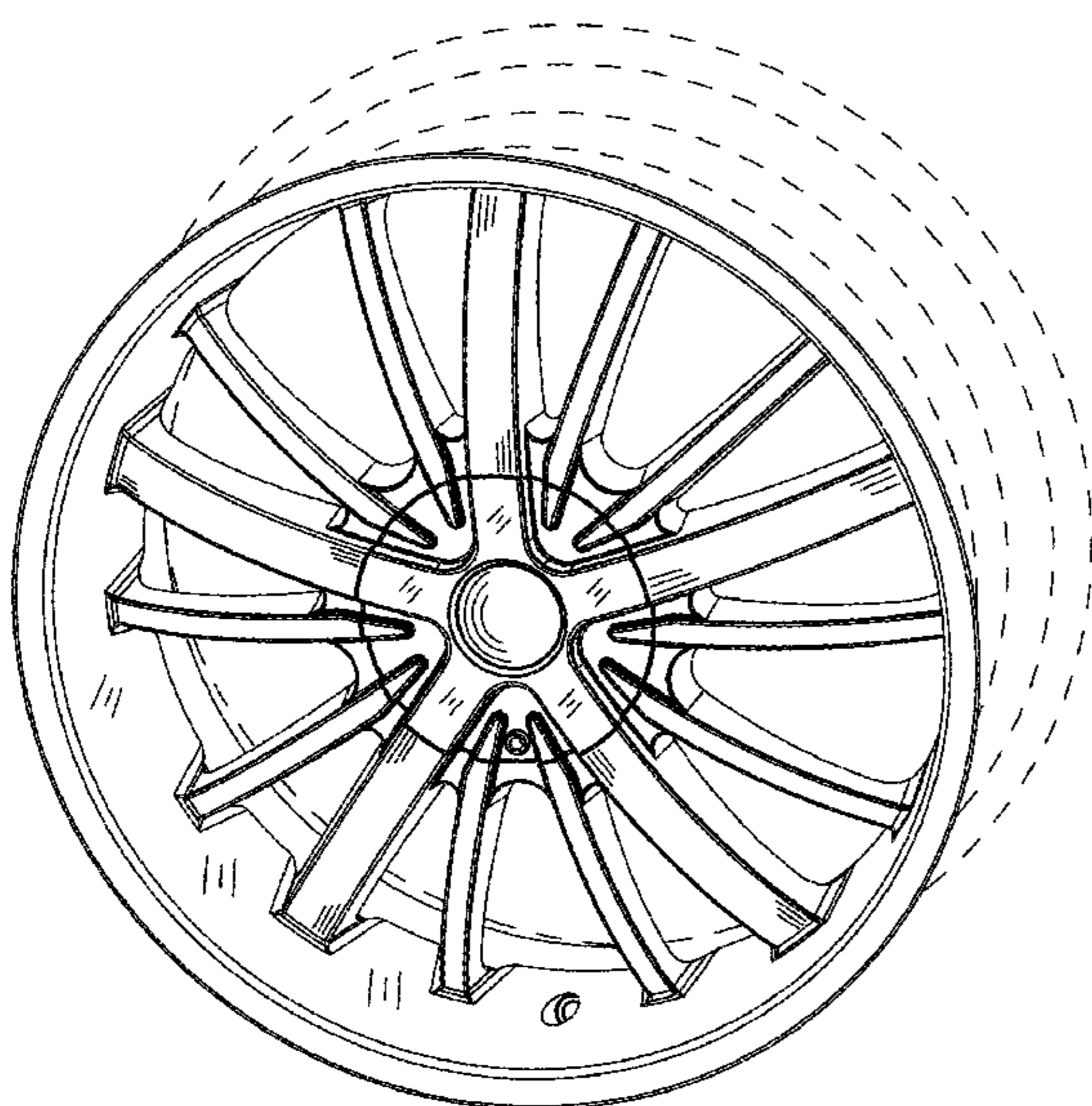
(57) **CLAIM**

The ornamental design for an automotive wheel, as show and described.

**DESCRIPTION**

FIG. 1 is a perspective view of an automotive wheel showing my new design; and, FIG. 2 is a front elevational view thereof. The broken line showing of the rear portion of the rim is included for the purpose of illustrating environment and forms no part of the claimed design.

**1 Claim, 2 Drawing Sheets**



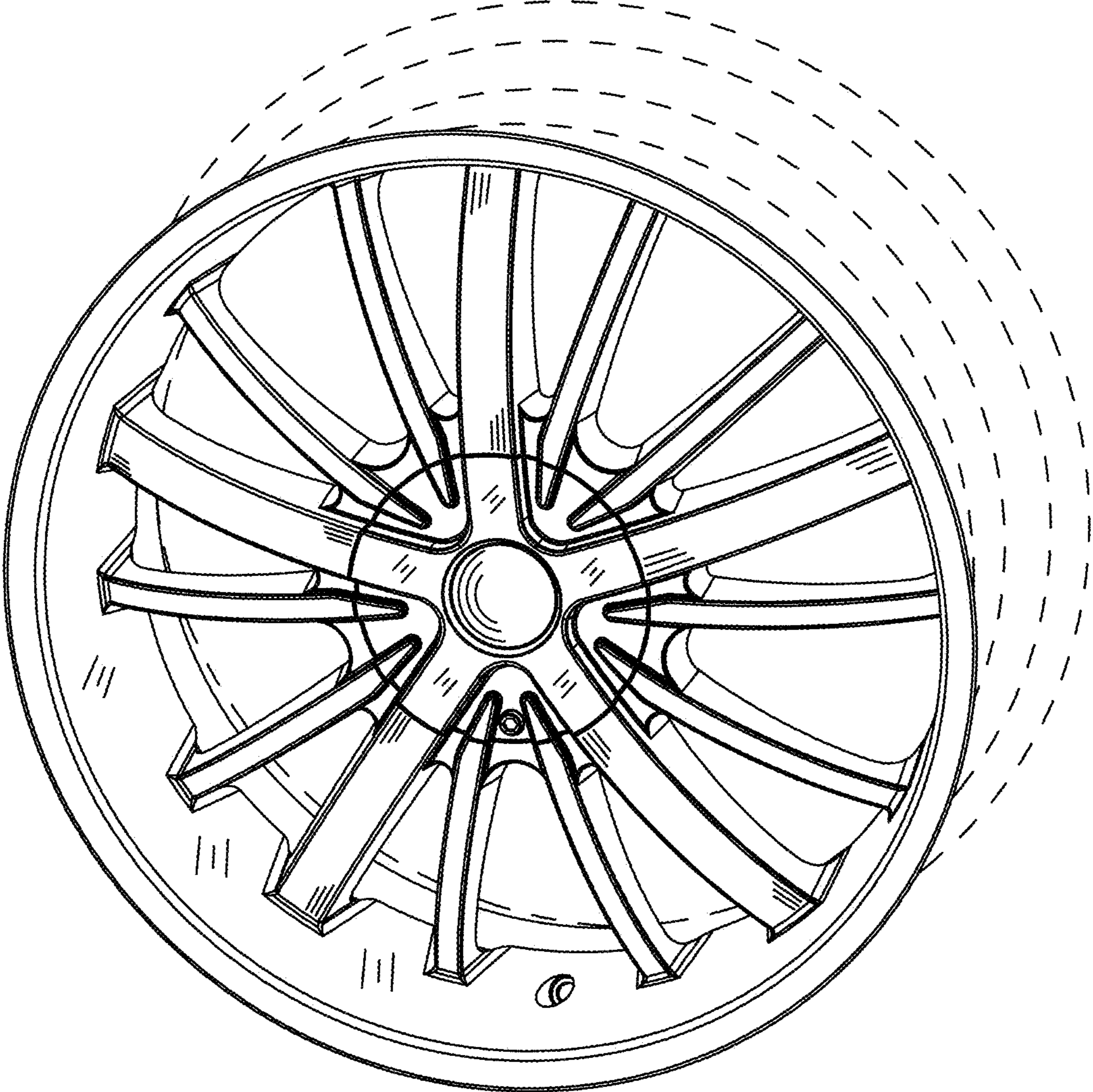


FIG.1



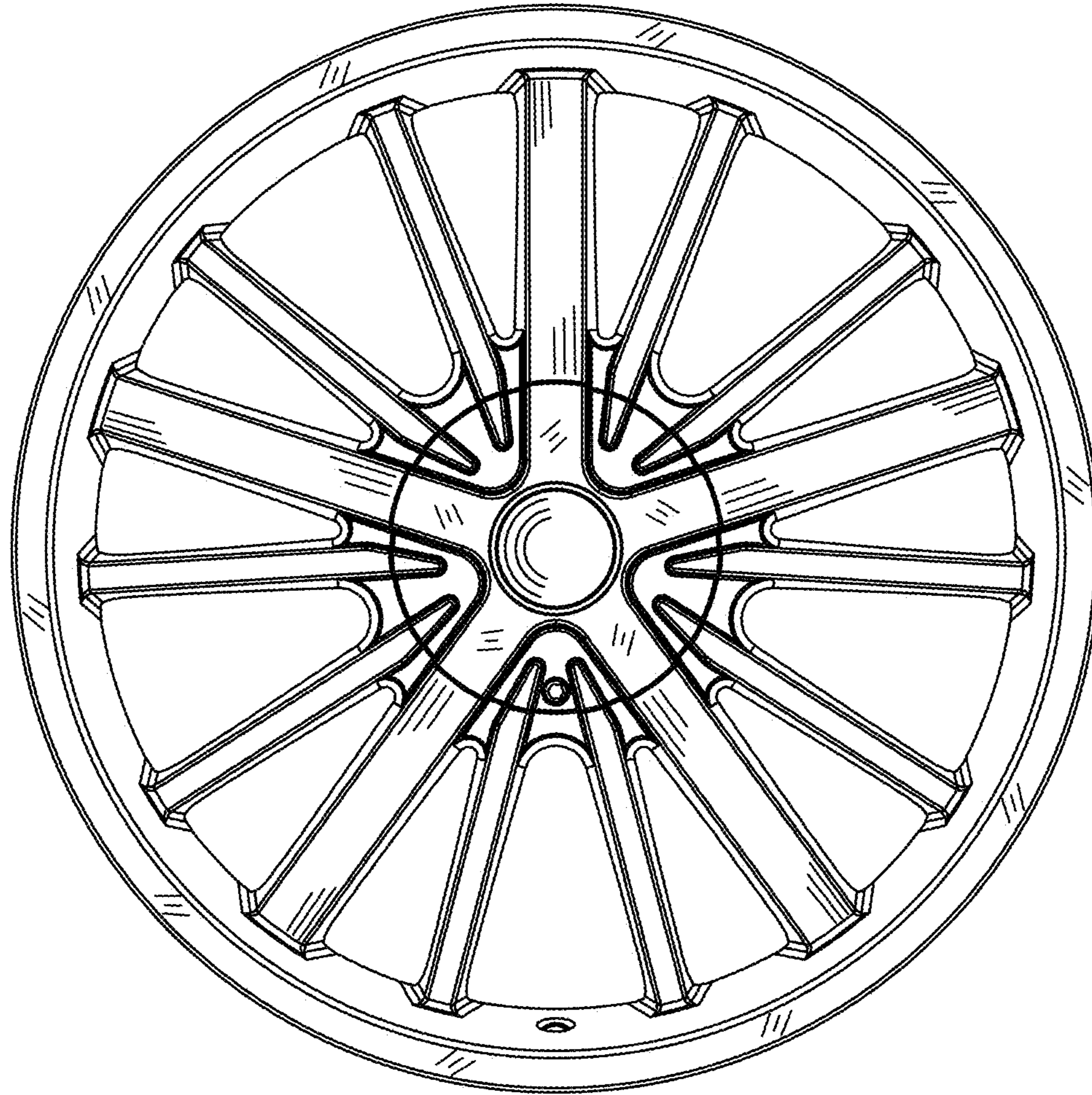


FIG. 2