



US00D768047S

(12) **United States Design Patent**  
**Hans et al.**

(10) **Patent No.:** **US D768,047 S**

(45) **Date of Patent:** **\*\* Oct. 4, 2016**

(54) **WHEEL OR WHEEL COVER**

(71) Applicant: **Daimler AG**, Stuttgart (DE)

(72) Inventors: **Bernhard Hans**, Kirchberg (DE);  
**Markus Wachter**,  
Ludwigsburg-Ossweil (DE)

(73) Assignee: **Daimler AG**, Stuttgart (DE)

(\*\*) Term: **14 Years**

(21) Appl. No.: **29/515,875**

(22) Filed: **Jan. 28, 2015**

(30) **Foreign Application Priority Data**

Jul. 31, 2014 (EM) ..... 002512251-0004

(51) **LOC (10) Cl.** ..... **12-16**

(52) **U.S. Cl.**  
USPC ..... **D12/211**

(58) **Field of Classification Search**  
USPC ..... D12/204–213  
CPC ..... B60B 7/00; B60B 7/02; B60B 7/04;  
B60B 7/01; B60B 7/06; B60B 3/02; B60B  
3/04; B60B 3/06; B60B 3/10; B60B 1/00;  
B60B 1/08; B60B 1/10; B60B 1/12

See application file for complete search history.

(56) **References Cited**

**U.S. PATENT DOCUMENTS**

D450,649 S \* 11/2001 Penzes ..... D12/211  
D457,478 S \* 5/2002 Minamisawa ..... D12/211

D510,554 S \* 10/2005 Markefka ..... D12/211  
D626,053 S \* 10/2010 Groom ..... D12/211  
D649,923 S \* 12/2011 Hans ..... D12/211  
D655,663 S \* 3/2012 Zhao ..... D12/211  
D666,957 S \* 9/2012 Antoniadis ..... D12/211  
D670,630 S \* 11/2012 Flueckiger ..... D12/209  
D670,632 S \* 11/2012 Schweizer ..... D12/211  
D689,809 S \* 9/2013 Kim ..... D12/209  
D726,626 S \* 4/2015 Mays ..... D12/211  
D731,389 S \* 6/2015 Gotschke ..... D12/211  
D737,190 S \* 8/2015 Kern ..... D12/211  
D748,558 S \* 2/2016 Hans ..... D12/211  
D749,029 S \* 2/2016 Wheel ..... D12/211  
D751,019 S \* 3/2016 Behmer ..... D12/211  
D753,574 S \* 4/2016 Mielke ..... D12/211

\* cited by examiner

*Primary Examiner* — Stacia Cadmus

(74) *Attorney, Agent, or Firm* — Crowell & Moring LLP

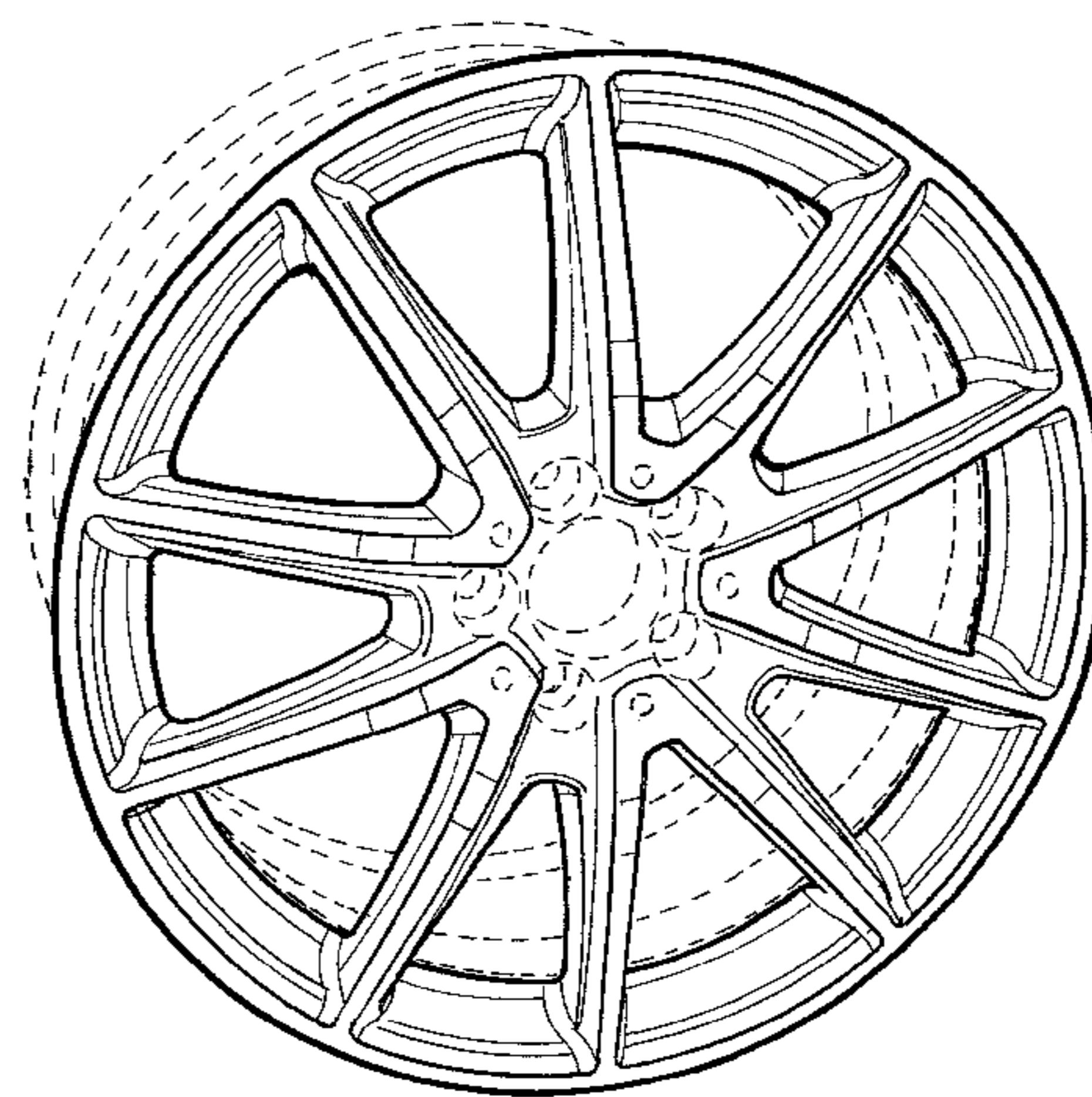
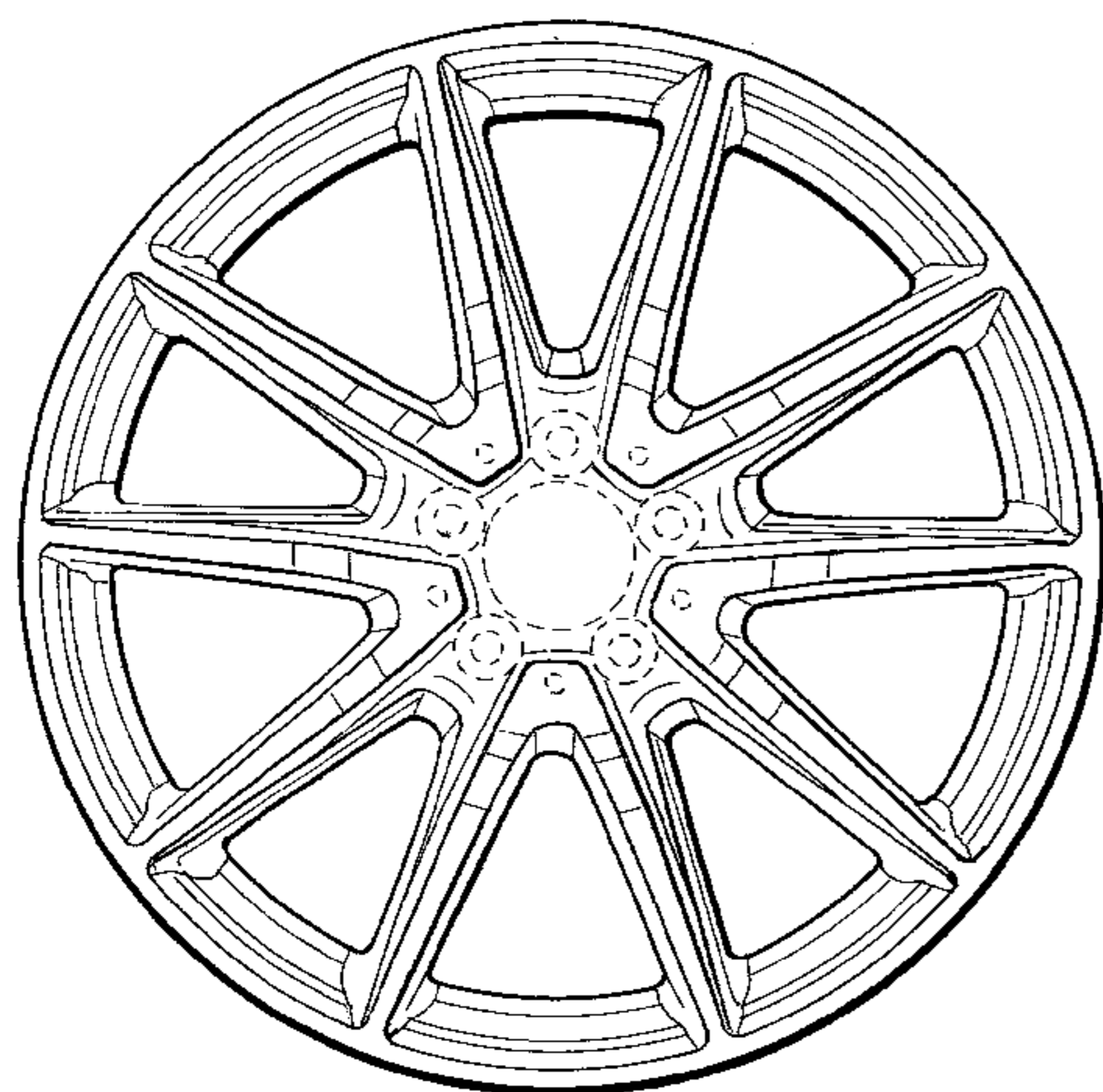
(57) **CLAIM**

The ornamental design for a wheel or wheel cover, as shown and described.

**DESCRIPTION**

FIG. 1 is a front view of a wheel or wheel cover according to the design; and,  
FIG. 2 is a perspective view thereof.  
The broken lines are for illustrative purposes only and form no part of the claimed design.

**1 Claim, 1 Drawing Sheet**



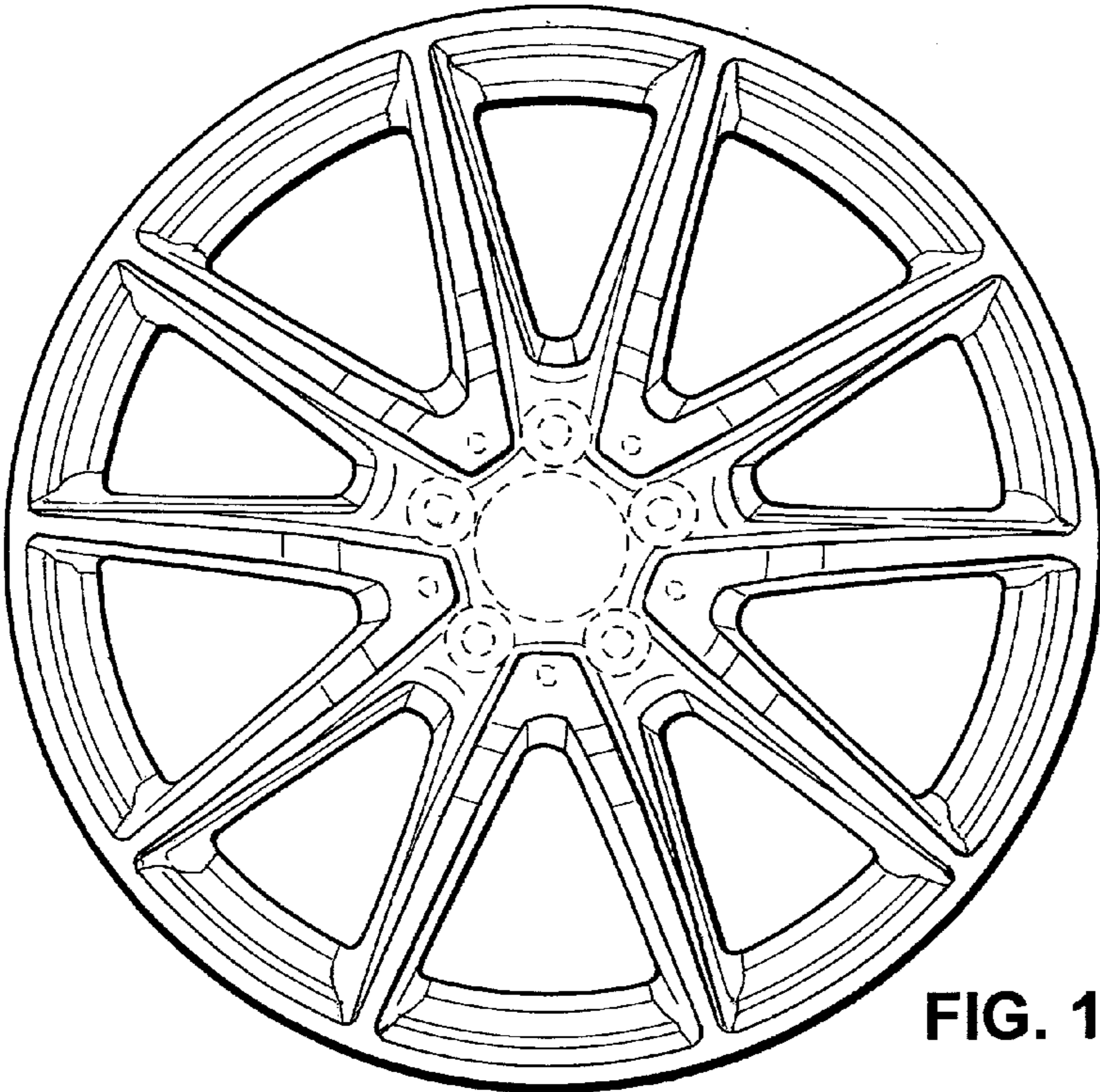


FIG. 1

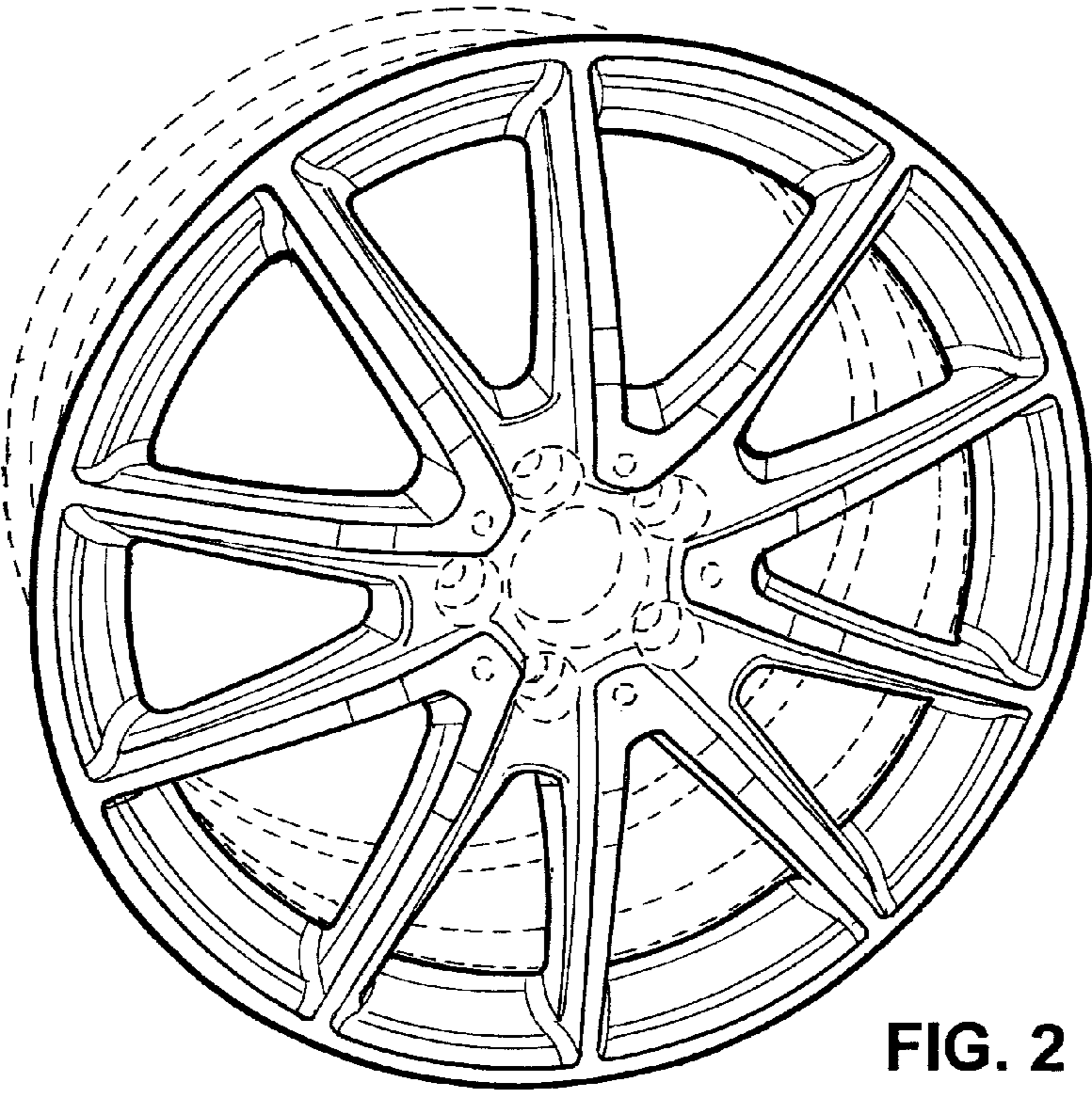


FIG. 2