



US00D768045S

(12) **United States Design Patent**
Curic et al.

(10) **Patent No.:** **US D768,045 S**

(45) **Date of Patent:** **** Oct. 4, 2016**

(54) **VEHICLE WHEEL**

(71) Applicant: **Ford Motor Company**, Dearborn, MI (US)

(72) Inventors: **Kemal Curic**, West Bloomfield, MI (US); **Darrell Behmer**, Novi, MI (US); **Christopher Svensson**, Clemsford (GB); **Moray Callum**, Ann Arbor, MI (US); **Joel Piaskowski**, Dusseldorf (DE)

(73) Assignee: **Ford Motor Company**, Dearborn, MI (US)

(**) Term: **14 Years**

(21) Appl. No.: **29/507,225**

(22) Filed: **Oct. 24, 2014**

(51) **LOC (10) Cl.** **12-16**

(52) **U.S. Cl.**
USPC **D12/209**

(58) **Field of Classification Search**
USPC D12/204–213
CPC B60B 7/00; B60B 7/02; B60B 7/04; B60B 7/01; B60B 7/06; B60B 3/02; B60B 3/04; B60B 3/06; B60B 3/10; B60B 1/00; B60B 1/08; B60B 1/10; B60B 1/12
See application file for complete search history.

(56) **References Cited**

U.S. PATENT DOCUMENTS

D337,563 S	*	7/1993	Boselli	D12/209
D413,298 S	*	8/1999	Hussaini	D12/211
D450,030 S	*	11/2001	Pfeiffer	D12/211
D471,503 S	*	3/2003	Baumgartner	D12/211
D484,446 S	*	12/2003	Pfeiffer	D12/211
D491,513 S	*	6/2004	Hilton	D12/211

D507,775 S	*	7/2005	Pfeiffer	D12/211
D538,730 S	*	3/2007	Thurner	D12/209
D610,064 S	*	2/2010	Dilber	D12/211
D617,720 S	*	6/2010	Zhao	D12/211
D623,111 S	*	9/2010	Spoerle	D12/211
D660,220 S	*	5/2012	Chan	D12/211
D671,062 S	*	11/2012	Dilber	D12/211
D702,173 S	*	4/2014	Perini	D12/211
D704,117 S	*	5/2014	Chung	D12/209
D706,701 S		6/2014	Mays		
D708,112 S		7/2014	Mays		
D721,317 S	*	1/2015	Kern	D12/211
D726,617 S	*	4/2015	Dingle	D12/209
D726,618 S	*	4/2015	Dingle	D12/209
D727,825 S	*	4/2015	Chung	D12/211
D751,481 S	*	3/2016	Chung	D12/209

OTHER PUBLICATIONS

Ronan Glon. Ford Reveals one-off F-35-Inspired 2015 Mustang GT. Jul. 25, 2014 [online], [retrieved on Aug. 27, 2014] Retrieved from the Internet <URL: <http://www.lefflanenews.com/ford-mustang-gt-f-35-lightening-ii-edition.html>>.

2016 Ford Mustang SVT Spied 'Ring testing once again. [retrieved on Aug. 27, 2014] Retrieved from the Internet <URL: <http://www.worldcarfans.com/114071878374/2013-ford-mustang-svt-spied-ring-testing-once-again.html>>.

* cited by examiner

Primary Examiner — Stacia Cadmus

(74) *Attorney, Agent, or Firm* — Damian Porcari

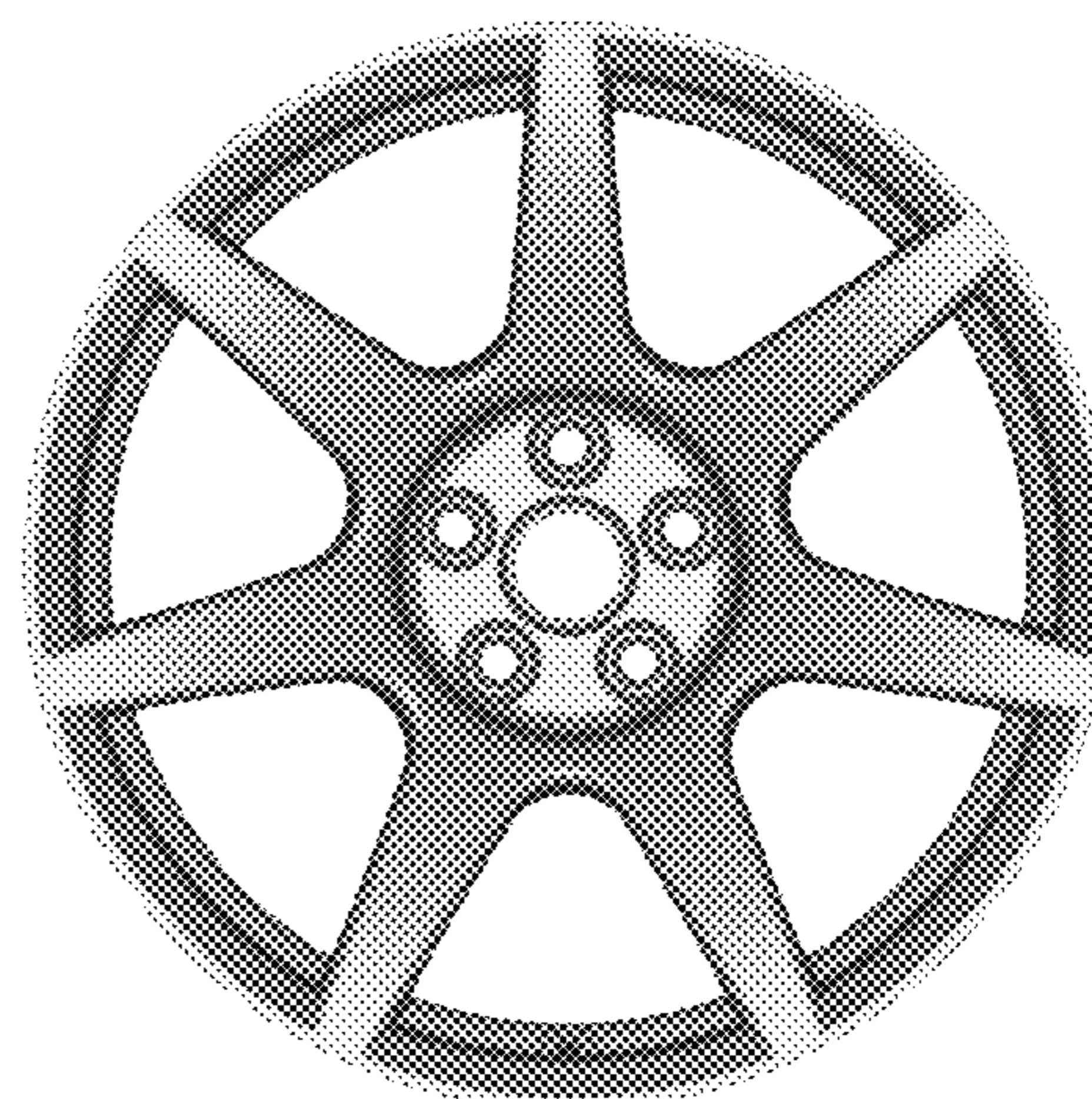
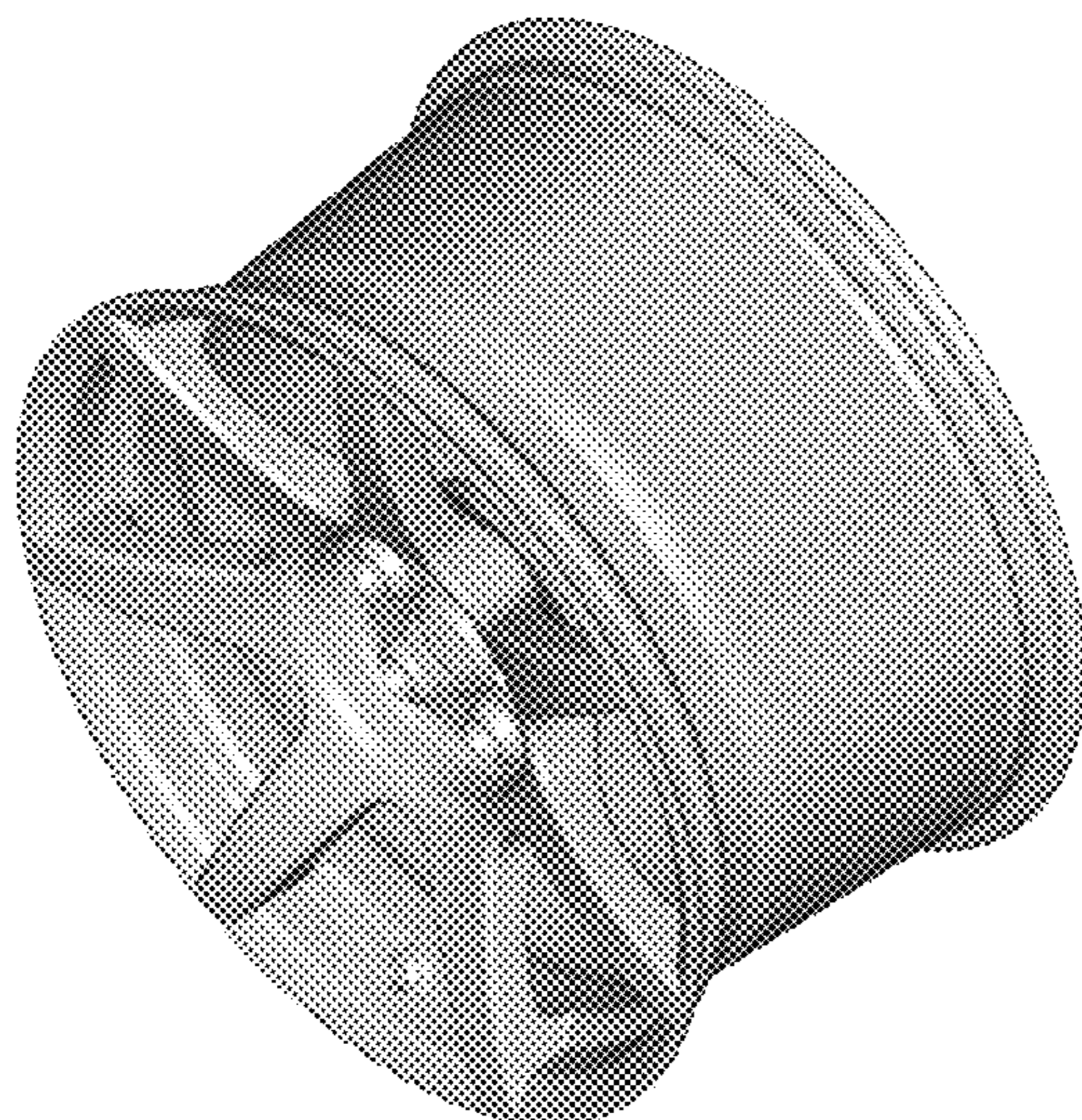
(57) **CLAIM**

The ornamental design for a vehicle wheel, as shown and described.

DESCRIPTION

FIG. 1 is a perspective view of a vehicle wheel; and, FIG. 2 is a front view thereof.

1 Claim, 2 Drawing Sheets



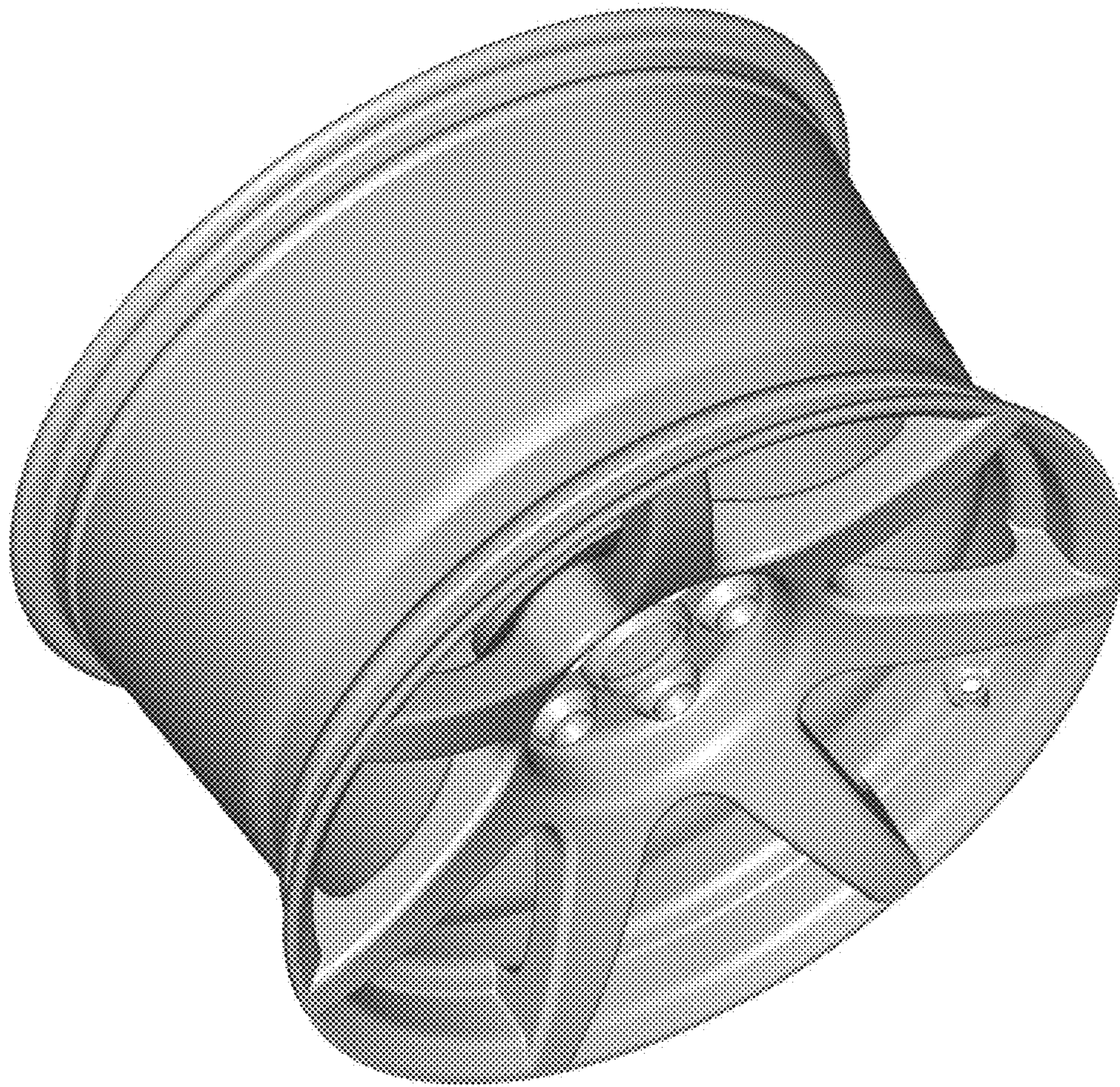


Figure 1

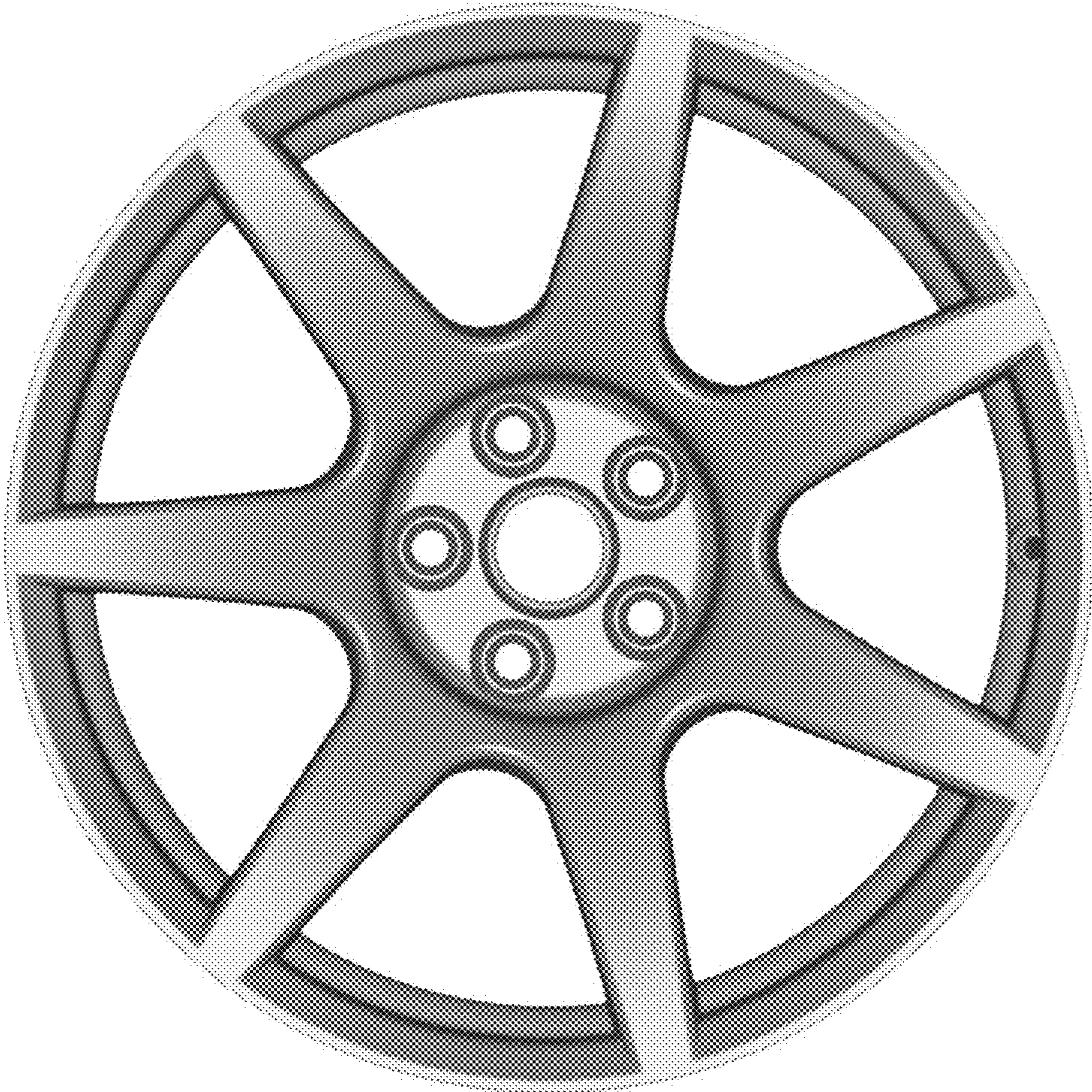


Figure 2