

US00D768026S

(12) **United States Design Patent** (10) **Patent No.:** **US D768,026 S**  
**Gruber-Matejovsky** (45) **Date of Patent:** **\*\* Oct. 4, 2016**

- (54) **COVER FOR A FINGER RING**
- (71) Applicant: **Katherine Ruth Sophia Gruber-Matejovsky**, Vienna (AT)
- (72) Inventor: **Katherine Ruth Sophia Gruber-Matejovsky**, Vienna (AT)
- (\*\*) Term: **14 Years**
- (21) Appl. No.: **29/496,096**
- (22) Filed: **Jul. 9, 2014**
- (51) **LOC (10) Cl.** ..... **11-01**
- (52) **U.S. Cl.**  
USPC ..... **D11/26**
- (58) **Field of Classification Search**  
USPC ..... D11/1-40, 46, 48, 138, 184;  
63/1.11-1.17, 3, 3.1, 3.2, 4, 5.1, 5.2,  
63/6-11, 15, 15.1, 15.2, 15.3, 15.4, 15.45,  
63/15.5, 15.6, 15.65, 15.7, 15.8, 15.9, 21,  
63/22, 24-27, 32, 33, 38; D8/18, 33, 38,  
D8/42, 331, 335, 382, 397, 398; D23/259,  
D23/262-266; D7/354, 358, 391, 633  
CPC ..... A44C 9/00; A44C 27/00; A44C 17/02;  
A44C 17/04; A44C 5/00; A44C 5/12; A44C  
15/002; A44C 17/00; A44C 25/002; A44C  
25/008  
See application file for complete search history.

8,091,383	B1 *	1/2012	Zahiri et al.	63/15
D660,193	S *	5/2012	Neuner	D11/86
D672,679	S *	12/2012	Riches	D11/26
8,701,440	B1 *	4/2014	Nguonly et al.	63/29.1
D716,174	S *	10/2014	Tsang	D11/3
D721,608	S *	1/2015	Miller et al.	D11/3
2005/0199007	A1 *	9/2005	LaCroix	63/28
2008/0148776	A1 *	6/2008	Alley et al.	63/15.8
2009/0038339	A1 *	2/2009	Chen	63/15
2011/0011131	A1 *	1/2011	Bisserier	63/15.7
2013/0186134	A1 *	7/2013	Goldstein	63/12
2014/0083135	A1 *	3/2014	Martinez	63/15.8

\* cited by examiner

*Primary Examiner* — Cynthia Ramirez  
*Assistant Examiner* — Llorelys Martinez-Rivera

(57) **CLAIM**  
The ornamental design for a cover for a finger ring, as shown and described.

**DESCRIPTION**

FIG. 1 is a front elevation view of a cover for a finger ring showing my new design in a disassembled configuration of use;

FIG. 2 is a front elevation view of the cover for a finger ring, shown in an assembled configuration of use;

FIG. 3 is a rear elevation view thereof;

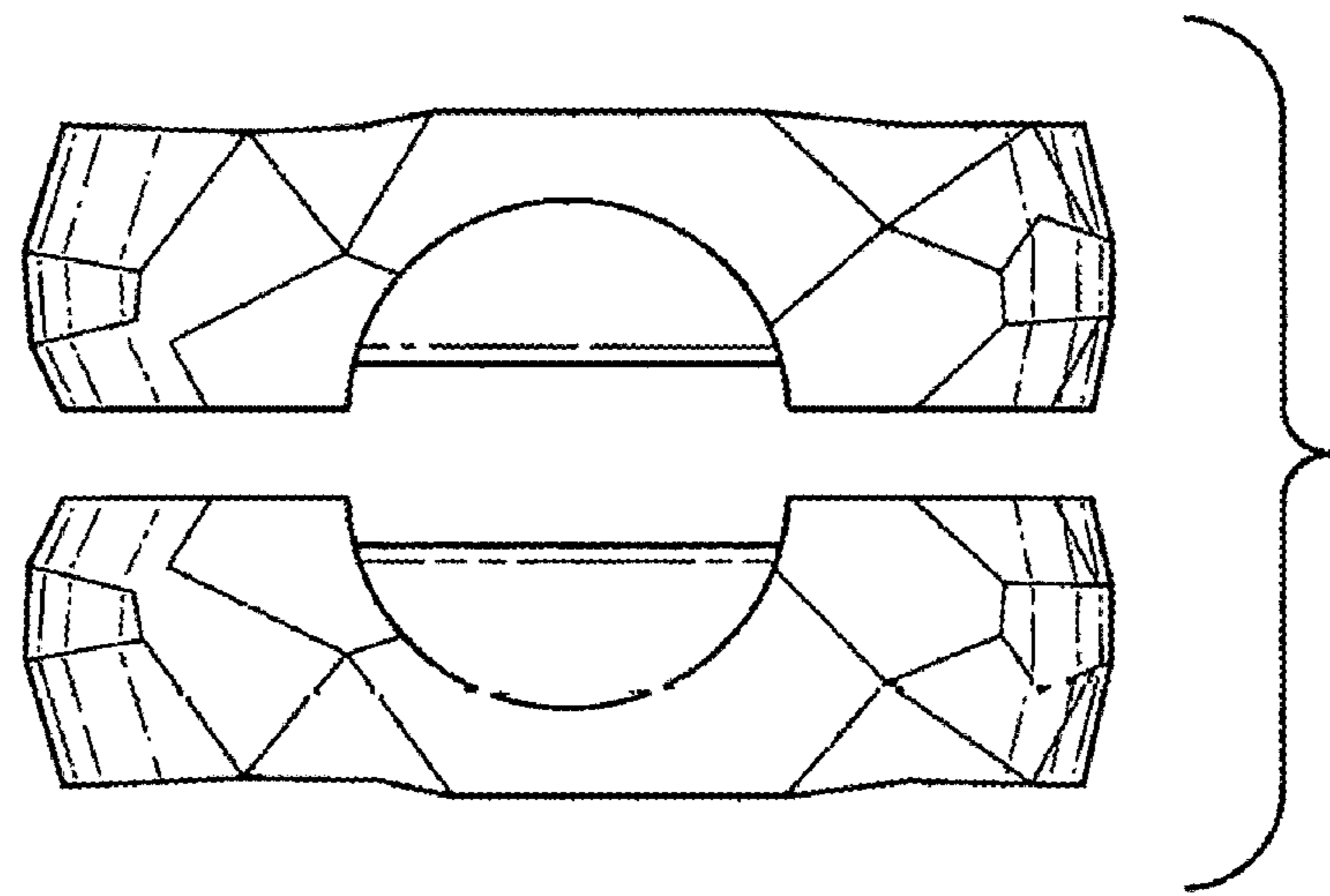
FIG. 4 is perspective view of the two components of the cover for a ring, in a disassembled configuration for clarity of illustration; and,

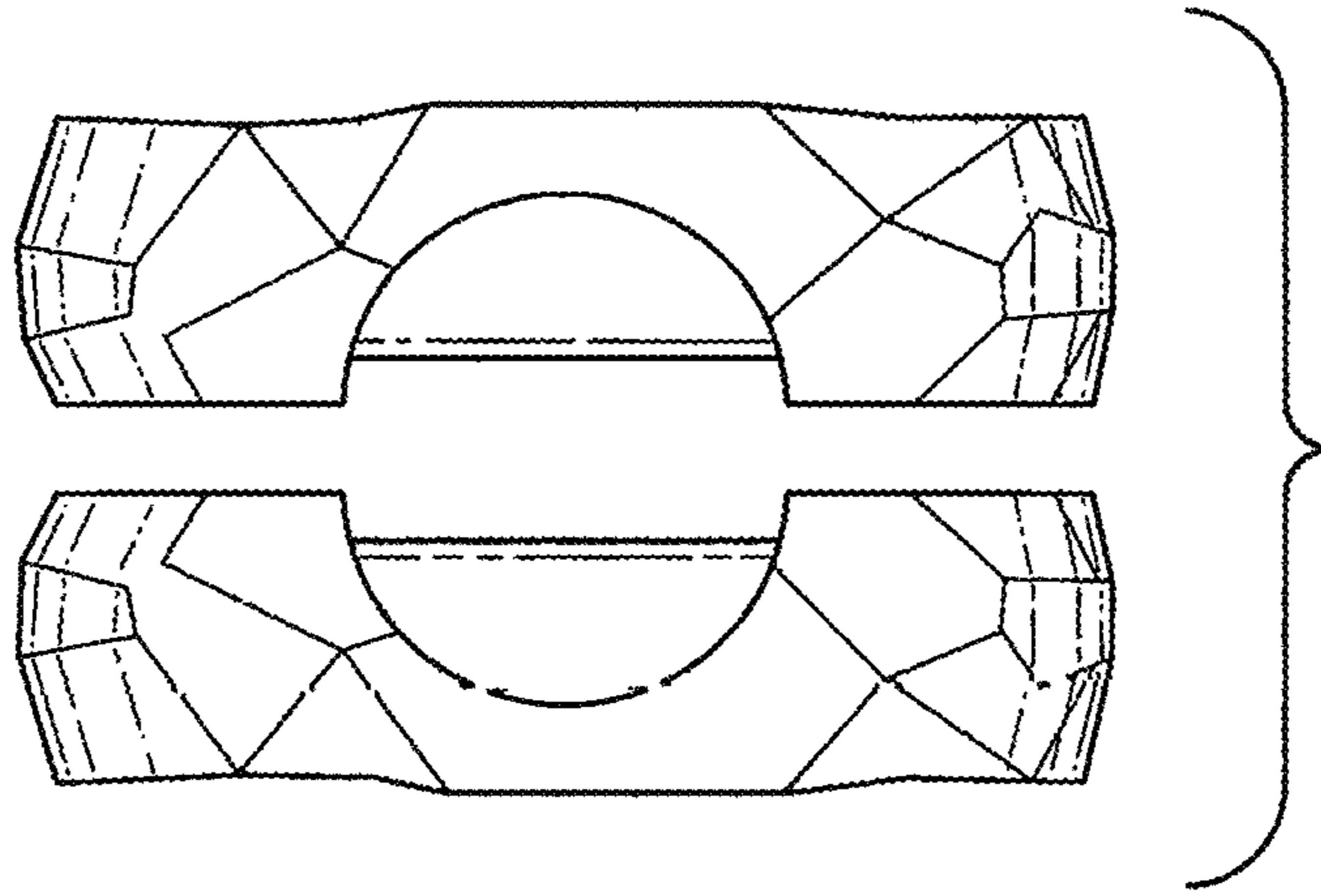
FIG. 5 is another perspective view of the two components of the cover for a ring, in a disassembled configuration for clarity of illustration.

The broken line portions shown in FIGS. 2 and 5 illustrate environmental subject matter only and form no part of the claimed design.

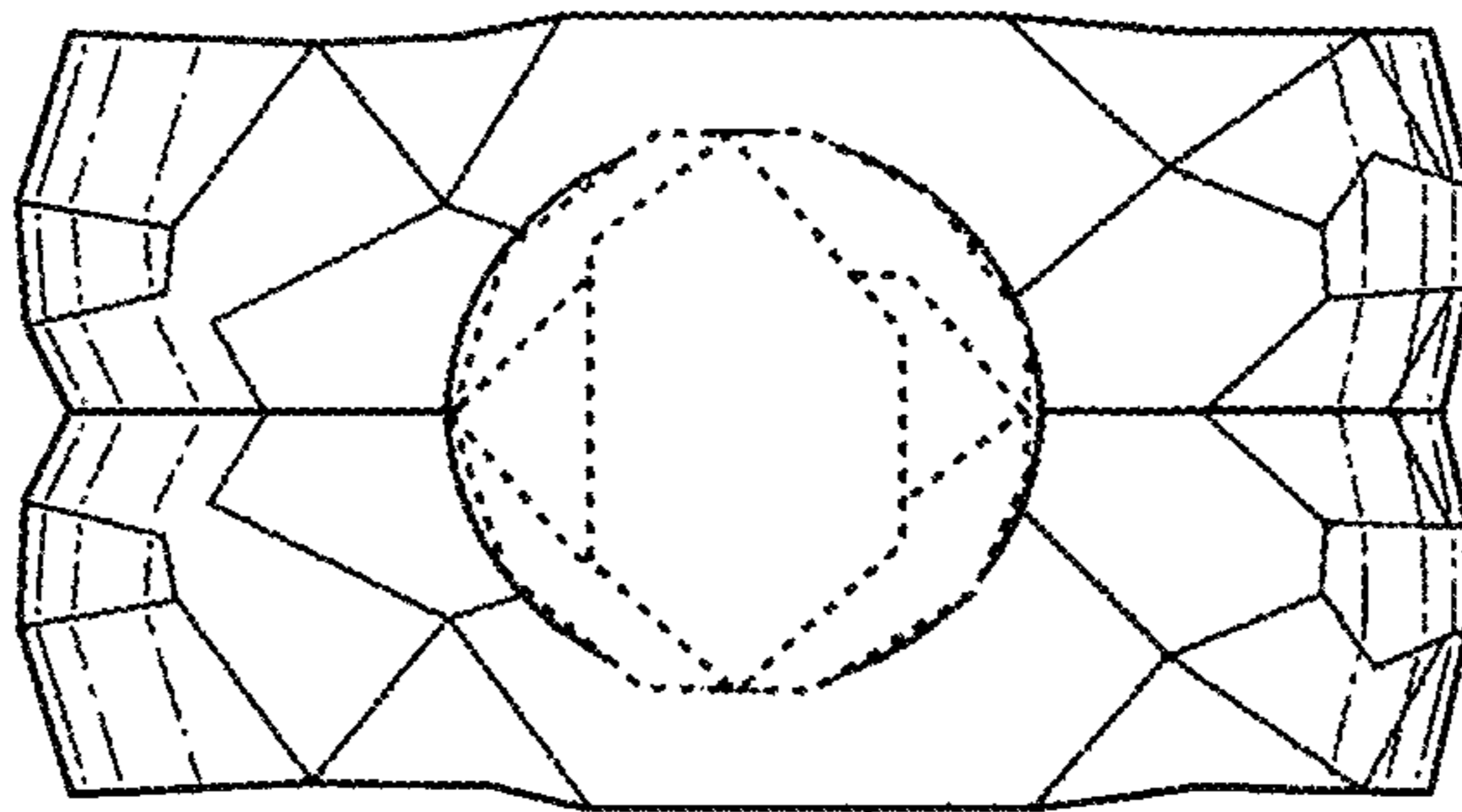
**1 Claim, 2 Drawing Sheets**

- (56) **References Cited**  
U.S. PATENT DOCUMENTS  
D101,947 S \* 11/1936 Hagerstrom ..... D11/35  
D113,638 S \* 3/1939 Milhening ..... D11/36  
D246,354 S \* 11/1977 Durante ..... D11/36  
D537,011 S \* 2/2007 Doughty ..... D11/35  
D645,776 S \* 9/2011 Pilushin ..... D11/26

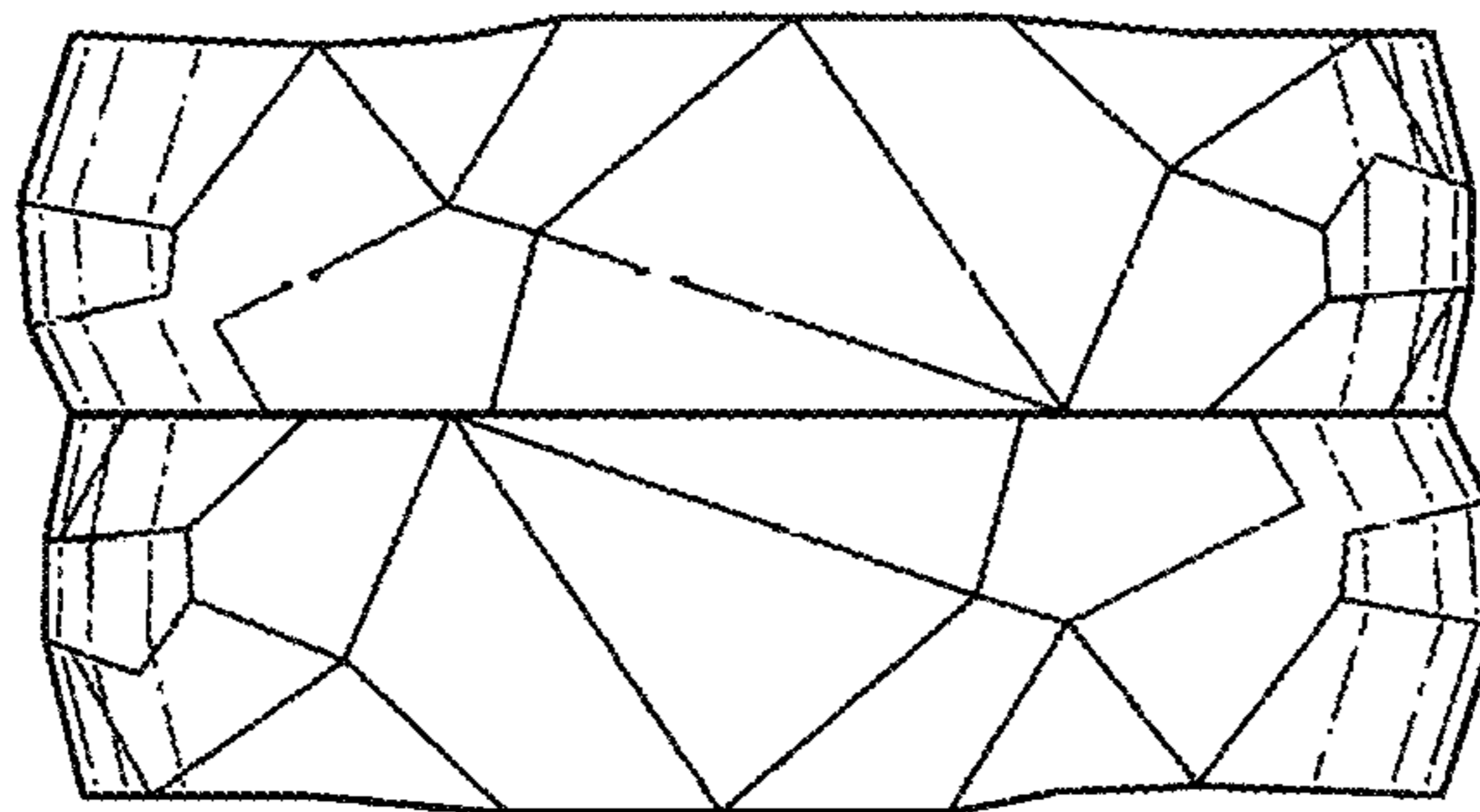




**FIG. 1**



**FIG. 2**



**FIG. 3**

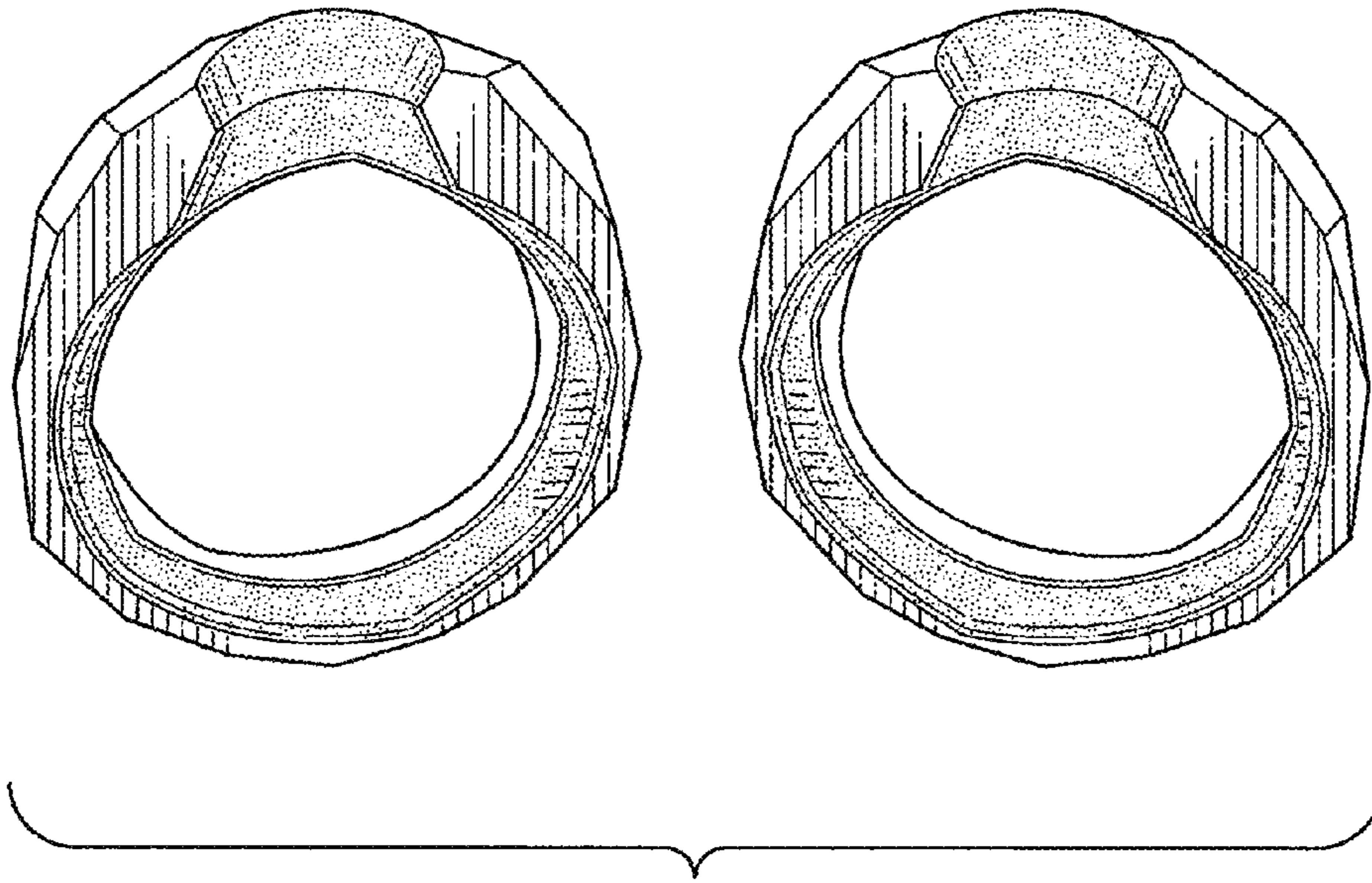


FIG. 4

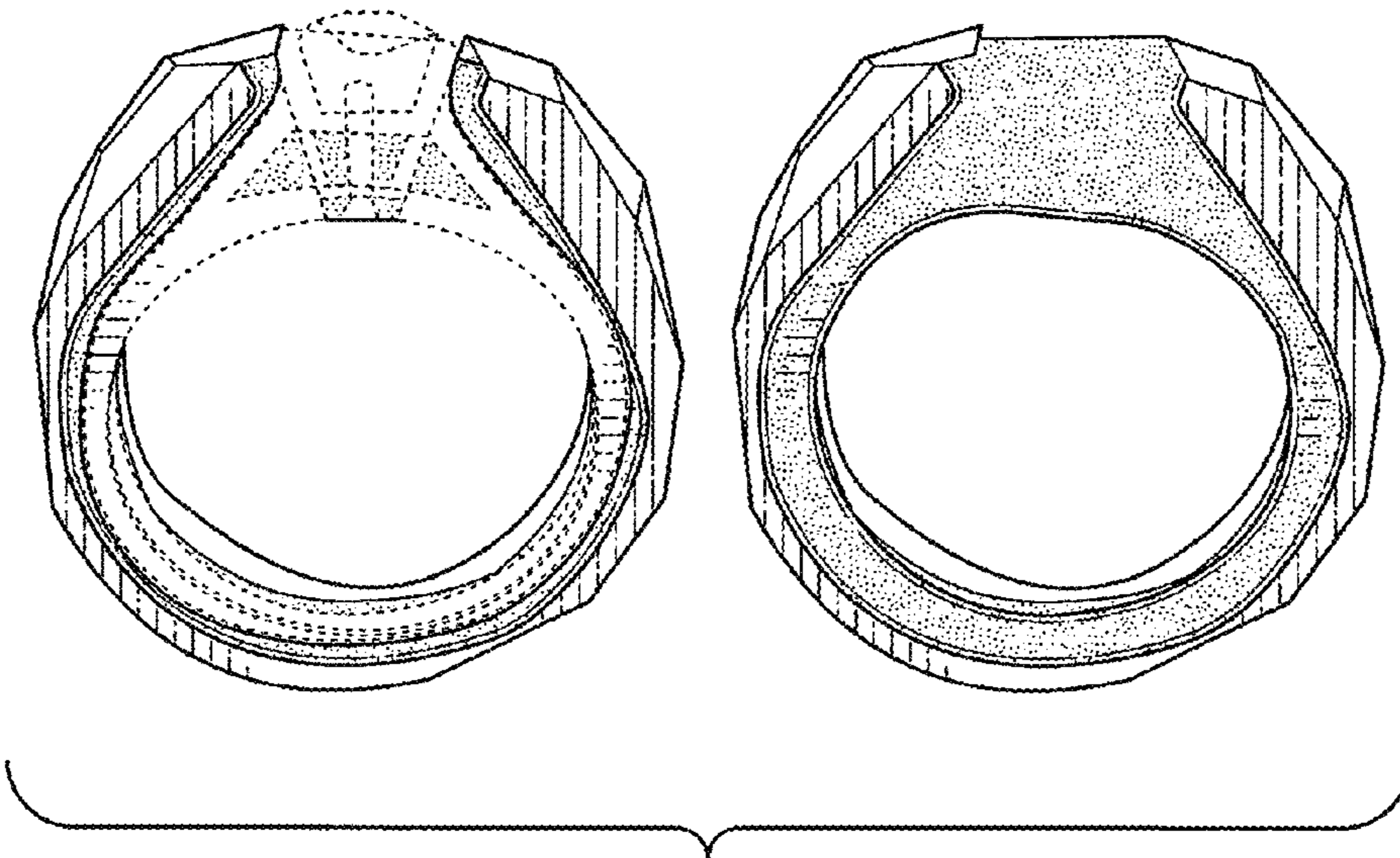


FIG. 5