



US00D768023S

(12) **United States Design Patent** (10) **Patent No.:** **US D768,023 S**
Carr et al. (45) **Date of Patent:** **** Oct. 4, 2016**

- (54) **WATCH BOW**
- (71) Applicant: **Shinola/Detroit, LLC**, Detroit, MI (US)
- (72) Inventors: **Carla Carr**, Lucas, TX (US); **Marisa Firth**, Dallas, TX (US)
- (73) Assignee: **Shinola/Detroit, LLC**, Detroit, MI (US)
- (**) Term: **15 Years**
- (21) Appl. No.: **29/527,008**
- (22) Filed: **May 14, 2015**
- (51) **LOC (10) Cl.** **10-07**
- (52) **U.S. Cl.**
USPC **D10/131**
- (58) **Field of Classification Search**
USPC 368/316, 232, 15-20, 228, 285, 82, 85, 368/288, 280-282, 276, 277, 286, 223, 308, 368/319, 21, 28, 301, 302, 313
CPC G04B 19/24; G04B 19/243; G04B 19/26; G04B 37/00; G04B 37/0008; G04B 37/0066; G04B 37/05; G04B 37/08; G04B 37/081; G04B 37/084; G04B 37/087; G04B 37/11; G04B 37/18; G04B 37/20; G04B 37/008; G04B 29/00; G04B 45/02
See application file for complete search history.

- (56) **References Cited**
U.S. PATENT DOCUMENTS
432,762 A * 7/1890 Blomgren G04B 37/1446 368/302
971,053 A * 9/1910 Levy G04B 37/1446 29/896.34
1,348,866 A * 8/1920 Gomil G04B 43/00 2/249
D66,169 S * 12/1924 Wadsworth D10/37
D76,524 S * 10/1928 Conant D10/37
2,003,781 A * 6/1935 Burghoff G04B 37/1466 368/301

- D98,952 S * 3/1936 Lobel D10/37
- D126,622 S * 4/1941 Didisheim 368/232
- 2,260,835 A * 10/1941 Haapanen G04B 37/081 206/18
- D138,444 S * 8/1944 Smoleroff D10/3
- D254,900 S * 5/1980 Oppliger D10/37
- D268,816 S * 5/1983 Venker D10/124
- D278,038 S * 3/1985 Onodera D10/37
- D278,039 S * 3/1985 Sakai D10/37
- D374,828 S * 10/1996 DeMatteo, Jr. D10/30
- D397,691 S * 9/1998 Dixon D10/34
- D398,544 S * 9/1998 Lai D10/31
- D435,463 S * 12/2000 Lassigne D10/30
- D481,960 S * 11/2003 Laucella D10/30
- D562,705 S * 2/2008 Laucella D10/37
- D725,496 S * 3/2015 Belamich D10/131
- 2016/0085215 A1 * 3/2016 Watler, Jr. G04B 37/0008 368/316

* cited by examiner

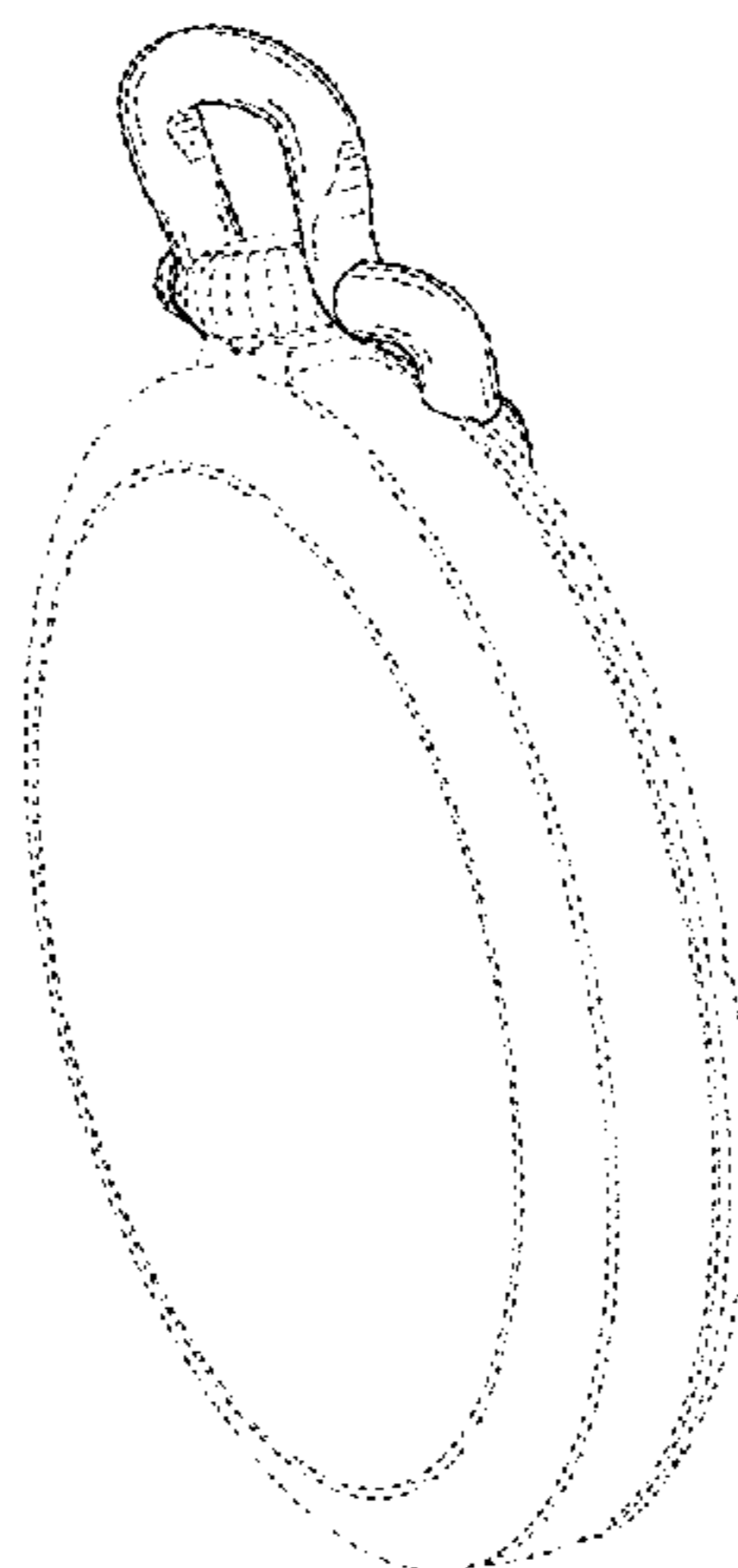
Primary Examiner — Susan Bennett Hattan
Assistant Examiner — Jennifer Wright
(74) *Attorney, Agent, or Firm* — Fish & Richardson P.C.

(57) **CLAIM**
The ornamental design for a watch bow, substantially as shown and described.

DESCRIPTION

FIG. 1 is a first front perspective view of a watch bow, showing our design.
FIG. 2 is a rear perspective view of the watch bow.
FIG. 3 is a second front perspective view of the watch bow.
FIG. 4 is a top perspective view of the watch bow.
FIG. 5 is a front view of the watch bow.
FIG. 6 is a back view of the watch bow.
FIG. 7 is a right side view of the watch bow.
FIG. 8 is a left side view of the watch bow.
FIG. 9 is a top view of the watch bow; and,
FIG. 10 is a bottom view of the watch bow.
The broken lines illustrate environmental features that form no part of the claimed design.

1 Claim, 4 Drawing Sheets



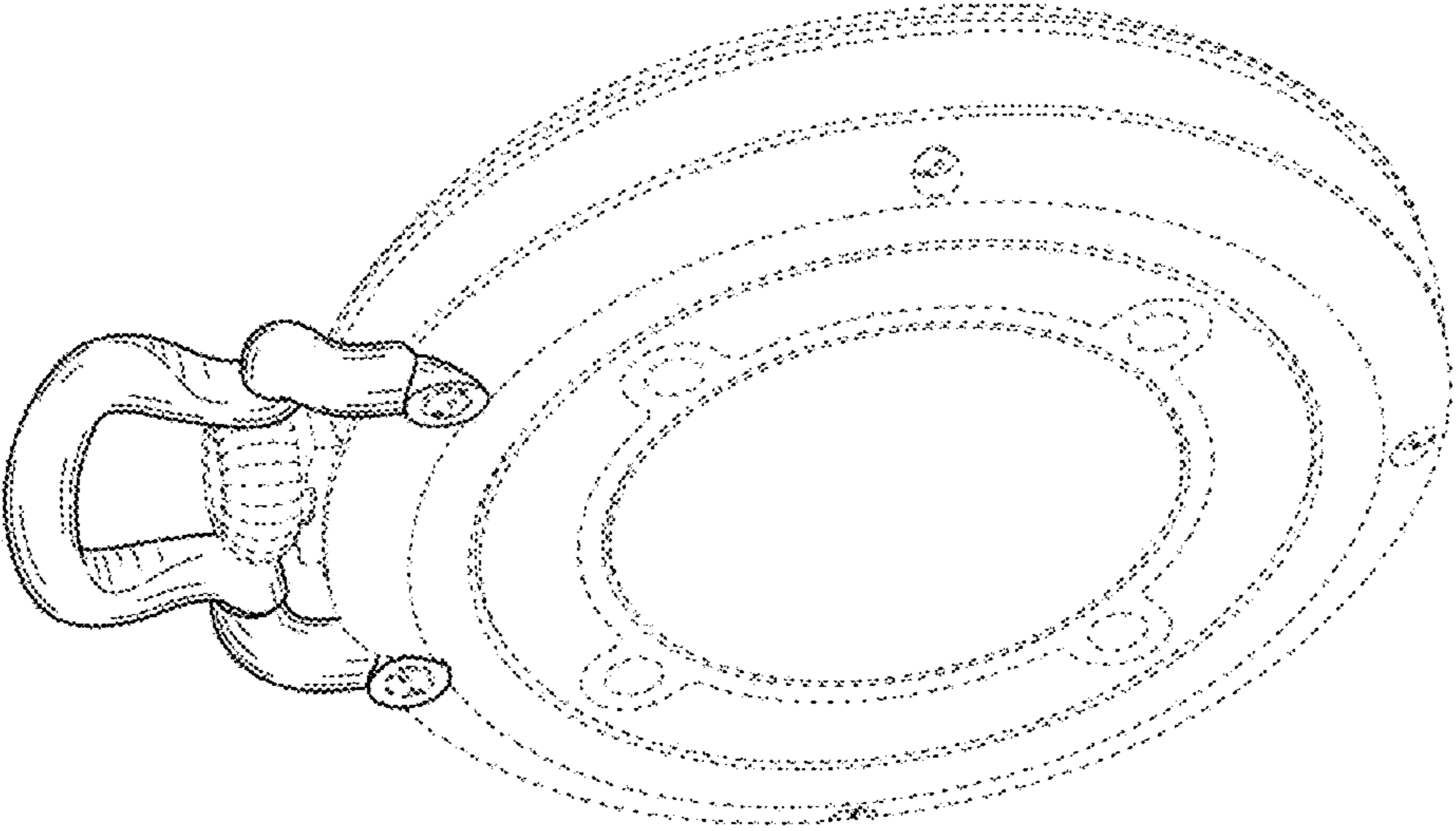


FIG. 2

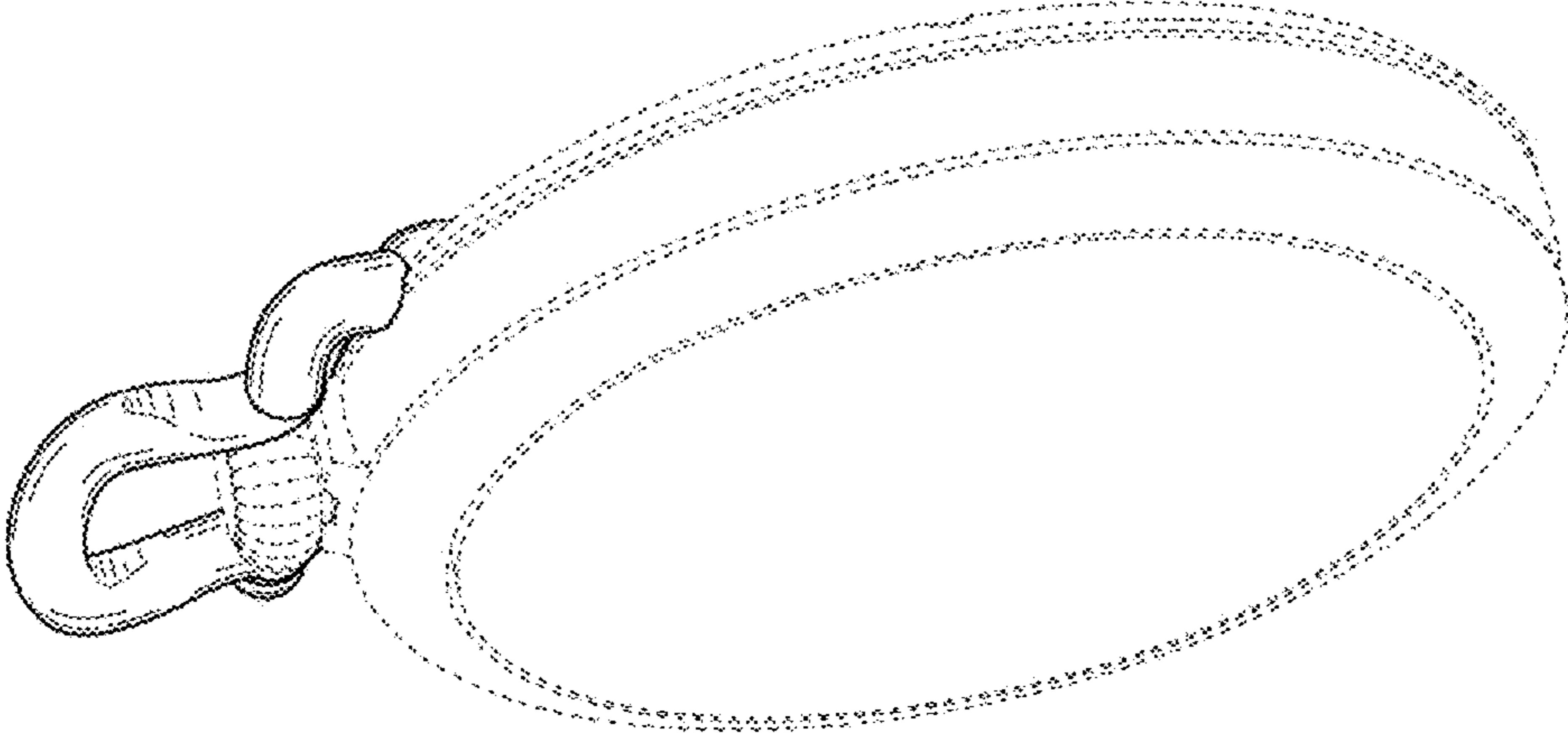


FIG. 1

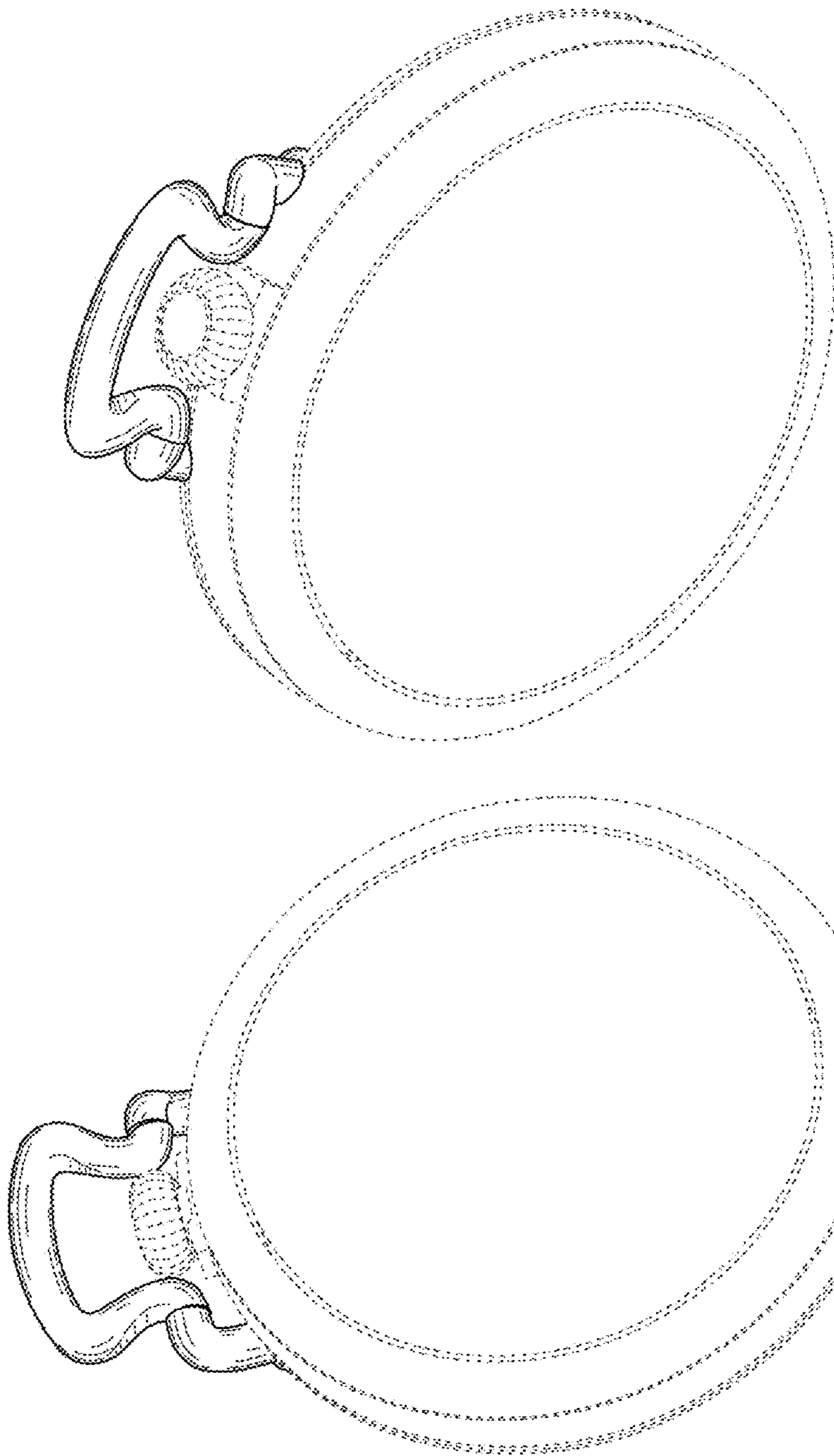


FIG. 4

FIG. 3

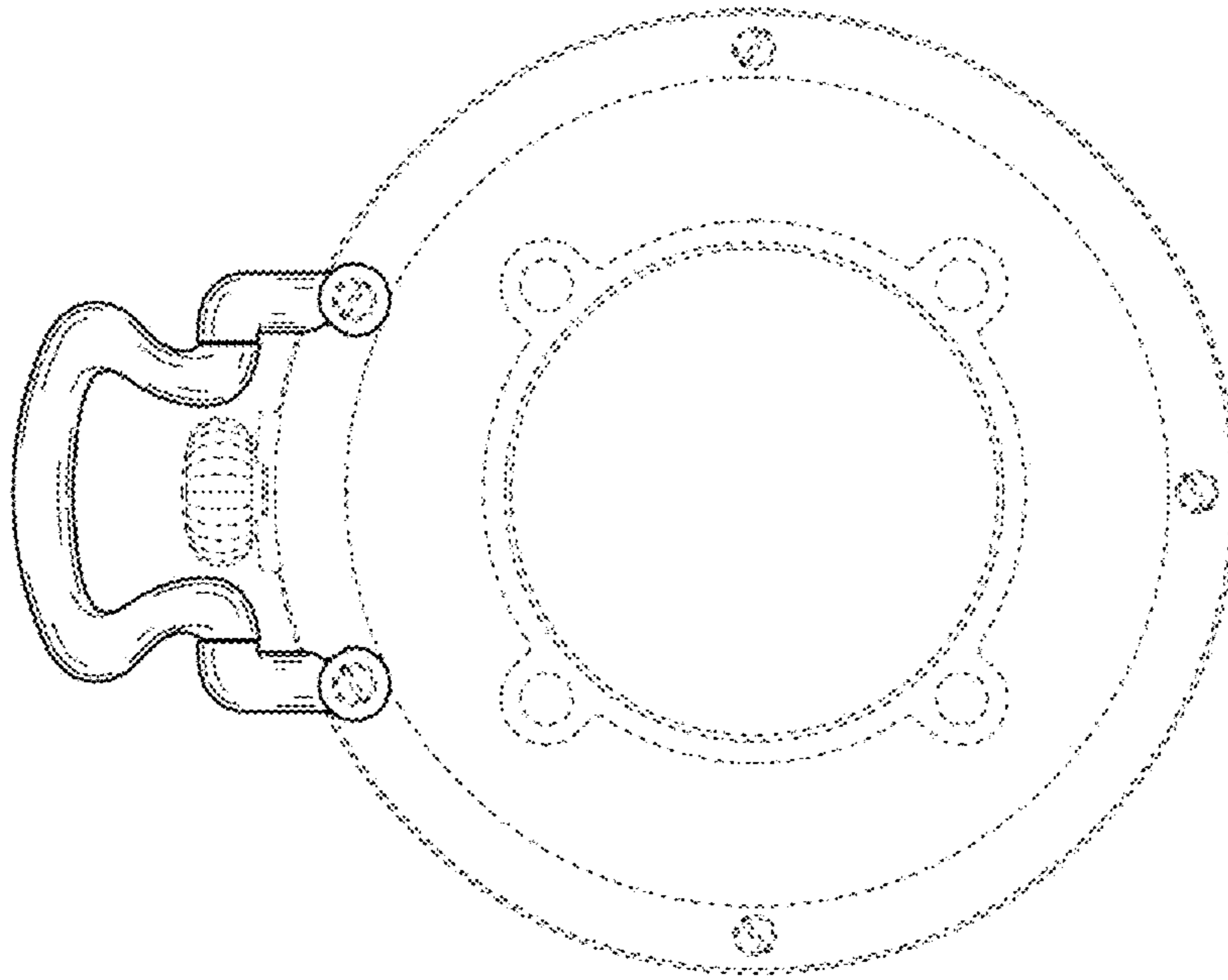


FIG. 6

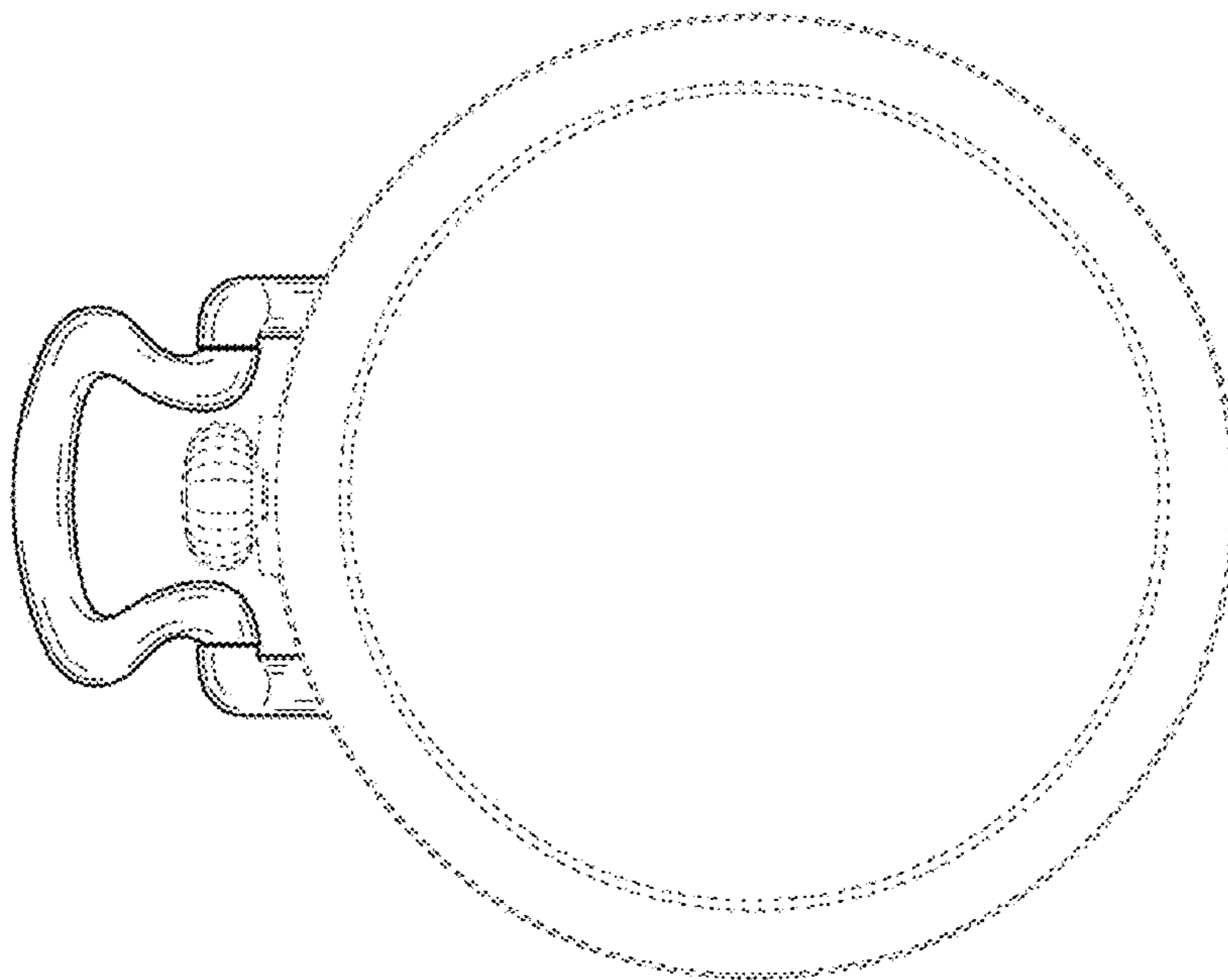


FIG. 5

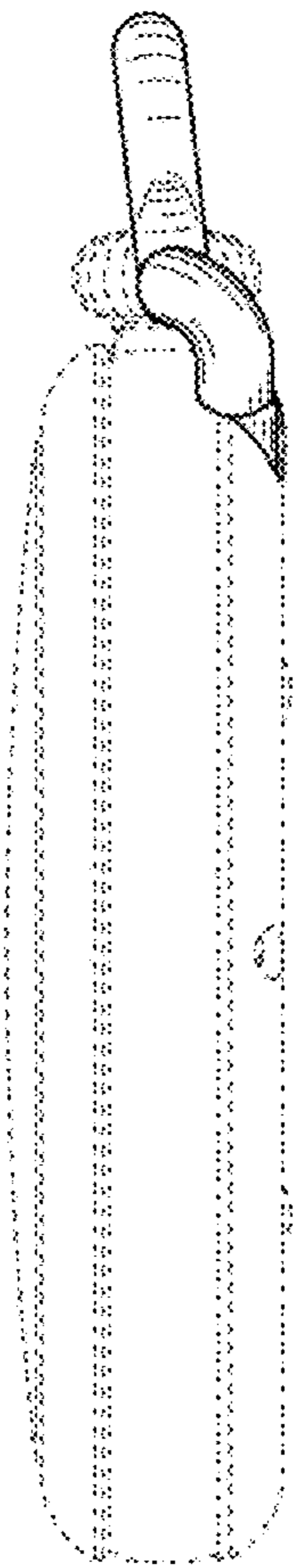


FIG. 7

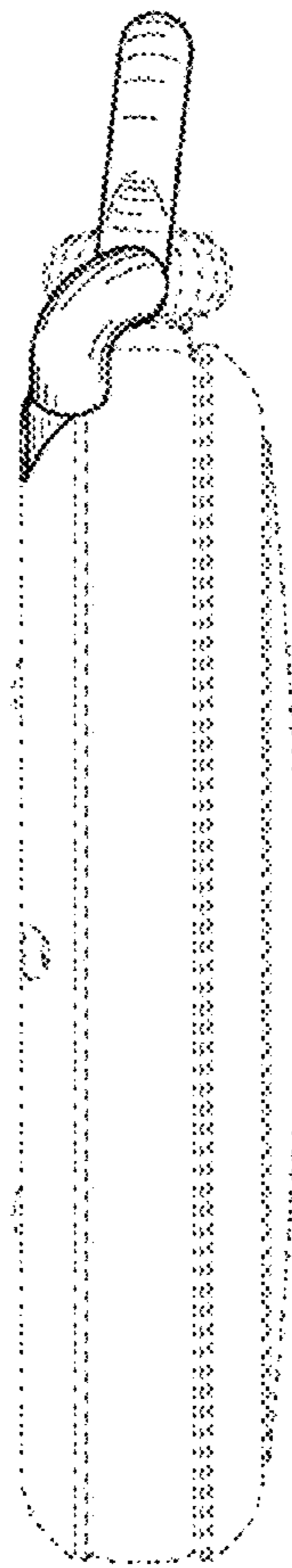


FIG. 8

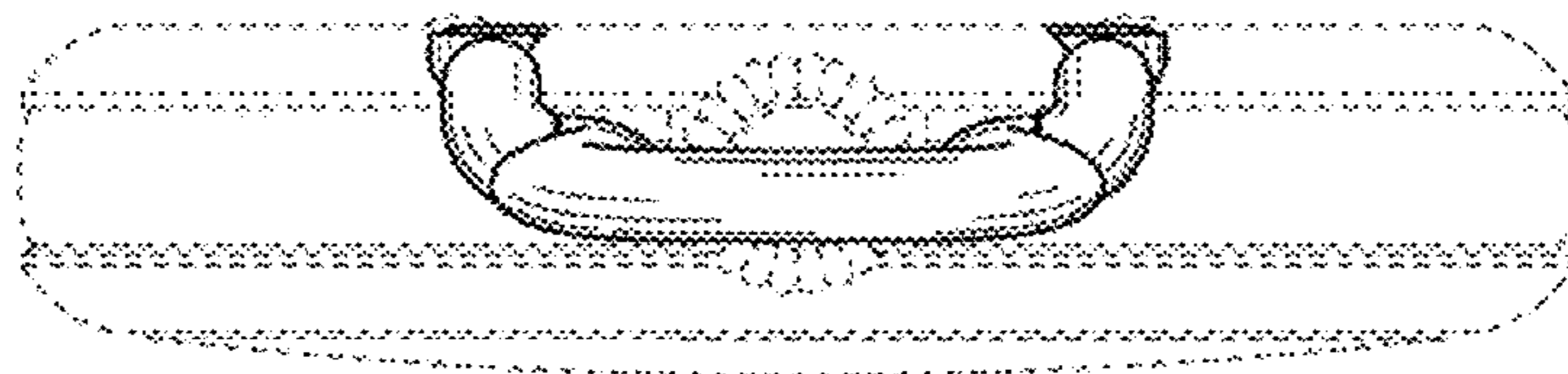


FIG. 9

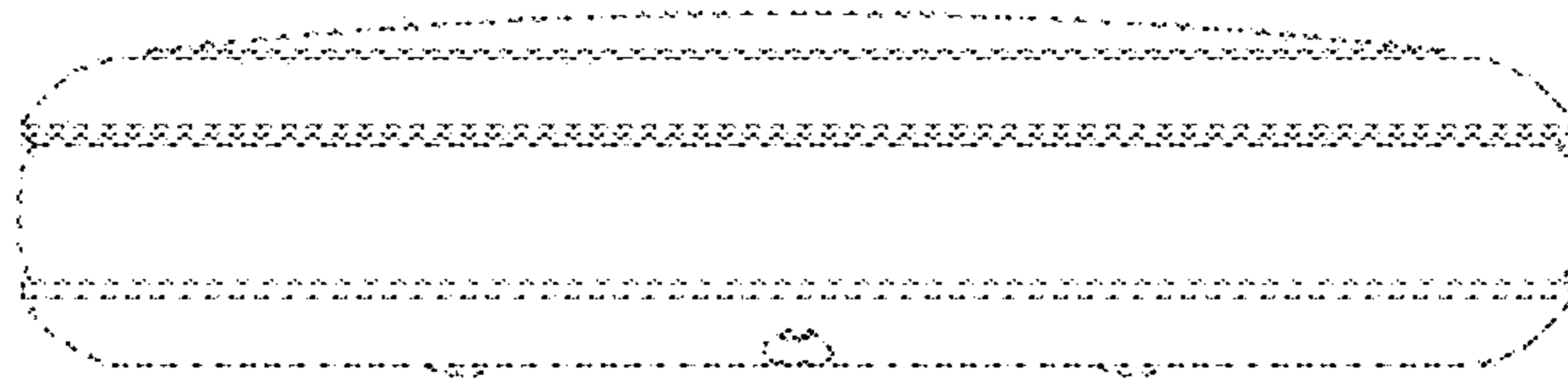


FIG. 10