



US00D768020S

(12) **United States Design Patent**
Kamilindi

(10) **Patent No.:** **US D768,020 S**

(45) **Date of Patent:** **** Oct. 4, 2016**

(54) **DIAL**

D725,834 S * 3/2015 Ruffieux D30/126
D734,177 S * 7/2015 Kamilindi D10/126
D749,447 S * 2/2016 Andersson D10/126

(71) Applicant: **HARRY WINSTON SA,**
Plan-les-Ouates (CH)

(72) Inventor: **Steve Kamilindi,** Genève (CH)

(73) Assignee: **HARRY WINSTON SA,**
Plan-les-Ouates (CH)

(**) Term: **15 Years**

(21) Appl. No.: **29/538,698**

(22) Filed: **Sep. 7, 2015**

(30) **Foreign Application Priority Data**

Mar. 5, 2015 (WO) DM/085 762

(51) **LOC (10) Cl.** **10-07**

(52) **U.S. Cl.**
USPC **D10/126**

(58) **Field of Classification Search**

USPC D10/30-39, 122-132, 1-29
CPC G04B 19/00; G04B 19/06; G04B 19/065;
G04B 19/08; G04B 19/10; G04B 19/106;
G04B 19/26; G04B 19/262; G04B 19/268
See application file for complete search history.

(56) **References Cited**

U.S. PATENT DOCUMENTS

D481,967 S * 11/2003 Cohen D10/128
D642,488 S * 8/2011 Ruffieux D10/126
D677,187 S * 3/2013 Ruffieux D10/126
D685,280 S * 7/2013 Muller D10/126

OTHER PUBLICATIONS

Harry Winston Project Z Skeleton Dial Zalium Automatic Limited Edition Men's Watch, as posted at Jomashop [online], posting date not available [site visited Jun. 17, 2016]. Available from the Internet, <URL: <http://www.jomashop.com/harry-winston-watch-oceach44zz004.html>>.*

* cited by examiner

Primary Examiner — Catheri Oliver-Garcia

Assistant Examiner — Rebekah A Caruso

(74) *Attorney, Agent, or Firm* — Donald J. Ranft; Collen IP

(57) **CLAIM**

The ornamental design for a dial, as shown and described.

DESCRIPTION

FIG. 1 is a front right perspective view of a dial showing my new design;

FIG. 2 is a front view thereof;

FIG. 3 is a rear view thereof;

FIG. 4 is a right side view thereof;

FIG. 5 is a left side view thereof;

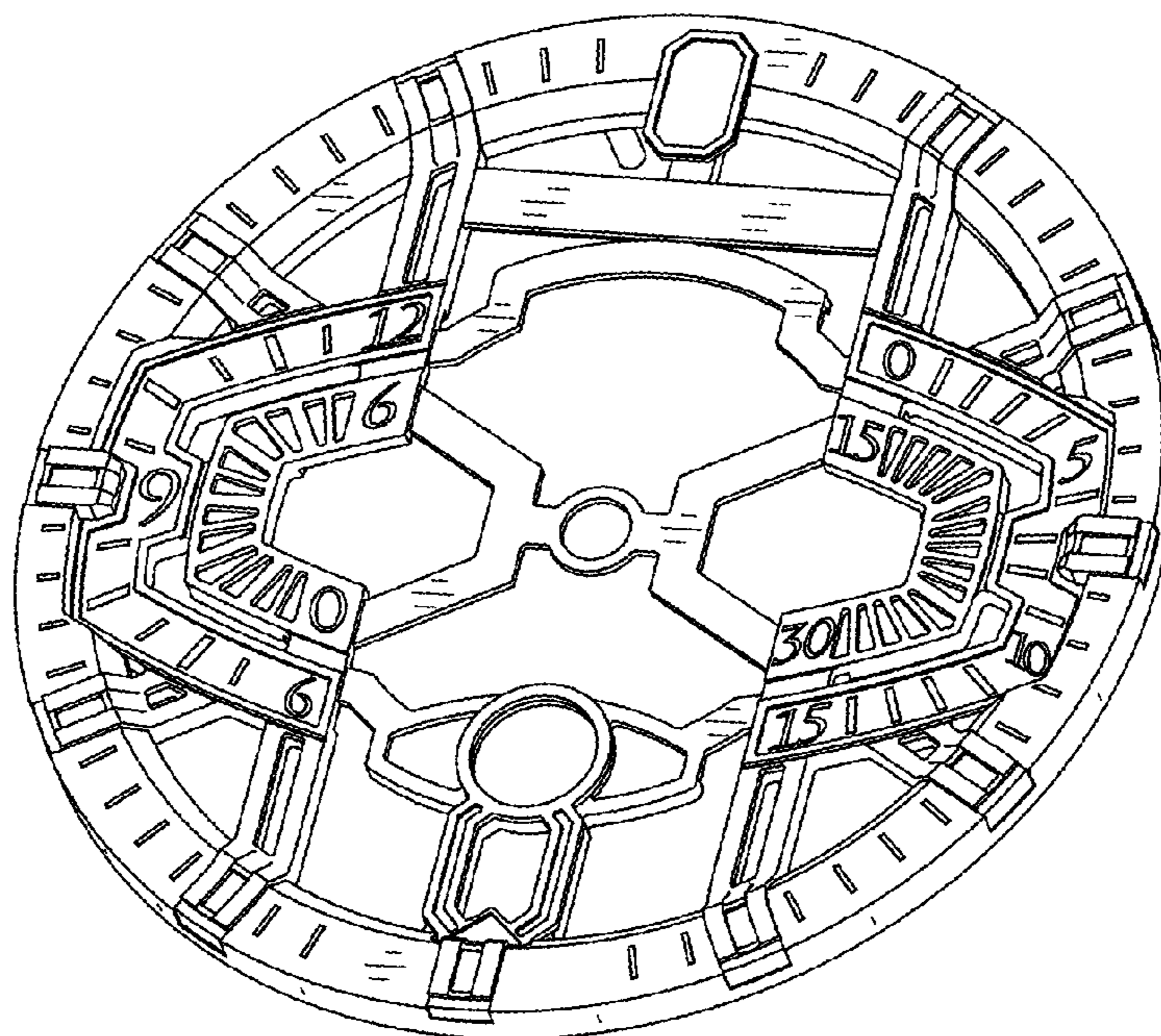
FIG. 6 is a bottom view thereof; and,

FIG. 7 is a top view thereof.

The design depicted in FIG. 3 for the rear of the dial is flat.

The portions of the dial shown in broken lines form no part of the claimed design.

1 Claim, 3 Drawing Sheets



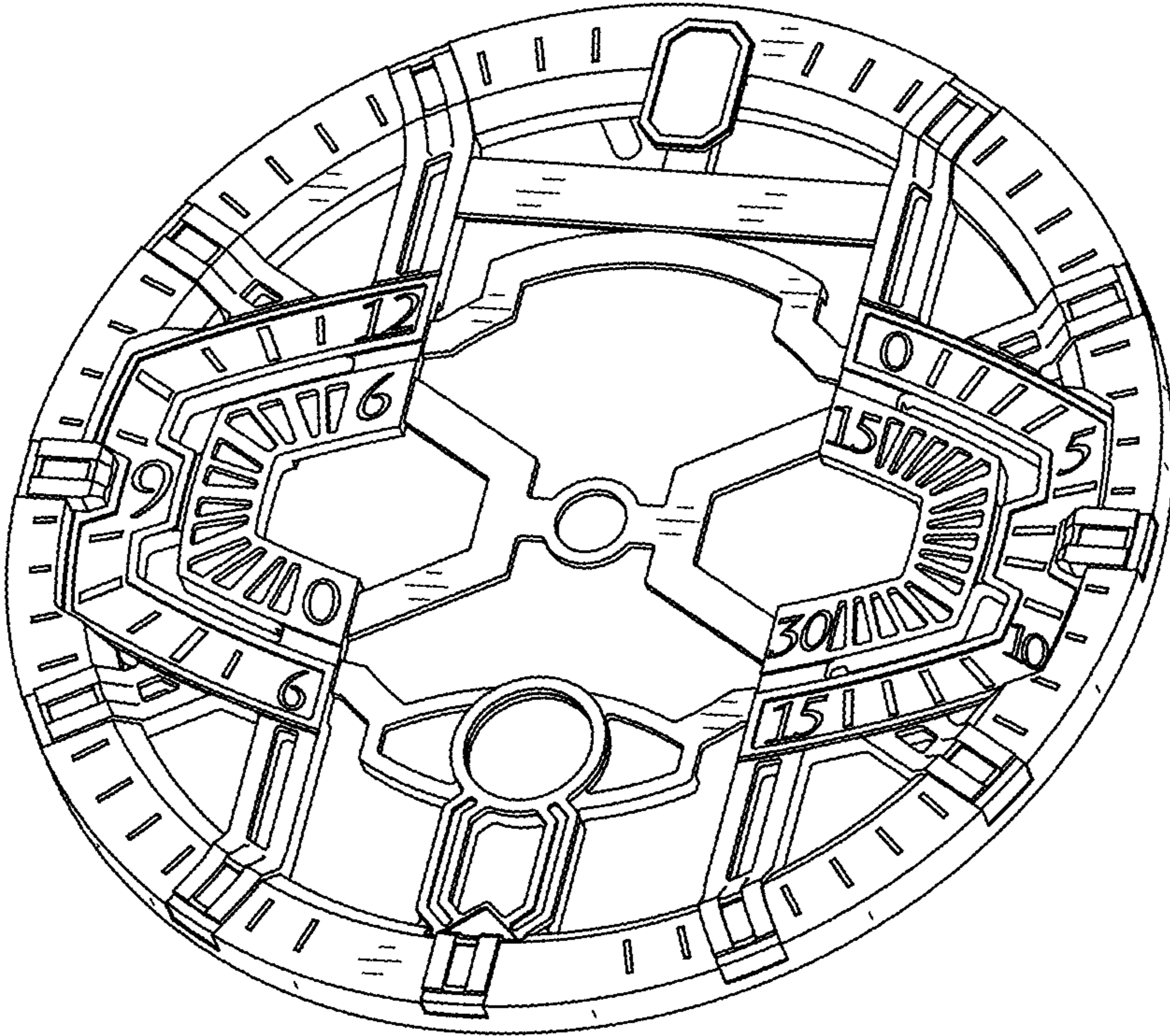


FIG. 1

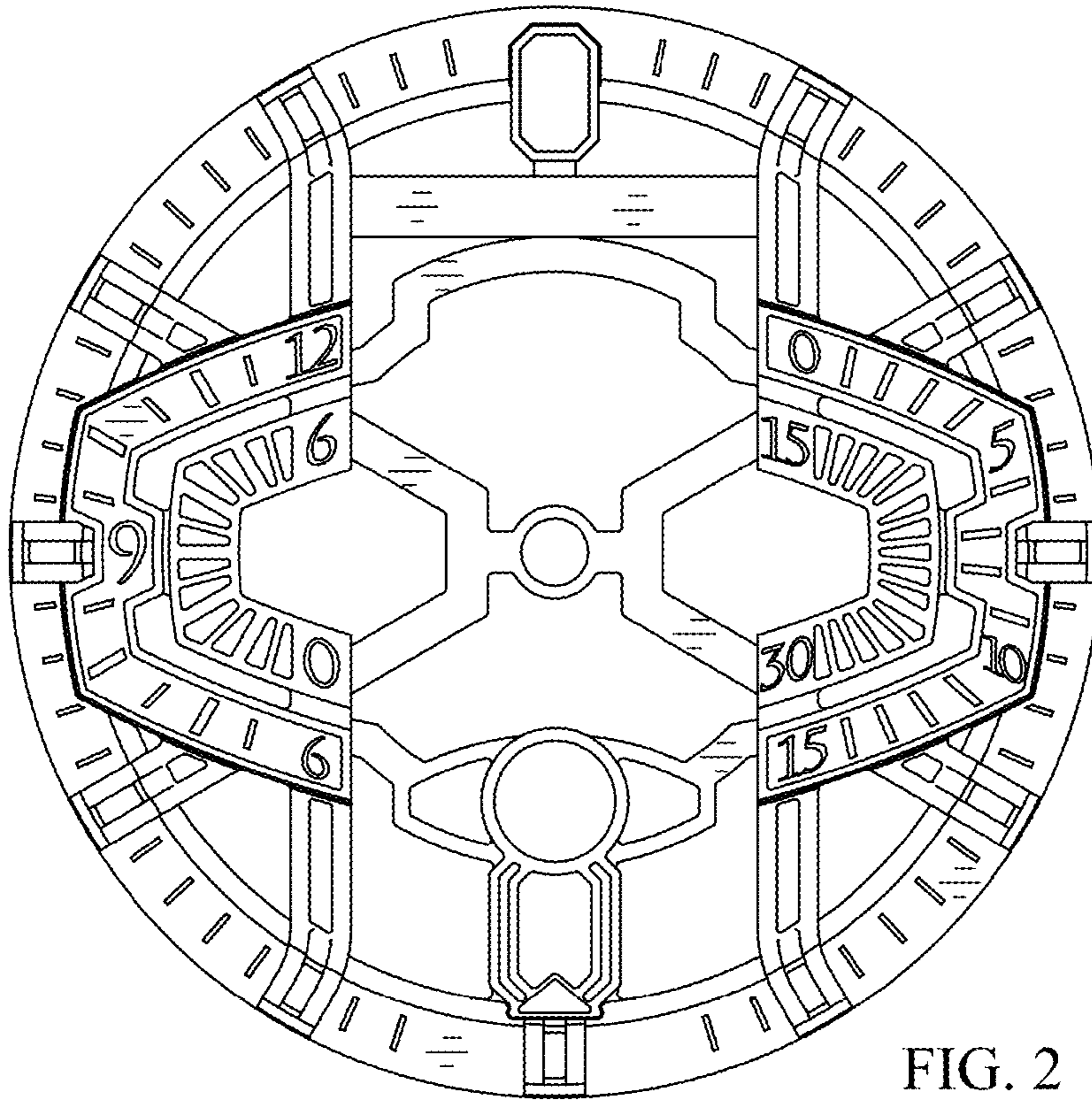


FIG. 2

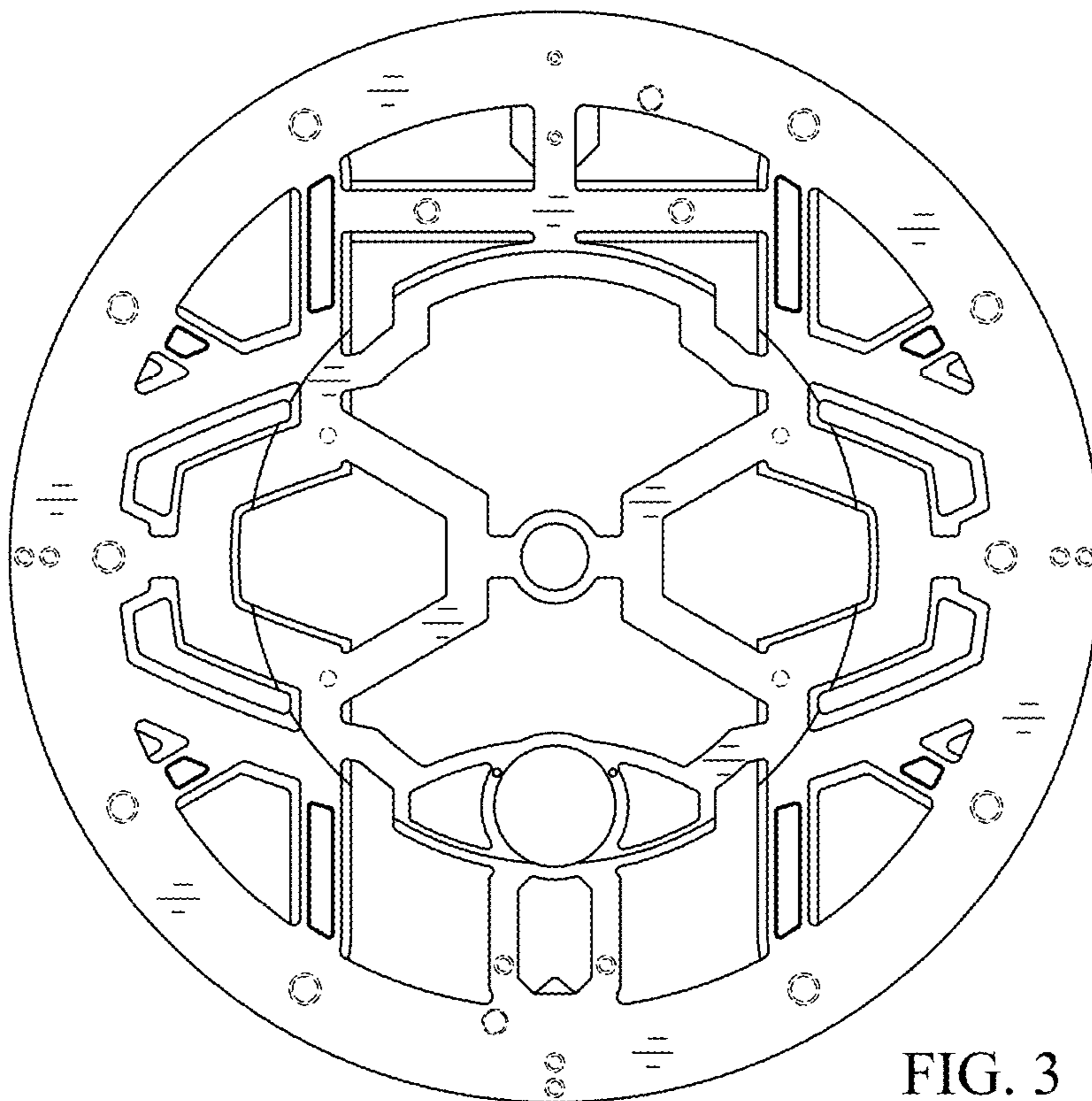


FIG. 3

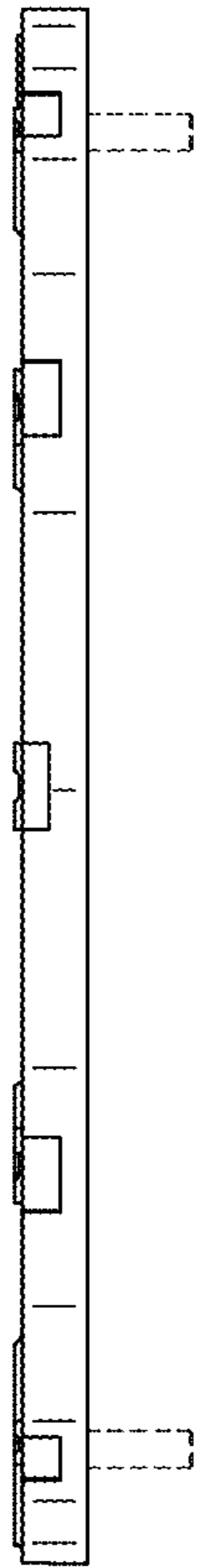


FIG. 4

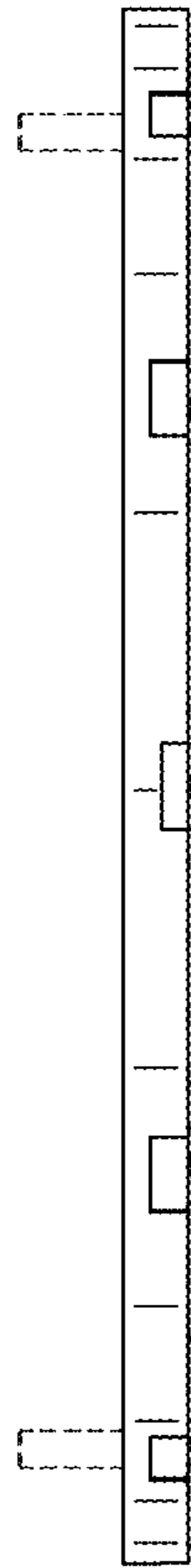


FIG. 5

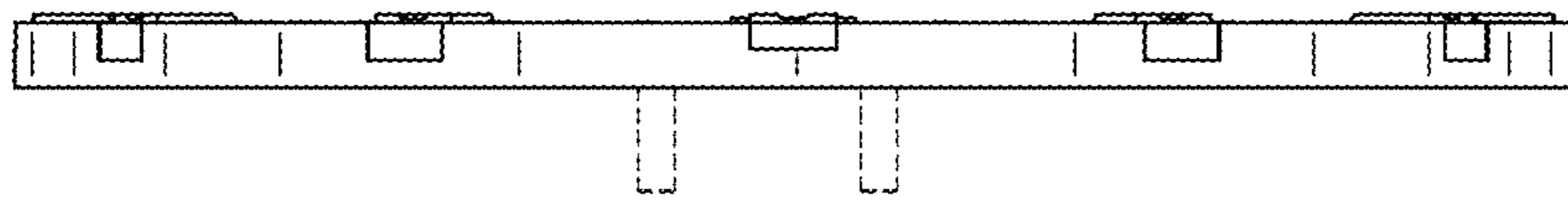


FIG. 6

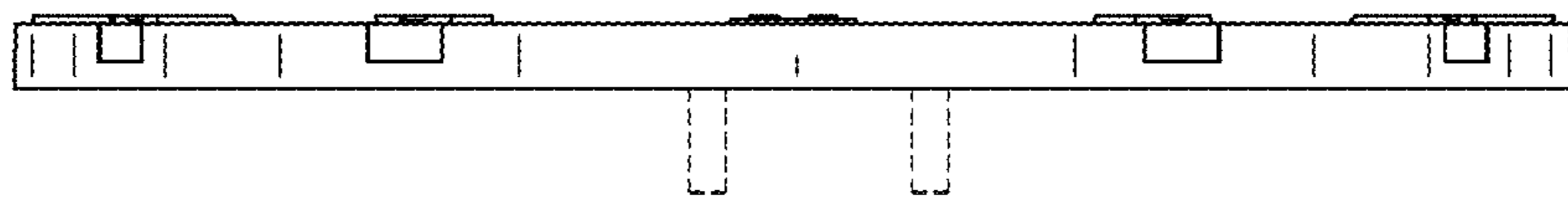


FIG. 7