



US00D768015S

(12) **United States Design Patent** (10) **Patent No.:** **US D768,015 S**
Yang (45) **Date of Patent:** **** Oct. 4, 2016**

(54) **WIRELESS DOORBELL PUSH BUTTON**
(71) Applicant: **1Byone Products Inc.**, Ontario, CA (US)
(72) Inventor: **Ruishi Yang**, Shenzhen (CN)
(73) Assignee: **1ByOne Products Inc.**, Ontario, CA (US)
(**) Term: **14 Years**
(21) Appl. No.: **29/526,080**
(22) Filed: **May 6, 2015**
(51) **LOC (10) Cl.** **10-05**
(52) **U.S. Cl.**
USPC **D10/118.2**
(58) **Field of Classification Search**
USPC D10/116.1, 118.1, 118.2, 114.1, 104.1, D10/50, 106.2; D14/314
CPC G08B 1/08; G08B 15/001; G06Q 30/08; A01K 15/02
See application file for complete search history.

D647,896 S * 11/2011 Chen D14/314
D724,462 S * 3/2015 Bould D10/106.2
D725,324 S * 3/2015 Schrick D10/104.1
D750,992 S * 3/2016 Perez D10/104.1
D755,657 S * 5/2016 Xu D10/104.1
D759,012 S * 6/2016 Golden D10/50
2004/0124978 A1* 7/2004 Chen G08B 15/001 340/539.14

* cited by examiner

Primary Examiner — George D Kirschbaum
(74) *Attorney, Agent, or Firm* — Tsz Lung Yeung

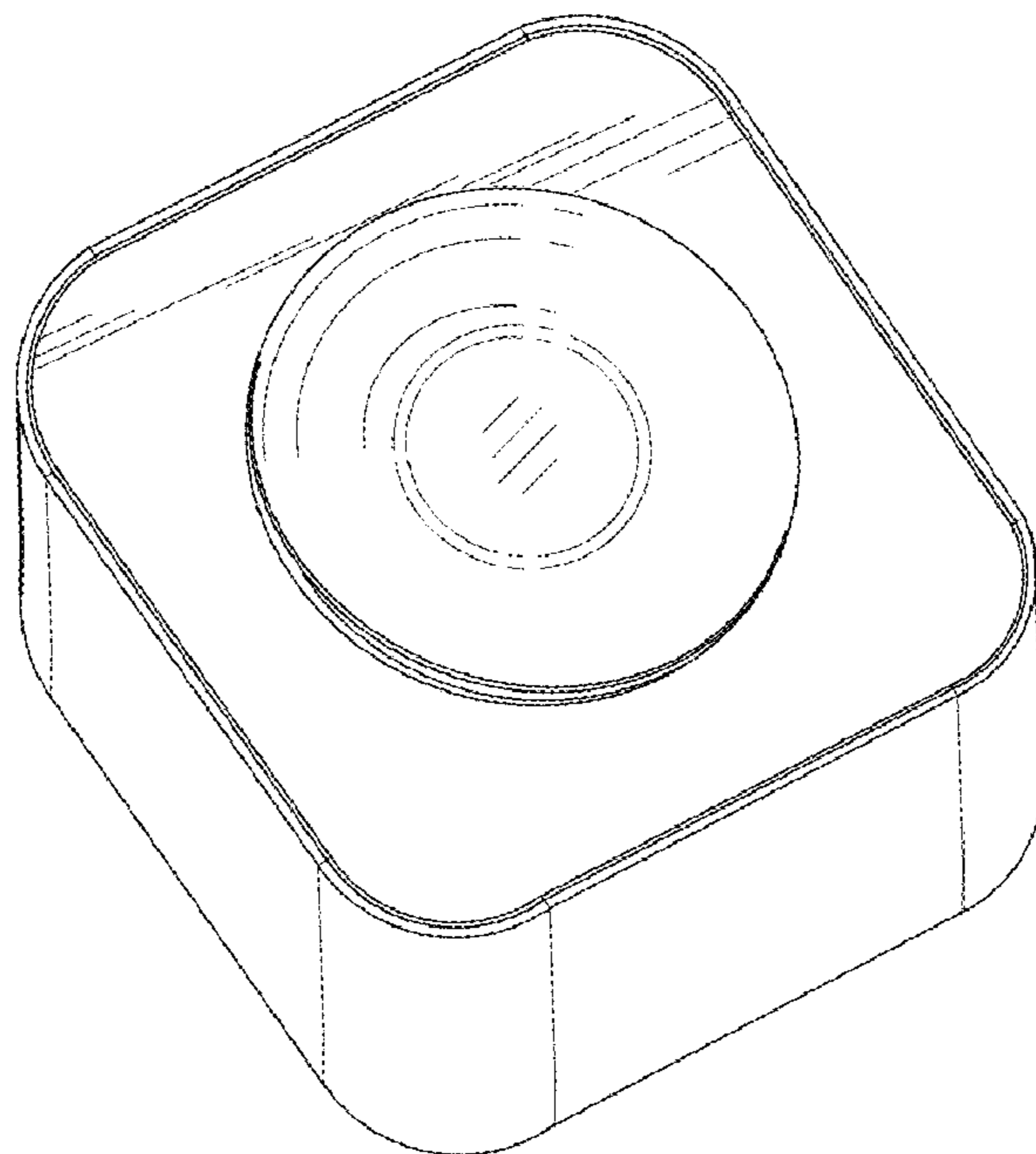
(57) **CLAIM**
The ornamental design for a wireless doorbell push button, substantially as shown and described.

DESCRIPTION

FIG. 1 is a perspective view of a wireless doorbell push button showing my new design.
FIG. 2 is a front end view thereof.
FIG. 3 is a rear end view thereof.
FIG. 4 is a right side view thereof.
FIG. 5 is a left side view thereof.
FIG. 6 is a top view thereof.
FIG. 7 is a bottom view thereof.
FIG. 8 is an enlarged view of FIG. 3 thereof; and,
FIG. 9 is a top view of the wireless doorbell push button showing my new design in use with a paired doorbell receiver.
The broken line portions of FIGS. 7 and 9 are included to show unclaimed subject matters only and form no part of the claimed design.

(56) **References Cited**
U.S. PATENT DOCUMENTS
D344,036 S * 2/1994 Yuen D10/118
6,606,030 B2 * 8/2003 Vena A01K 15/02 119/174
6,775,523 B2 * 8/2004 Bentley G08B 1/08 340/539.1
7,126,490 B2 * 10/2006 Cole, Sr. G06Q 30/08 340/384.1

1 Claim, 6 Drawing Sheets



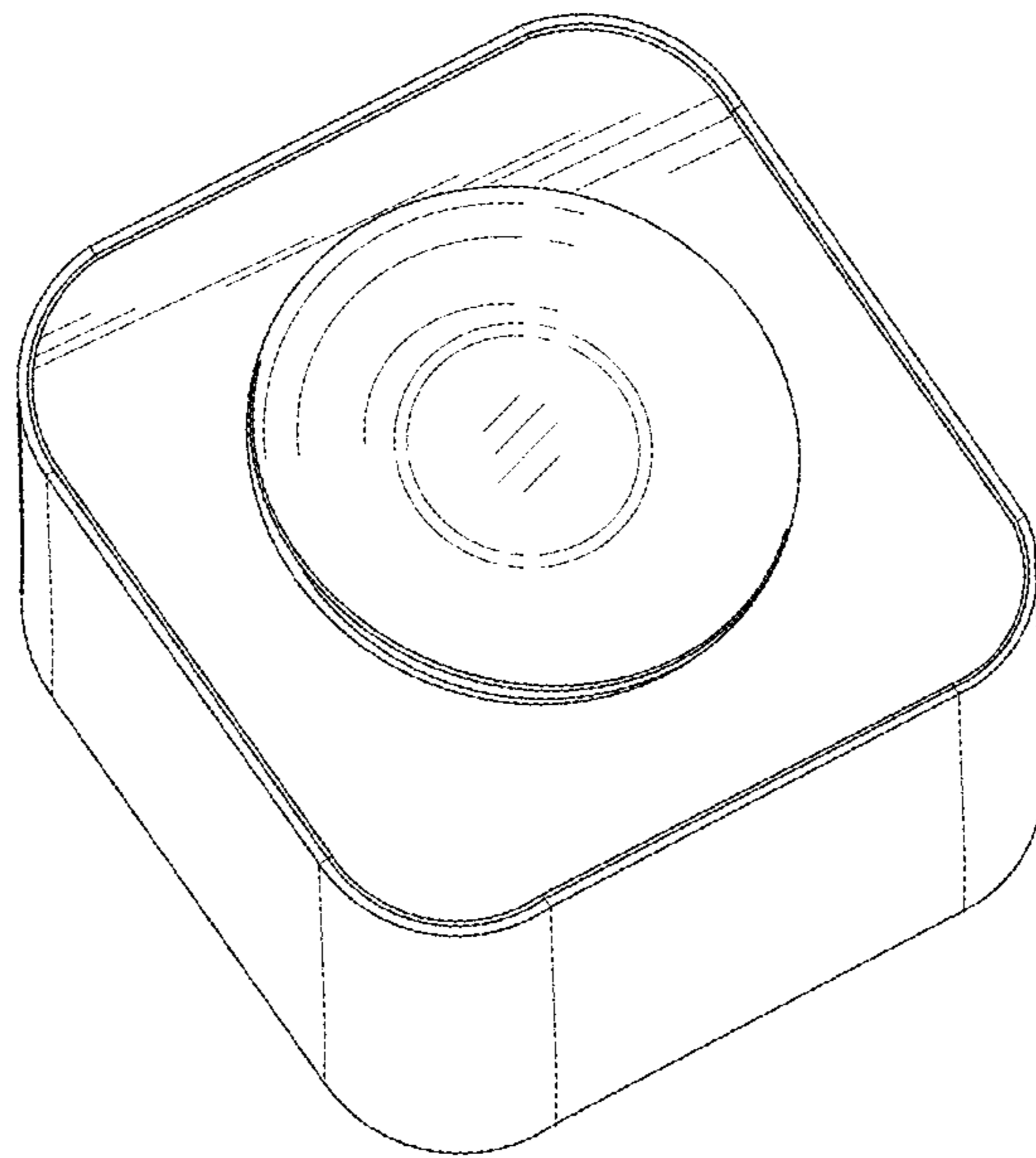


FIG.1

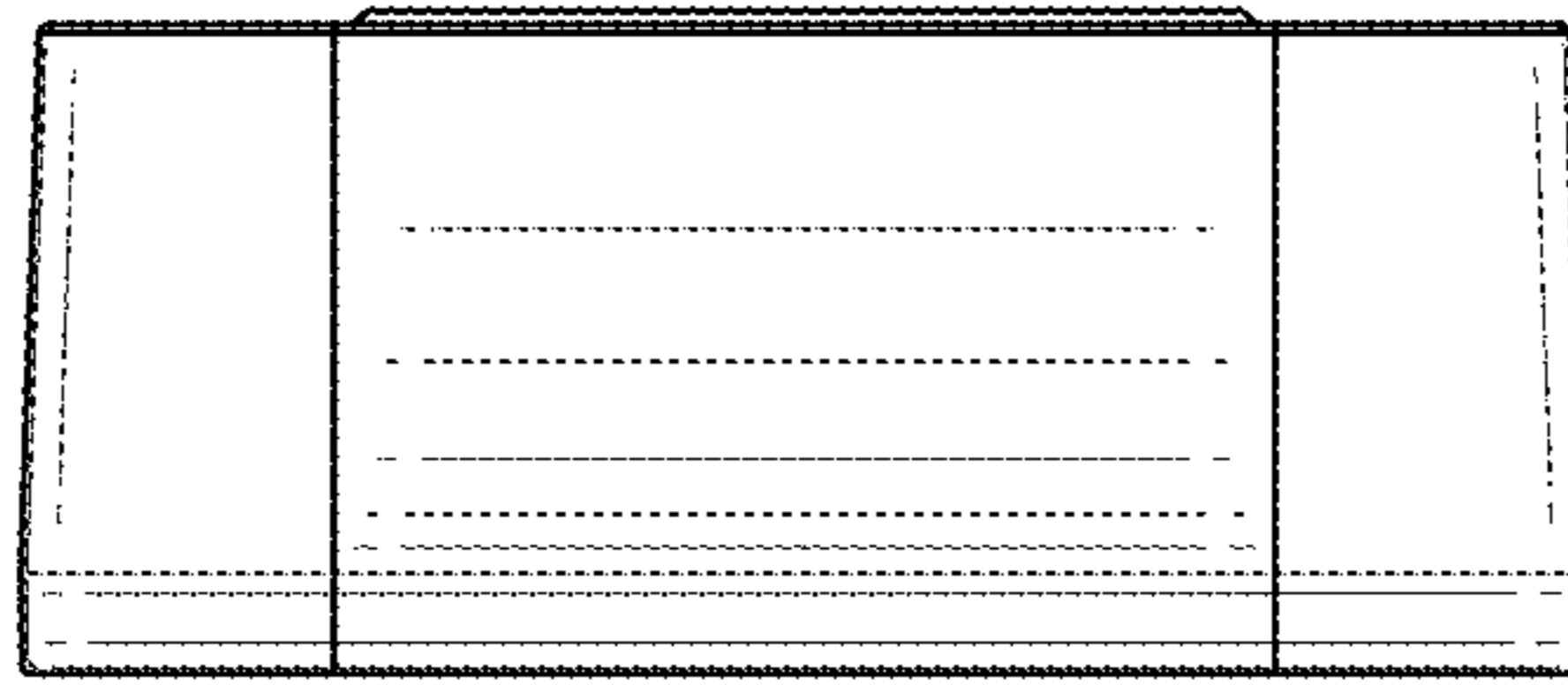


FIG. 2

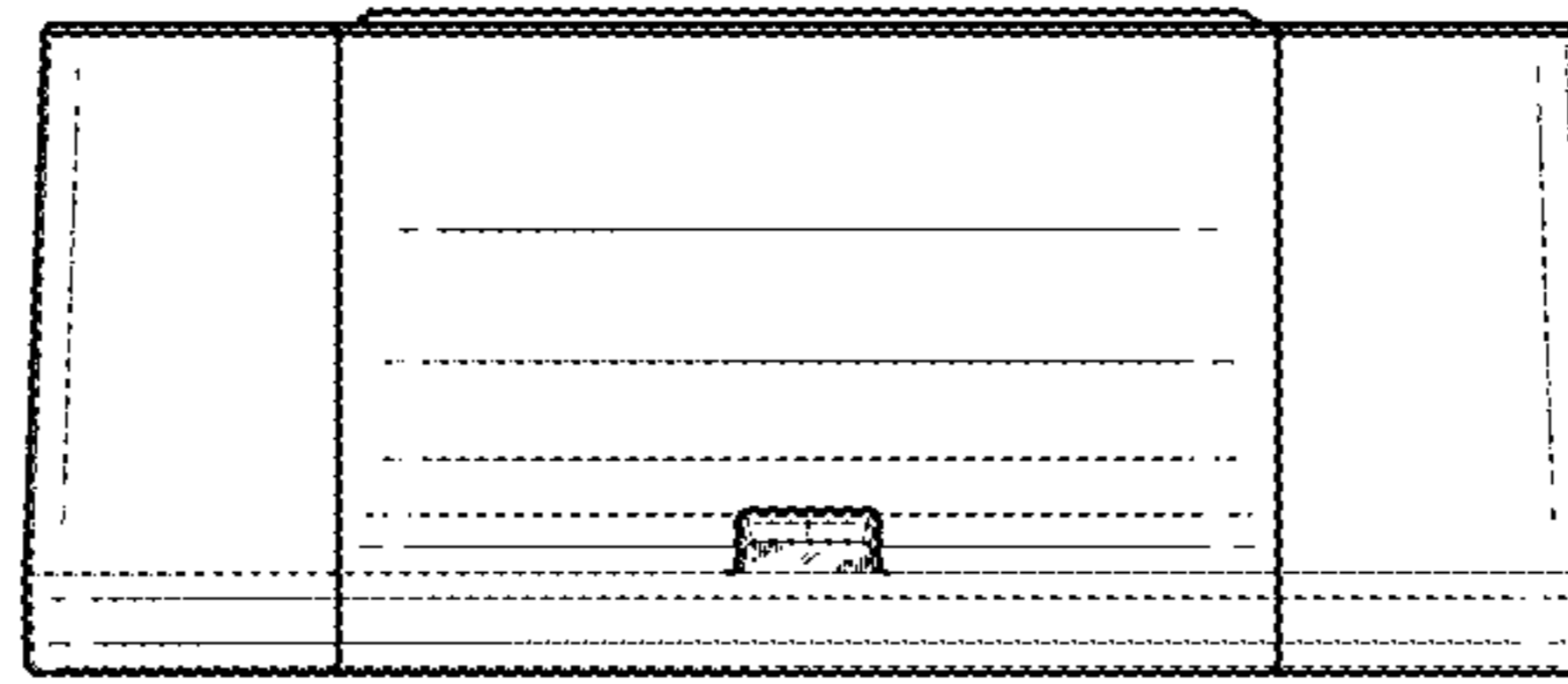


FIG. 3

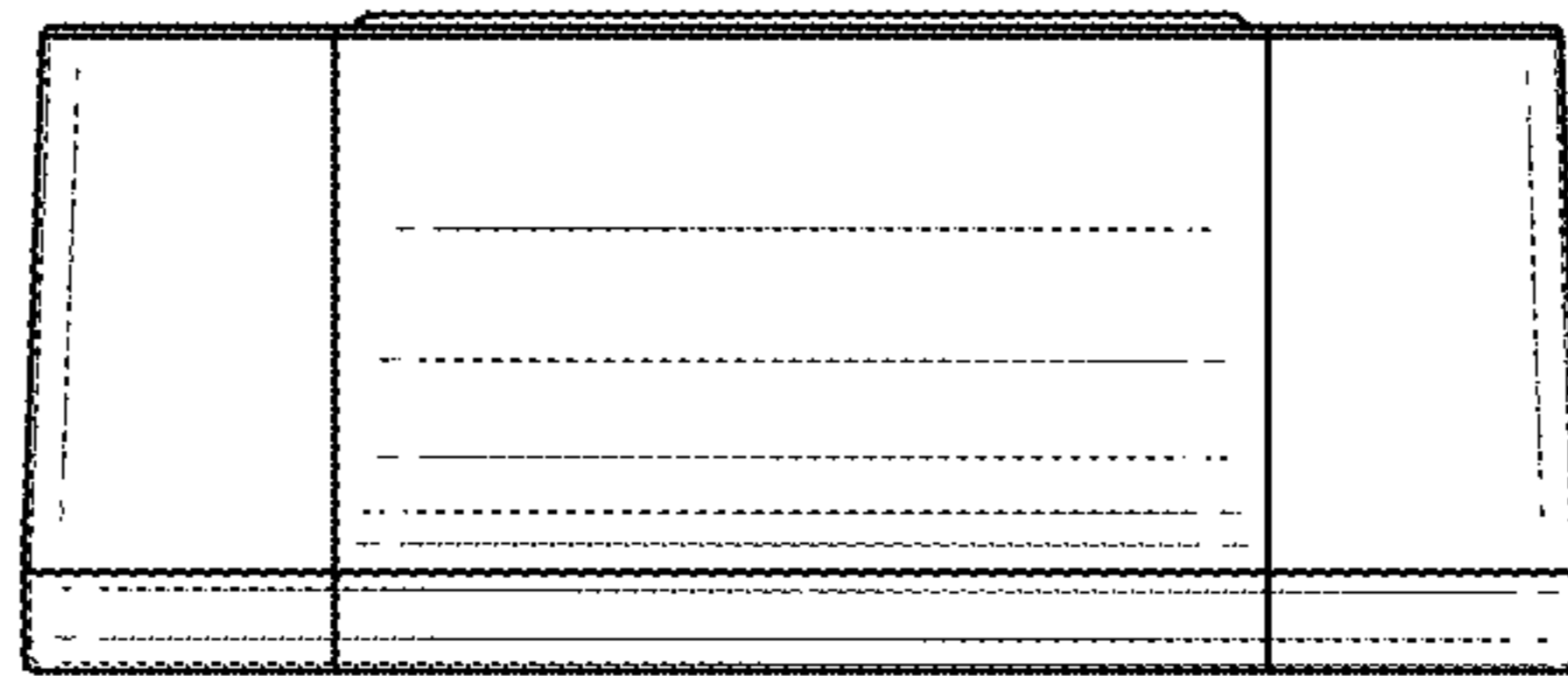


FIG. 4

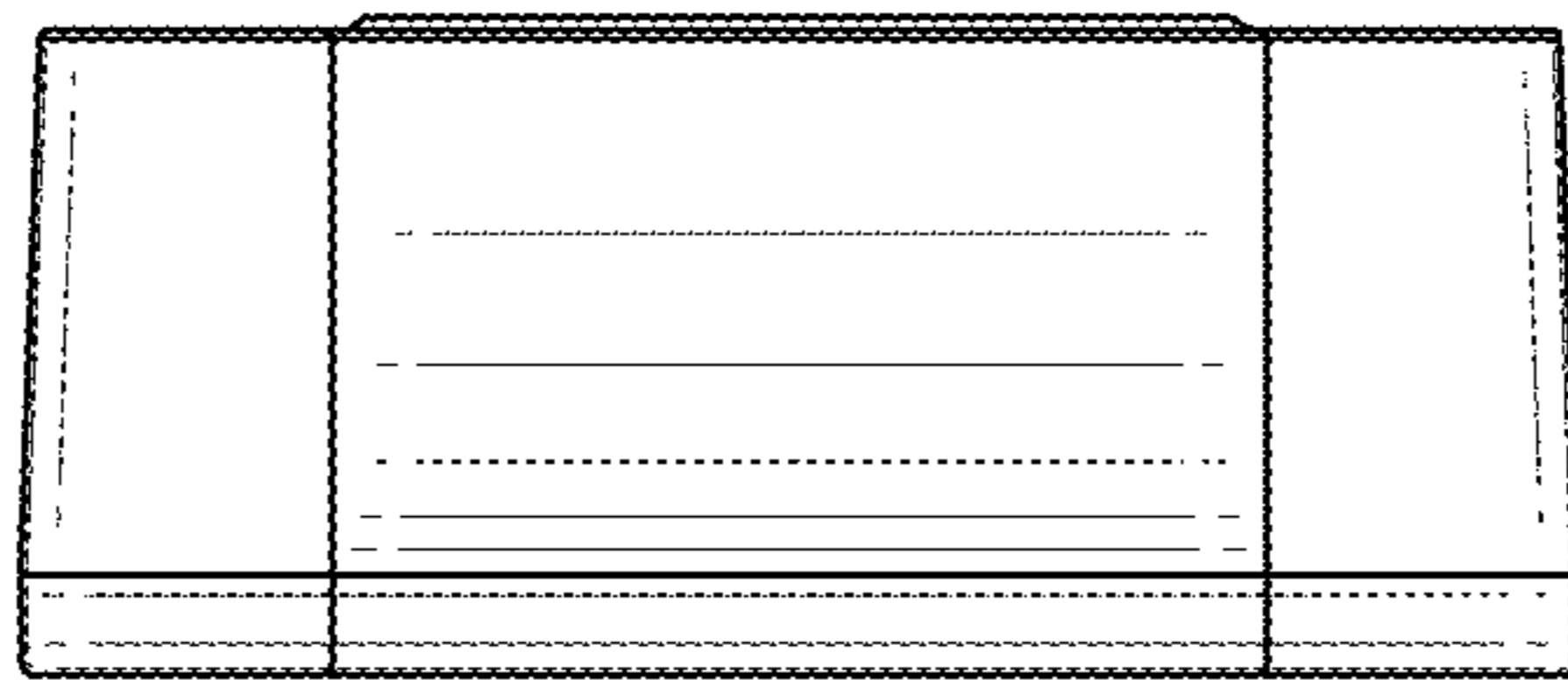


FIG. 5

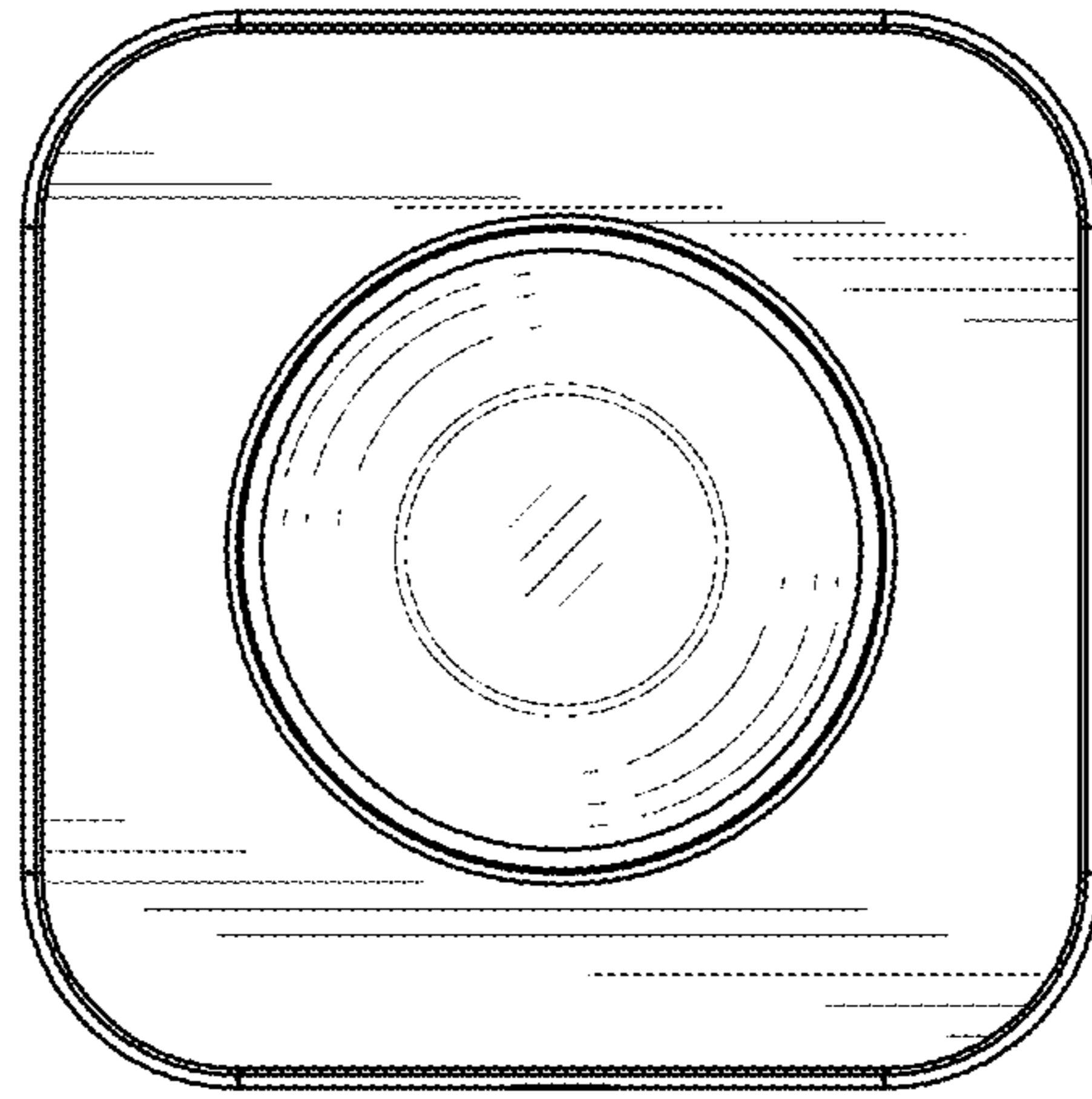


FIG. 6

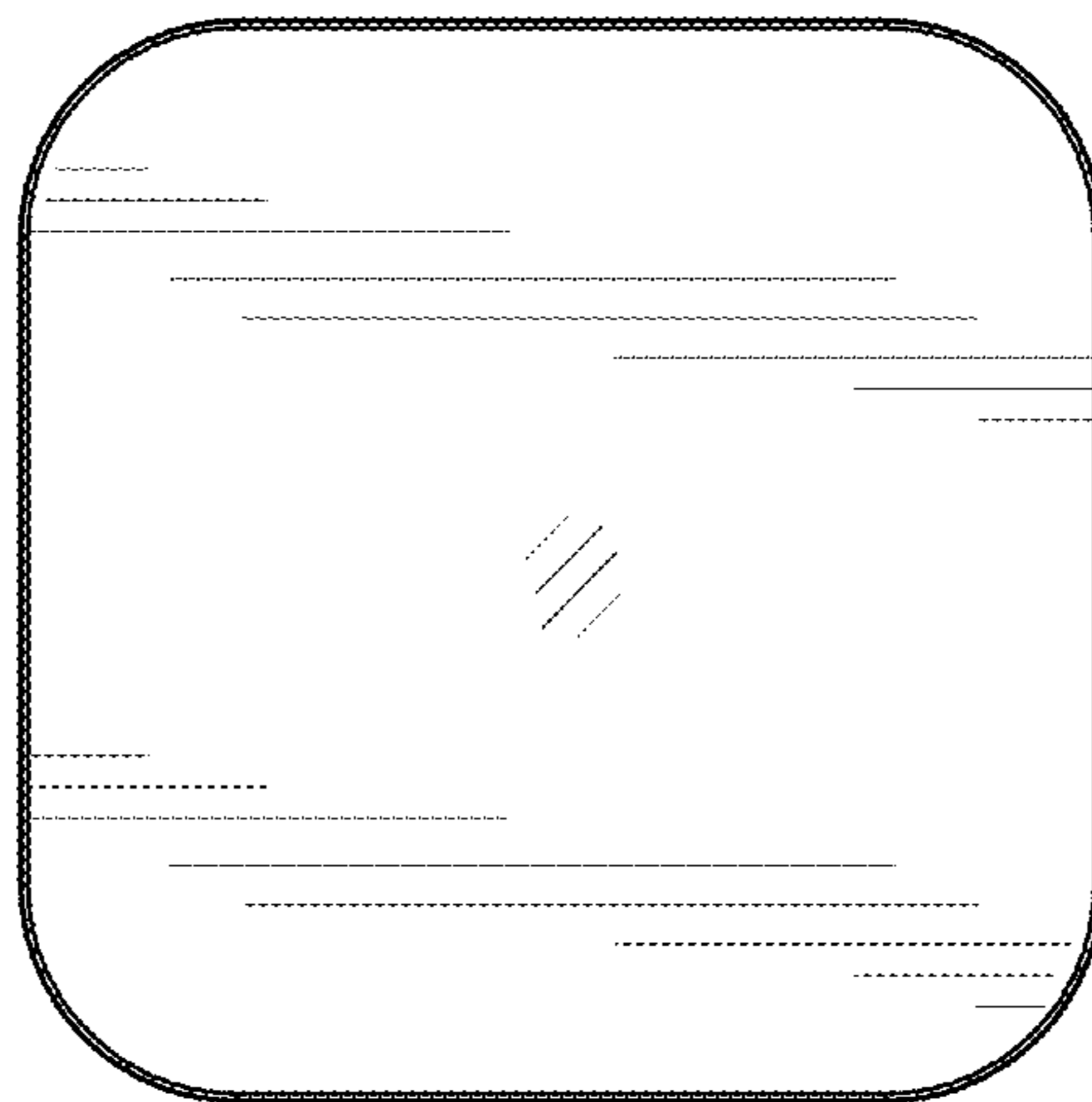


FIG. 7

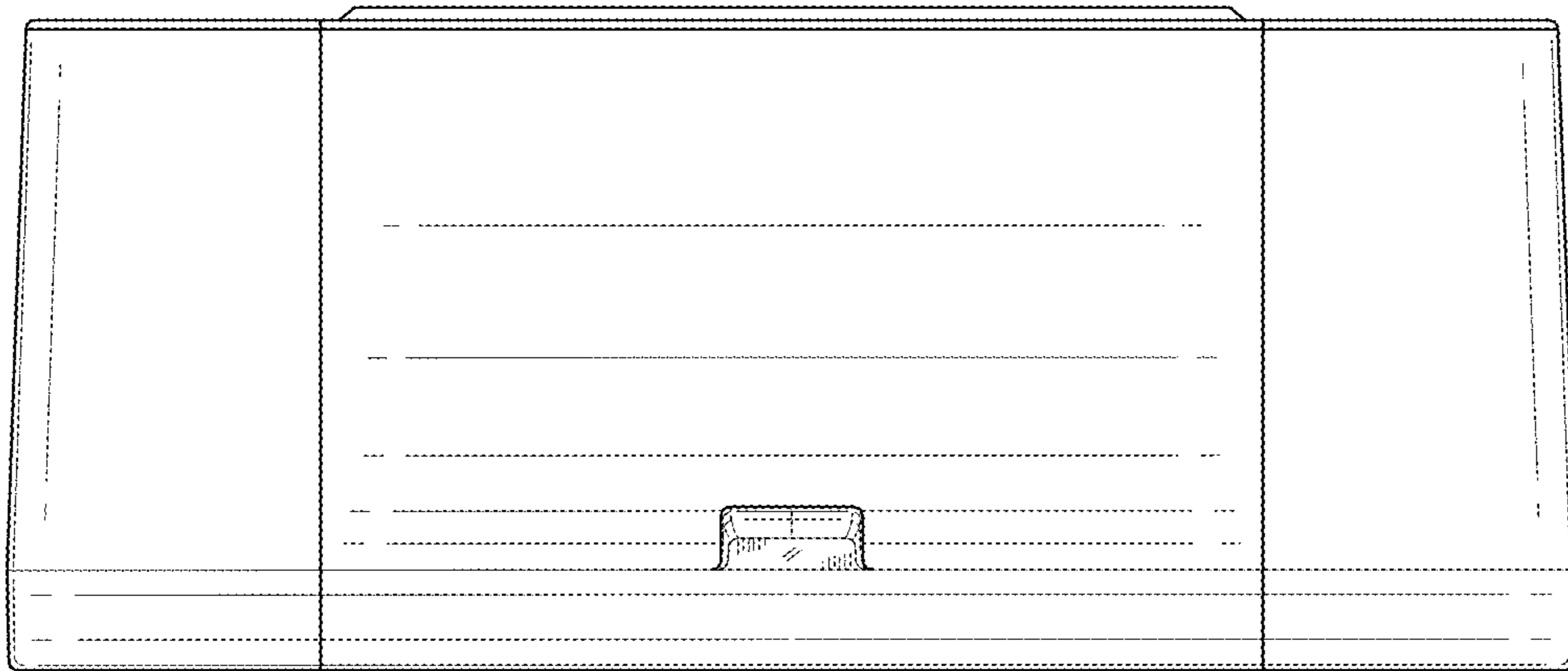


FIG.8

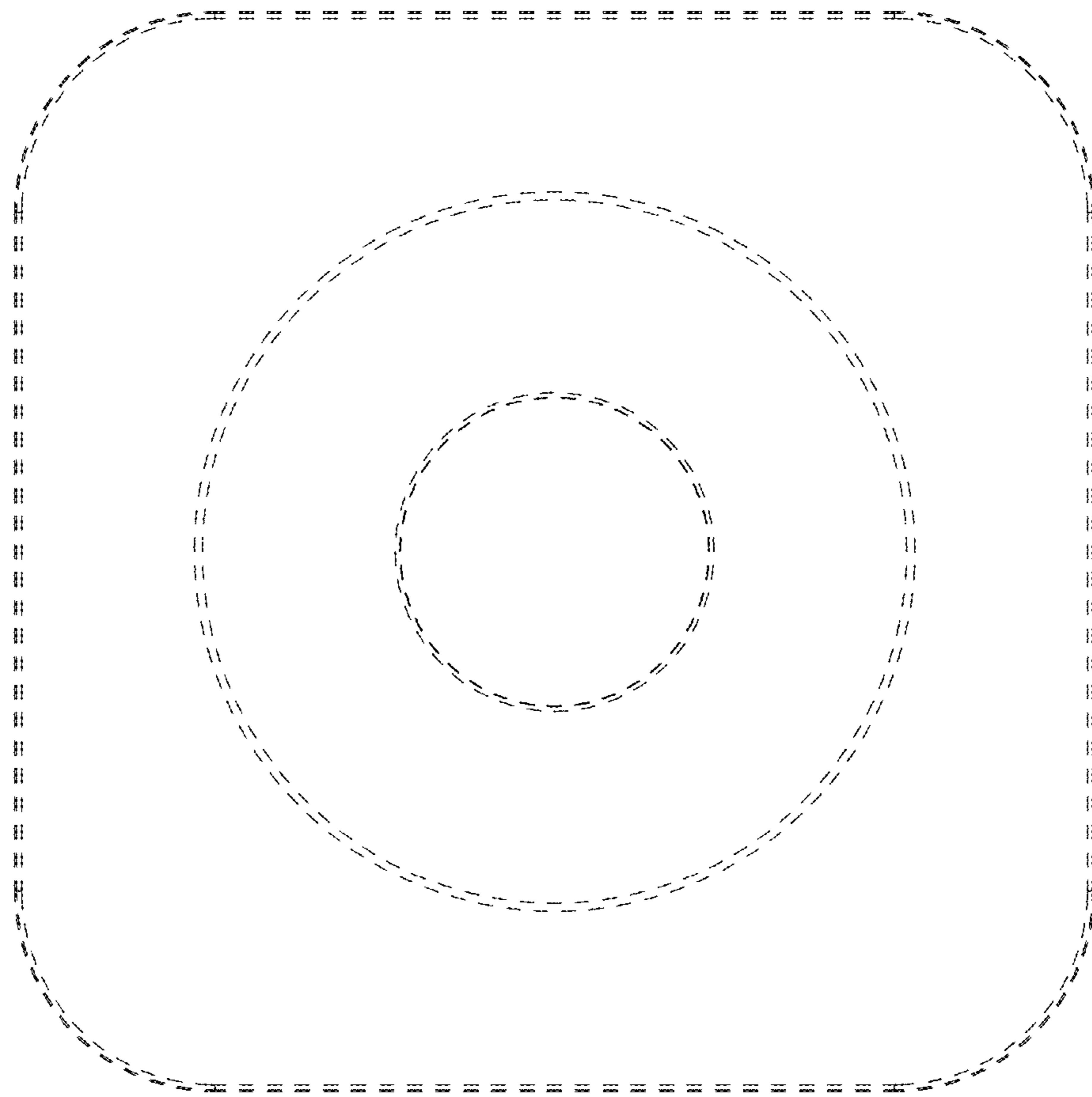
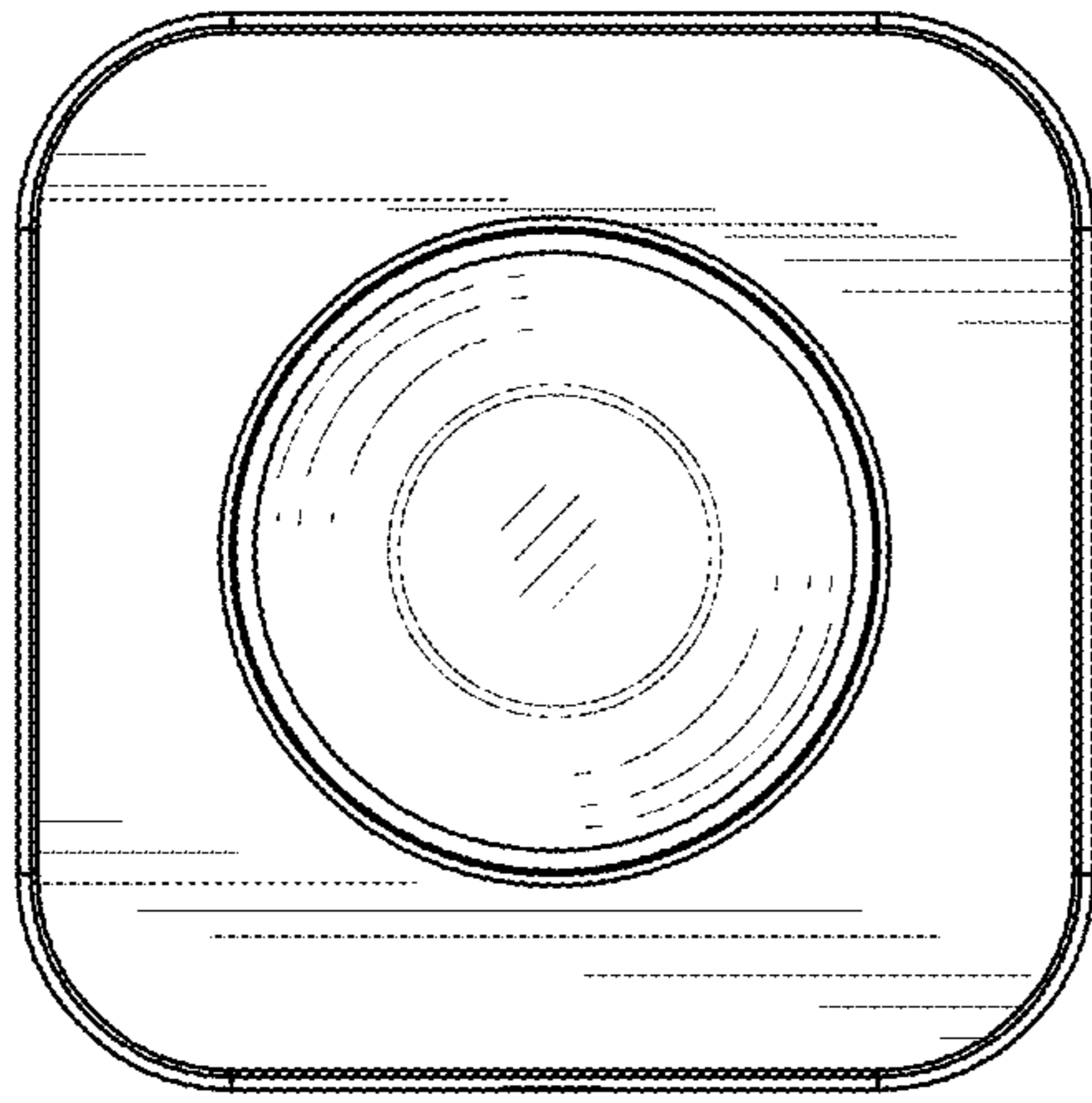


FIG.9