



US00D768014S

(12) **United States Design Patent** (10) **Patent No.:** **US D768,014 S**
Yang (45) **Date of Patent:** **** Oct. 4, 2016**

(54) **WIRELESS DOORBELL RECEIVER**

(71) Applicant: **1Byone Products Inc.**, Ontario, CA
(US)

(72) Inventor: **Ruishi Yang**, Shenzhen (CN)

(73) Assignee: **1ByOne Products Inc.**, Ontario, CA
(US)

(**) Term: **14 Years**

(21) Appl. No.: **29/526,074**

(22) Filed: **May 6, 2015**

(51) **LOC (10) Cl.** **10-05**

(52) **U.S. Cl.**
USPC **D10/118.2**

(58) **Field of Classification Search**
USPC D10/116.1, 118.1, 118.2, 114.1, 104.1,
D10/50; D14/314
CPC G08B 1/08; G08B 15/001; G06Q 30/08;
A01K 15/02
See application file for complete search history.

(56) **References Cited**

U.S. PATENT DOCUMENTS

D344,036 S * 2/1994 Yuen D10/118
6,606,030 B2 * 8/2003 Vena A01K 15/02
119/174
6,775,523 B2 * 8/2004 Bentley G08B 1/08
340/539.1
7,126,490 B2 * 10/2006 Cole, Sr. G06Q 30/08
340/384.1
D647,896 S * 11/2011 Chen D14/314

D724,462 S * 3/2015 Bould D10/106.2
D725,324 S * 3/2015 Schrick D10/104.1
D750,992 S * 3/2016 Perez D10/104.1
D755,657 S * 5/2016 Xu D10/104.1
D759,012 S * 6/2016 Golden D10/50
2004/0124978 A1 * 7/2004 Chen G08B 15/001
340/539.14

* cited by examiner

Primary Examiner — George D Kirschbaum

(74) *Attorney, Agent, or Firm* — Tsz Lung Yeung

(57) **CLAIM**

The ornamental design for a wireless doorbell receiver, substantially as shown and described.

DESCRIPTION

FIG. 1 is a perspective view of a wireless doorbell receiver showing my new design.

FIG. 2 is a front end view thereof.

FIG. 3 is a rear end view thereof.

FIG. 4 is a right side view thereof.

FIG. 5 is a left side view thereof.

FIG. 6 is a top view thereof.

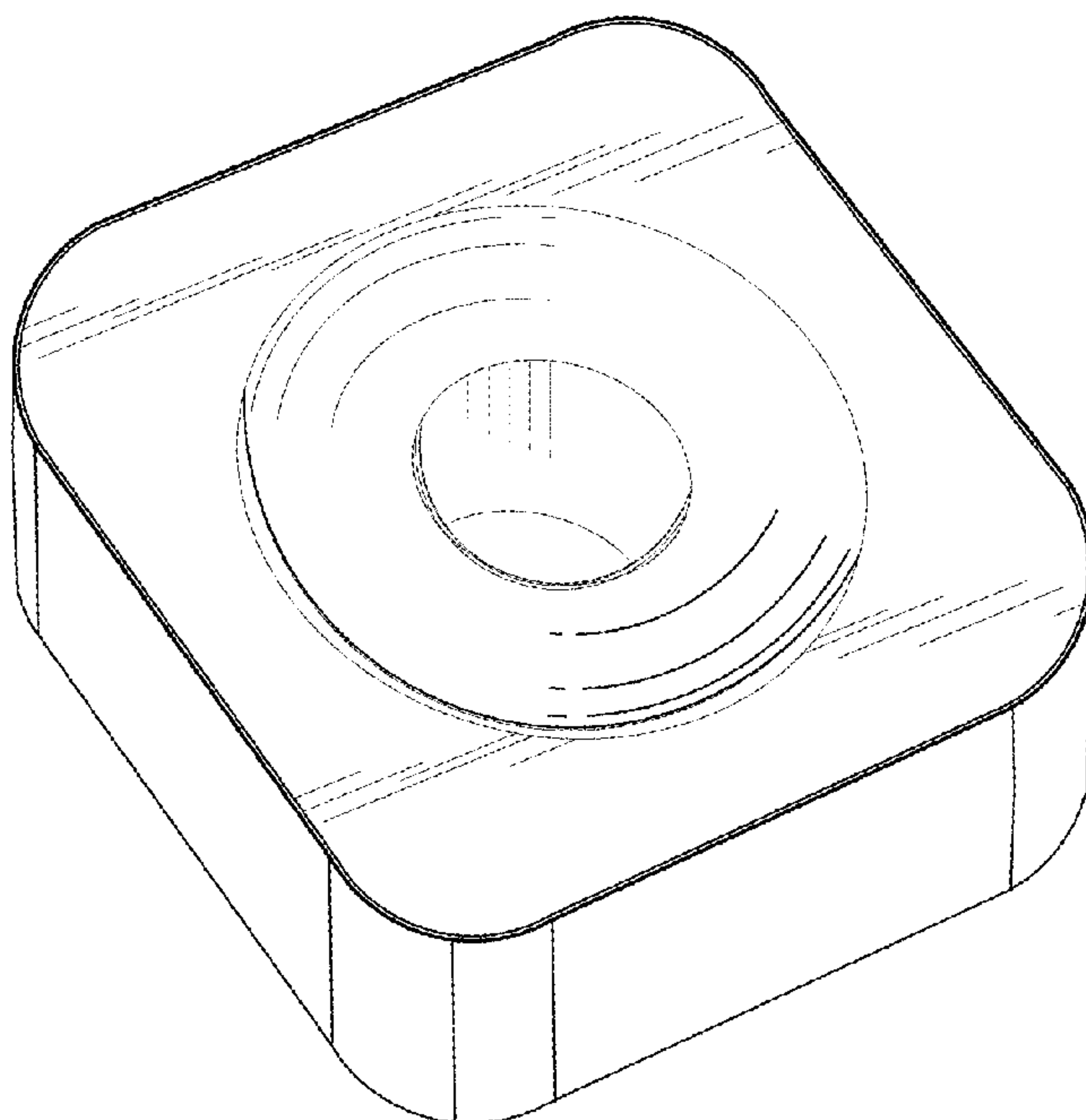
FIG. 7 is a bottom view thereof.

FIG. 8 is a top view of the wireless doorbell receiver showing my new design in use with a paired doorbell push button; and,

FIG. 9 is a perspective view of the wireless doorbell receiver showing my new design in use with a paired doorbell push button.

The broken line portions of FIGS. 7, 8 and 9 are included to show unclaimed subject matter only and form no part of the claimed design.

1 Claim, 7 Drawing Sheets



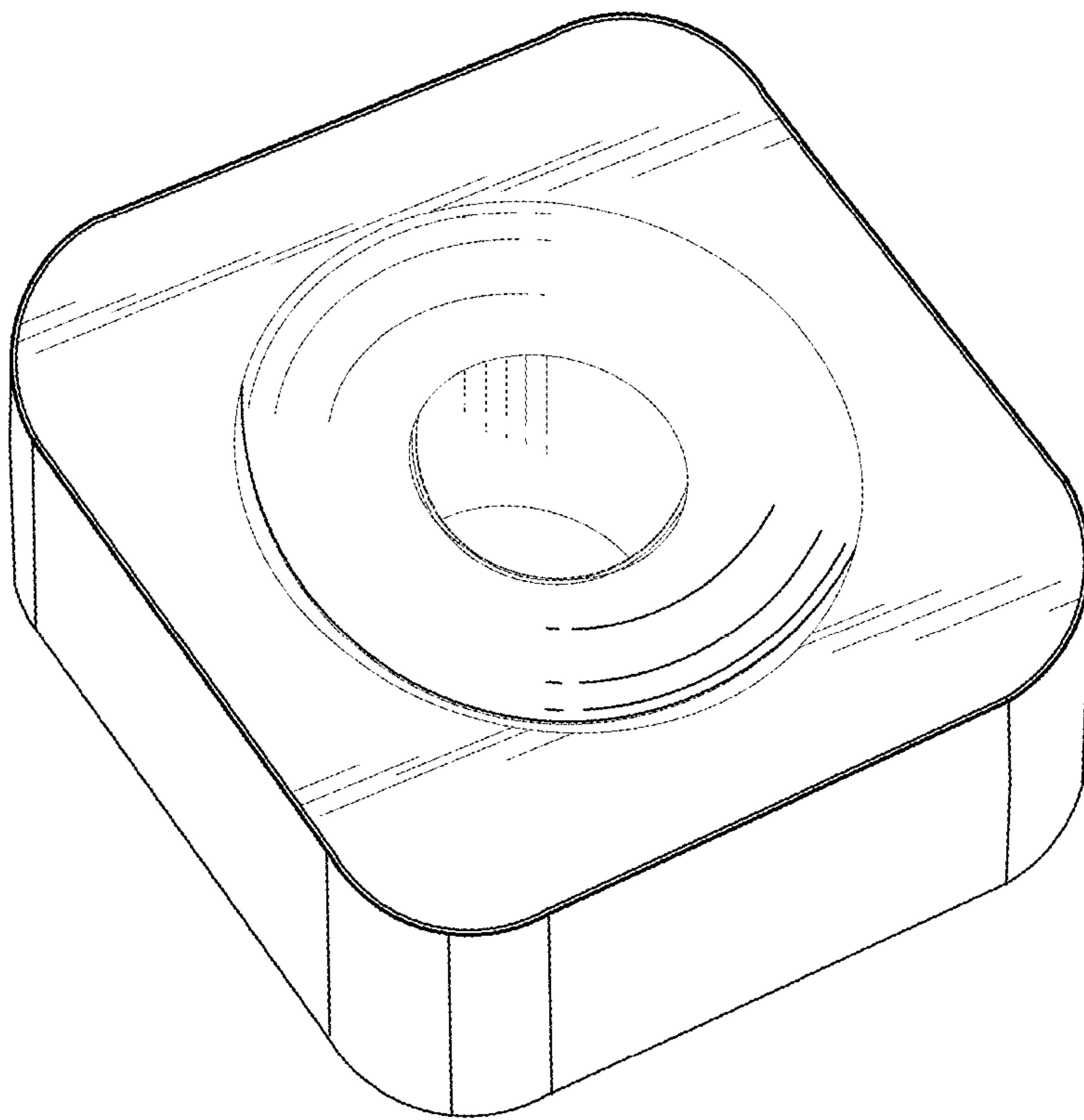


FIG.1

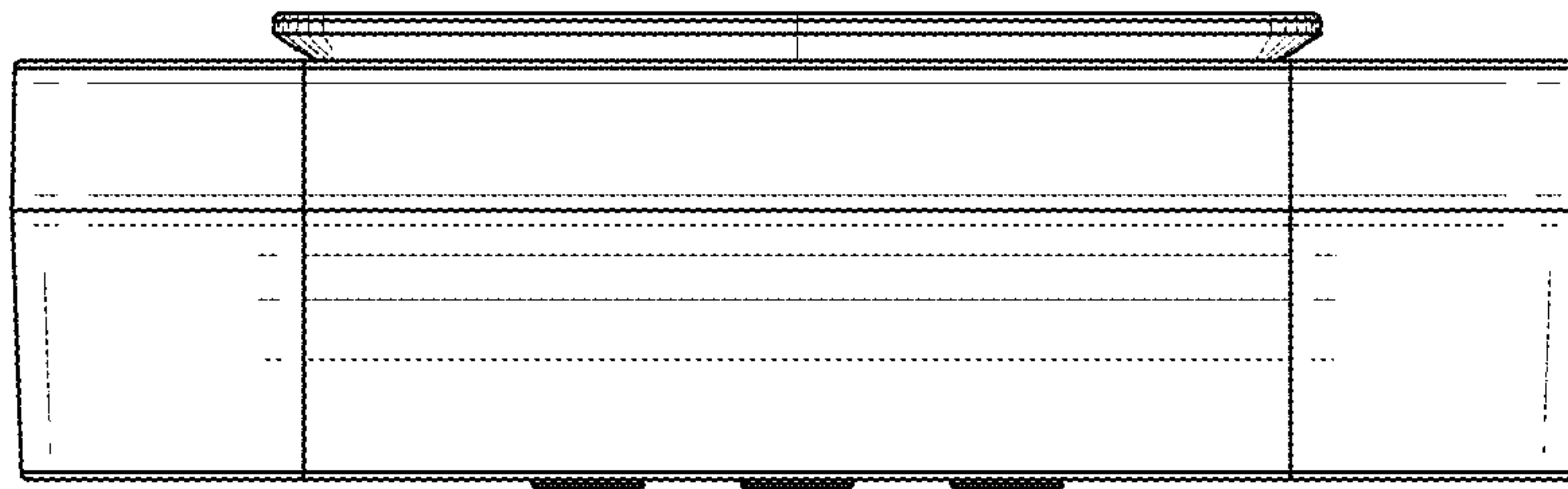


FIG. 2

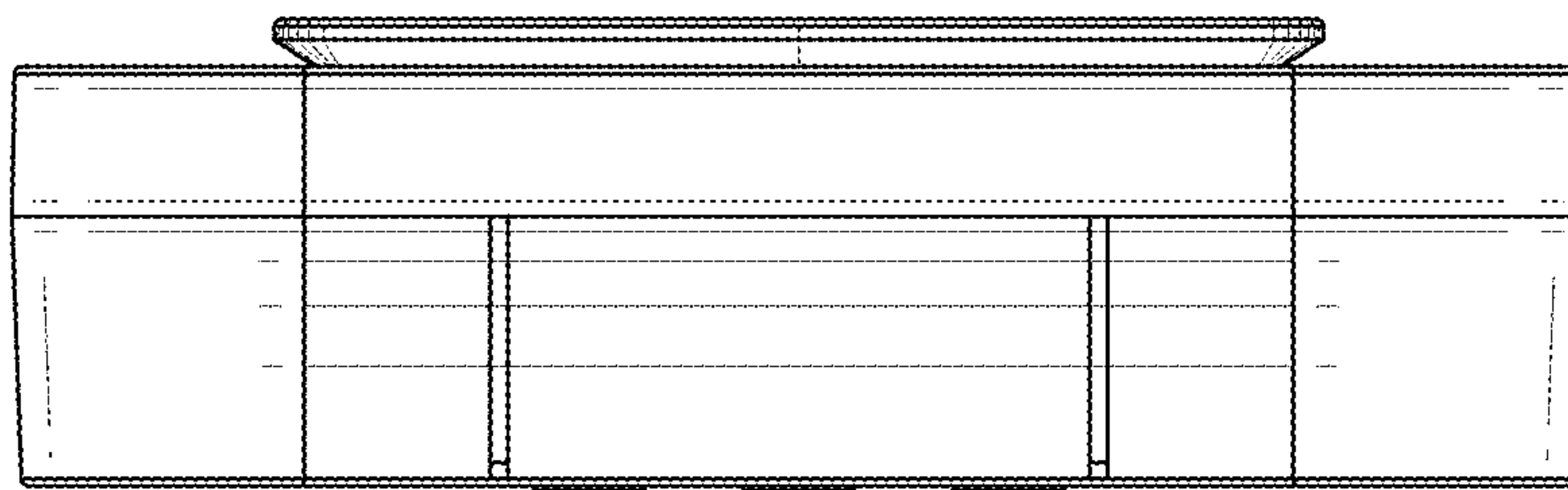


FIG. 3

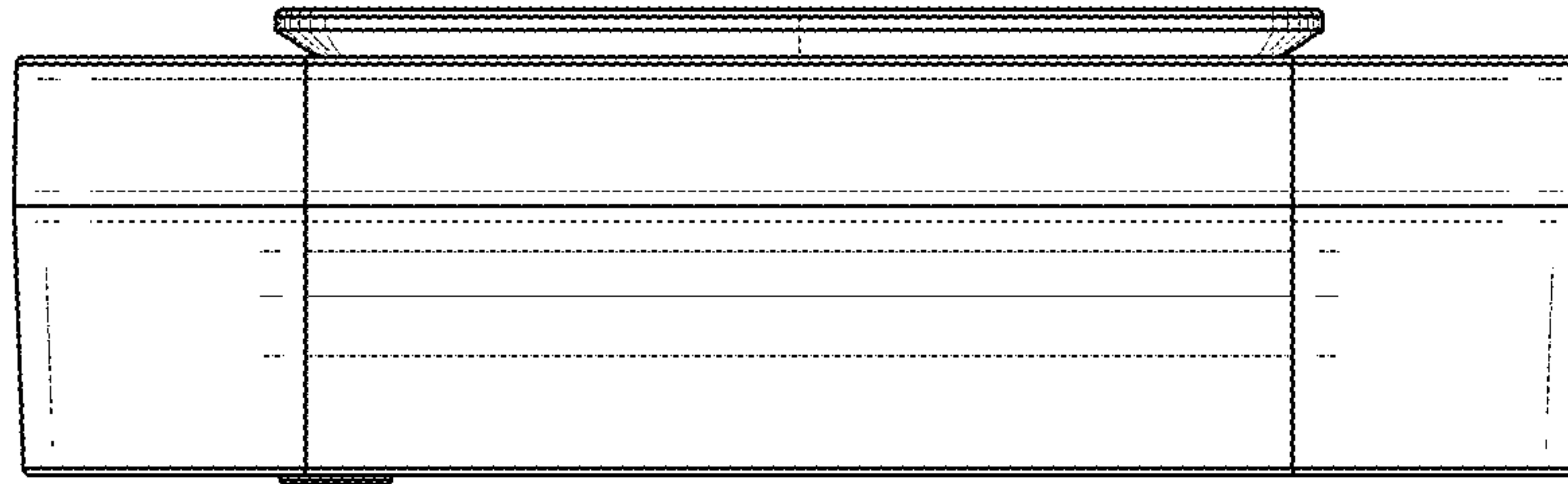


FIG. 4

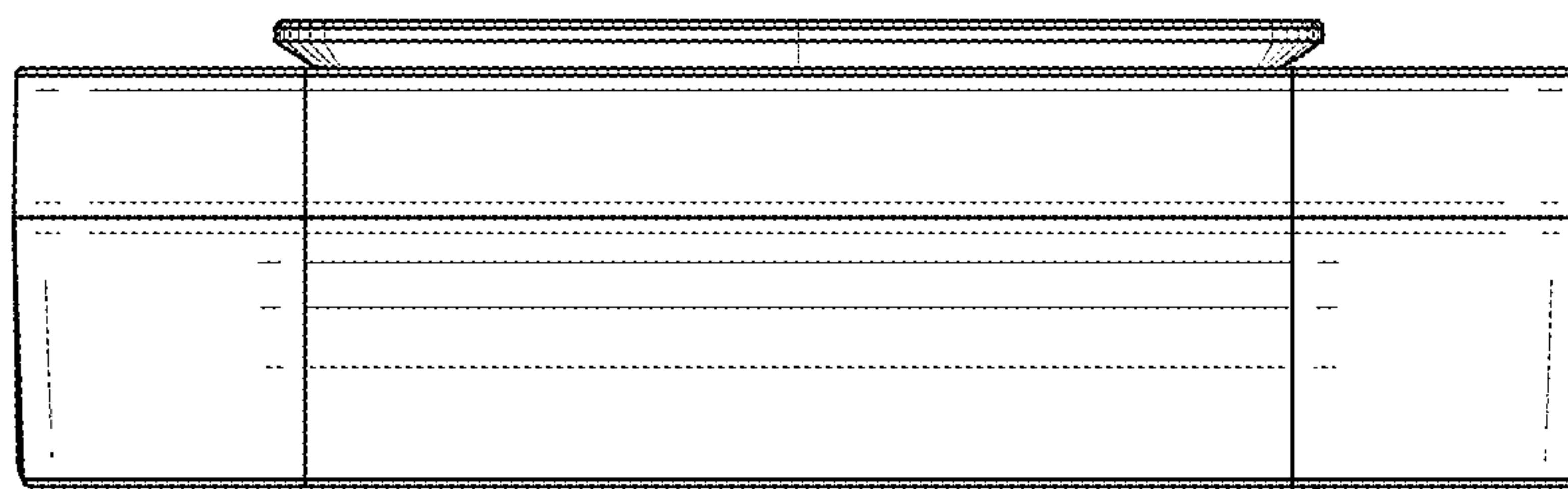


FIG. 5

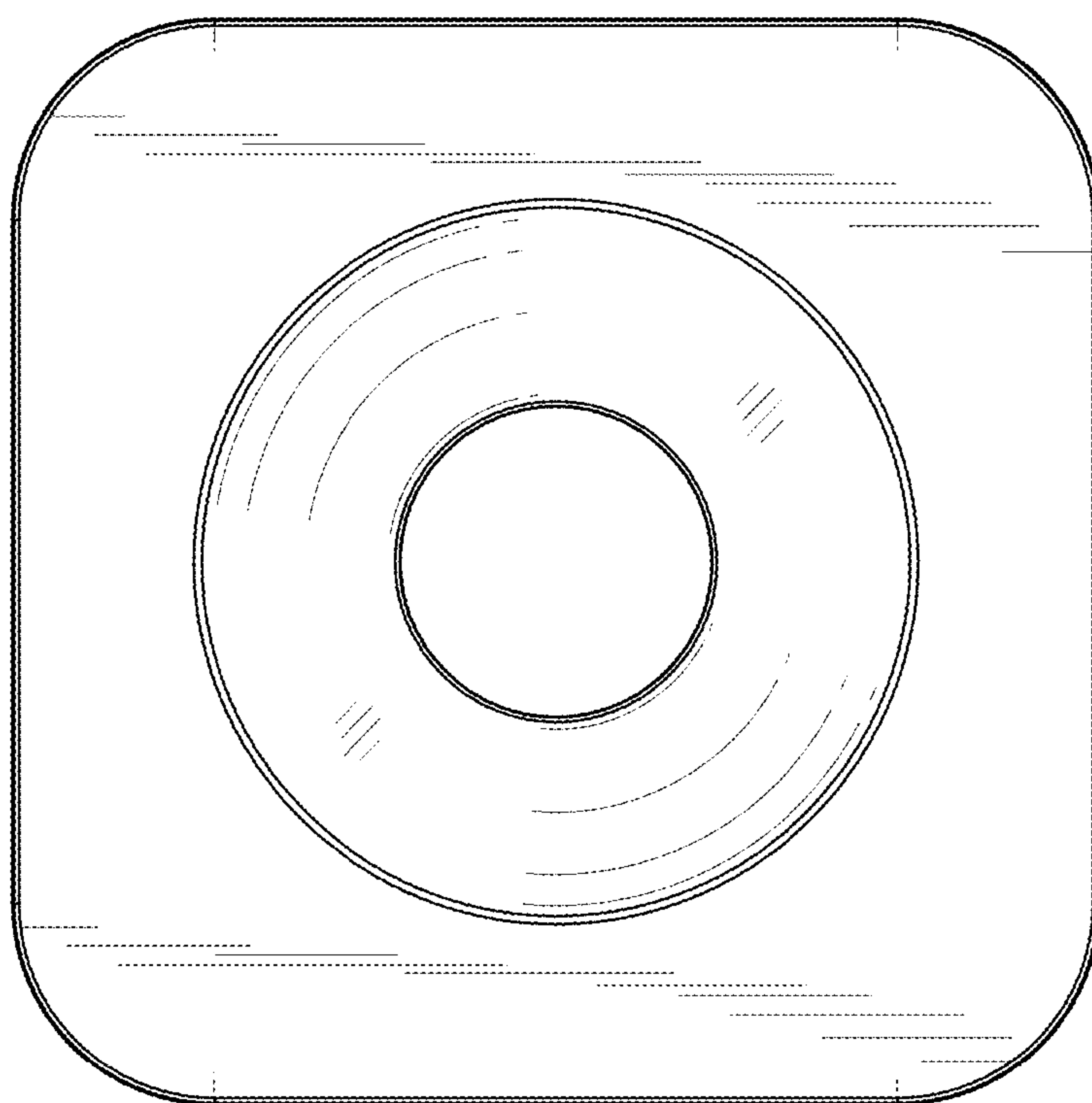


FIG.6

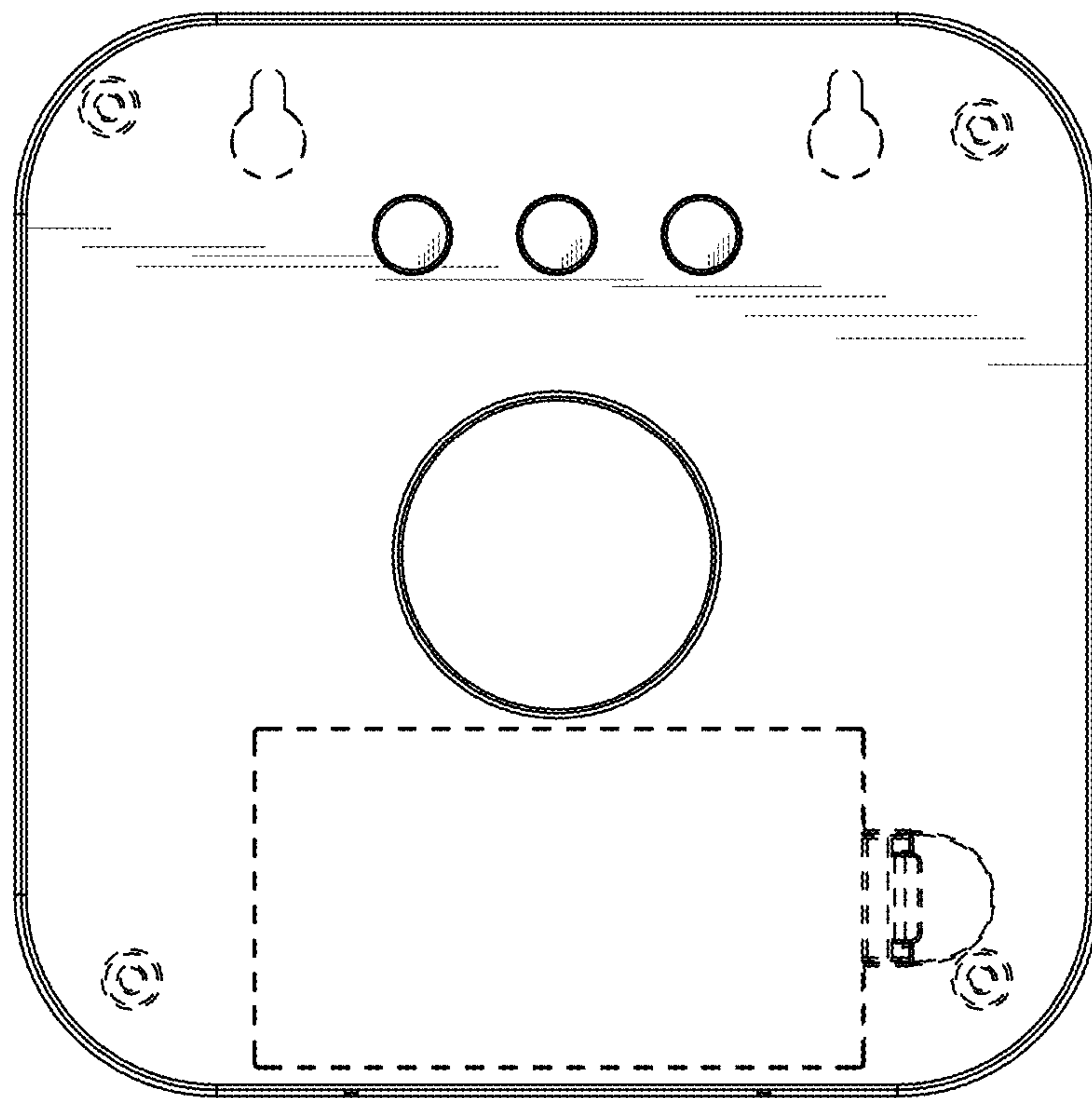


FIG.7

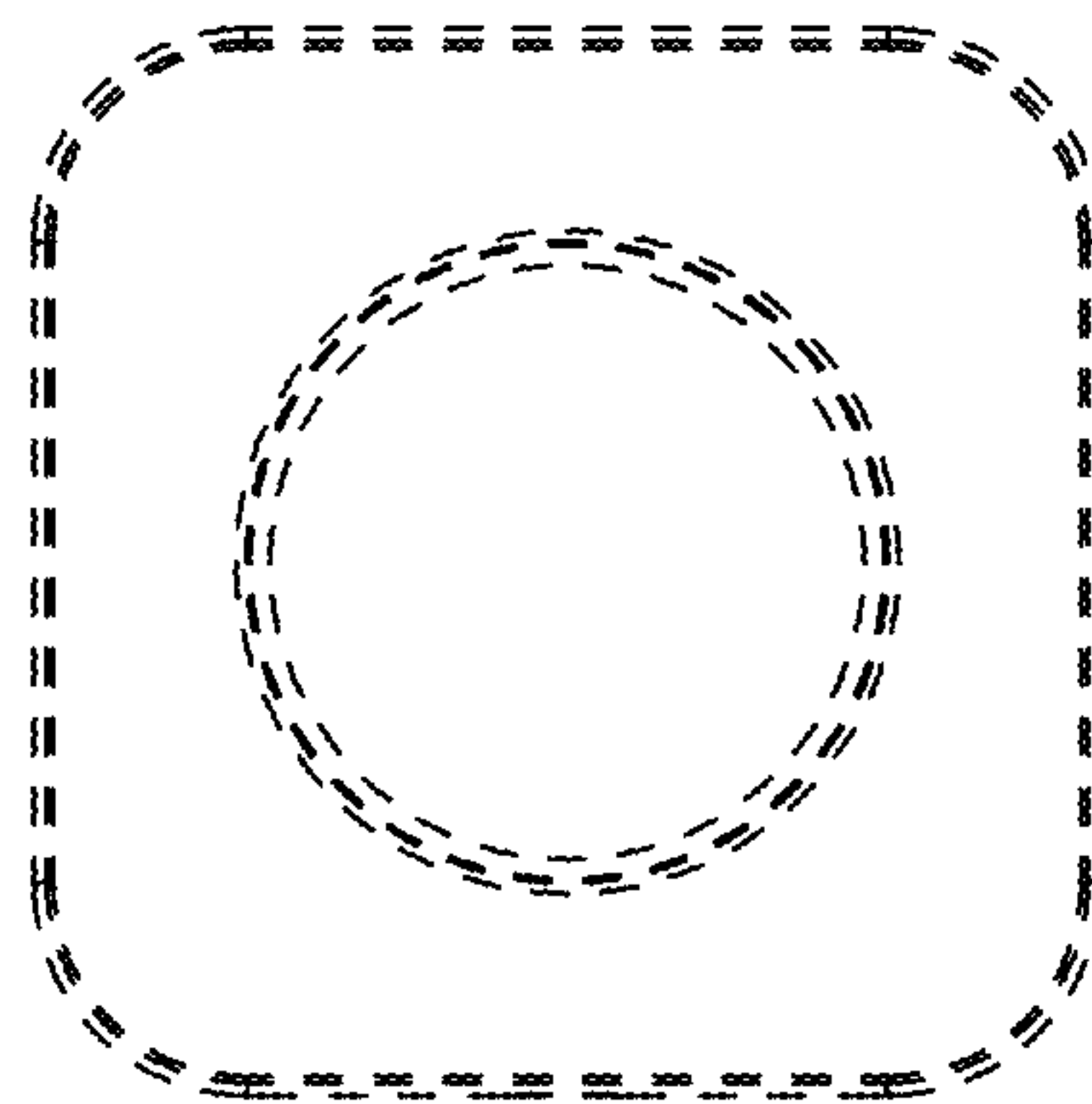
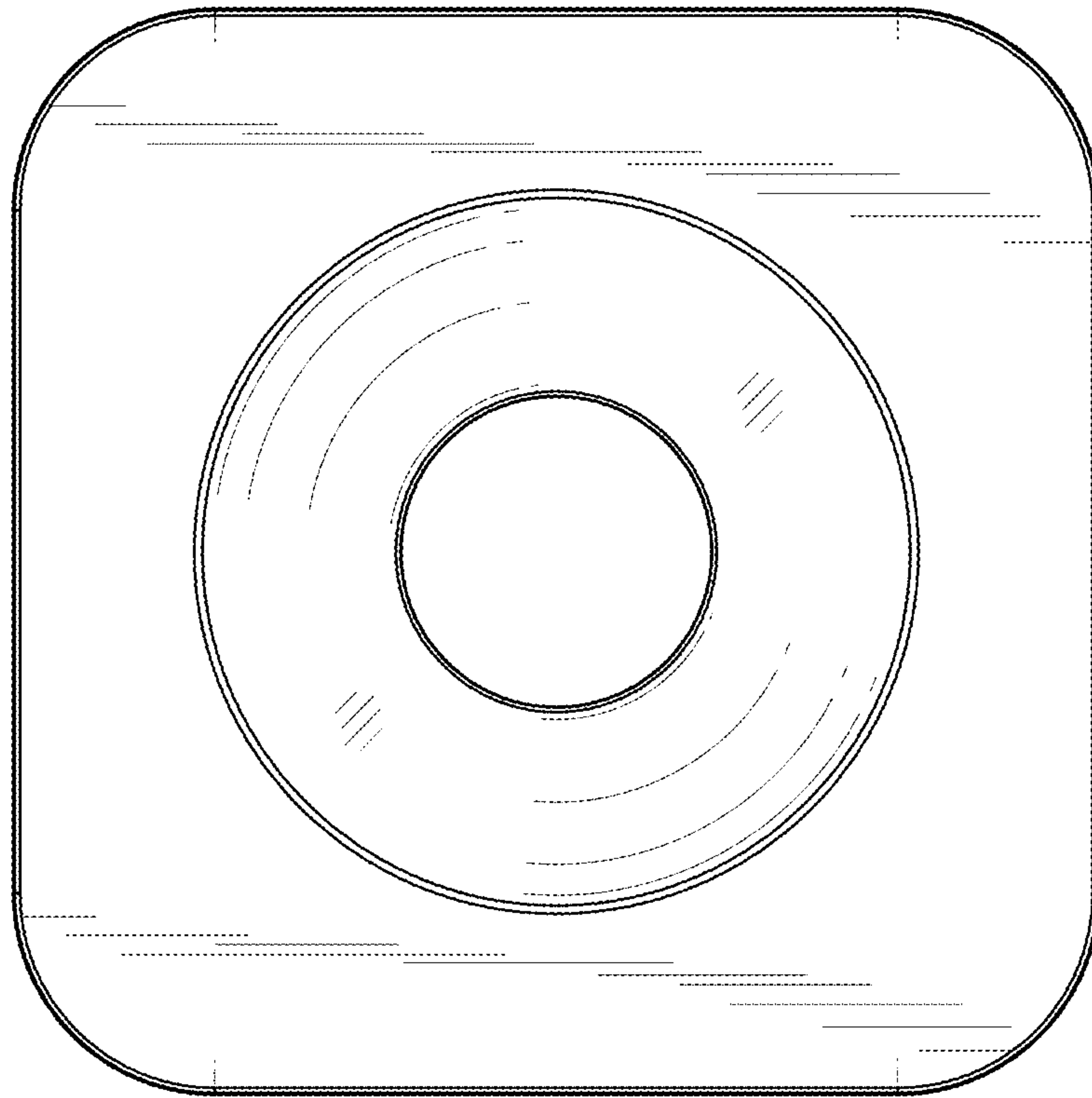


FIG.8

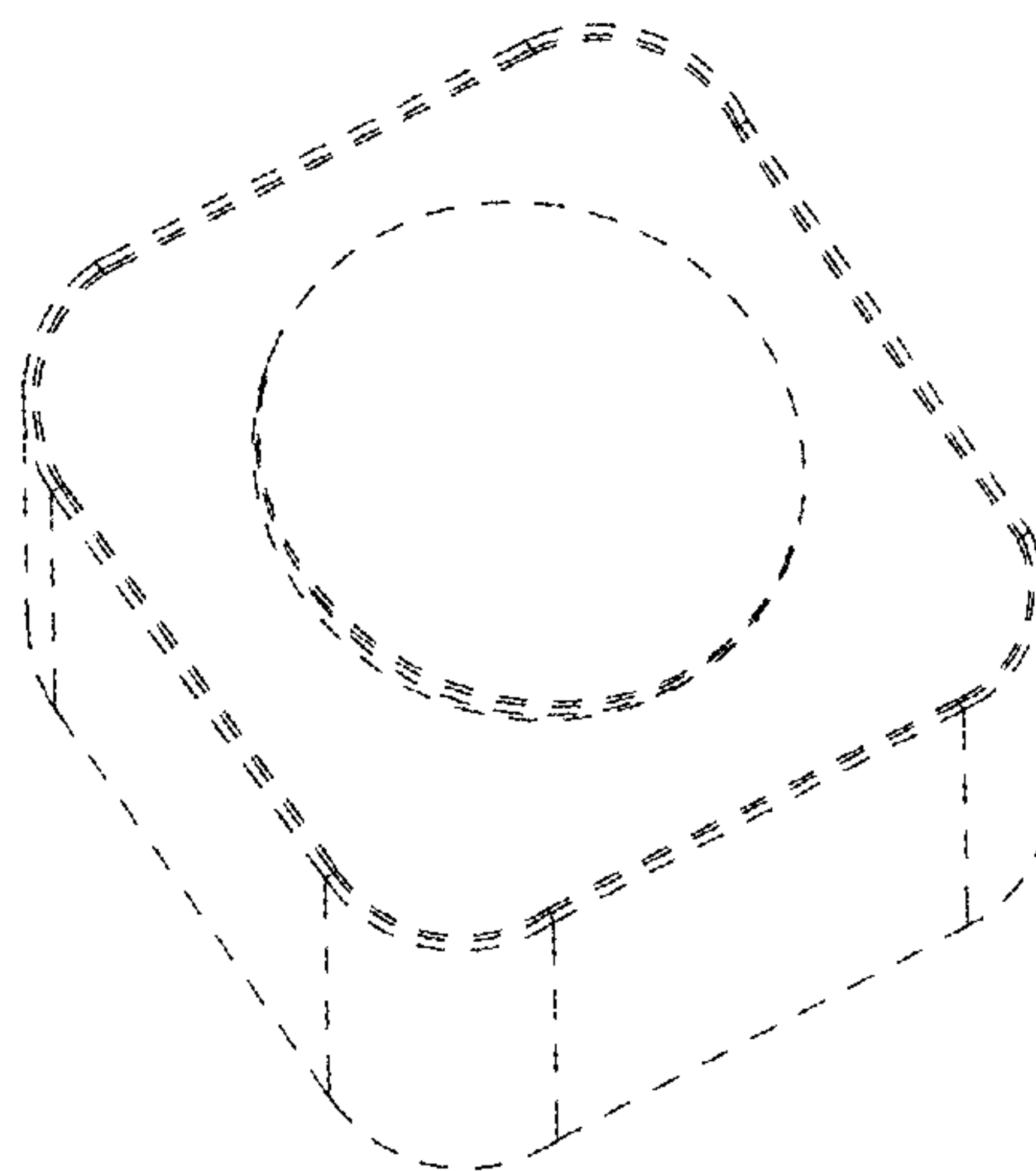
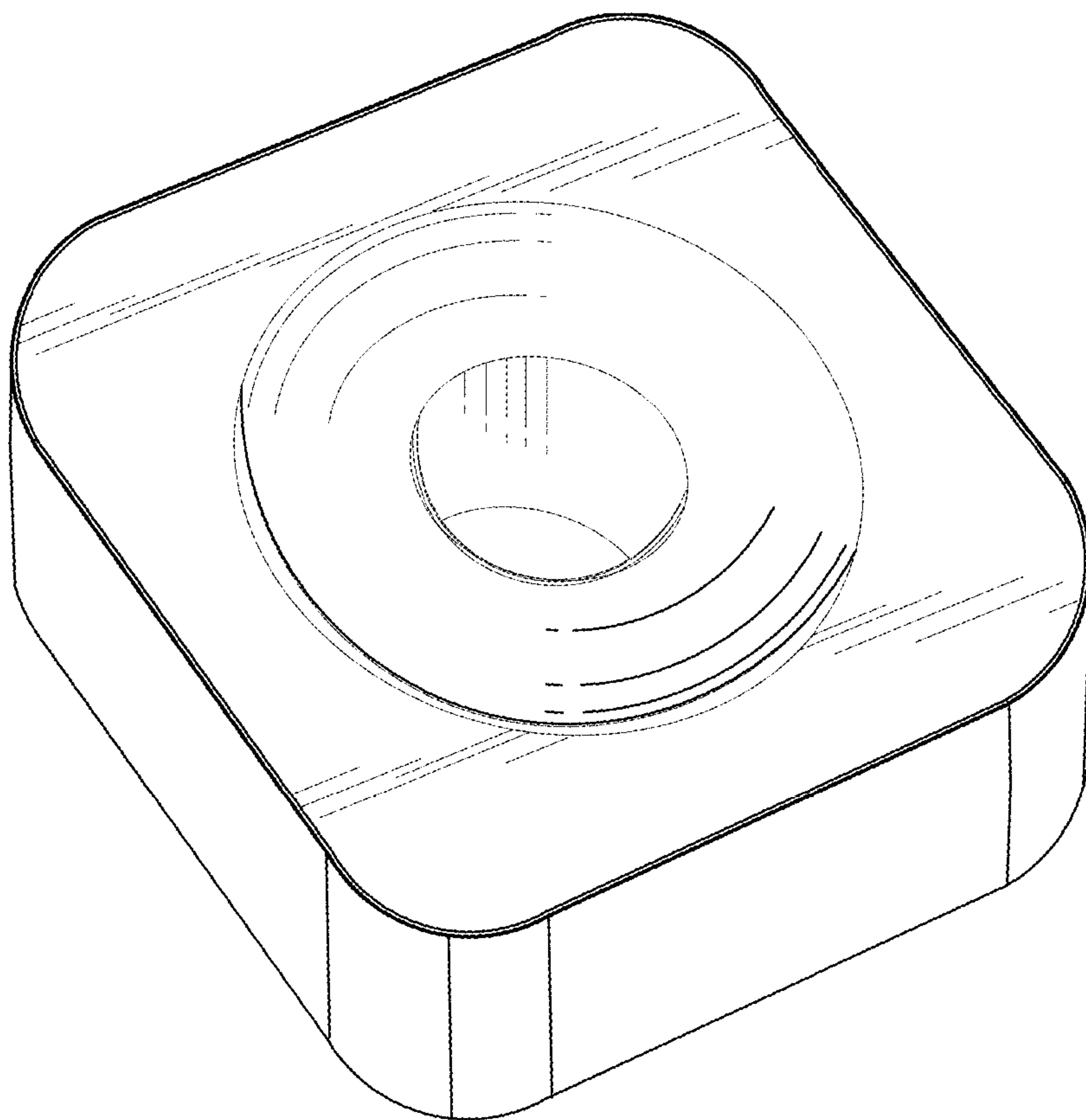


FIG.9