



US00D768013S

(12) **United States Design Patent**
Stecker et al.

(10) **Patent No.:** **US D768,013 S**

(45) **Date of Patent:** **** Oct. 4, 2016**

(54) **SENSOR**

(71) Applicant: **Banner Engineering Corporation,**
Minneapolis, MN (US)

(72) Inventors: **John Alyn Stecker,** Maple Lake, MN
(US); **Matthew Alexander Payne,**
Columbia Heights, MN (US)

(73) Assignee: **BANNER ENGINEERING**
CORPORATION, Minneapolis, MN
(US)

(**) Term: **15 Years**

(21) Appl. No.: **29/548,905**

(22) Filed: **Dec. 17, 2015**

Related U.S. Application Data

(60) Division of application No. 29/502,422, filed on Sep. 16, 2014, now Pat. No. Des. 748,506, which is a continuation-in-part of application No. 14/021,384, filed on Sep. 9, 2013.

(51) **LOC (10) Cl.** **10-04**

(52) **U.S. Cl.**
USPC **D10/70**

(58) **Field of Classification Search**
USPC D10/70
CPC G01C 15/002; G01C 15/004; G01C 15/006;
G01C 15/008; G01C 15/02
See application file for complete search history.

(56) **References Cited**

U.S. PATENT DOCUMENTS

4,302,885	A *	12/1981	Levine et al.	33/228
D268,910	S *	5/1983	Shipp et al.	D10/70
5,471,218	A *	11/1995	Talbot et al.	342/357.36
5,859,693	A *	1/1999	Dunne et al.	356/4.01
5,886,775	A *	3/1999	Houser et al.	356/4.01
8,934,009	B2 *	1/2015	Kumagai et al.	348/135

* cited by examiner

Primary Examiner — Antoine D Davis

(74) *Attorney, Agent, or Firm* — Merchant & Gould P.C.

(57) **CLAIM**

The ornamental design for a sensor, as shown and described.

DESCRIPTION

FIG. 1 is a perspective rear/top/right view of a sensor according to one aspect of the present disclosure; FIG. 2 is a back view of the sensor depicted in FIG. 1; FIG. 3 is a front view of the sensor depicted in FIG. 1; FIG. 4 is a right view of the sensor depicted in FIG. 1; FIG. 5 is a left view of the sensor depicted in FIG. 1; FIG. 6 is a top view of the sensor depicted in FIG. 1; FIG. 7 is a bottom view of the sensor depicted in FIG. 1; FIG. 8 is a perspective front/top/left view of the sensor depicted in FIG. 1; FIG. 9 is a perspective rear/top/left view of the sensor depicted in FIG. 1; and, FIG. 10 is a rear/top view of the sensor depicted in FIG. 1.

1 Claim, 9 Drawing Sheets

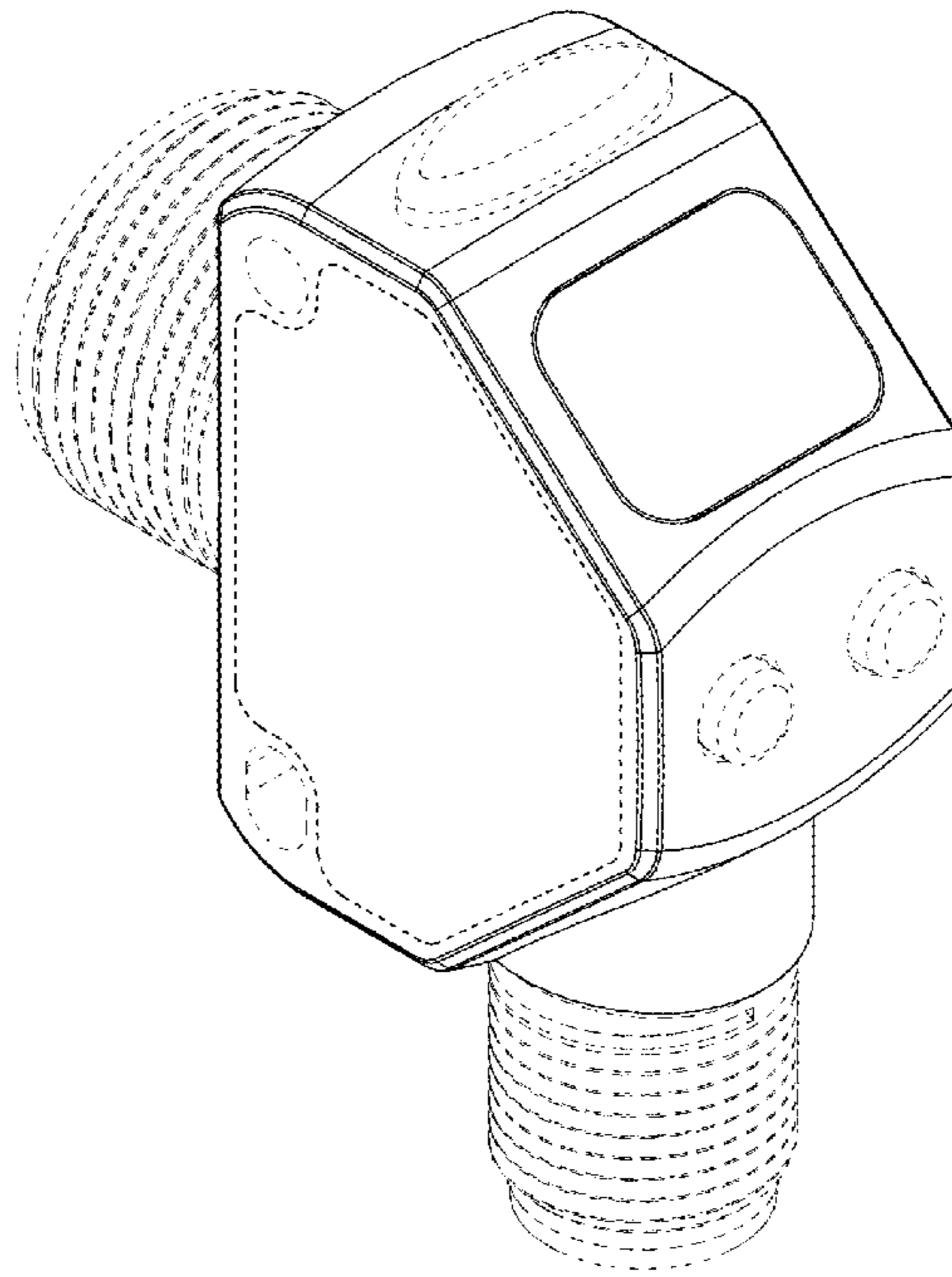
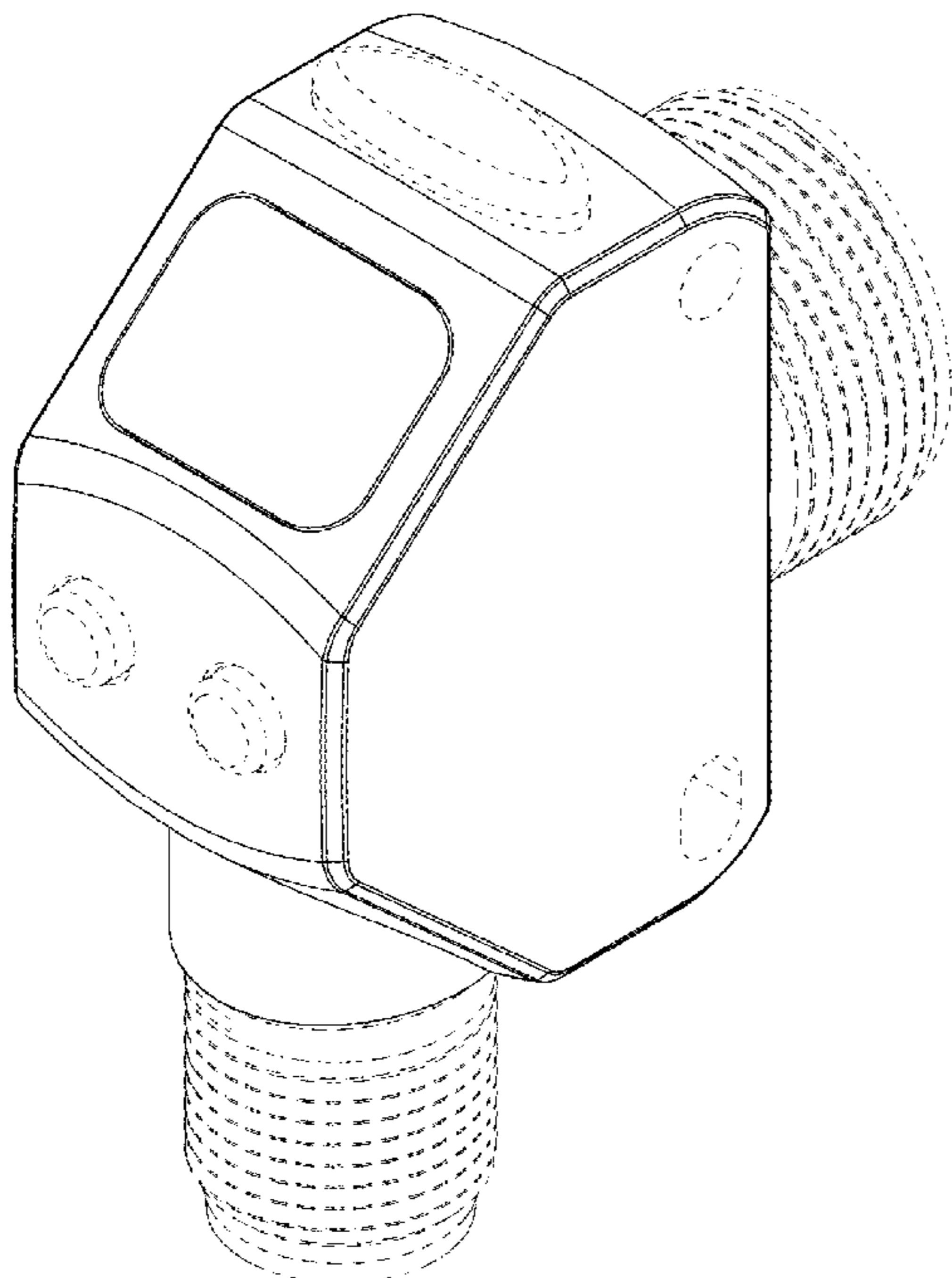


FIG. 1

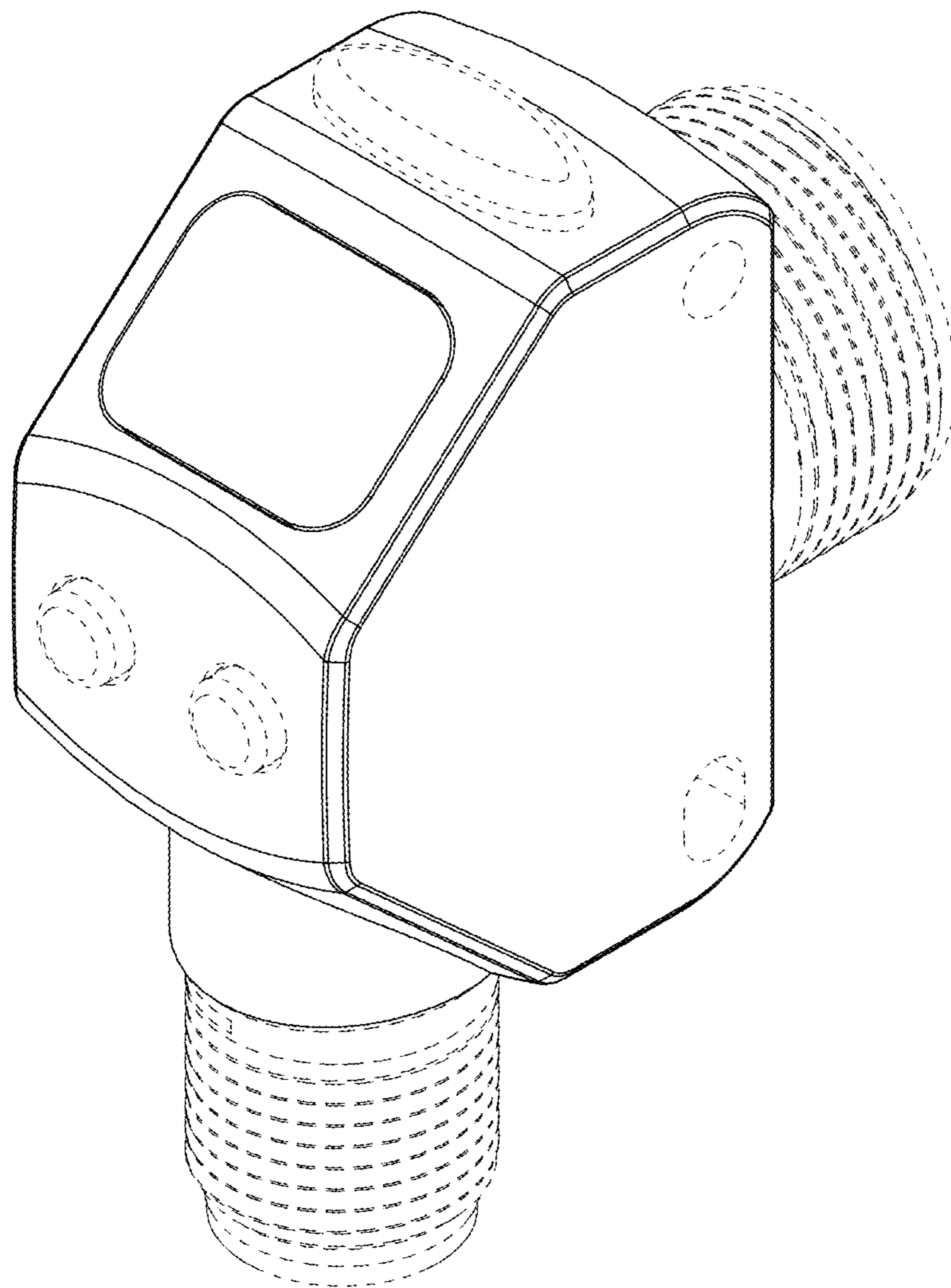


FIG. 2

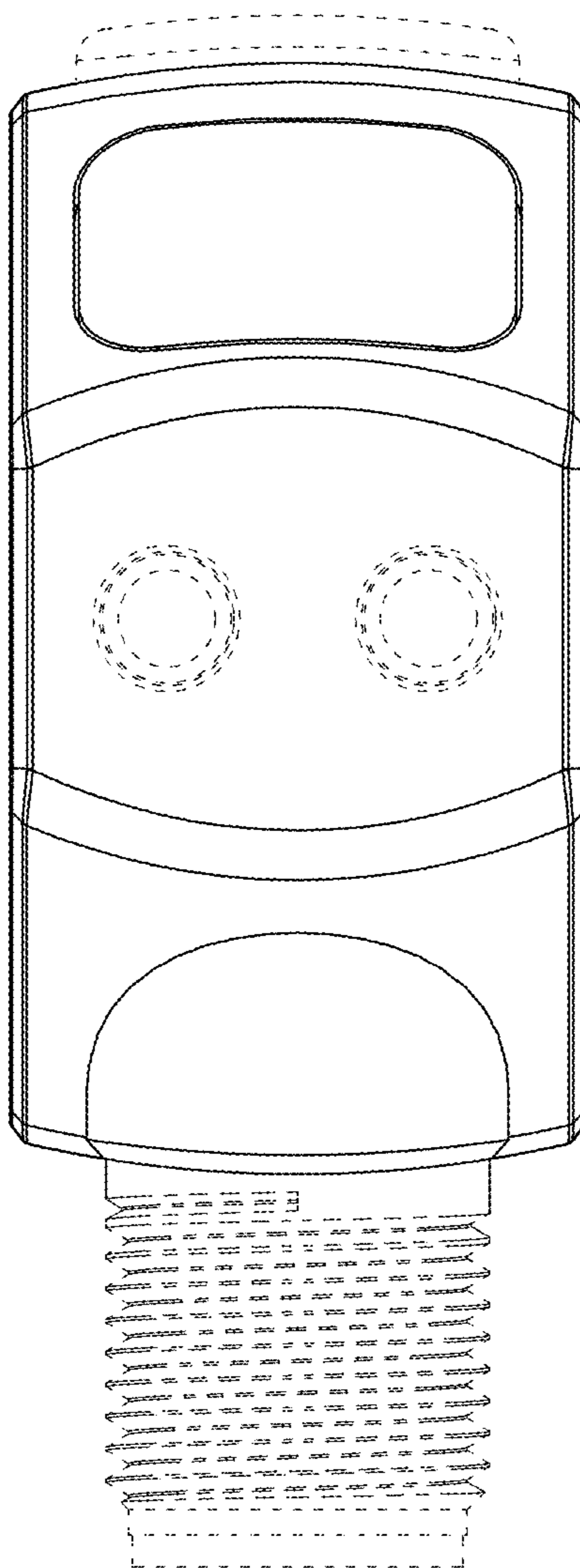


FIG. 3

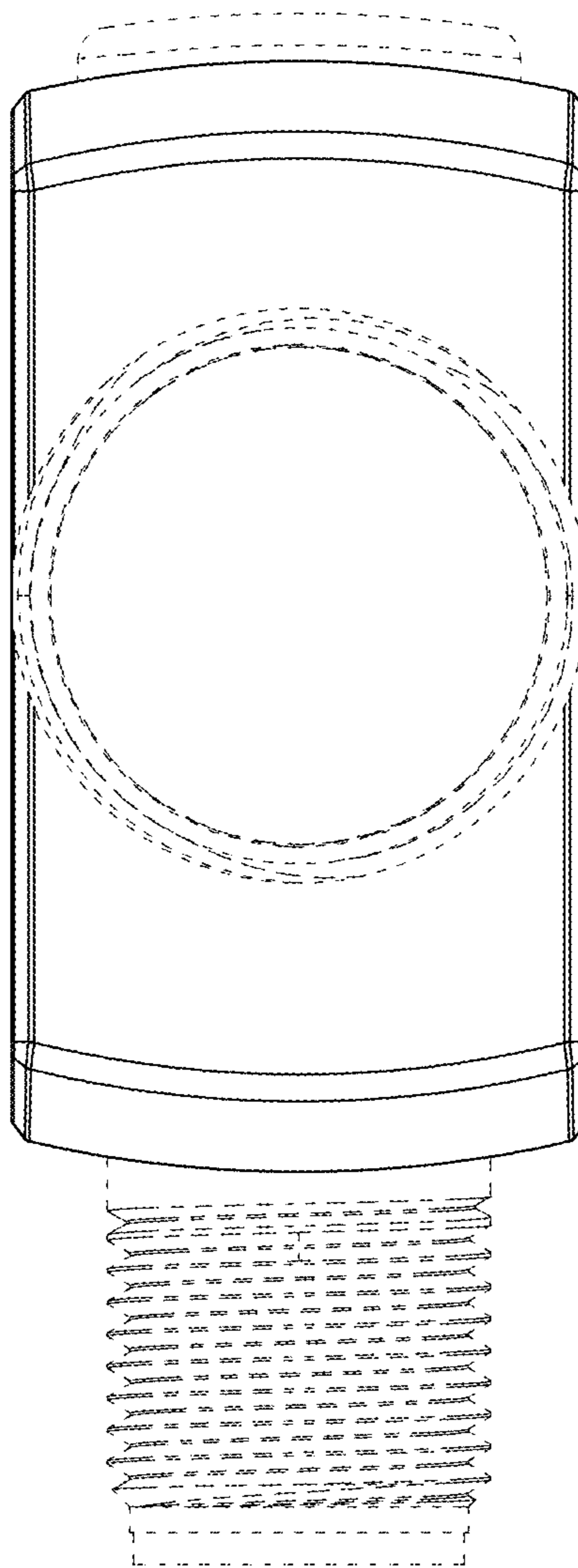


FIG. 4

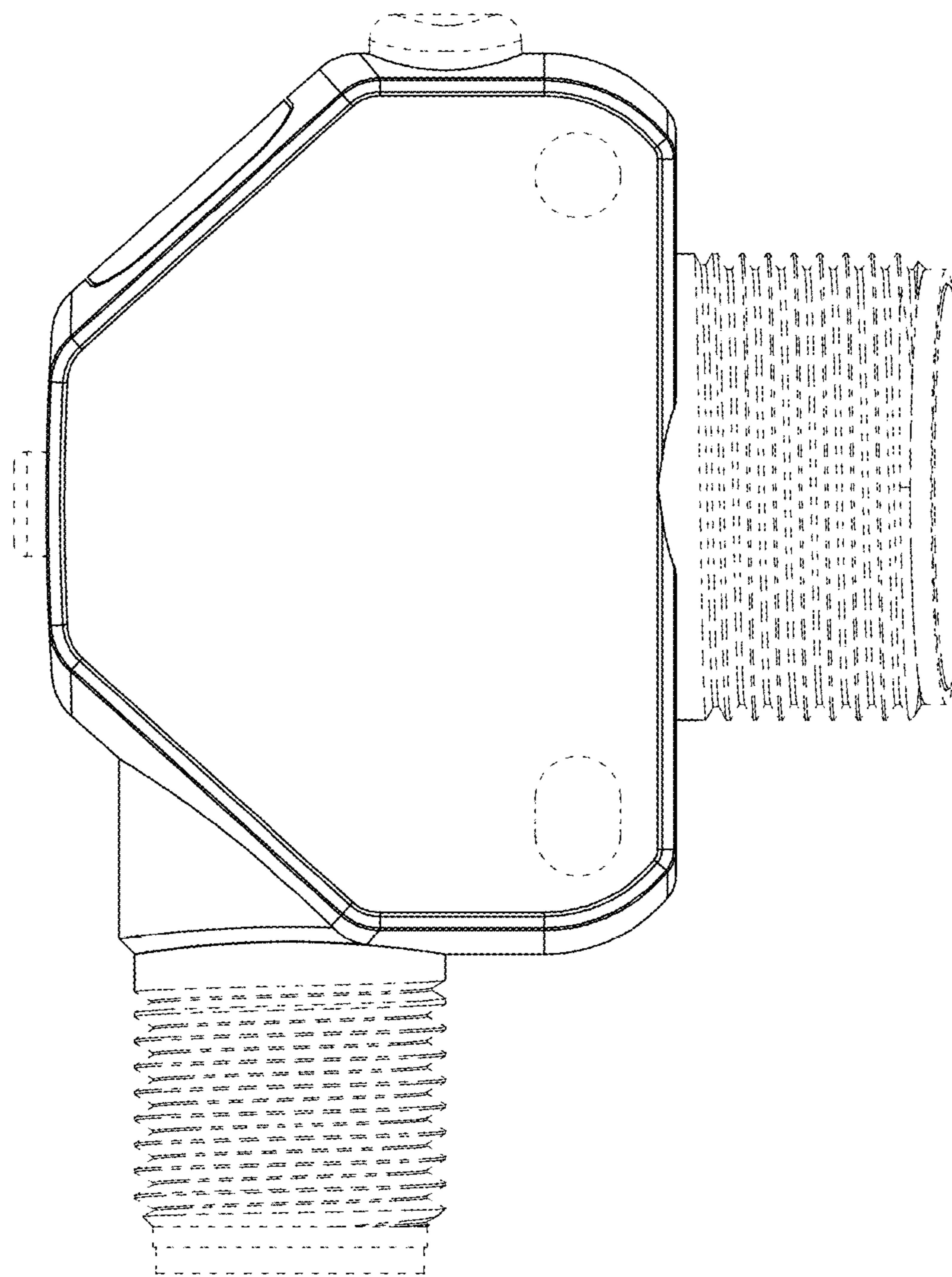


FIG. 5

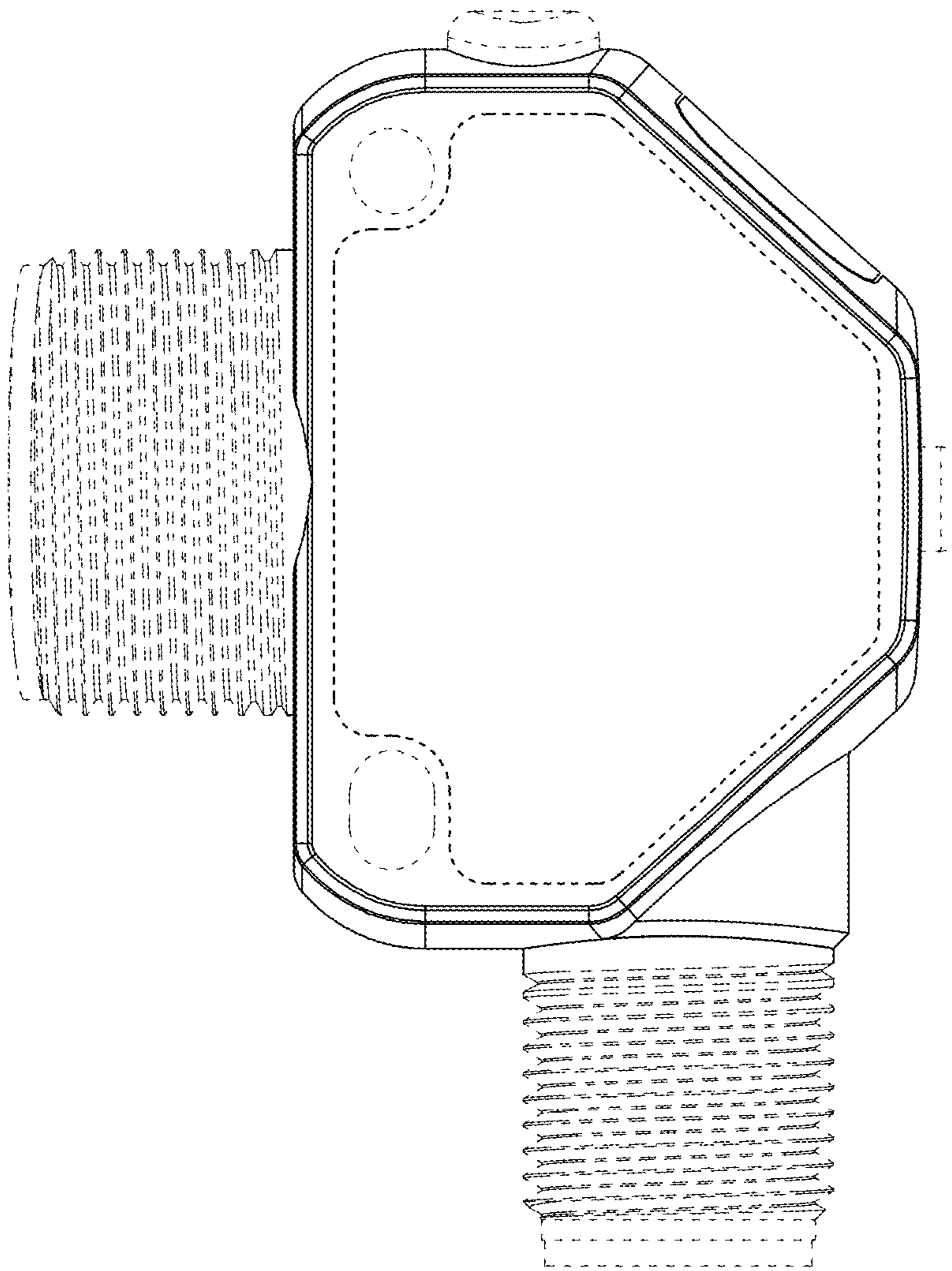


FIG. 6

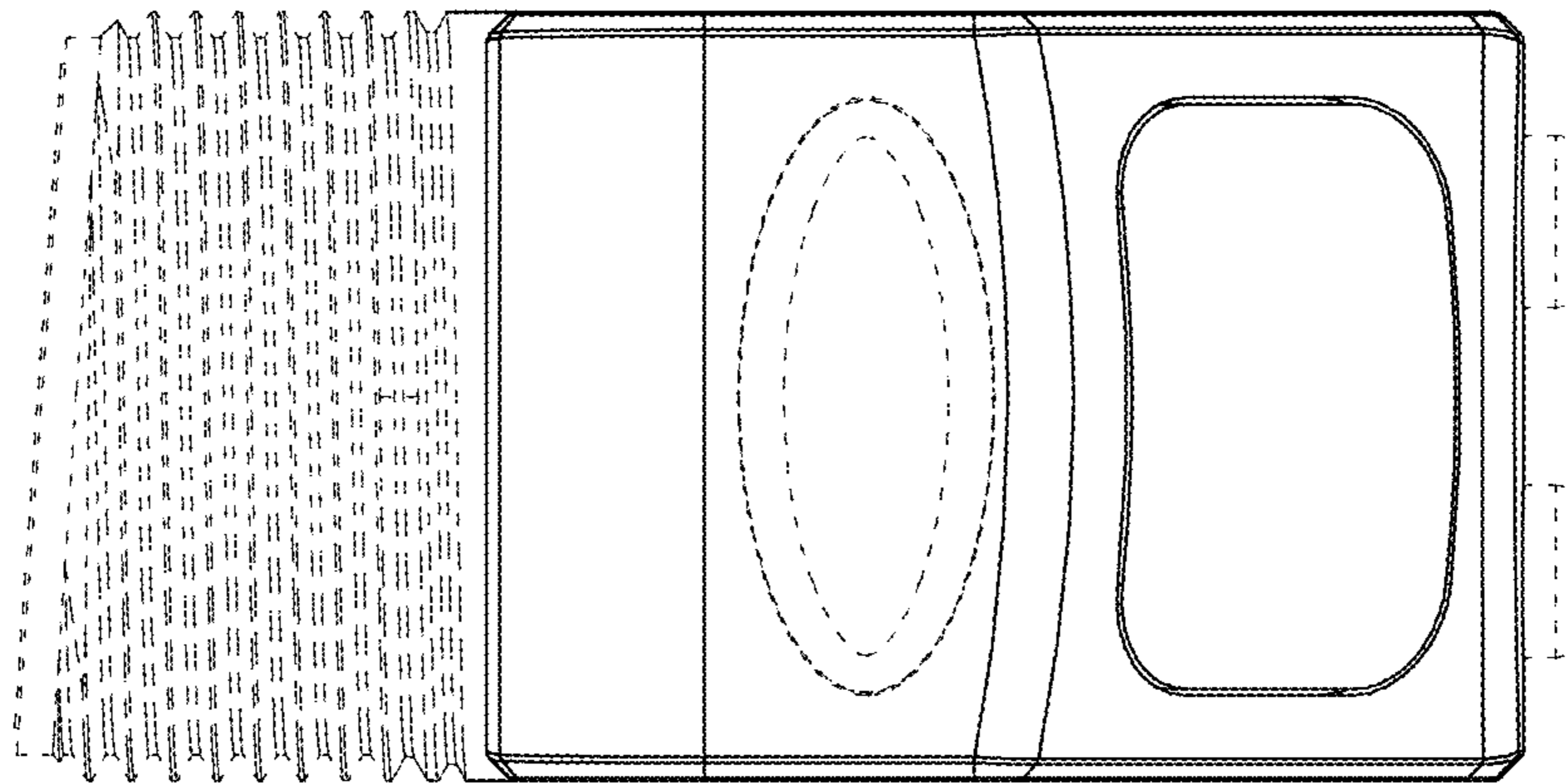


FIG. 7

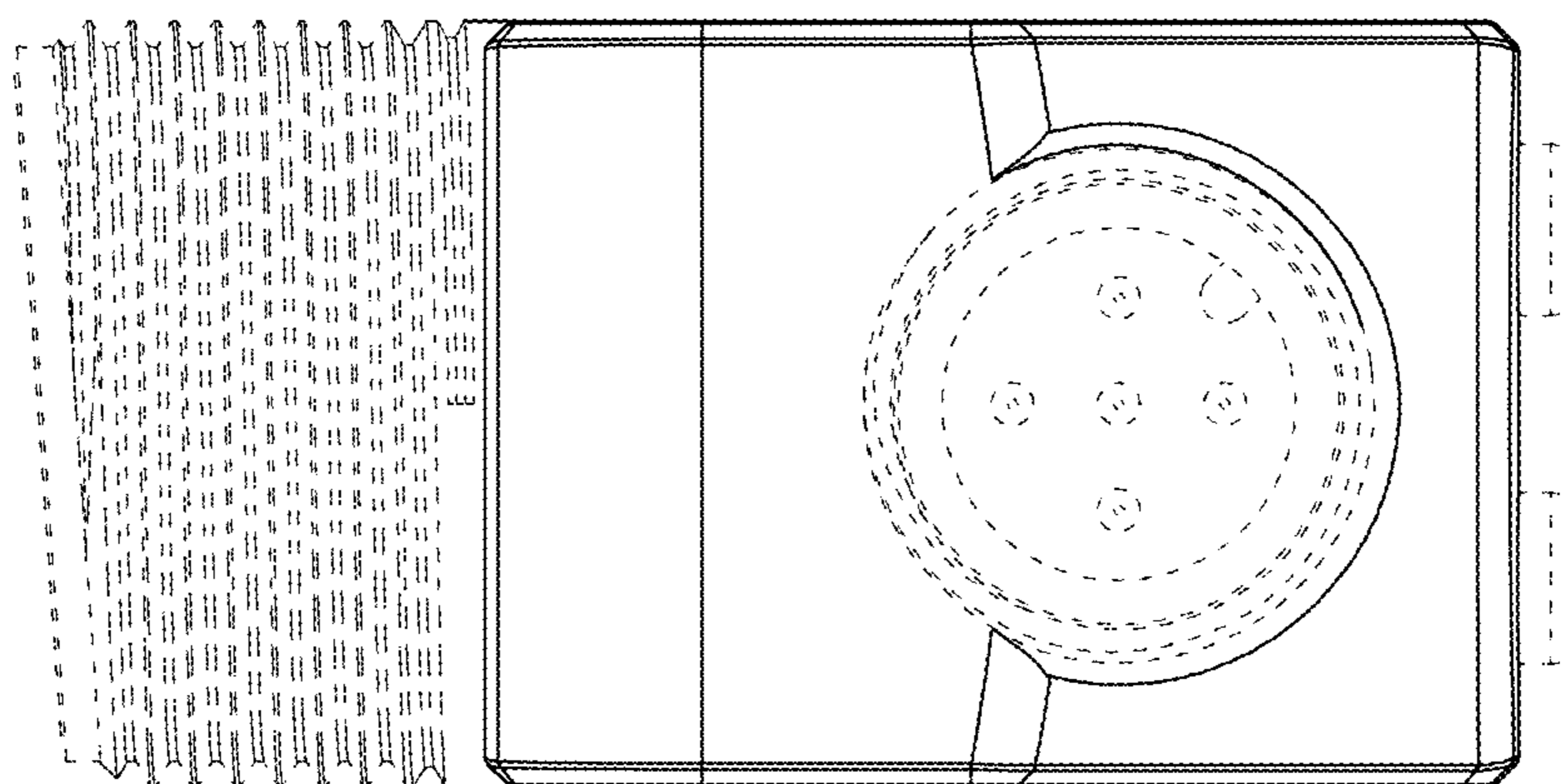


FIG. 8

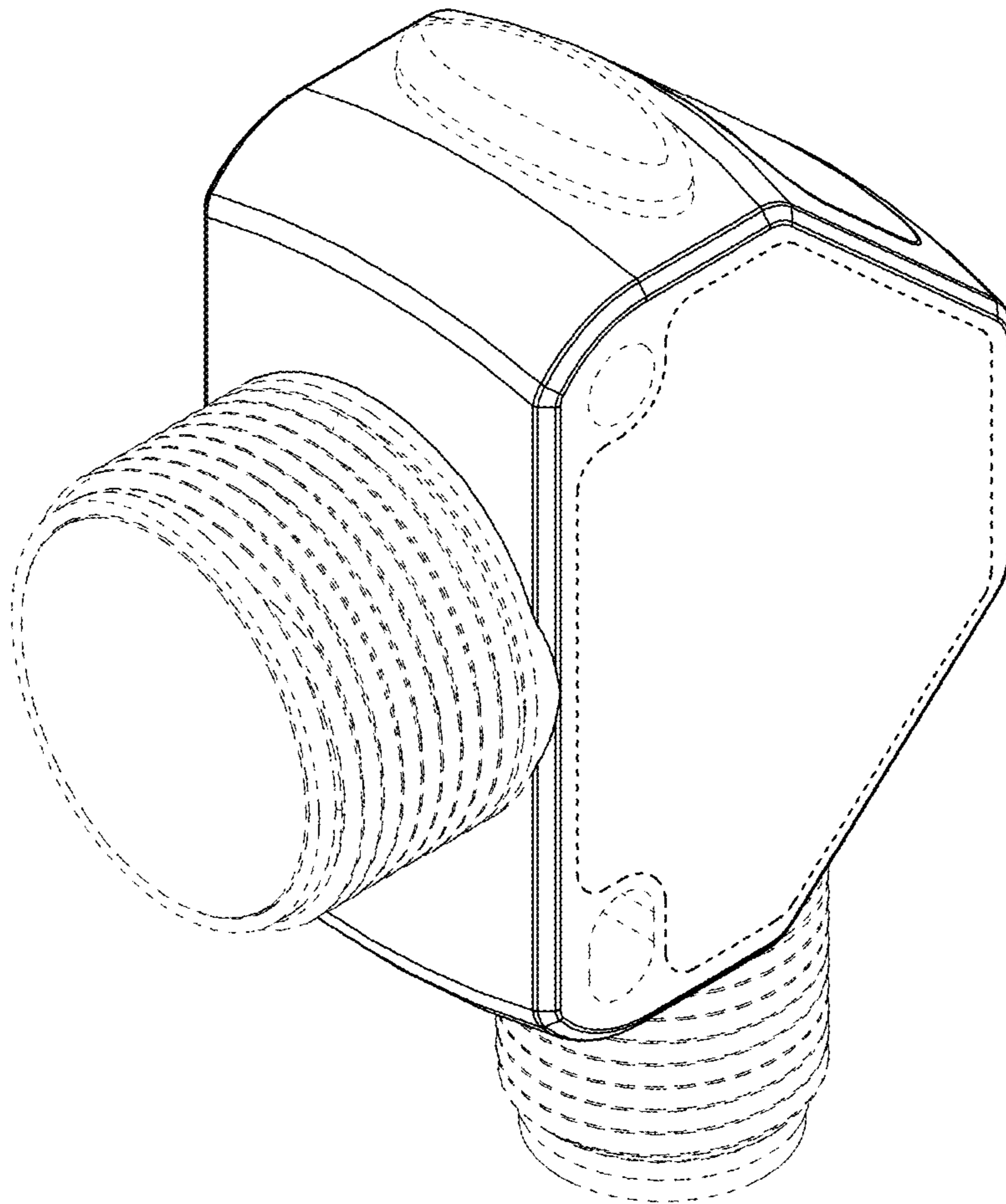


FIG. 9

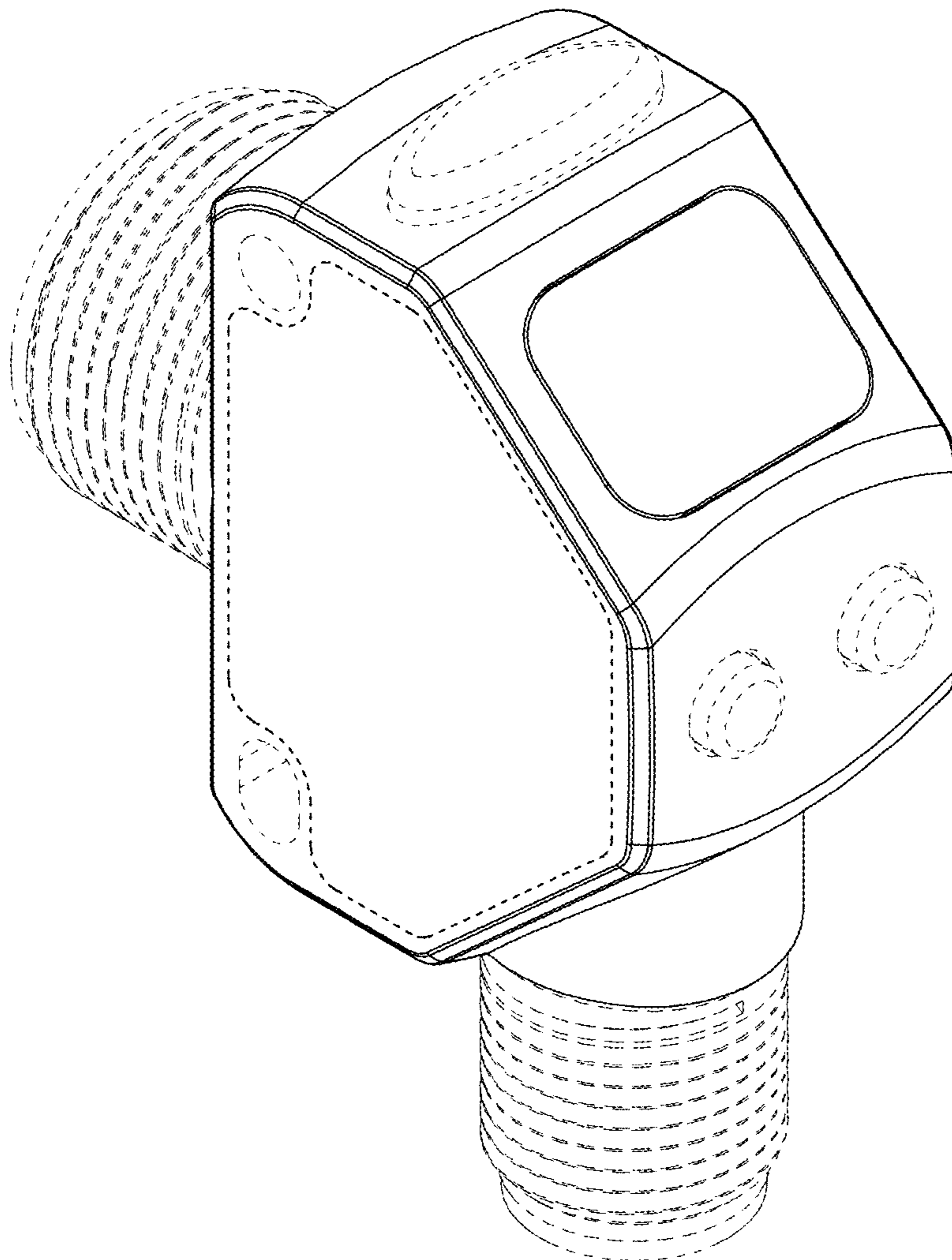


FIG. 10

