



US00D768012S

(12) **United States Design Patent**
Kim et al.

(10) **Patent No.:** **US D768,012 S**

(45) **Date of Patent:** **** Oct. 4, 2016**

(54) **AIR QUALITY MONITORING DEVICE**

(71) Applicant: **Bitfinder, Inc.**, Cupertino, CA (US)

(72) Inventors: **Bosung Kim**, San Carlos, CA (US);
Dukhyun Yun, Seoul (KR); **Kevin Cho**, Sunnyvale, CA (US); **Ronald Ro**,
Cupertino, CA (US)

(73) Assignee: **Bitfinder, Inc.**, Cupertino, CA (US)

(**) Term: **15 Years**

(21) Appl. No.: **29/528,294**

(22) Filed: **May 27, 2015**

(51) **LOC (10) Cl.** **10-04**

(52) **U.S. Cl.**
USPC **D10/52; D10/81**

(58) **Field of Classification Search**
USPC D10/52, 81
CPC G01N 1/22-1/2294; G01N
2001/2217-2001/2297; G01N 25/56; G01N
27/122; G01N 33/004-33/0075; H04B 17/23
See application file for complete search history.

(56) **References Cited**

U.S. PATENT DOCUMENTS

- D186,549 S * 11/1959 Kennedy D10/81
- 3,714,562 A * 1/1973 McNerney G01N 27/12
324/722
- 3,877,291 A * 4/1975 Hoppesch G01N 33/4972
340/634
- D412,452 S * 8/1999 Chan D10/52

- 5,996,396 A * 12/1999 Marshall G01N 33/0018
73/23.34
- 8,890,701 B2 * 11/2014 Mahajan G08B 21/14
340/628
- D734,187 S * 7/2015 Nakajima D10/81
- D741,204 S * 10/2015 Chen D10/52
- D742,263 S * 11/2015 Thiele D10/81

* cited by examiner

Primary Examiner — Antoine D Davis

(57) **CLAIM**

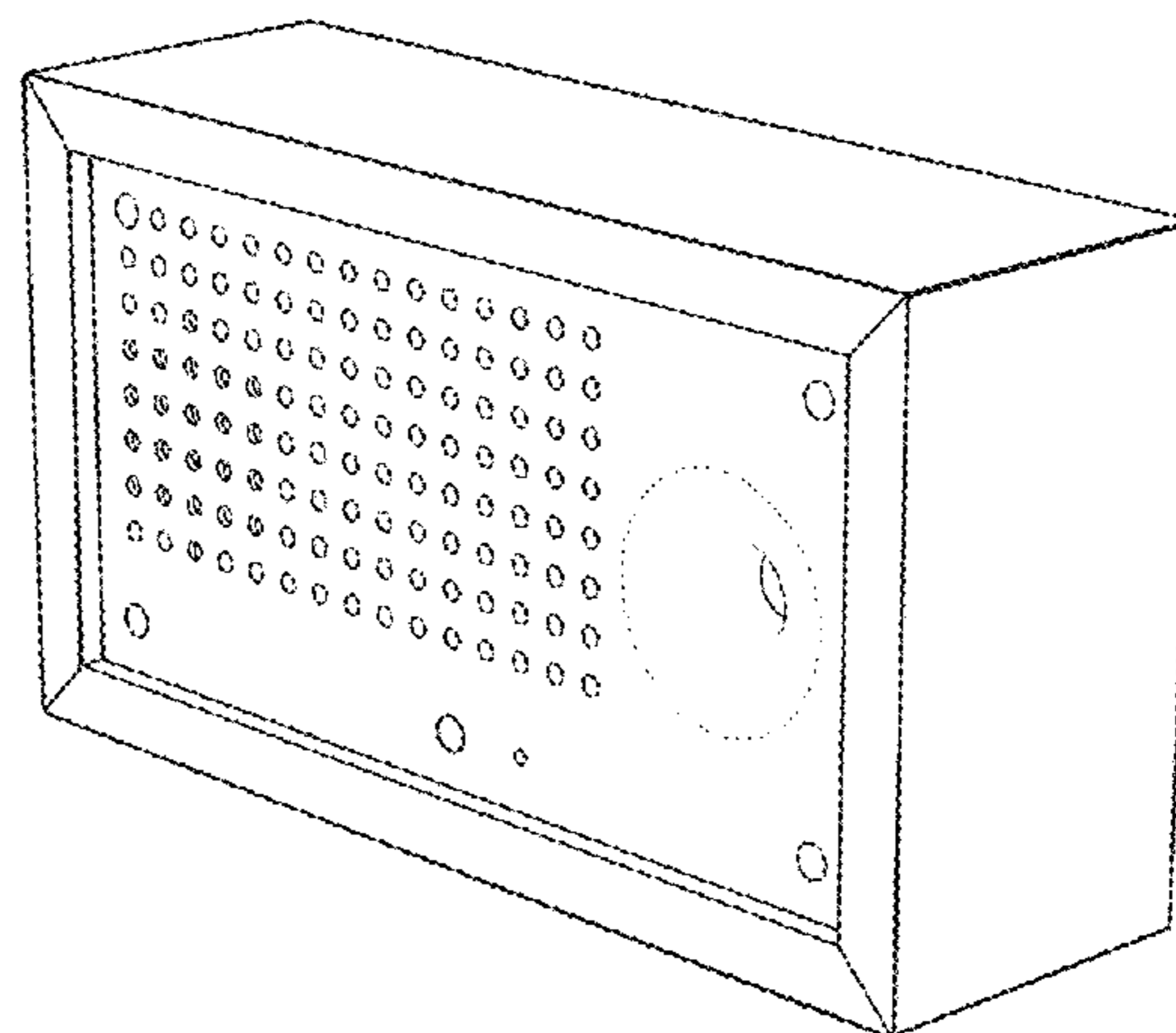
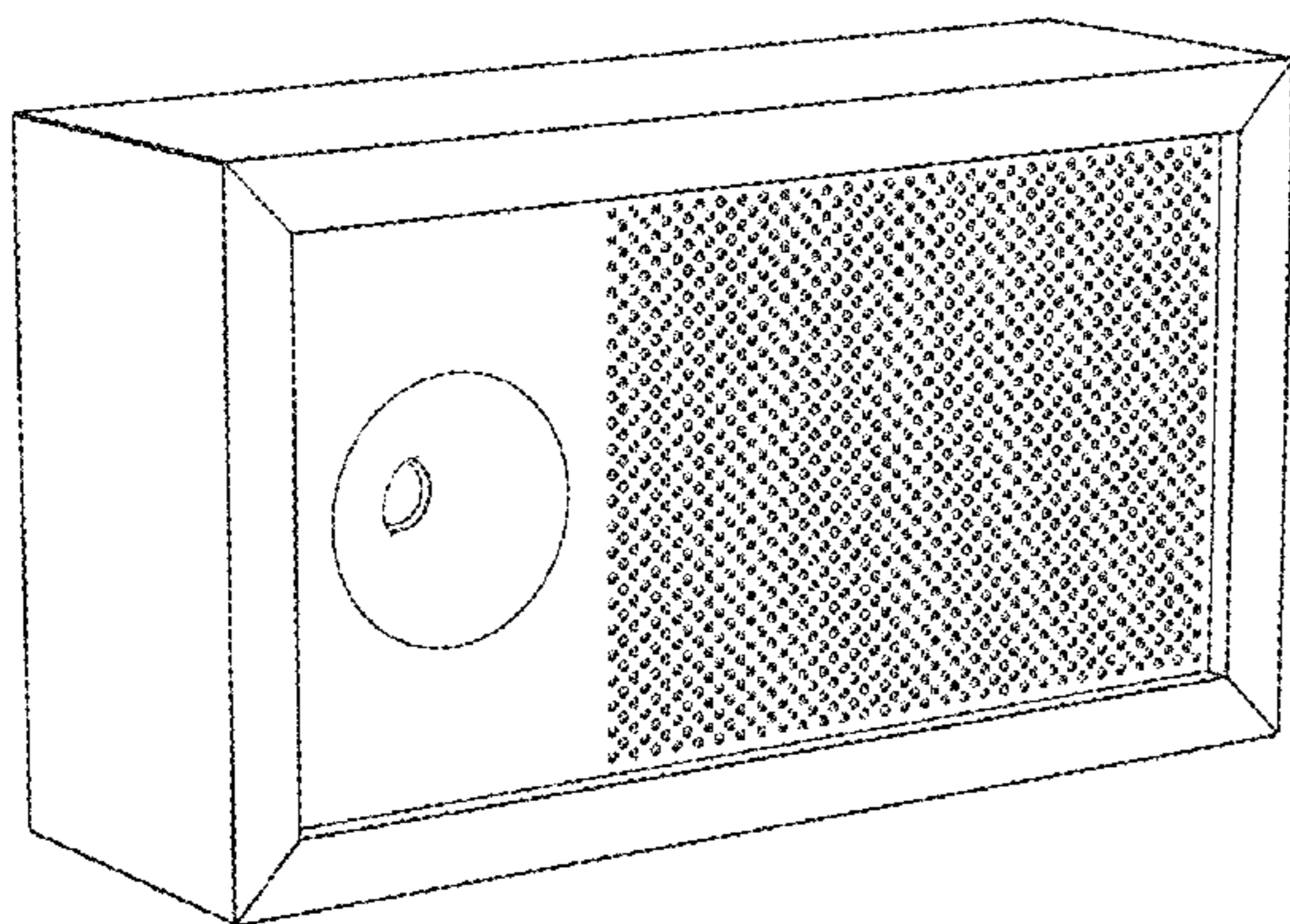
The ornamental design for an air quality monitoring device, as shown and described.

DESCRIPTION

FIG. 1 is a front perspective view of an air quality monitoring device showing our new design;
 FIG. 2 is a front view thereof;
 FIG. 3 is a rear view thereof;
 FIG. 4 is a left-side view thereof;
 FIG. 5 is a right-side view thereof;
 FIG. 6 is a top plan view thereof;
 FIG. 7 is a bottom plan view thereof;
 FIG. 8 is a rear perspective view thereof;
 FIG. 9 is a reference view thereof; and,
 FIG. 10 is a second reference view thereof.

The numbers drawn in broken lines in FIG. 9 are shown for illustrative purposes only and form no part of the claimed design.

1 Claim, 7 Drawing Sheets



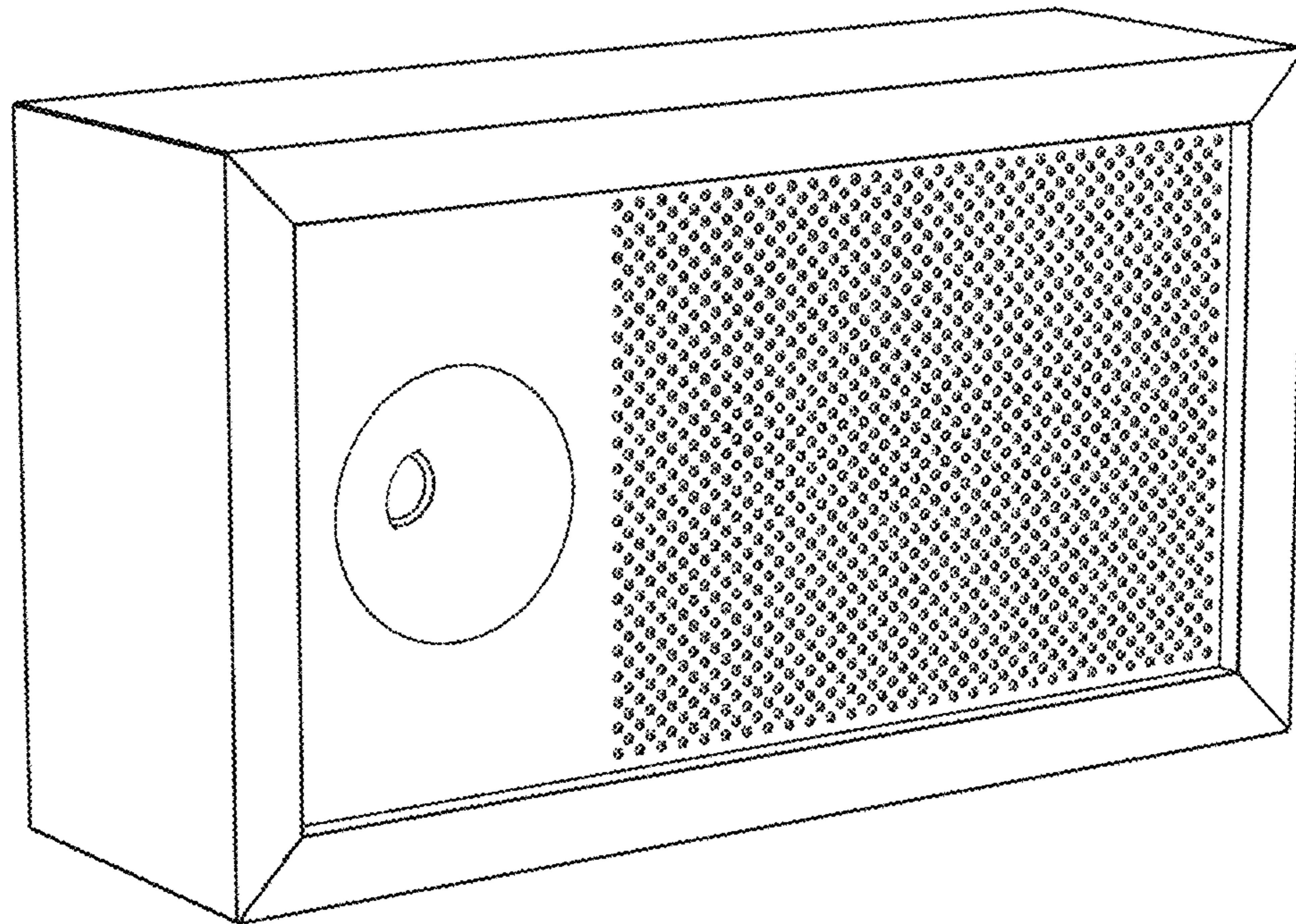


FIG. 1

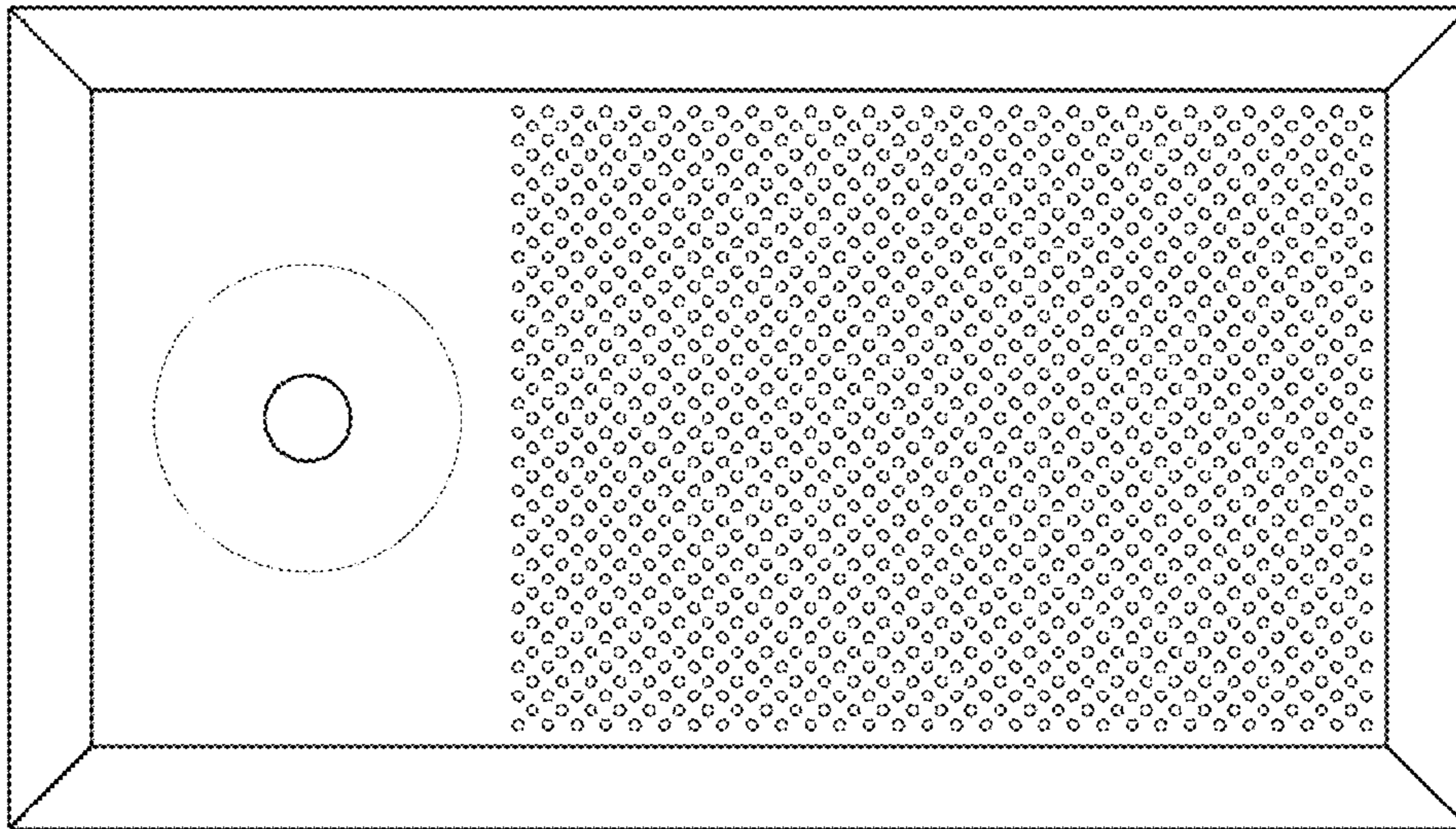


FIG. 2

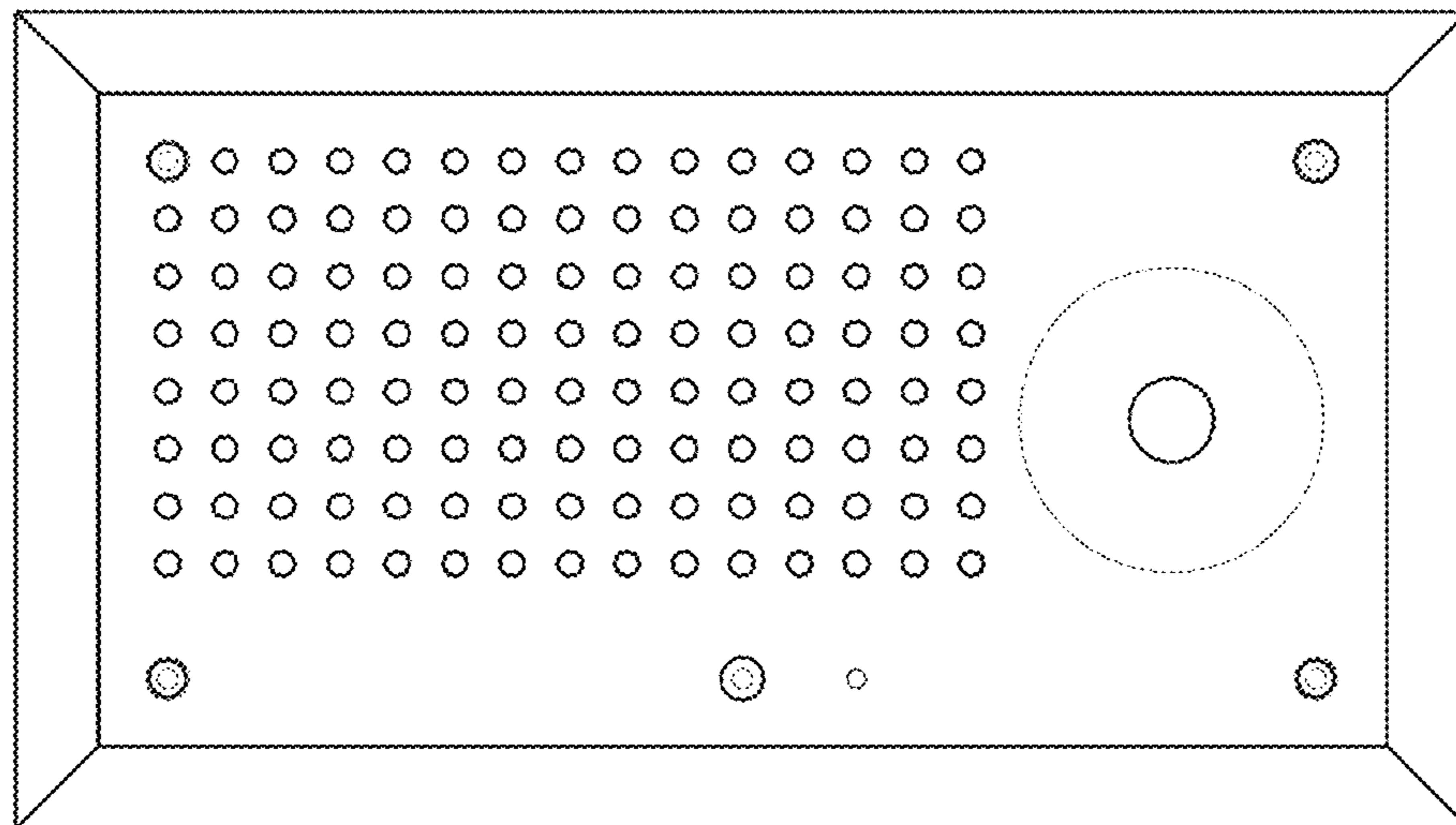


FIG. 3



FIG. 4

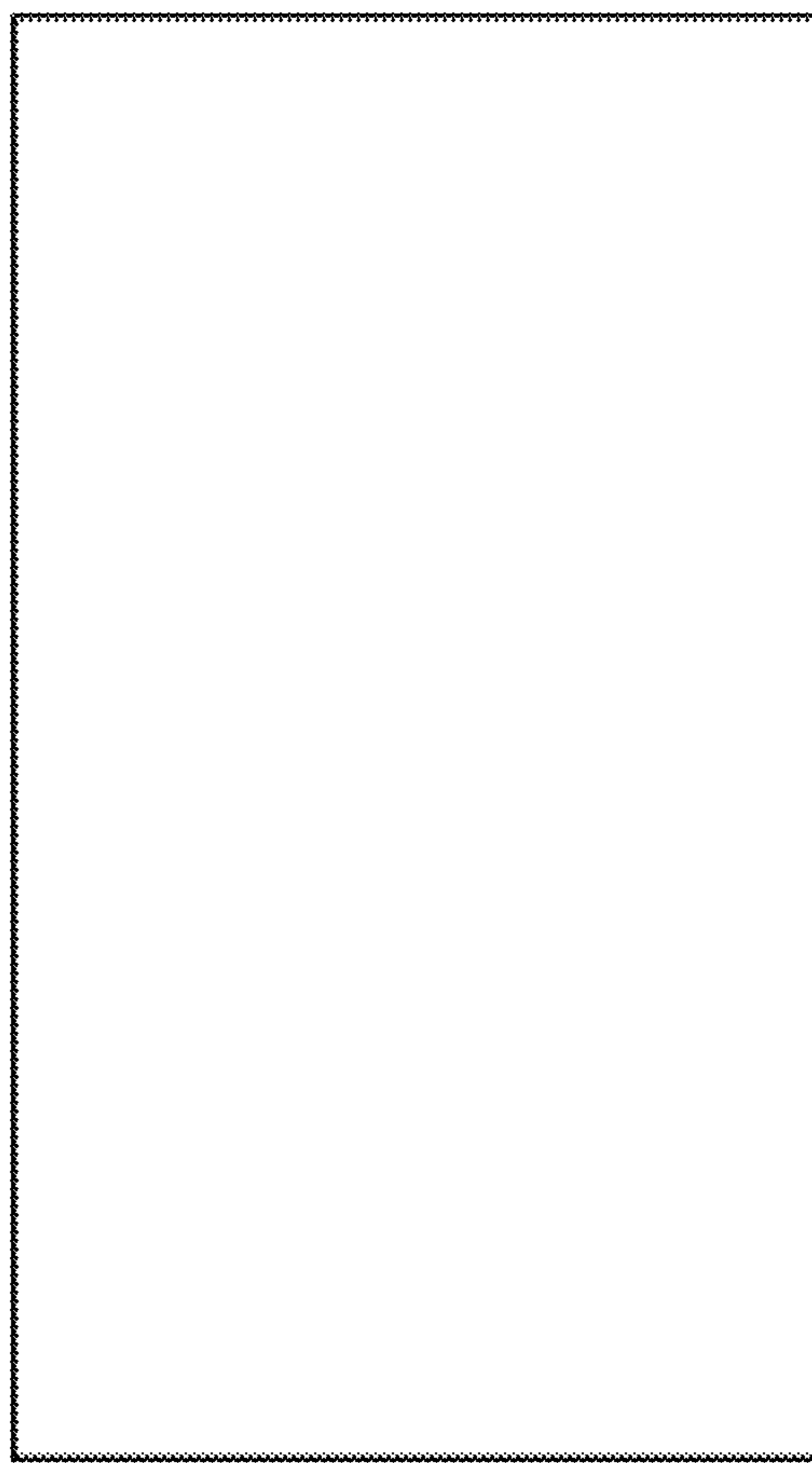


FIG. 5



FIG. 6



FIG. 7

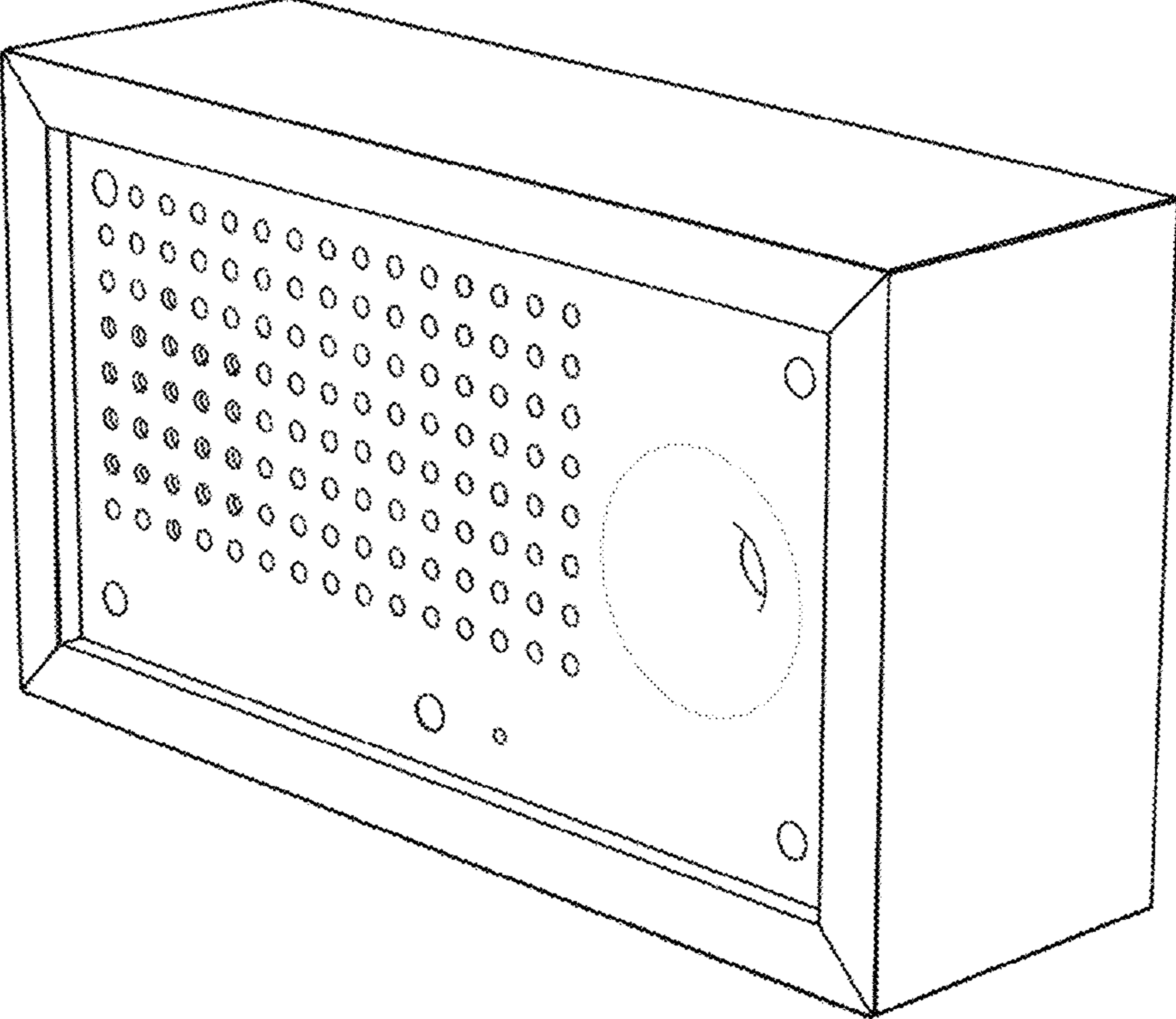


FIG. 8

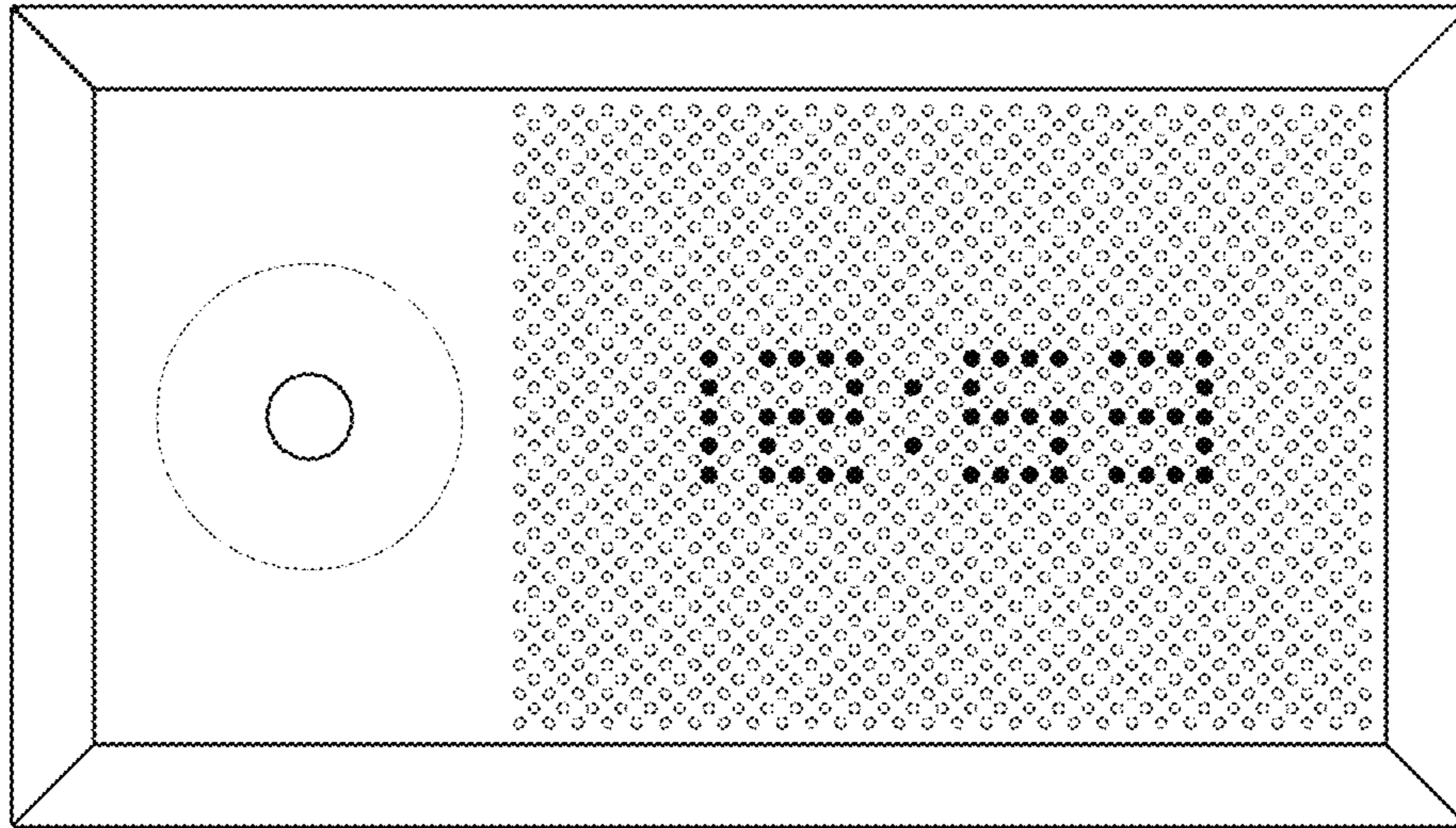


FIG. 9

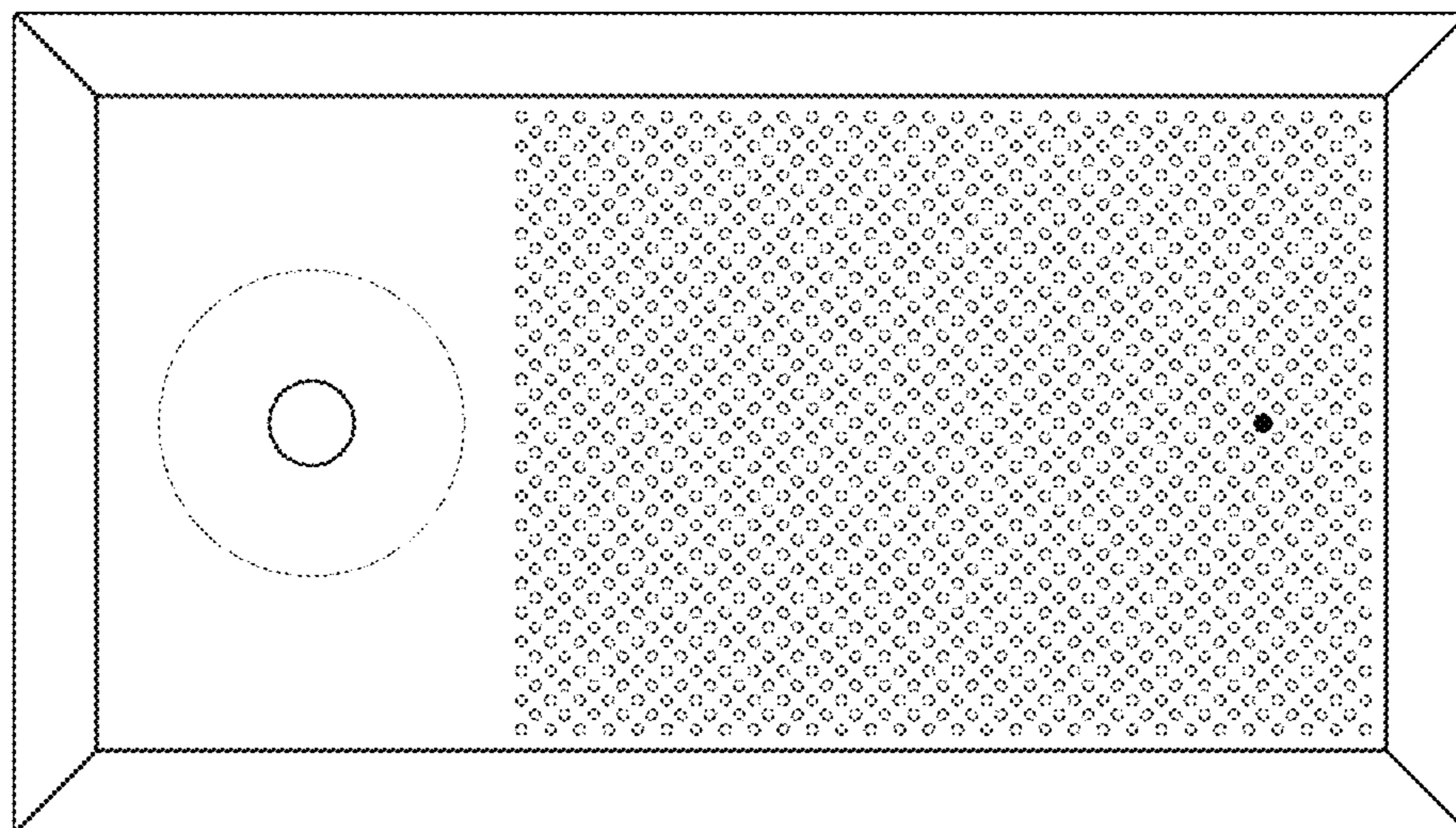


FIG. 10