



US00D768009S

(12) **United States Design Patent** (10) **Patent No.:** **US D768,009 S**
Fulscher et al. (45) **Date of Patent:** **** Oct. 4, 2016**

(54) **WIPES DISPENSER**

A47K 10/20; A47K 10/24; A47K 10/18;
A47K 2010/3266; A47K 2010/3233

(71) Applicant: **Kimberly-Clark Worldwide, Inc.**,
Neenah, WI (US)

See application file for complete search history.

(72) Inventors: **Ryan L. Fulscher**, Neenah, WI (US);
Robert M. Hill, Appleton, WI (US);
Robert Schlaupitz, New London, WI
(US); **Kroy D. Johnson**, Neenah, WI
(US); **Kevin C. Possell**, Middleton, WI
(US)

(56) **References Cited**

U.S. PATENT DOCUMENTS

D24,991 S 12/1895 Estes
2,711,766 A 6/1955 Archer et al.

(Continued)

FOREIGN PATENT DOCUMENTS

DE 75 36 172 U 3/1976
DE 38 44 022 C1 2/1990

(Continued)

Primary Examiner — Derrick Holland

Assistant Examiner — Lauren Calve

(74) *Attorney, Agent, or Firm* — Kimberly-Clark
Worldwide, Inc.

(73) Assignee: **Kimberly-Clark Worldwide, Inc.**,
Neenah, WI (US)

(**) Term: **14 Years**

(21) Appl. No.: **29/452,352**

(22) Filed: **Apr. 15, 2013**

(51) **LOC (10) Cl.** **09-01**

(52) **U.S. Cl.**

USPC **D9/734**; D9/414

(58) **Field of Classification Search**

USPC D9/414, 415, 418, 420, 421, 423, 424,
D9/425, 707, 702, 709, 710, 711, 730, 734,
D9/737, 741, 743, 745, 747; D7/540, 542,
D7/601; D3/20, 201, 203.5, 203.6, 205,
D3/215, 273, 274, 294, 295; D28/73, 76,
D28/77, 83; D6/515, 518, 519; 206/38, 205,
206/225, 226, 233, 385, 440, 494, 581;
221/36, 38, 42, 45-54, 56, 61, 62;
220/503, 520, 660, 669, 675

CPC B65D 83/0894; B65D 83/08; B65D
83/0817; B65D 83/0811; B65D 83/0835;
B65D 83/00; B65D 83/0852; B65D 83/0816;
B65D 85/16; B65D 85/671; B65D 85/00;
B65D 33/001; B65D 2575/586; B65D 25/04;
B65D 43/162; B65D 81/22; B65D 77/24;
B65D 77/06; B65D 77/003; B65D
2543/00296; B65D 2543/00194; B65D 75/32;
B65D 75/46; B65D 75/327; B65D 5/72;
A47K 10/421; A47K 10/424; A47K 10/42;
A47K 10/422; A47K 10/44; A47K 10/38;

(57) **CLAIM**

The ornamental design for a wipes dispenser, as shown and
described.

DESCRIPTION

FIG. 1 is a top, front, right perspective view of a dispenser
embodying our new design.

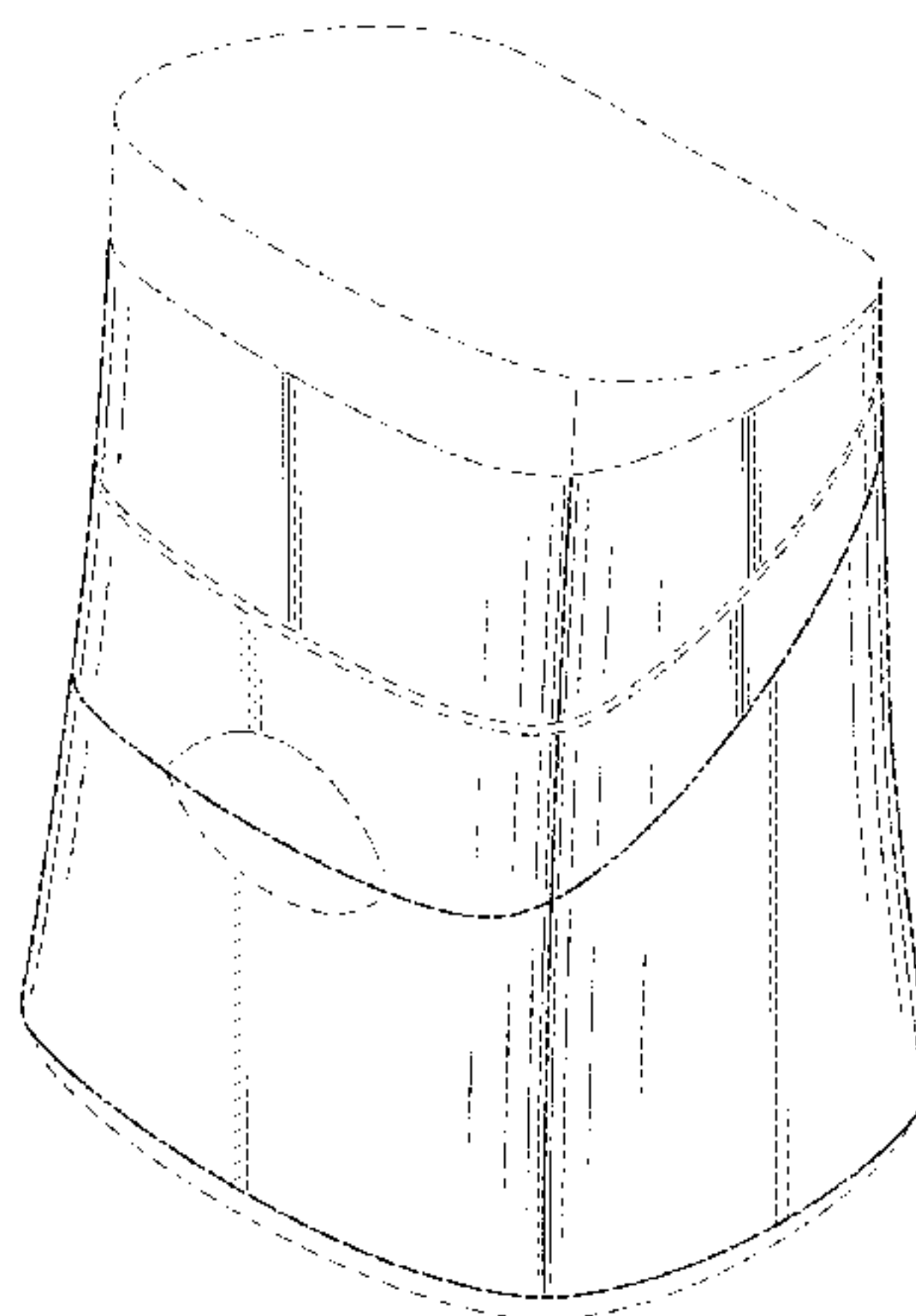
FIG. 2 is a front elevational view of the dispenser shown in
FIG. 1.

FIG. 3 is a right side elevational view of the dispenser shown
in FIG. 1, the left side elevational view being a mirror image
thereof.

FIG. 4 is a rear elevational view of the dispenser shown in
FIG. 1. and,

FIG. 5 is a top plan view of the dispenser shown in FIG. 1.
The large-dash small-dash broken lines in the drawings near
an upper portion of the dispenser and near a latch on a front
portion of the dispenser represent the bounds of the claimed
design while all other broken lines in the drawings represent
unclaimed environmental subject matter and form no part of
the claim.

1 Claim, 5 Drawing Sheets



(56)

References Cited

U.S. PATENT DOCUMENTS

3,362,575 A 1/1968 Stephen
 3,523,653 A 8/1970 Hansen
 4,181,218 A 1/1980 Cox
 4,197,939 A 4/1980 Dogliotti
 4,535,912 A 8/1985 Bonk
 4,553,668 A 11/1985 James et al.
 4,694,973 A 9/1987 Rose et al.
 5,483,999 A 1/1996 Lampropoulos et al.
 5,752,464 A 5/1998 King et al.
 6,318,590 B1 11/2001 McMurray-Stivers
 D467,799 S 12/2002 Persson
 6,520,331 B2 2/2003 Okin et al.
 6,561,378 B1 5/2003 Roessler et al.
 6,848,594 B2 2/2005 Holland
 6,908,007 B2 6/2005 Hrdlicka
 D523,668 S 6/2006 Azrak
 D540,188 S 4/2007 Karussi et al.
 D541,173 S 4/2007 Karussi et al.
 7,228,984 B2 6/2007 Tack et al.
 D552,468 S 10/2007 Seum et al.
 7,328,869 B1 2/2008 Zies
 D571,226 S 6/2008 Bartolucci et al.

D574,246 S 8/2008 Russell et al.
 7,530,472 B2 5/2009 Bitowft et al.
 7,559,434 B2 7/2009 Masting
 7,762,426 B2 7/2010 Stevens et al.
 7,922,036 B2 4/2011 Bendor et al.
 D649,659 S 11/2011 Belfance et al.
 2006/0180596 A1 8/2006 Young et al.
 2007/0215632 A1* 9/2007 Bendor et al. 221/63
 2008/0025787 A1 1/2008 Shea
 2008/0105699 A1 5/2008 Wong et al.
 2009/0152290 A1 6/2009 Wang et al.
 2010/0108553 A1* 5/2010 McLaughlin 206/385

FOREIGN PATENT DOCUMENTS

DE 20 2011 003 375 U1 8/2011
 GB 2 457 461 A1 8/2009
 JP 2001-002102 A 1/2001
 JP 2002-096835 A 4/2002
 JP 2008-114895 A 5/2008
 JP 2009-234598 A 10/2009
 WO WO 2006/035697 A1 4/2006
 WO WO 2006/070771 A1 7/2006
 WO WO 2006/107021 A1 10/2006

* cited by examiner

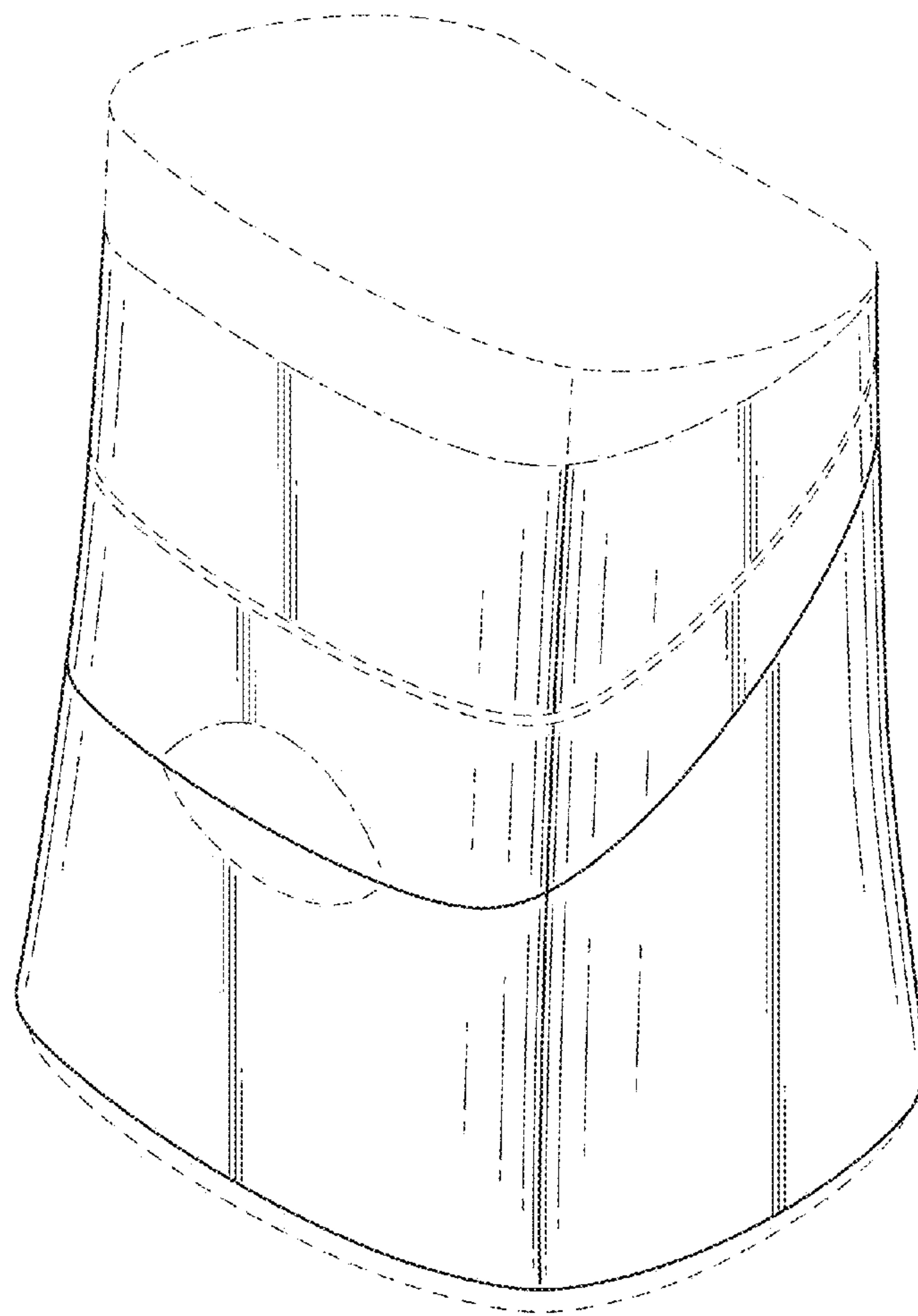


FIG. 1

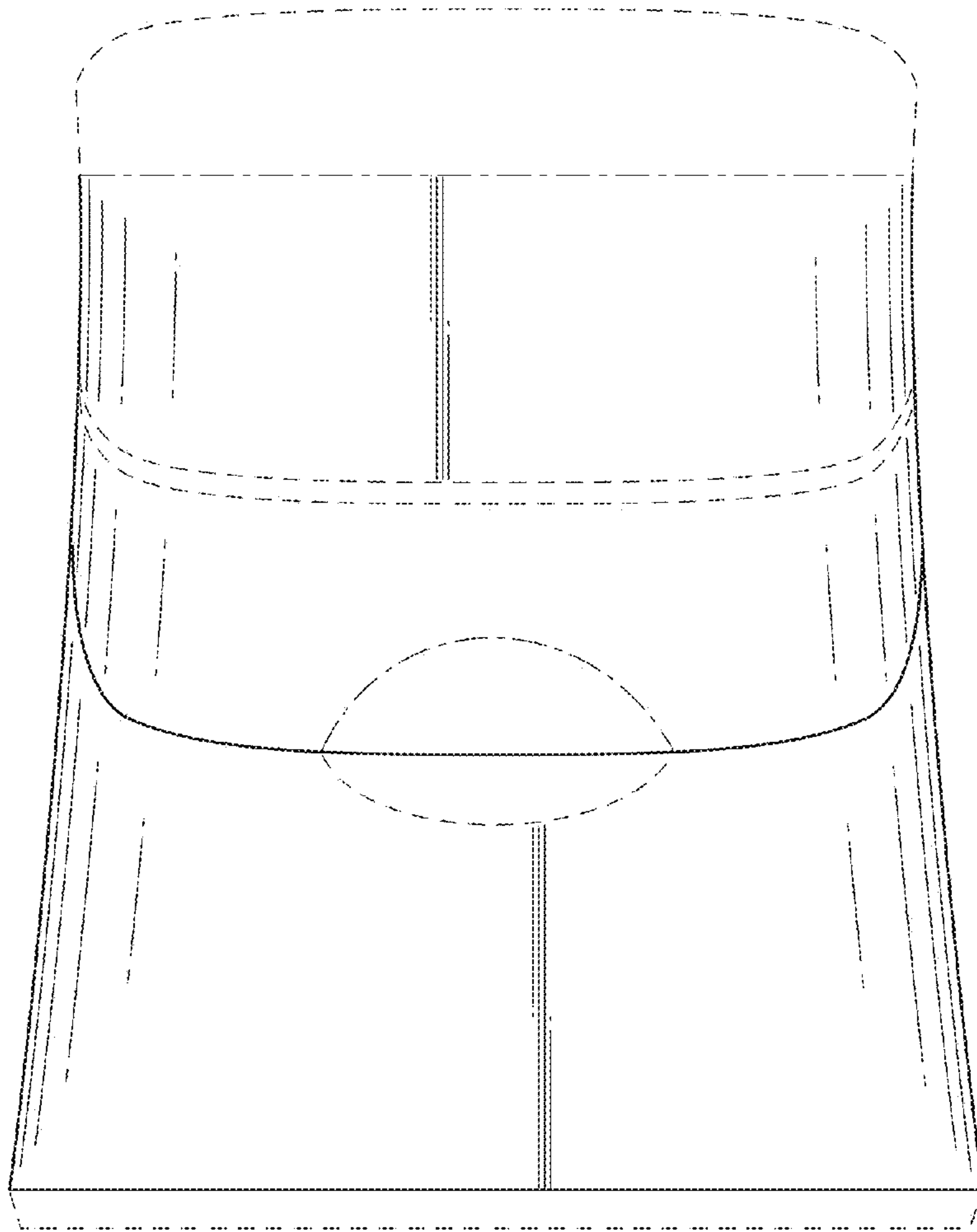


FIG. 2

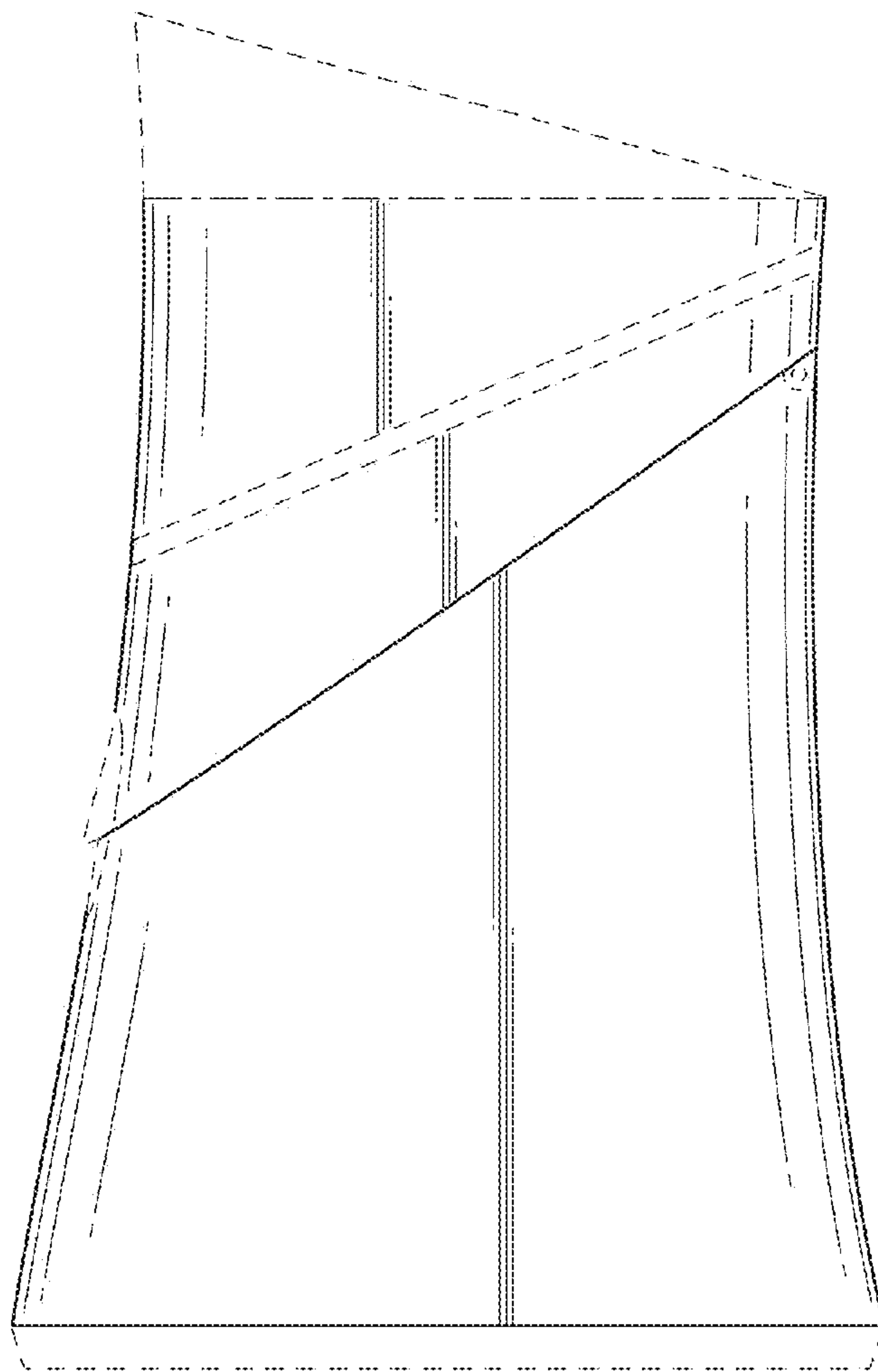


FIG. 3

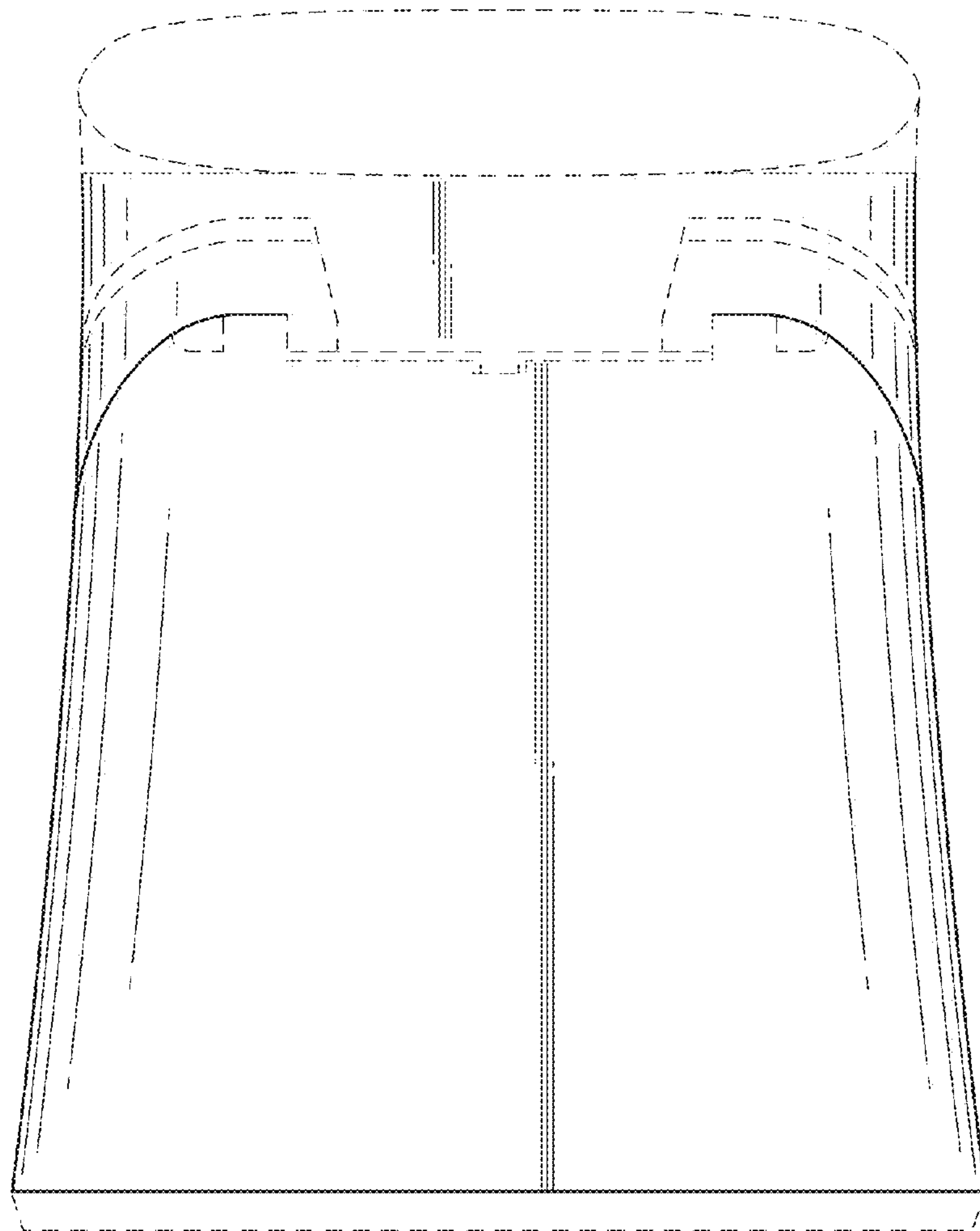


FIG. 4

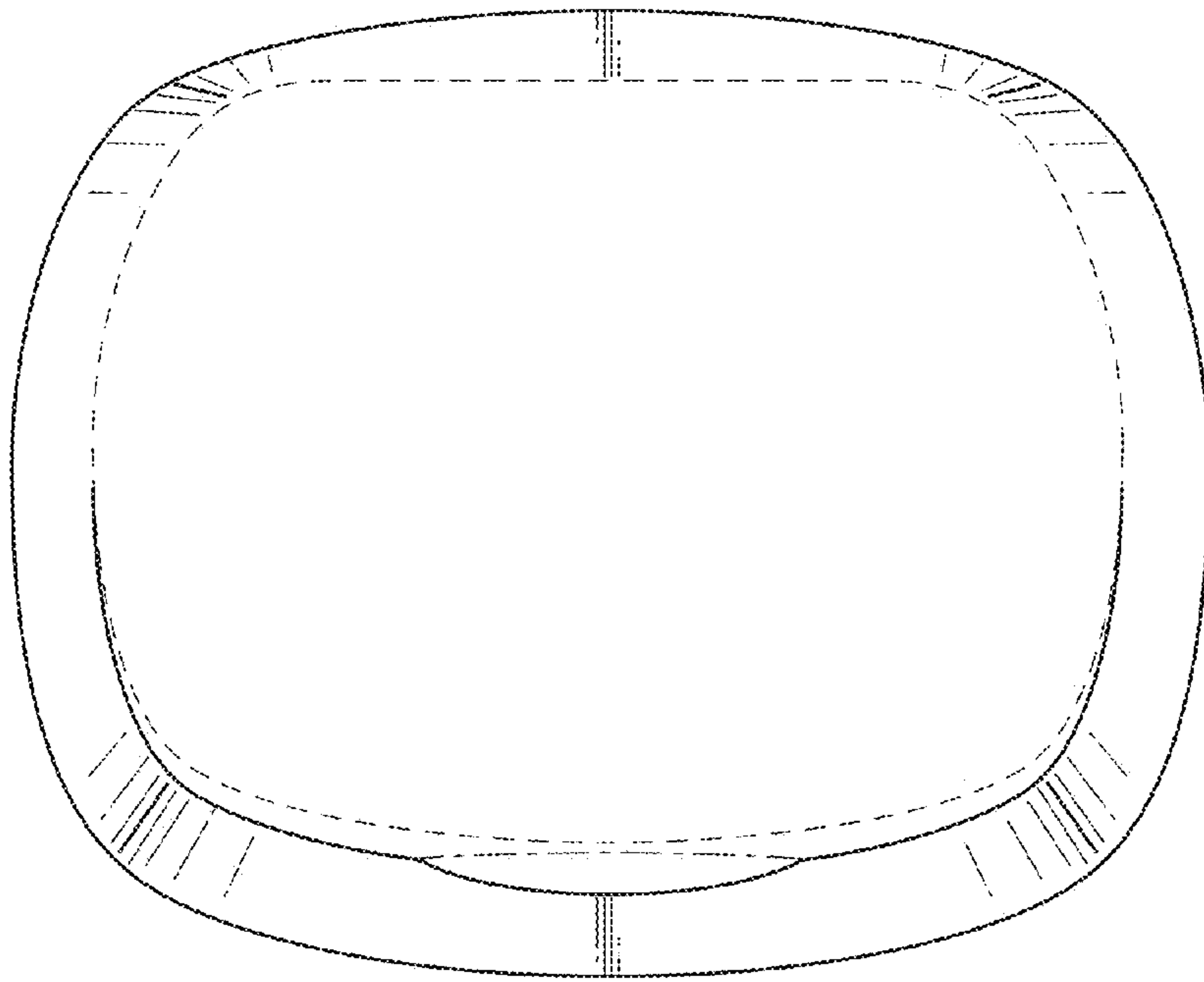


FIG. 5