

US00D768008S

(12) **United States Design Patent**
Akana et al.

(10) **Patent No.:** **US D768,008 S**
(45) **Date of Patent:** **** Oct. 4, 2016**

(54) **PACKAGING WITH ACCESSORIES**

206/471, 557, 562, 564, 570, 581, 769, 770,
206/775, 776, 777, 820, 823; 229/100,
229/103.3, 162.1, 117.03-117.08, 186, 917,
229/933, 937, 942

(71) Applicant: **Apple Inc.**, Cupertino, CA (US)

(72) Inventors: **Jody Akana**, San Francisco, CA (US);
Bartley K. Andre, Palo Alto, CA (US);
Shota Aoyagi, San Francisco, CA (US);
Jeremy Bataillou, San Francisco, CA
(US); **Daniel J. Coster**, San Francisco,
CA (US); **Daniele De Iuliis**, San
Francisco, CA (US); **M. Evans
Hankey**, San Francisco, CA (US);
Julian Hoenig, San Francisco, CA
(US); **Richard P. Howarth**, San
Francisco, CA (US); **Jonathan P. Ive**,
San Francisco, CA (US); **Duncan
Robert Kerr**, San Francisco, CA (US);
Matthew Dean Rohrbach, San
Francisco, CA (US); **Peter
Russell-Clarke**, San Francisco, CA
(US); **Mikael Silvano**, San Francisco,
CA (US); **Christopher J. Stringer**,
Woodside, CA (US); **Eugene Antony
Whang**, San Francisco, CA (US); **Rico
Zörkendörfer**, San Francisco, CA (US)

CPC Y10S 206/82; Y10S 206/806; Y10S
206/822; B65D 1/36; B65D 2571/0066;
B65D 1/34; B65D 71/70; B65D 75/327;
B65D 85/00; B65D 2543/00296; B65D
5/5021; B65D 77/24; B65D 5/5038; B65D
2543/00194; B65D 75/367; B65D 81/3453;
B65D 21/0233; B65D 81/133; B65D
77/0413; B65D 81/025; B65D 2501/24216;
B65D 2571/00925

See application file for complete search history.

(73) Assignee: **Apple Inc.**, Cupertino, CA (US)

(**) Term: **14 Years**

(21) Appl. No.: **29/500,949**

(22) Filed: **Aug. 29, 2014**

Related U.S. Application Data

(63) Continuation of application No. 29/431,877, filed on
Sep. 12, 2012, now Pat. No. Des. 712,748.

(51) **LOC (10) Cl.** **09-01**

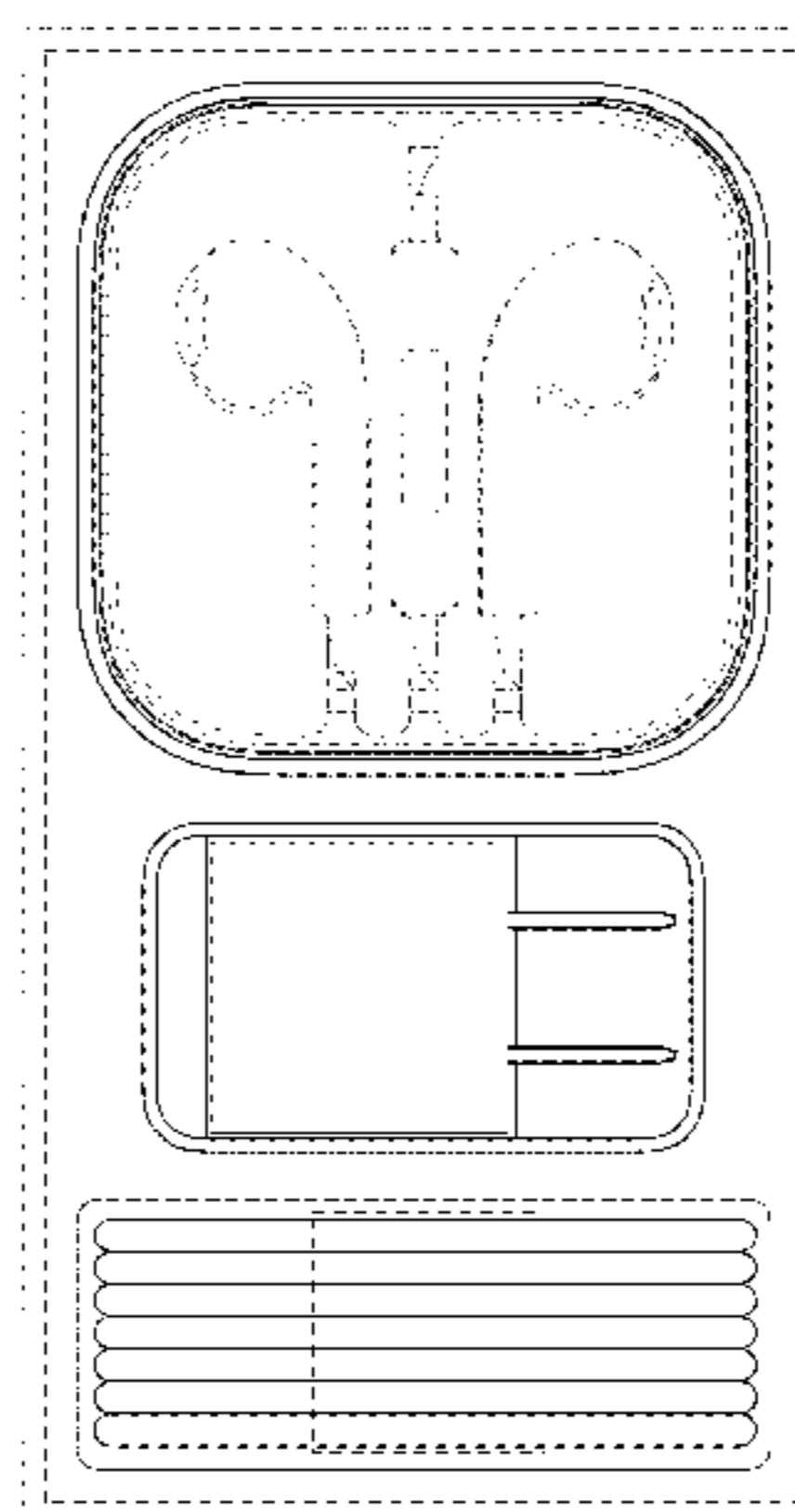
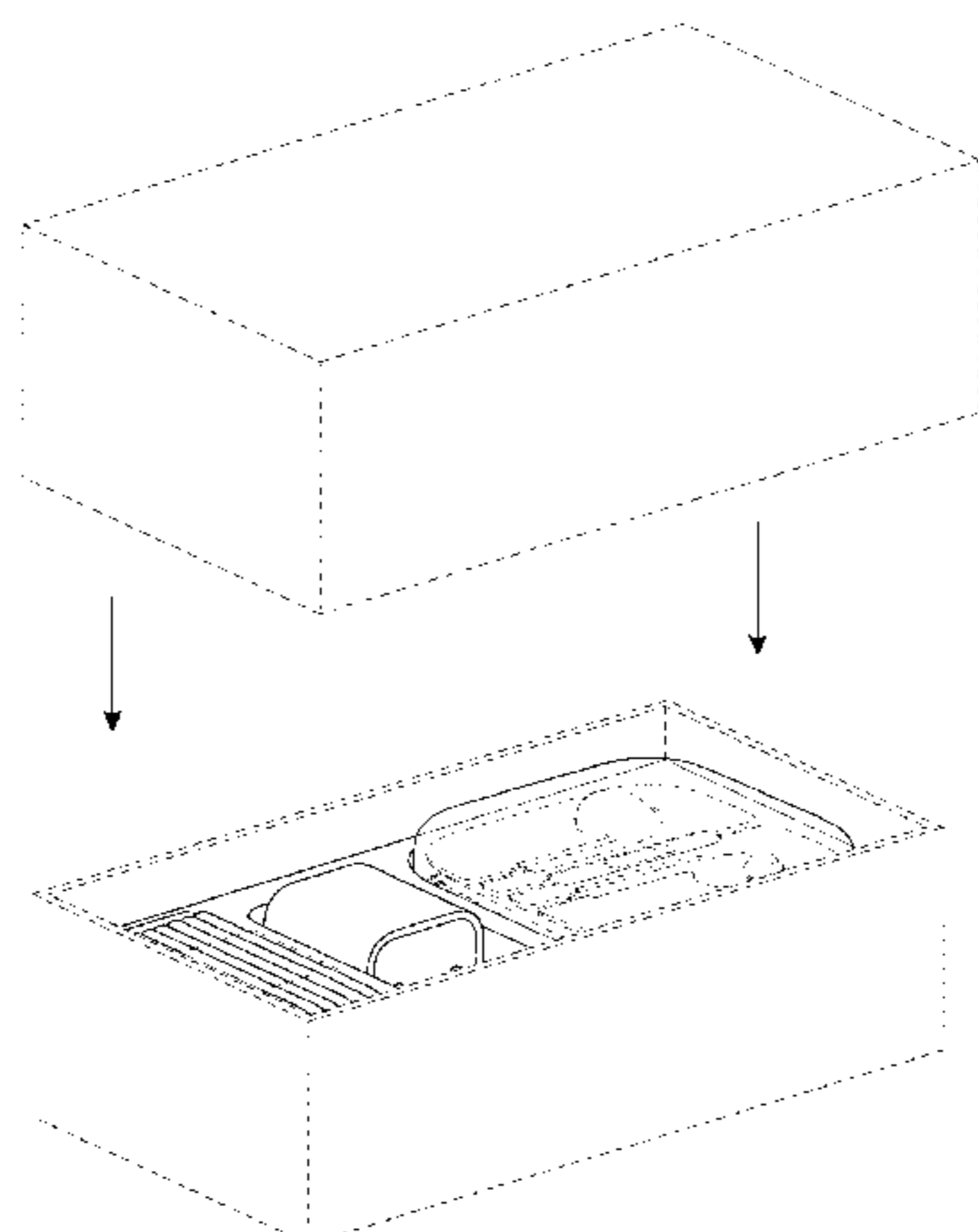
(52) **U.S. Cl.**
USPC **D9/721**

(58) **Field of Classification Search**
USPC D9/414, 418, 423, 424, 425, 426, 430,
D9/432, 455, 456, 457, 737; 206/38, 192,
206/199, 201, 203, 214, 216, 223, 370, 467,

(56) **References Cited**

U.S. PATENT DOCUMENTS

4,542,822 A	9/1985	Kennedy, Jr. et al.
4,606,460 A	8/1986	Luray
5,311,990 A	5/1994	Kalinski
D349,456 S	8/1994	Wilson
5,449,071 A	9/1995	Levy
5,462,170 A	10/1995	Colgate
D397,865 S	9/1998	Lin
5,984,224 A	11/1999	Yang
6,400,247 B1	6/2002	King
6,779,566 B2	8/2004	Engel
D506,744 S	6/2005	Andre et al.
D531,025 S	10/2006	Tanner
D558,571 S	1/2008	Andre et al.
D580,752 S	11/2008	Andre et al.
D583,362 S	12/2008	Hsu et al.
D596,485 S	7/2009	Andre et al.
D601,884 S	10/2009	Andre et al.
D604,501 S	11/2009	Lee
D611,415 S	3/2010	Andre et al.
D620,795 S	8/2010	Andre et al.
D621,256 S	8/2010	Andre et al.
7,878,326 B2	2/2011	Andre et al.
D649,449 S	11/2011	Akana et al.
D649,450 S	11/2011	Andre et al.
D658,492 S	5/2012	Akana et al.
D659,530 S	5/2012	Akana et al.
D668,143 S	10/2012	Akana et al.
D681,015 S	4/2013	Akana et al.
D691,594 S	10/2013	Akana et al.
D694,249 S	11/2013	Akana et al.
D704,072 S	5/2014	Akana et al.



D704,073	S	5/2014	Akana et al.	
D706,643	S	6/2014	Akana et al.	
D712,748	S *	9/2014	Akana et al.	D9/721
D713,738	S *	9/2014	Akana et al.	D9/721
D713,739	S *	9/2014	Akana et al.	D9/721
D713,740	S *	9/2014	Akana et al.	D9/721
2003/0159969	A1 *	8/2003	McMichael et al.	206/570
2009/0326707	A1 *	12/2009	Mattila	700/216
2012/0128193	A1	5/2012	Stevinson	
2013/0114231	A1 *	5/2013	Cheng	361/807
2013/0118944	A1	5/2013	Niuro et al.	

OTHER PUBLICATIONS

Jacostore.co.uk, "Black Ladybird Beetle Earphones," (<http://www.jacostore.co.uk/black-ladybird-beetle-earphones-45-p.asp>), accessed Oct. 19, 2012, 1 page.
U.S. Appl. No. 29/408,999, filed Dec. 19, 2011.
U.S. Appl. No. 29/409,740, filed Dec. 28, 2011.
U.S. Appl. No. 29/431,876, filed Sep. 11, 2012.
U.S. Appl. No. 29/431,877, filed Sep. 12, 2012.
U.S. Appl. No. 29/432,035, filed Sep. 12, 2012.
U.S. Appl. No. 29/432,147, filed Sep. 13, 2012.
U.S. Appl. No. 29/432,409, filed Sep. 14, 2012.

* cited by examiner

Primary Examiner — Derrick Holland
Assistant Examiner — Lauren Calve
(74) *Attorney, Agent, or Firm* — Sterne, Kessler, Goldstein & Fox P.L.L.C.

(57) **CLAIM**
The ornamental design for packaging with accessories, as shown and described.

DESCRIPTION

FIG. 1 is an exploded bottom front perspective view of packaging with accessories showing our new design; FIG. 2 is a front view thereof, shown without the lid; FIG. 3 is a rear view thereof; FIG. 4 is a side view thereof; FIG. 5 is another side view thereof; FIG. 6 is a top view thereof; and, FIG. 7 is a bottom view thereof. The broken lines in the Figures show environment and portions of the packaging with accessories which form no part of the claimed design. The shade lines in the Figures show transparency and not surface ornamentation.

1 Claim, 5 Drawing Sheets

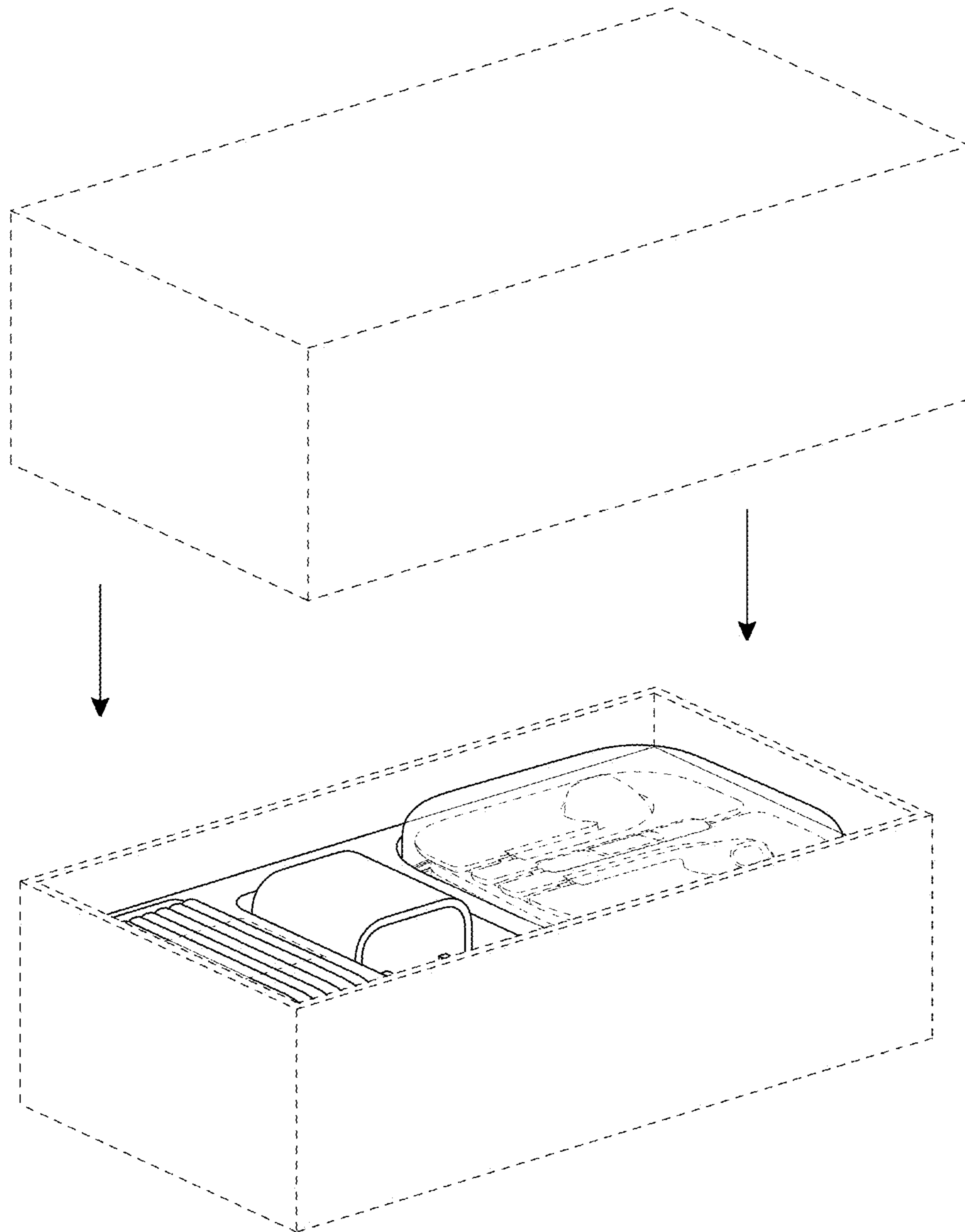


FIG. 1

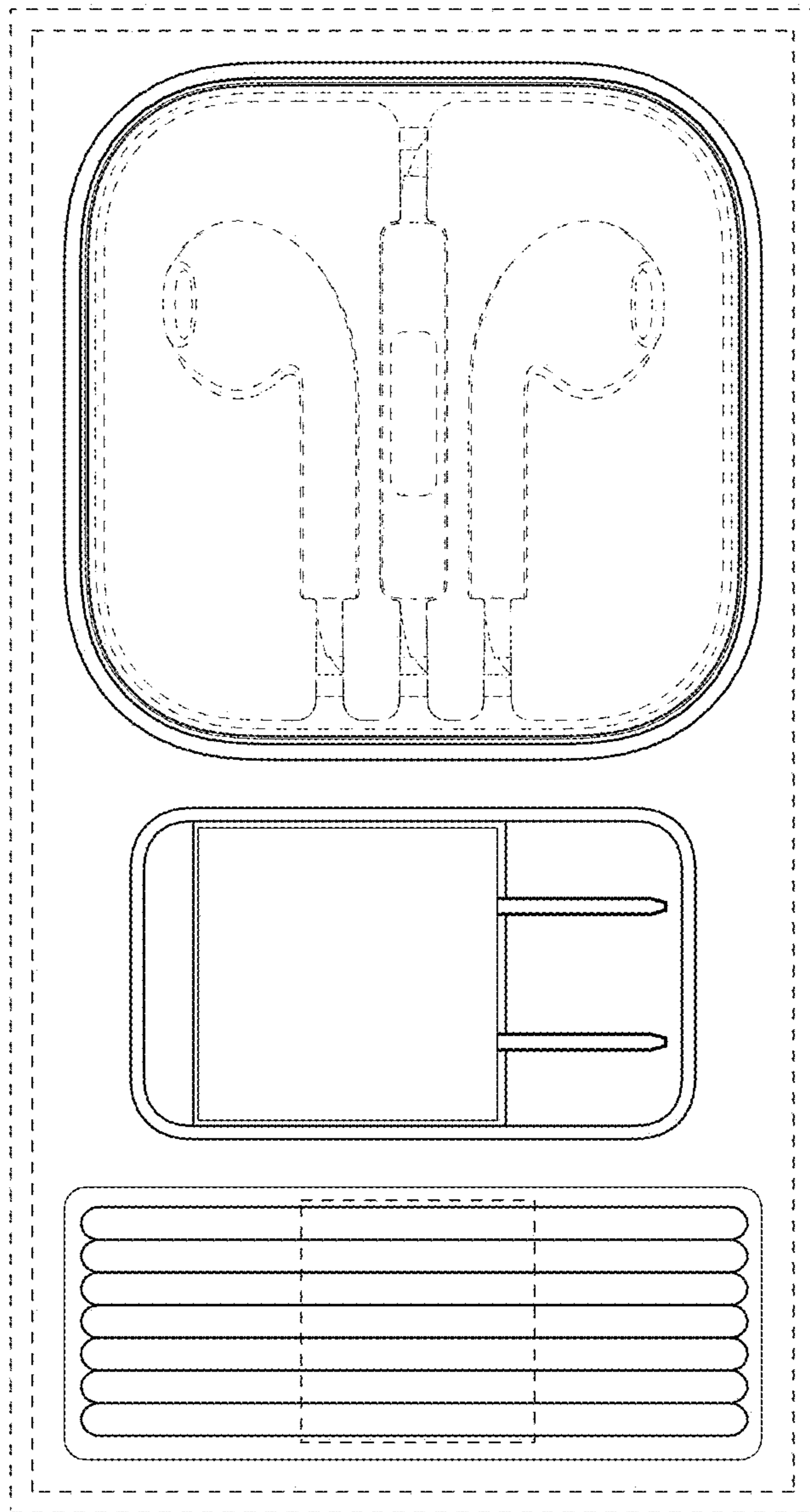


FIG. 2

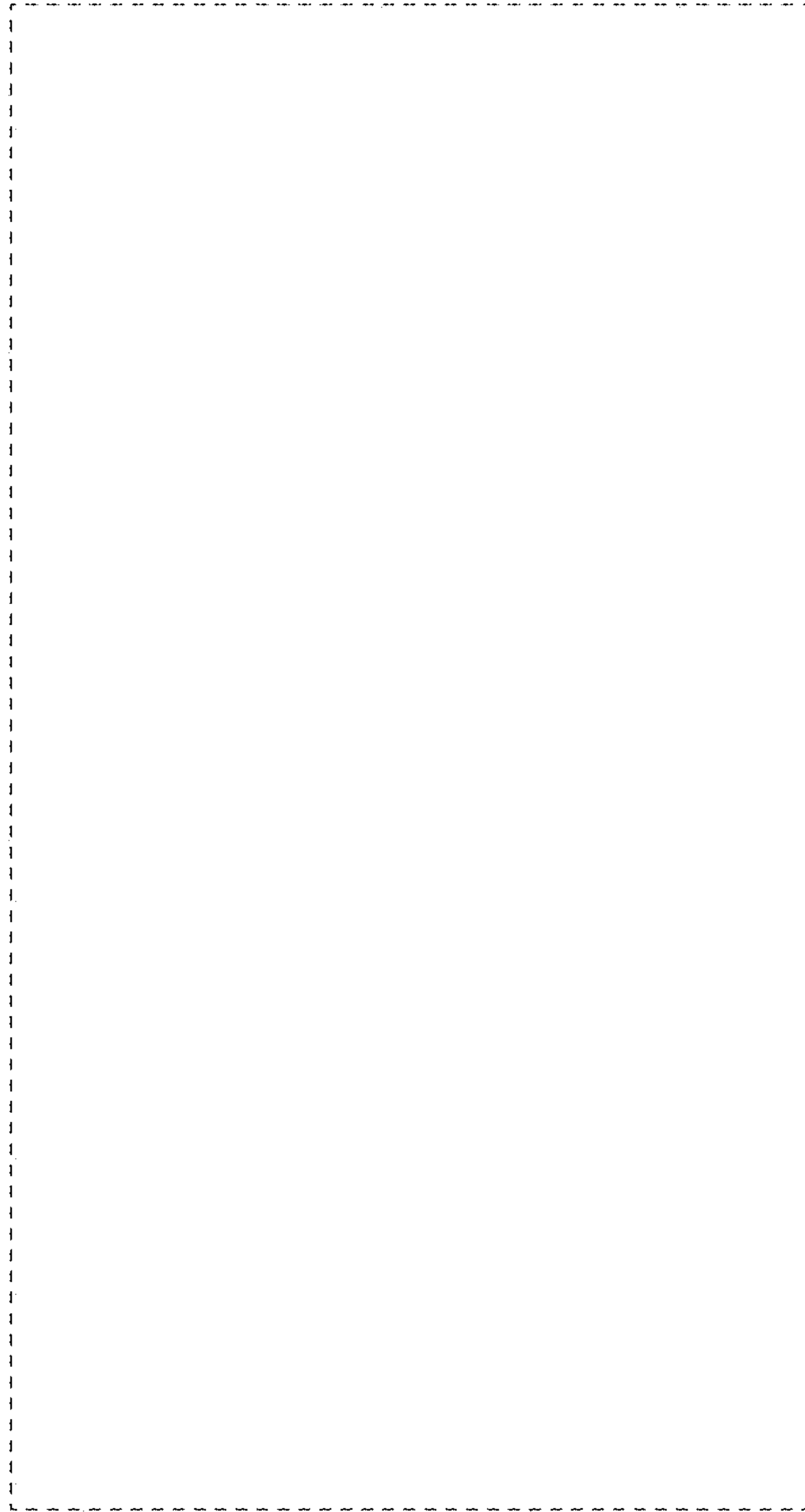


FIG. 3



FIG. 4

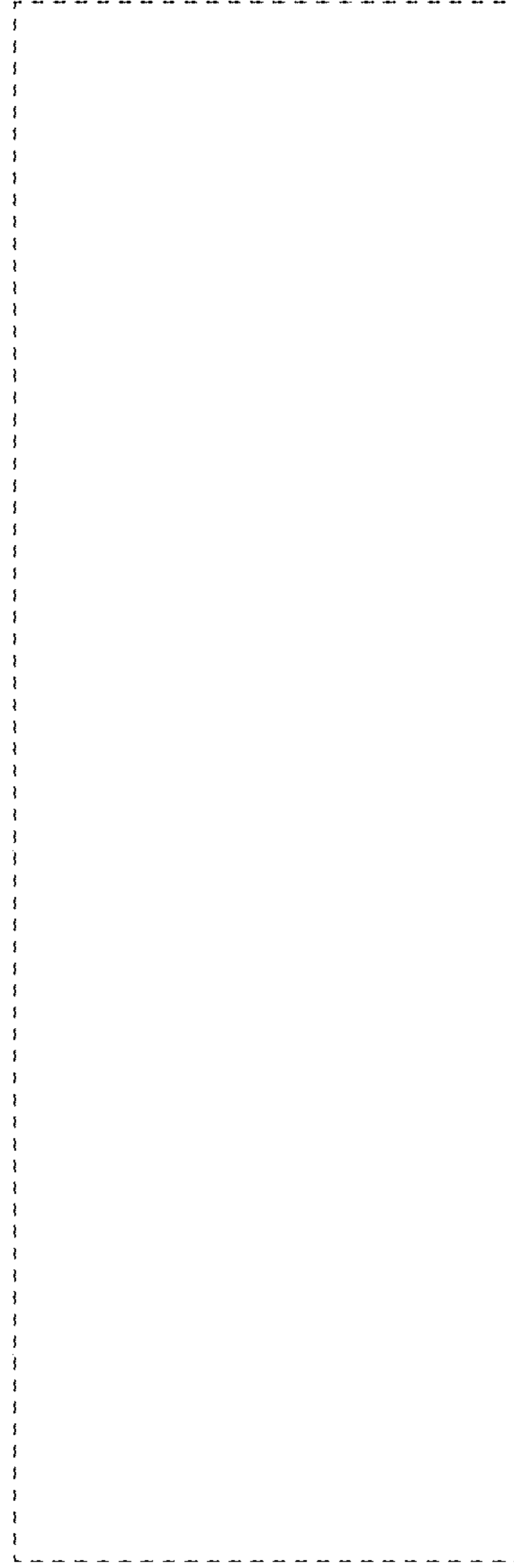


FIG. 5



FIG. 6



FIG. 7

UNITED STATES PATENT AND TRADEMARK OFFICE
CERTIFICATE OF CORRECTION

PATENT NO. : D768,008 S
APPLICATION NO. : 29/500949
DATED : October 4, 2016
INVENTOR(S) : Jody Akana et al.

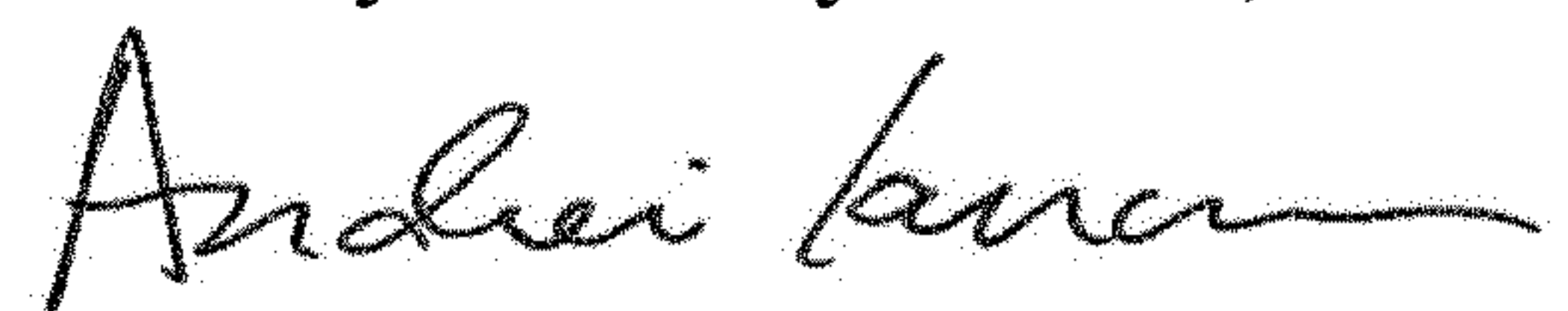
Page 1 of 1

It is certified that error appears in the above-identified patent and that said Letters Patent is hereby corrected as shown below:

On the Title Page

Page 2 item (57) in the DESCRIPTION, delete “The shade lines in the Figures show transparency and not surface ornamentation.”

Signed and Sealed this
Twenty-fifth Day of June, 2019



Andrei Iancu
Director of the United States Patent and Trademark Office