



US00D768006S

(12) **United States Design Patent**  
**Pitts**

(10) **Patent No.:** **US D768,006 S**  
(45) **Date of Patent:** **\*\* Oct. 4, 2016**

(54) **PACKET WITH INTEGRAL CONNECTOR TAB**

(71) Applicant: **AMERICAN GREASE STICK COMPANY**, Muskegon, MI (US)

(72) Inventor: **Logan D. Pitts**, North Muskegon, MI (US)

(73) Assignee: **AMERICAN GREASE STICK COMPANY**, Muskegon, MI (US)

(\*\*) Term: **14 Years**

(21) Appl. No.: **29/521,285**

(22) Filed: **Mar. 23, 2015**

(51) **LOC (10) Cl.** ..... **09-05**

(52) **U.S. Cl.**  
USPC ..... **D9/702**

(58) **Field of Classification Search**

USPC ..... D9/702-714, 720-722, 414, 434-435, D9/696, 716, 771, 447, 522, 571-575, 682, D9/738-747, 516-517, 529-530, 547-549, D9/569, 537-538, 544, 503-505, 545, 440, D9/444; 383/6, 9, 22, 96, 61.1, 80-81, 383/104, 901, 63, 203, 107, 119, 120, 123, 383/108, 904, 906-907; D24/118, 207; 222/107, 92, 206; 604/408, 410, 403; 220/495.03, 669, 675; 215/381-385, 215/12.1; D3/202, 303, 232, 244  
CPC ..... B65D 35/00; B65D 35/08; B65D 85/72; B65D 75/00; B65D 75/58; B65D 75/5085; B65D 65/00; B65D 65/10; B65D 65/38; B65D 81/00; B65D 81/24

See application file for complete search history.

(56) **References Cited**

**U.S. PATENT DOCUMENTS**

5,697,177 A 12/1997 Ludlow et al.  
6,305,329 B1 10/2001 Levy, Jr.

6,658,813 B2 12/2003 Clay  
6,679,029 B2 1/2004 Clay  
6,695,364 B2 2/2004 Bierlin  
6,905,075 B1 6/2005 Rosen  
7,014,041 B1 3/2006 Rosen et al.  
7,241,066 B1 7/2007 Rosen  
D573,037 S \* 7/2008 Murray ..... D9/710  
D606,882 S \* 12/2009 Sharp ..... D9/707  
D632,565 S \* 2/2011 Caldwell ..... D9/435  
D640,565 S \* 6/2011 Tsuruta ..... D9/702  
D667,312 S \* 9/2012 Risgalla ..... D9/705  
D670,573 S \* 11/2012 McDermott ..... D9/707  
8,376,183 B1 2/2013 Rosen  
D698,663 S \* 2/2014 Lin ..... D9/707  
D744,352 S \* 12/2015 Quarles ..... D9/707

(Continued)

*Primary Examiner* — Caron D Veynar

*Assistant Examiner* — Abraham Bahta

(74) *Attorney, Agent, or Firm* — Gardner, Linn, Burkhardt & Flory, LLP

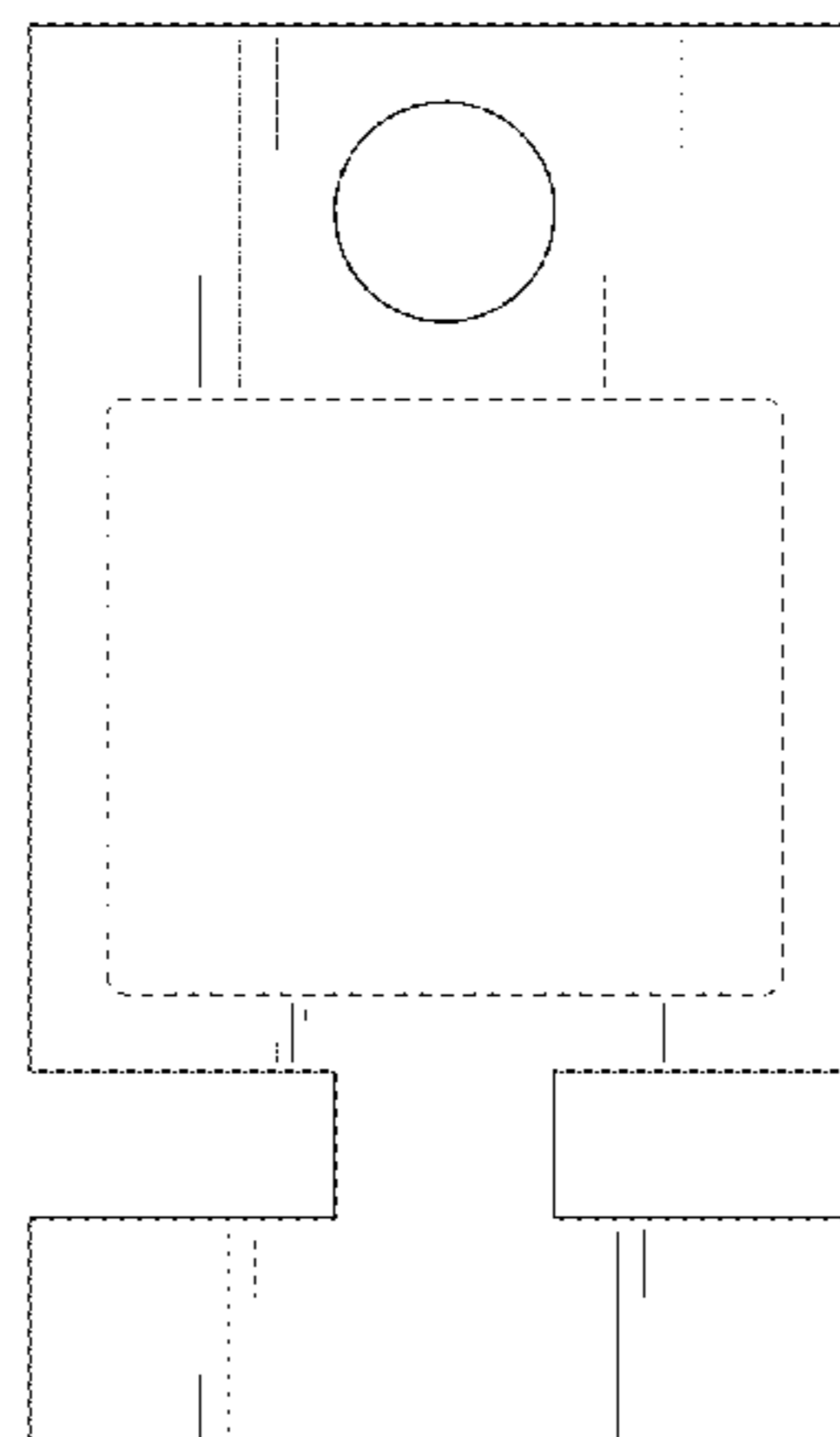
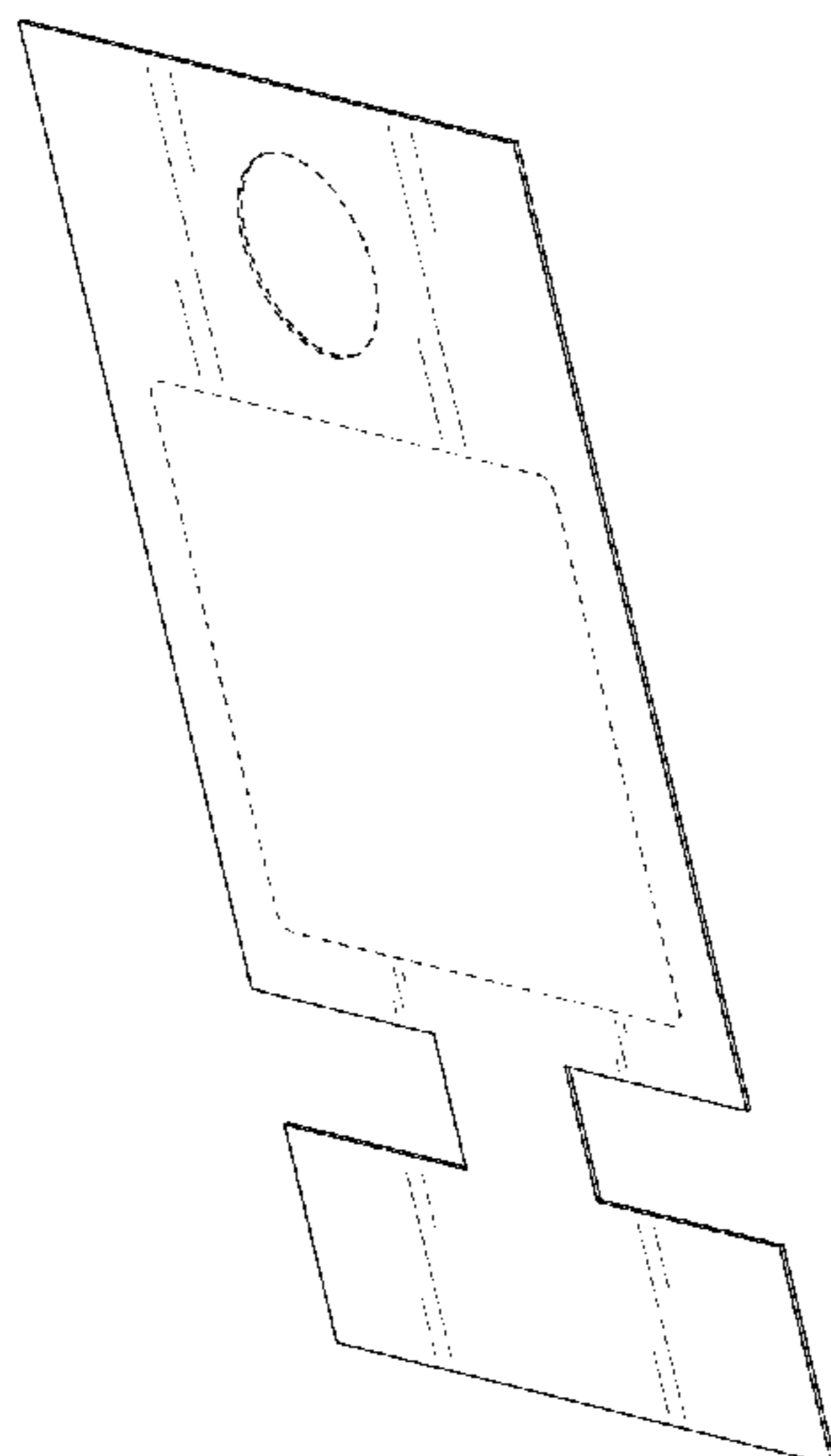
(57) **CLAIM**

The ornamental design for a packet with integral connector tab, as shown and described.

**DESCRIPTION**

FIG. 1 is a perspective view of a packet with integral connector tab in accordance with the present invention; FIG. 2 is a front elevation thereof; FIG. 3 is a rear elevation thereof; FIG. 4 is a side elevation thereof; FIG. 5 is an opposite side elevation thereof; FIG. 6 is a top plan view thereof; FIG. 7 is a bottom plan view thereof; and, FIG. 8 is a front elevation of the packet with integral connector tab of FIG. 1, with a circular aperture. In the drawings, the dashed lines in FIGS. 1-8 are included to show environmental features and portions of the packet with integral connector tab that form no part of the claimed design.

**1 Claim, 6 Drawing Sheets**



# US D768,006 S

Page 2

---

(56)

## References Cited

U.S. PATENT DOCUMENTS

2003/0213707 A1 11/2003 Clay

2005/0188652 A1 9/2005 Davolio et al.  
2006/0169604 A1 8/2006 Clay

\* cited by examiner

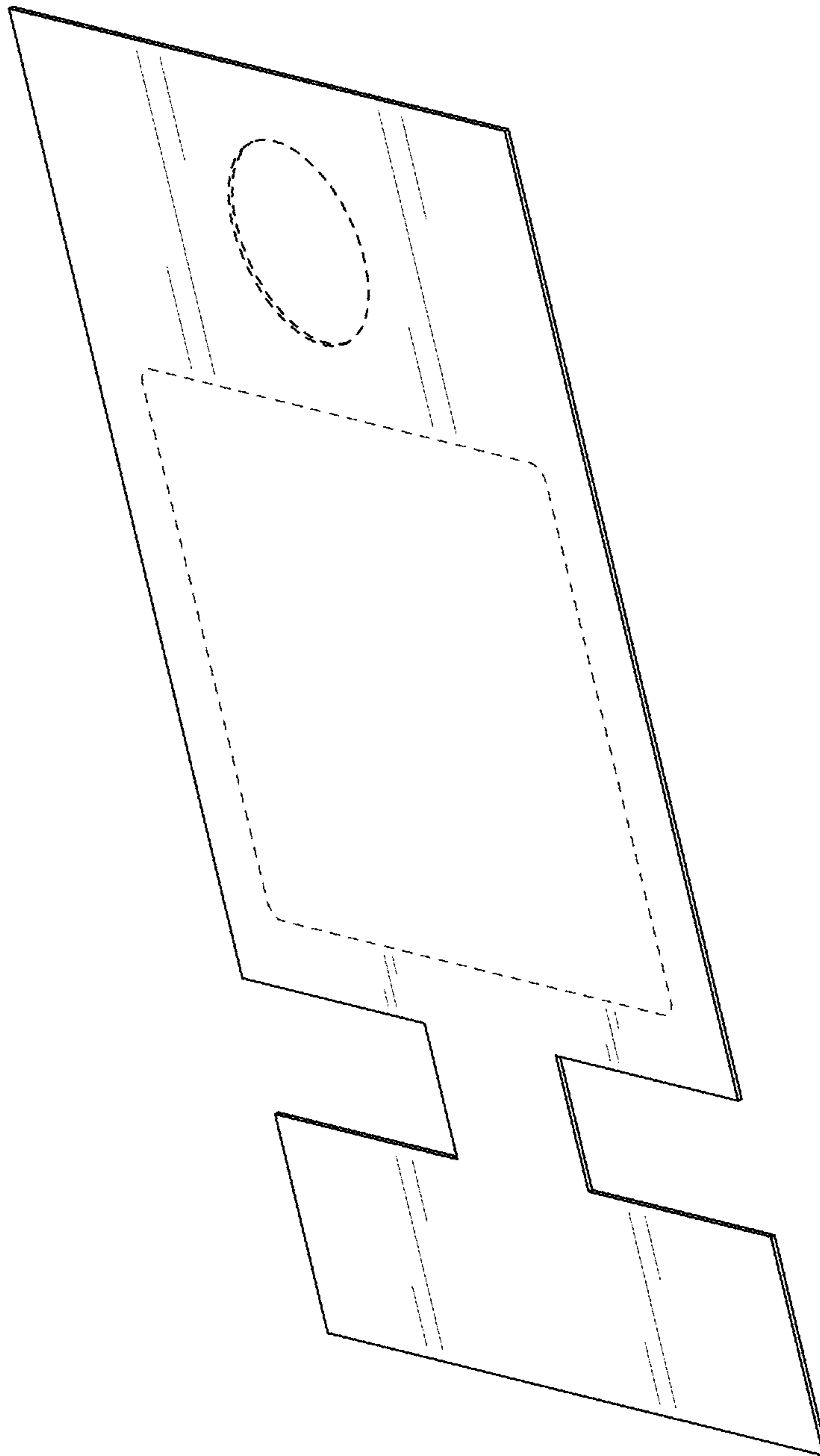


FIG. 1

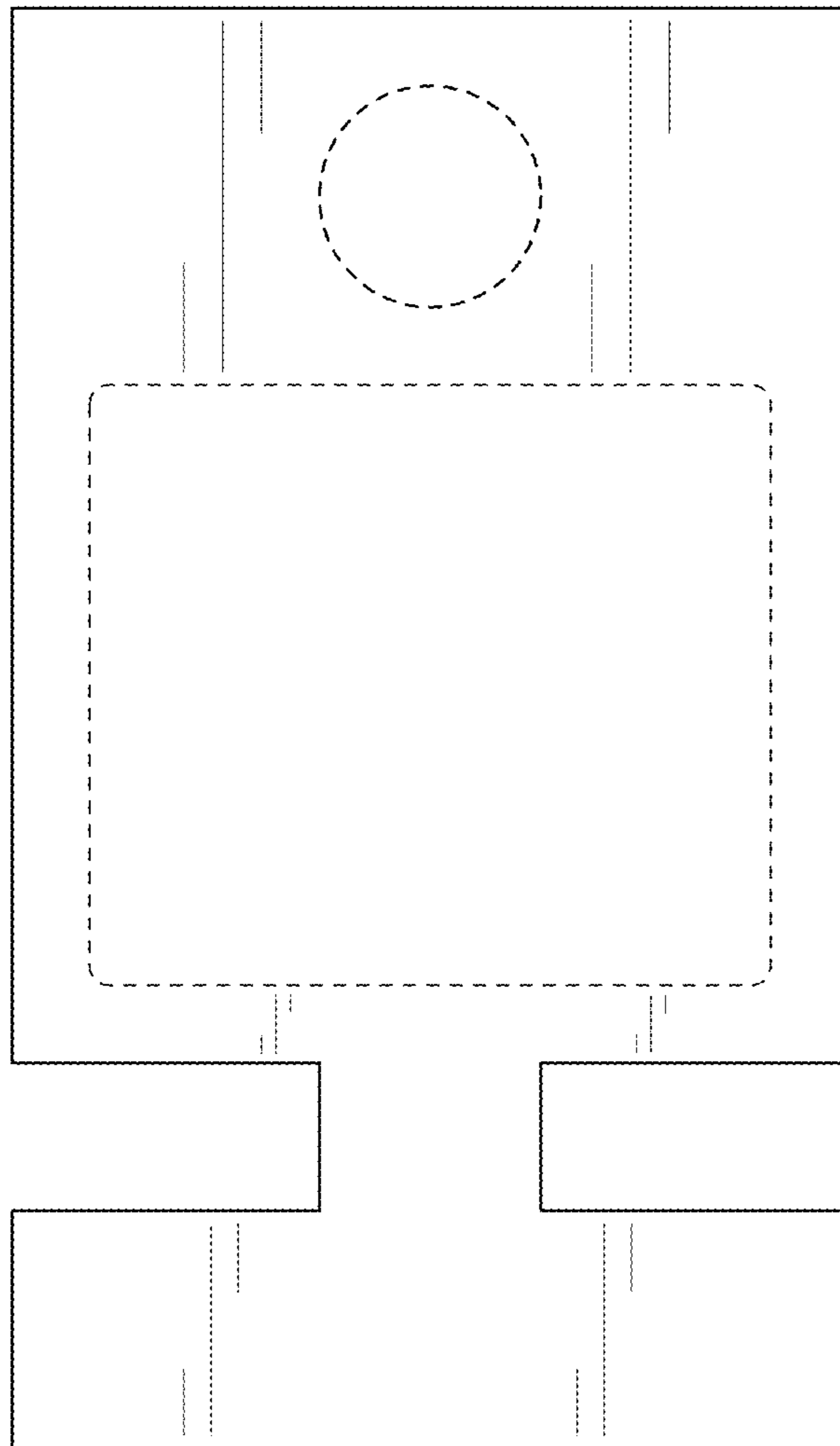


FIG. 2

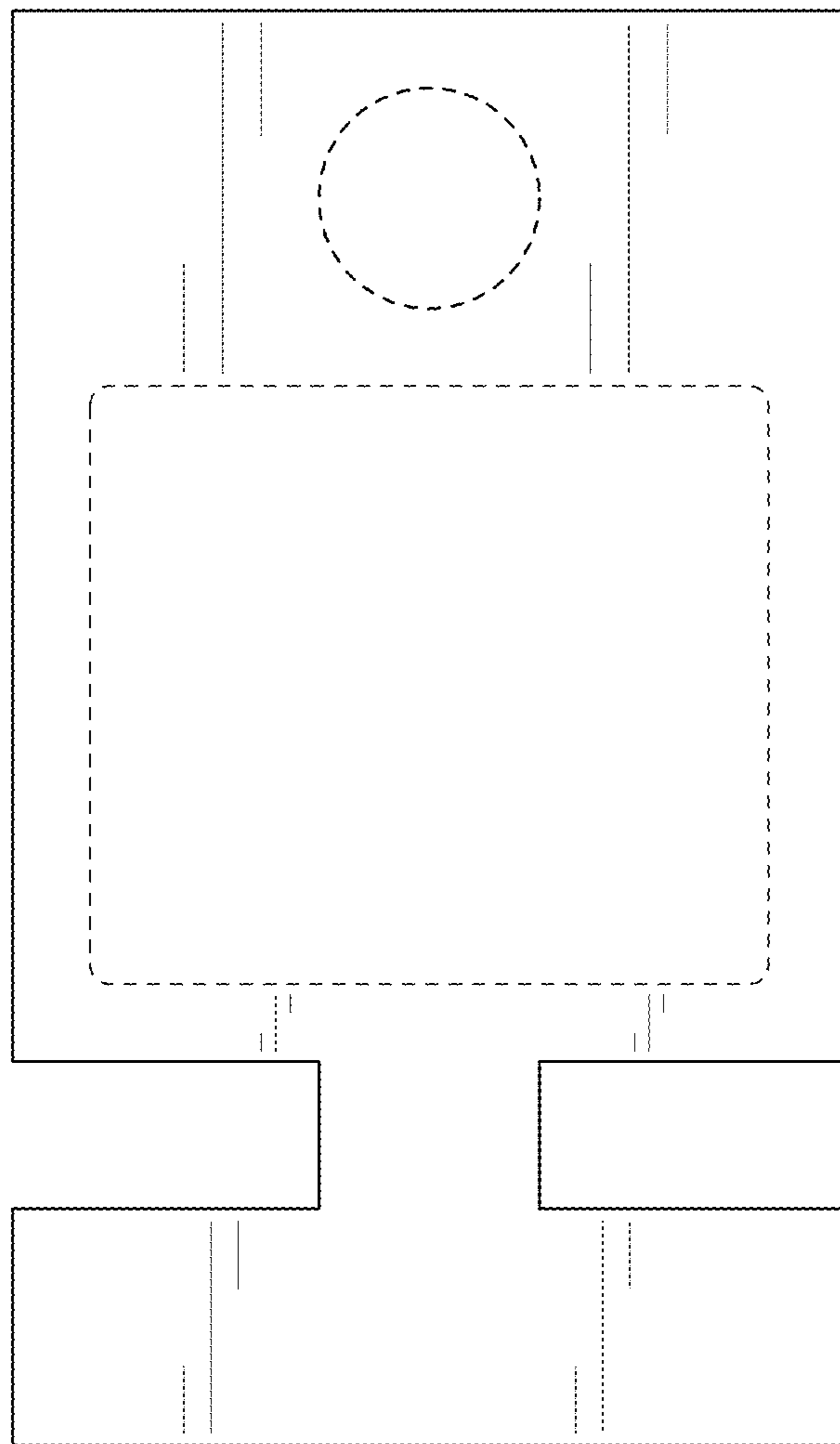


FIG. 3



FIG. 4

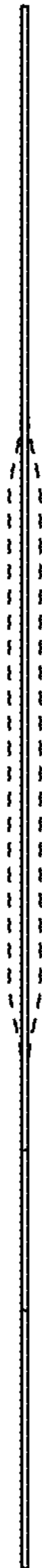


FIG. 5

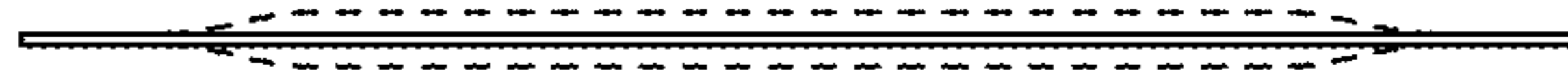


FIG. 6

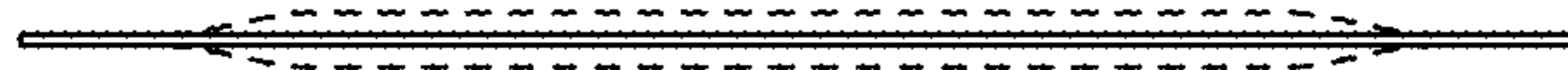


FIG. 7

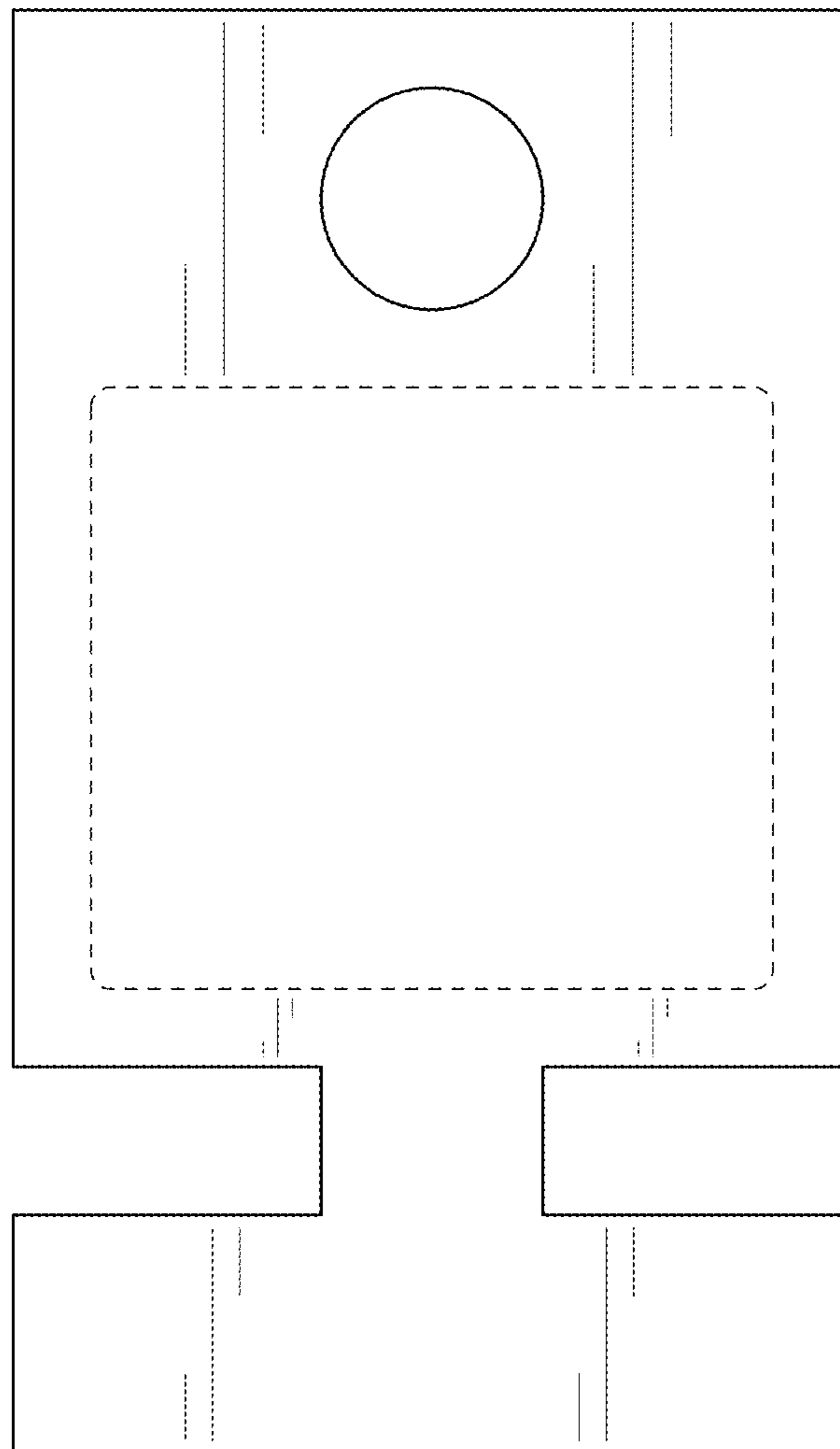


FIG. 8