



US00D768002S

(12) **United States Design Patent** (10) **Patent No.:** **US D768,002 S**
Fernandez, II et al. (45) **Date of Patent:** **** Oct. 4, 2016**

(54) **SNOW GLOBE SOAP BOTTLE**
(71) Applicant: **The Dial Corporation**, Scottsdale, AZ (US)
(72) Inventors: **James A. Fernandez, II**, Chandler, AZ (US); **Isil Kayiran**, Seattle, WA (US); **Mary J. Conway**, Phoenix, AZ (US)
(73) Assignee: **The Dial Corporation**, Scottsdale, AZ (US)
(**) Term: **14 Years**
(21) Appl. No.: **29/522,770**
(22) Filed: **Apr. 2, 2015**
(51) **LOC (10) Cl.** **09-01**
(52) **U.S. Cl.**
USPC **D9/672**; D9/434; D9/600
(58) **Field of Classification Search**
USPC D9/600, 672, 682, 688-689, 500-505, D9/516, 434, 448, 499; 206/457, 494, 206/459.5, 527, 540; 229/116.1; 446/77; 215/381-384, 400; D3/270-271.3; 222/78, 92; 383/66, 88, 101, 123; 220/260, 890; D11/81, 84, 117-118, D11/121, 125; D7/514-517, 519-520, D7/300.2
CPC B65D 67/00; B65D 81/36; B65D 81/60; B65D 81/368; B65D 2203/00; B65D 2203/02; B65D 33/00; B65D 33/04; A63H 33/16; B05B 11/00; B05B 11/0005; B05B 15/007
See application file for complete search history.

D422,212 S * 4/2000 Zaksenberg D9/434
D422,910 S * 4/2000 Zaksenberg D9/434
D432,419 S * 10/2000 Zaksenberg D9/434
D432,420 S * 10/2000 Zaksenberg D9/434
D436,037 S * 1/2001 Zaksenberg D9/434
D451,803 S * 12/2001 Zaksenberg D9/434
6,345,731 B2 * 2/2002 Bitton 222/78
D459,210 S * 6/2002 McGuinness D9/689
6,620,017 B1 * 9/2003 Bitton B05B 15/007
446/15
6,729,500 B1 * 5/2004 Dobbs B05B 15/007
222/78
D547,655 S * 7/2007 van der Heijden D9/434
D628,119 S * 11/2010 Sandberg D11/121
D636,668 S * 4/2011 Maddy D9/434
7,954,669 B2 * 6/2011 VanGordon B05B 15/007
222/78
D646,168 S * 10/2011 Jansen D9/500
D690,225 S * 9/2013 DuBow D11/125
D718,627 S * 12/2014 Rasgon D9/436
D722,889 S * 2/2015 Cline D11/125

* cited by examiner

Primary Examiner — Sandra Morris
(74) *Attorney, Agent, or Firm* — David K. Benson

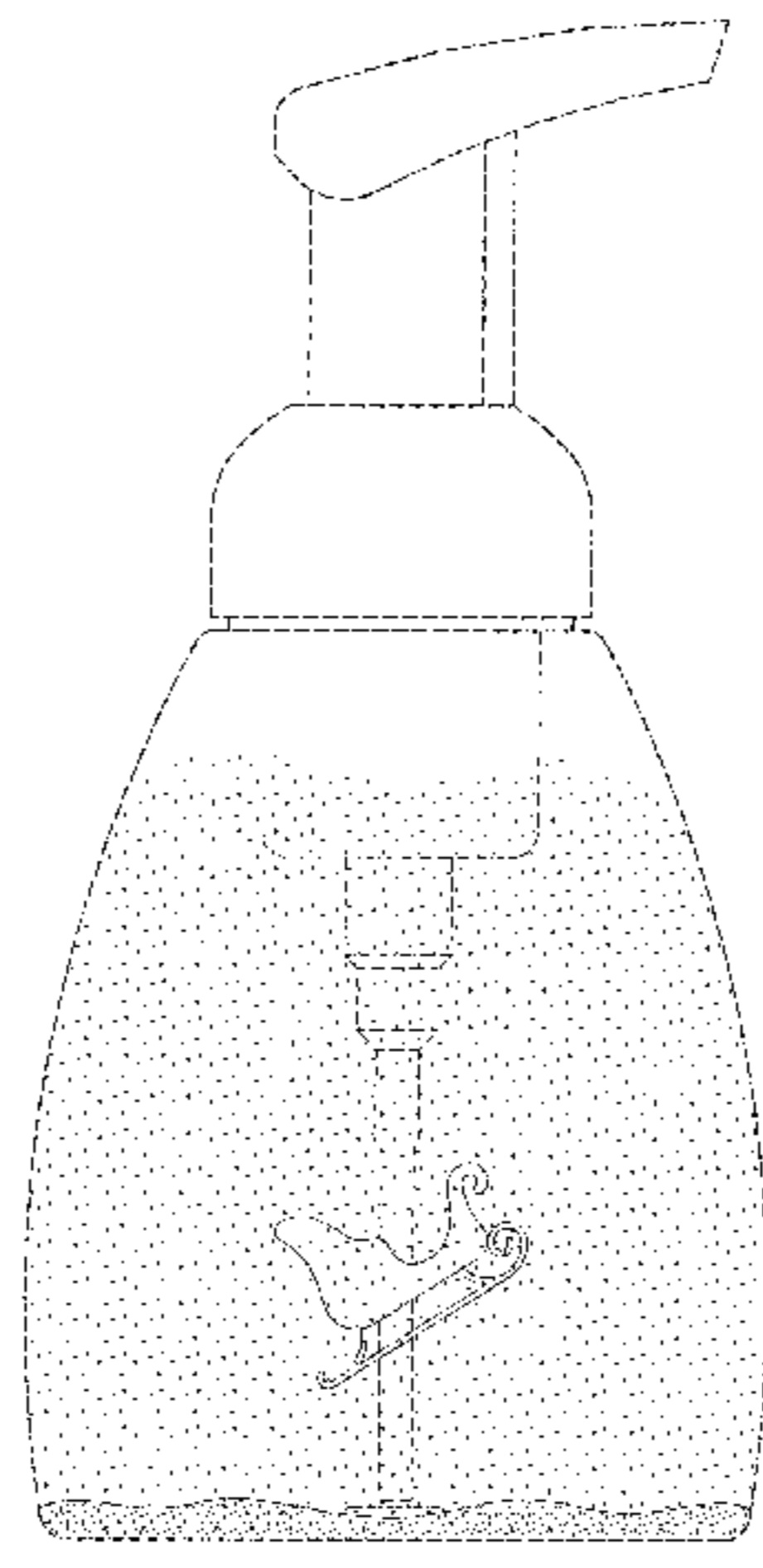
(57) **CLAIM**
The ornamental design for a snow globe soap bottle, as shown and described.

DESCRIPTION

FIG. 1 is a front side elevation view of a snow globe soap bottle with a sleigh embodying our new design in which the particles are settled; and, FIG. 2 is a front side elevation view thereof in which the particles are suspended some time after agitation, in which the particles partially obscure the sleigh. There are no top, bottom, left, right, or rear elevational views, as the ornamental features of the design are either not claimed or not seen from those perspectives. The broken line showing is for illustrative purposes only, and forms no part of the claimed design.

1 Claim, 2 Drawing Sheets

(56) **References Cited**
U.S. PATENT DOCUMENTS
D159,393 S * 7/1950 Roche D11/121
D264,282 S * 5/1982 Blavat D11/125
5,915,600 A * 6/1999 Bitton B05B 11/0005
222/78



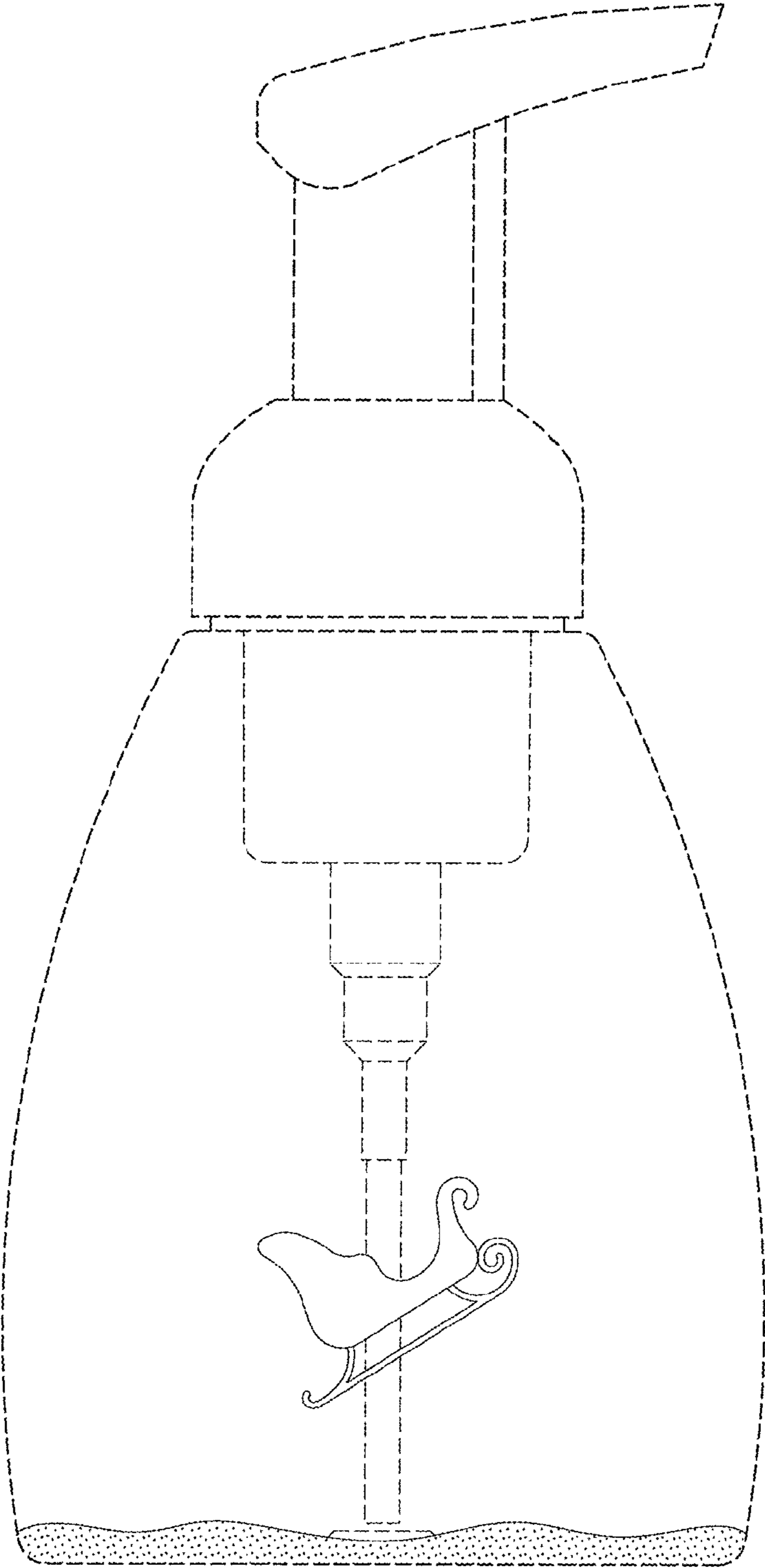


FIG. 1

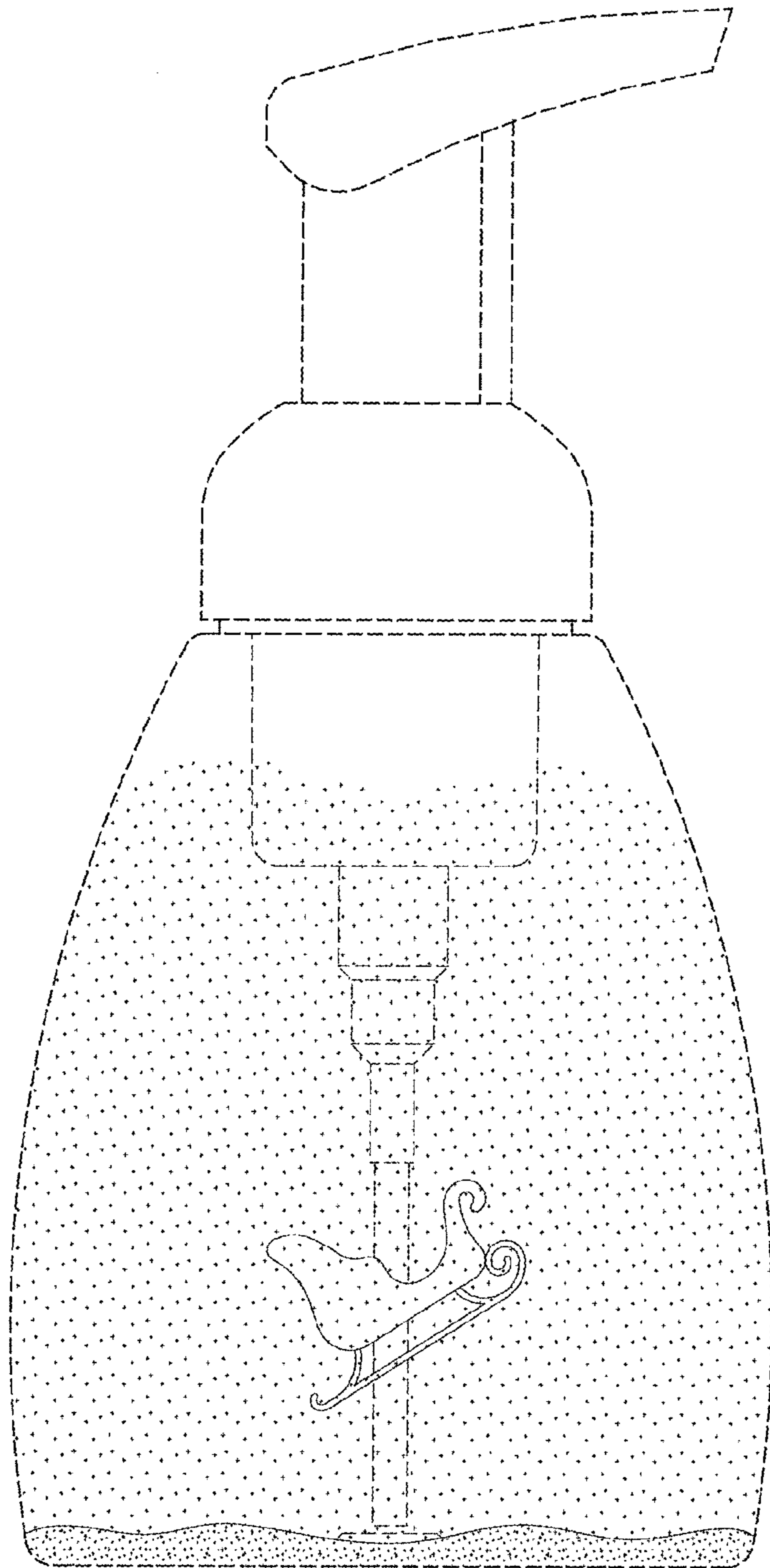


FIG. 2