



US00D768001S

(12) **United States Design Patent**
Fernandez, II et al.

(10) **Patent No.:** **US D768,001 S**
(45) **Date of Patent:** **** Oct. 4, 2016**

- (54) **SNOW GLOBE SOAP BOTTLE**
- (71) Applicant: **The Dial Corporation**, Scottsdale, AZ (US)
- (72) Inventors: **James A. Fernandez, II**, Chandler, AZ (US); **Isil Kayiran**, Seattle, WA (US); **Mary J. Conway**, Phoenix, AZ (US)
- (73) Assignee: **The Dial Corporation**, Scottsdale, AZ (US)
- (**) Term: **14 Years**
- (21) Appl. No.: **29/522,772**
- (22) Filed: **Apr. 2, 2015**
- (51) **LOC (10) Cl.** **09-01**
- (52) **U.S. Cl.**
USPC **D9/659; D9/434; D9/600**
- (58) **Field of Classification Search**
USPC D9/600, 655-660, 682, 688-689, D9/500-505, 516, 434, 448, 499; 206/457, 206/494, 459.5, 527, 540; 229/116.1; 446/77; 215/381-384, 400; D3/270-271.3; 222/78, 92; 383/66, 88, 383/101, 123; 220/260, 890; D11/81, 84, D11/117-118, 121, 125; D7/514-517, D7/519-520, 300.2
CPC B65D 67/00; B65D 81/36; B65D 81/60; B65D 81/368; B65D 2203/00; B65D 2203/02; B65D 33/00; B65D 33/04; A63H 33/16; B05B 11/00; B05B 11/0005; B05B 15/007
See application file for complete search history.

D422,212 S *	4/2000	Zaksenberg	D9/434
D422,910 S *	4/2000	Zaksenberg	D9/434
6,065,640 A *	5/2000	Ho	B05B 11/0005 222/78
D432,419 S *	10/2000	Zaksenberg	D9/434
D432,420 S *	10/2000	Zaksenberg	D9/434
D436,037 S *	1/2001	Zaksenberg	D9/434
D451,803 S *	12/2001	Zaksenberg	D9/434
6,345,731 B2 *	2/2002	Bitton	222/78
D459,210 S *	6/2002	McGuinness	D9/689
D475,293 S *	6/2003	Abrams	D9/441
6,620,017 B1 *	9/2003	Bitton	B05B 15/007 446/15
D486,754 S *	2/2004	Shiratori	D11/118
6,729,500 B1 *	5/2004	Dobbs	B05B 15/007 222/78
D528,037 S *	9/2006	Steiger	D11/118
D547,655 S *	7/2007	van der Heijden	D9/434
D636,668 S *	4/2011	Maddy	D9/434
7,954,669 B2 *	6/2011	VanGordon	B05B 15/007 222/78
D646,168 S *	10/2011	Jansen	D9/500
D718,627 S *	12/2014	Rasgon	D9/436

* cited by examiner

Primary Examiner — Sandra Morris
(74) *Attorney, Agent, or Firm* — David K. Benson

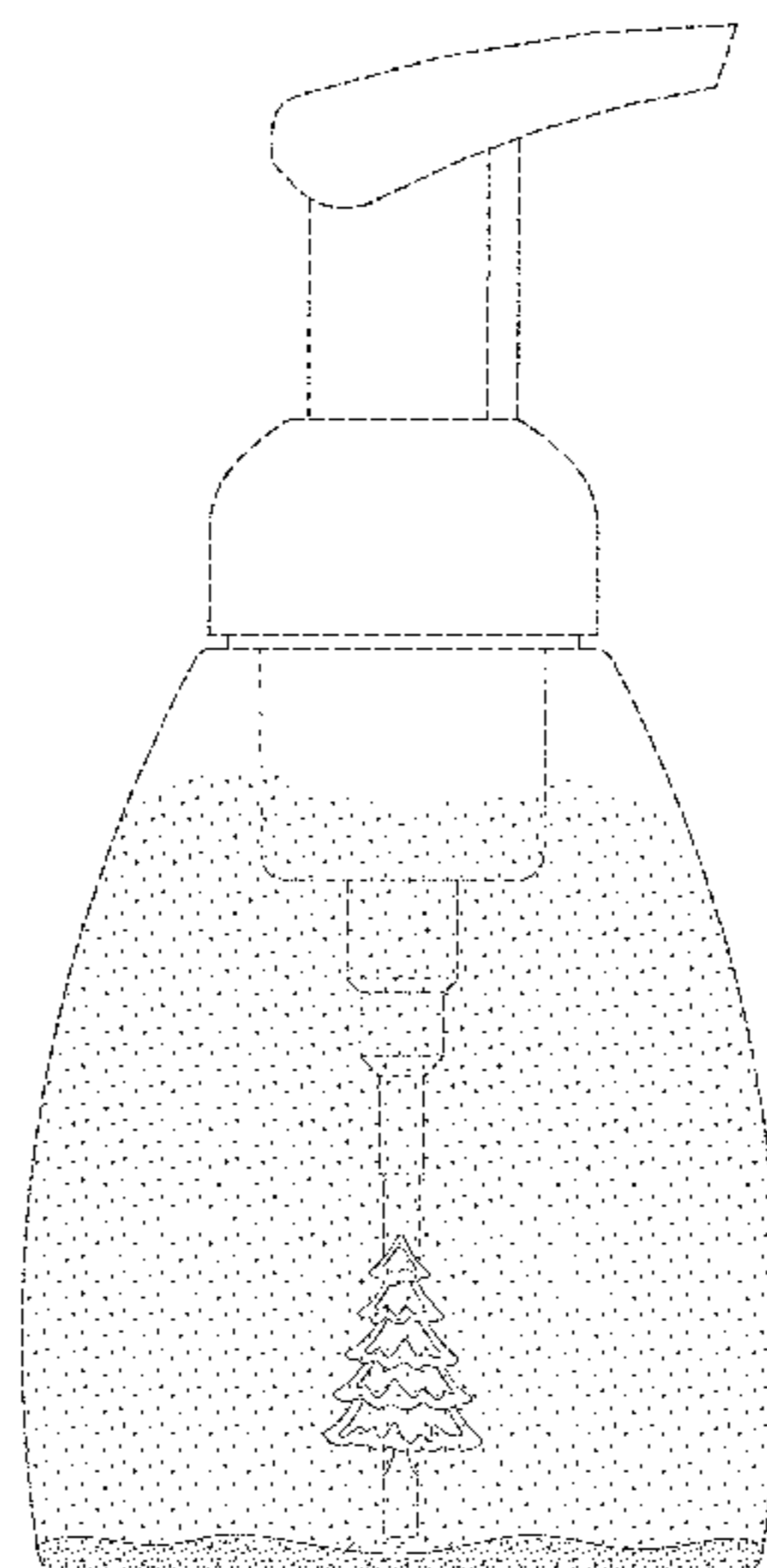
(57) **CLAIM**
The ornamental design for a snow globe soap bottle, as shown and described.

DESCRIPTION

FIG. 1 is a front side elevation view of a snow globe soap bottle with a Christmas tree embodying our new design in which the particles are settled; and, FIG. 2 is a front side elevation view thereof in which the particles are suspended some time after agitation, in which the particles partially obscure the Christmas tree. There are no top, bottom, left, right, or rear elevational views, as the ornamental features of the design are either not claimed or not seen from those perspectives.

1 Claim, 2 Drawing Sheets

- (56) **References Cited**
U.S. PATENT DOCUMENTS
D237,733 S * 11/1975 Roberts D11/125
5,915,600 A * 6/1999 Bitton B05B 11/0005
222/78



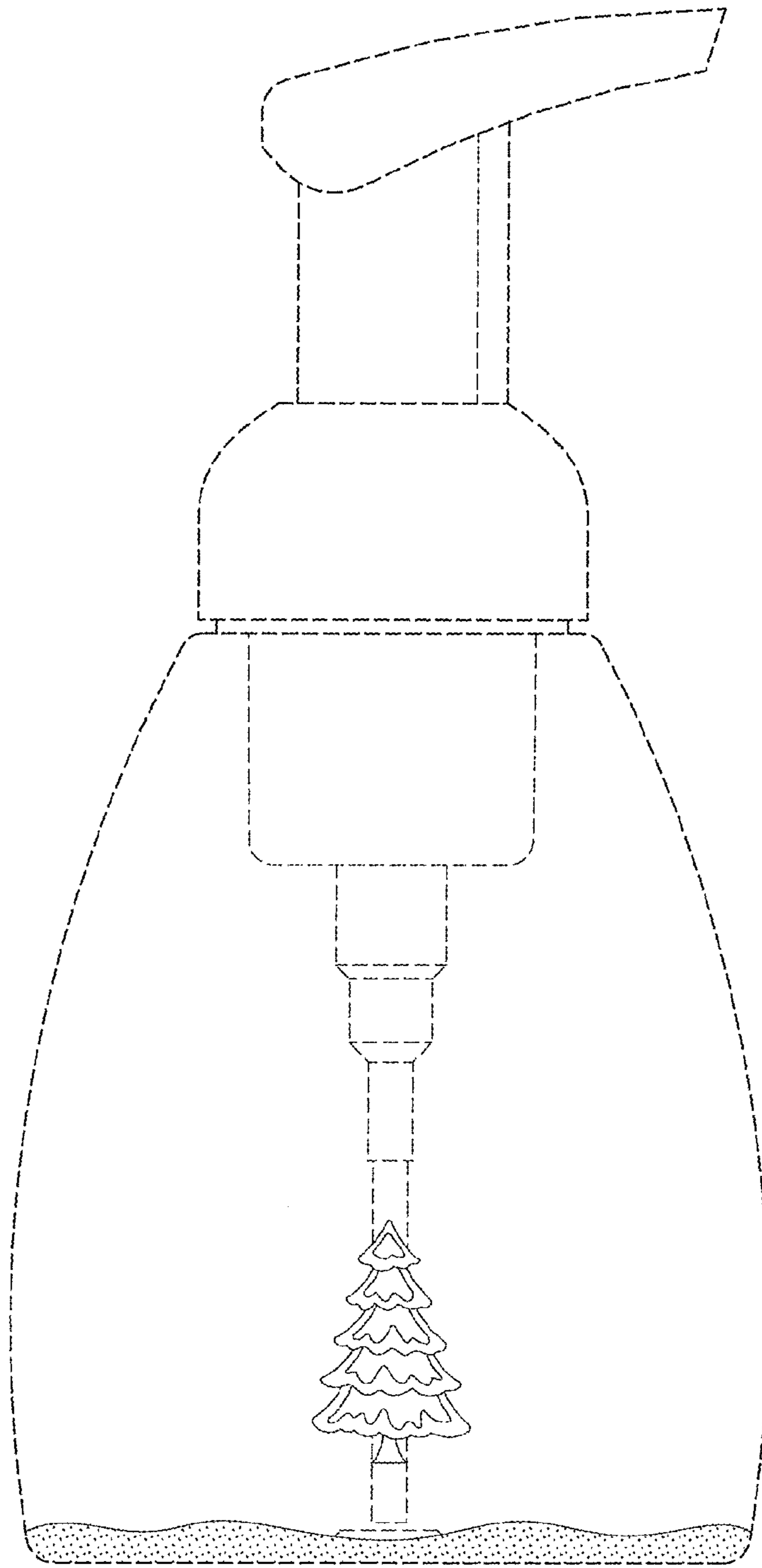


FIG. 1

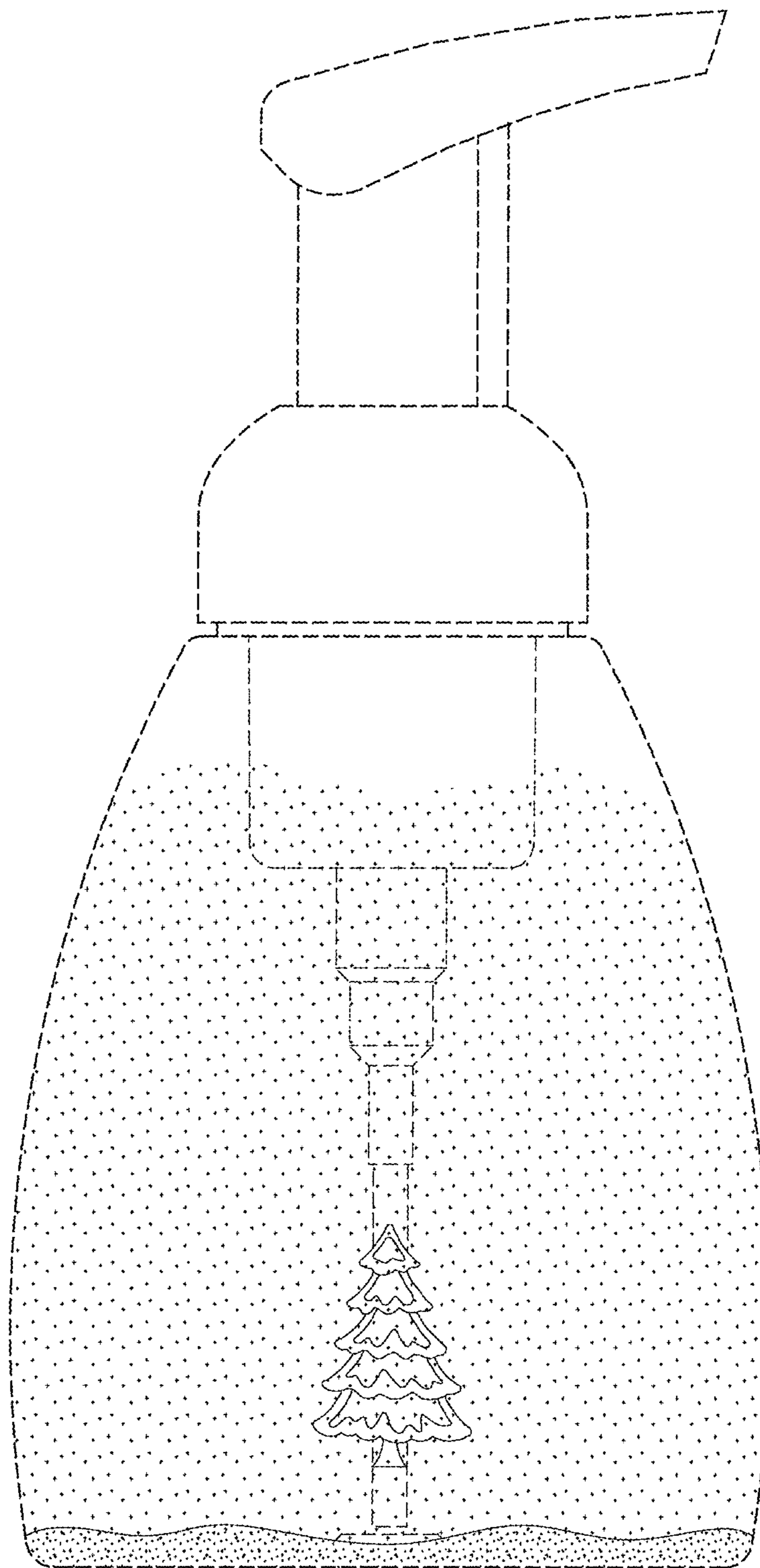


FIG. 2