



US00D767999S

(12) **United States Design Patent**
Yourist et al.

(10) **Patent No.: US D767,999 S**

(45) **Date of Patent: ** Oct. 4, 2016**

(54) **APPLE-SHAPED GRIP FOR A CONTAINER**

(56) **References Cited**

(71) Applicant: **Graham Packaging Company, L.P.**,
York, PA (US)

U.S. PATENT DOCUMENTS

(72) Inventors: **Sheldon E. Yourist**, York, PA (US);
Seung Hong, Lancaster, PA (US)

D195,062 S *	4/1963	Lynd	D9/645
D385,778 S *	11/1997	Luh	D9/645
D388,697 S *	1/1998	Luh	D9/645
D399,734 S *	10/1998	Luh	D9/645
D510,034 S *	9/2005	Hong	D9/540
D657,679 S *	4/2012	Boiros	D9/516

(73) Assignee: **GRAHAM PACKAGING COMPANY, L.P.**, York, PA (US)

* cited by examiner

(**) Term: **14 Years**

Primary Examiner — Sandra Morris

(21) Appl. No.: **29/524,420**

(74) *Attorney, Agent, or Firm* — Baker Botts L.L.P.

(22) Filed: **Apr. 20, 2015**

(57) **CLAIM**

The ornamental design for an apple-shaped grip for a container, as shown and described.

(51) **LOC (10) Cl.** **09-01**

DESCRIPTION

(52) **U.S. Cl.**
USPC **D9/645; D9/516**

(58) **Field of Classification Search**
USPC D9/600, 643–647, 669, 500–505, 516,
D9/530, 537–545, 549–558; 206/457, 494,
206/459.5, 527, 540; 229/116.1; 446/77;
215/381–384, 400; D7/514–516, 539,
D7/544, 571, 579, 604, 613, 619.2,
D7/628–630, 391–392.1; D3/270–271.3
CPC B65D 67/00; B65D 81/36; B65D 81/60;
B65D 81/368; B65D 2203/00; B65D
2203/02; A63H 33/16

FIG. 1 is a perspective view of an embodiment of our design for an apple-shaped grip for a container.

FIG. 2 is a front view of the grip of FIG. 1.

FIG. 3 is a rear view of the grip of FIG. 1.

FIG. 4 is a left side view of the grip of FIG. 1.

FIG. 5 is a right side view of the grip of FIG. 1.

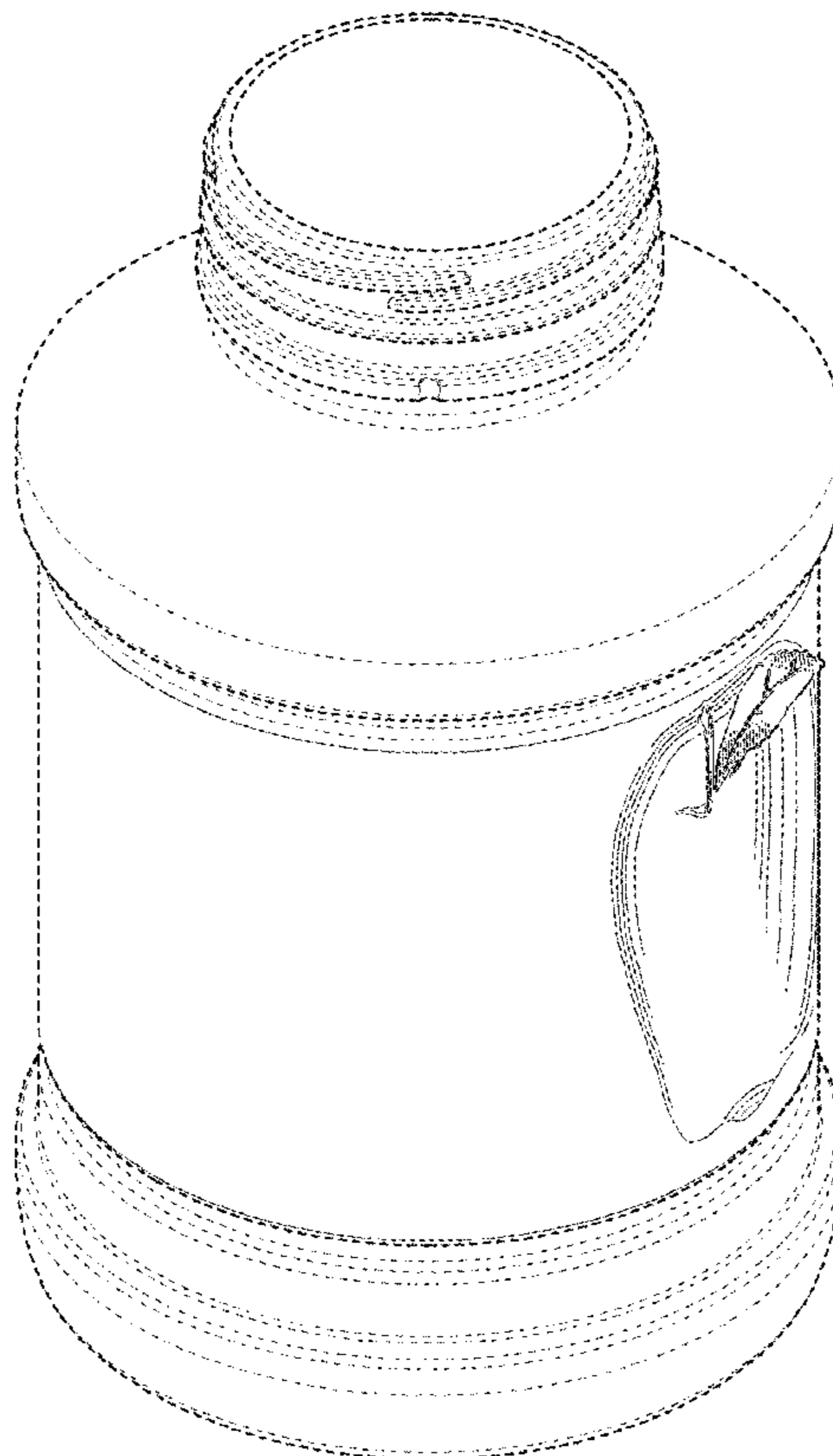
FIG. 6 is a top view of the grip of FIG. 1; and,

FIG. 7 is a bottom view of the grip of FIG. 1.

The broken lines shown throughout these figures depict environmental subject matter only and form no part of the claimed design.

See application file for complete search history.

1 Claim, 7 Drawing Sheets



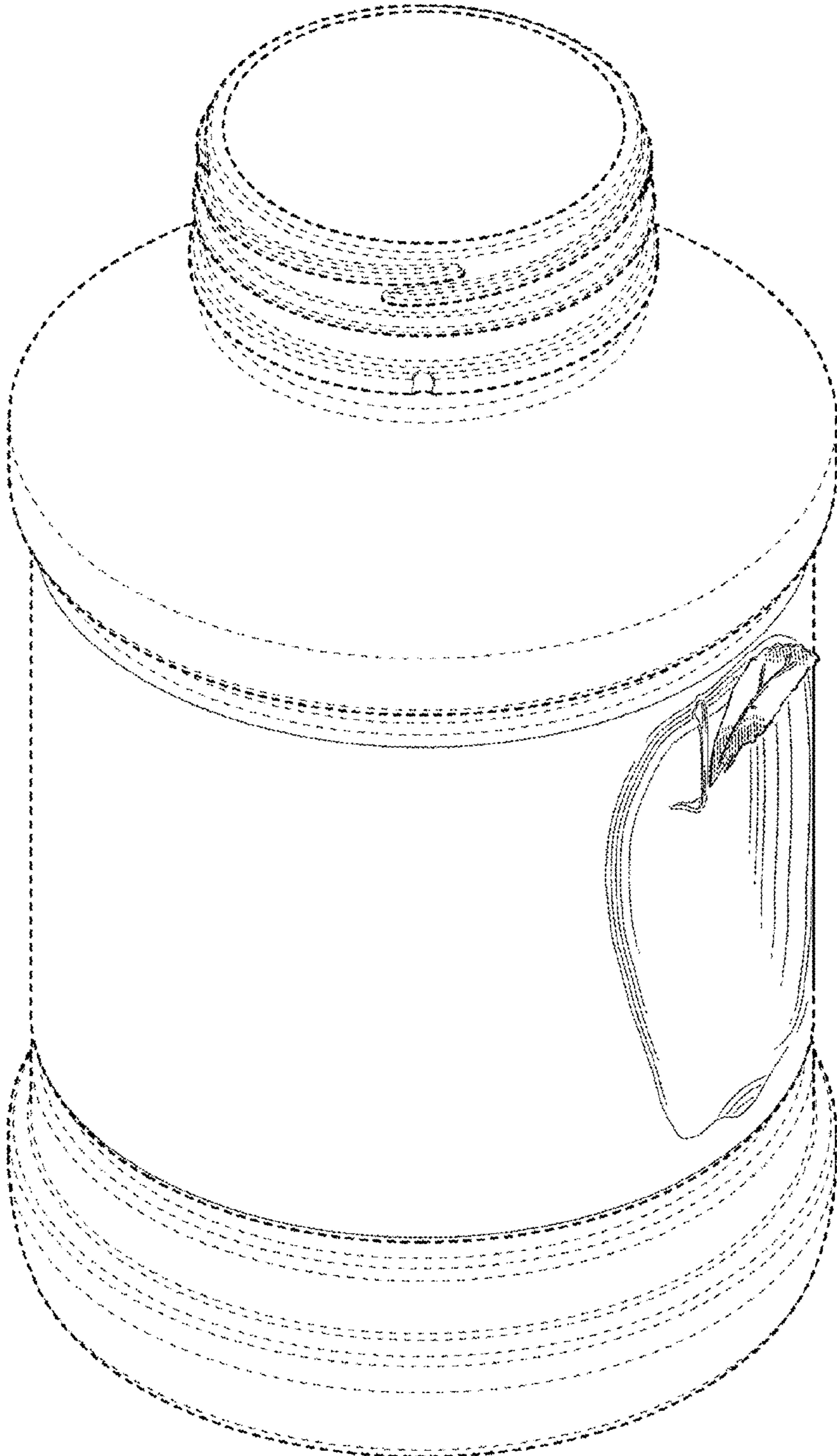


FIG. 1

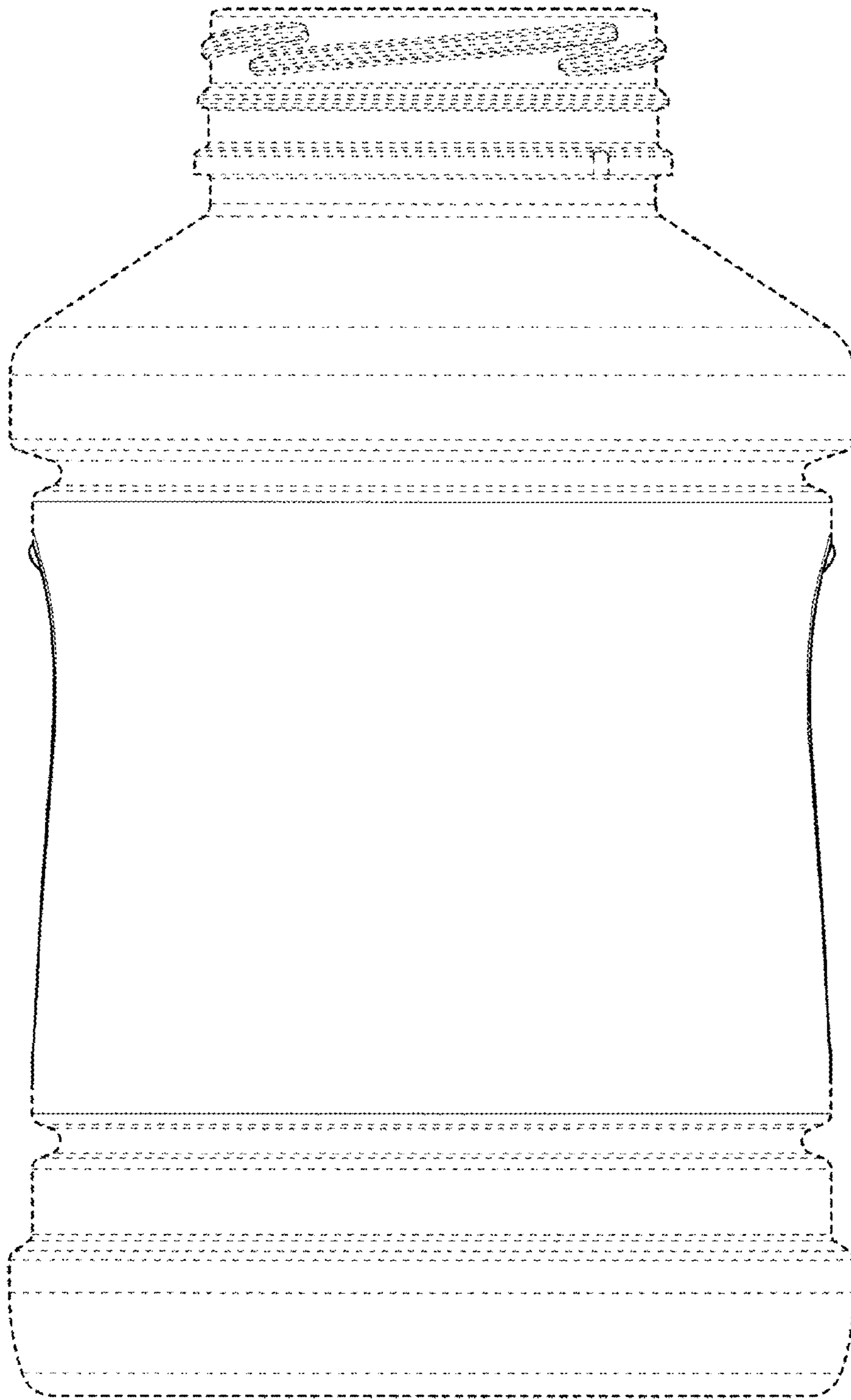


FIG. 2

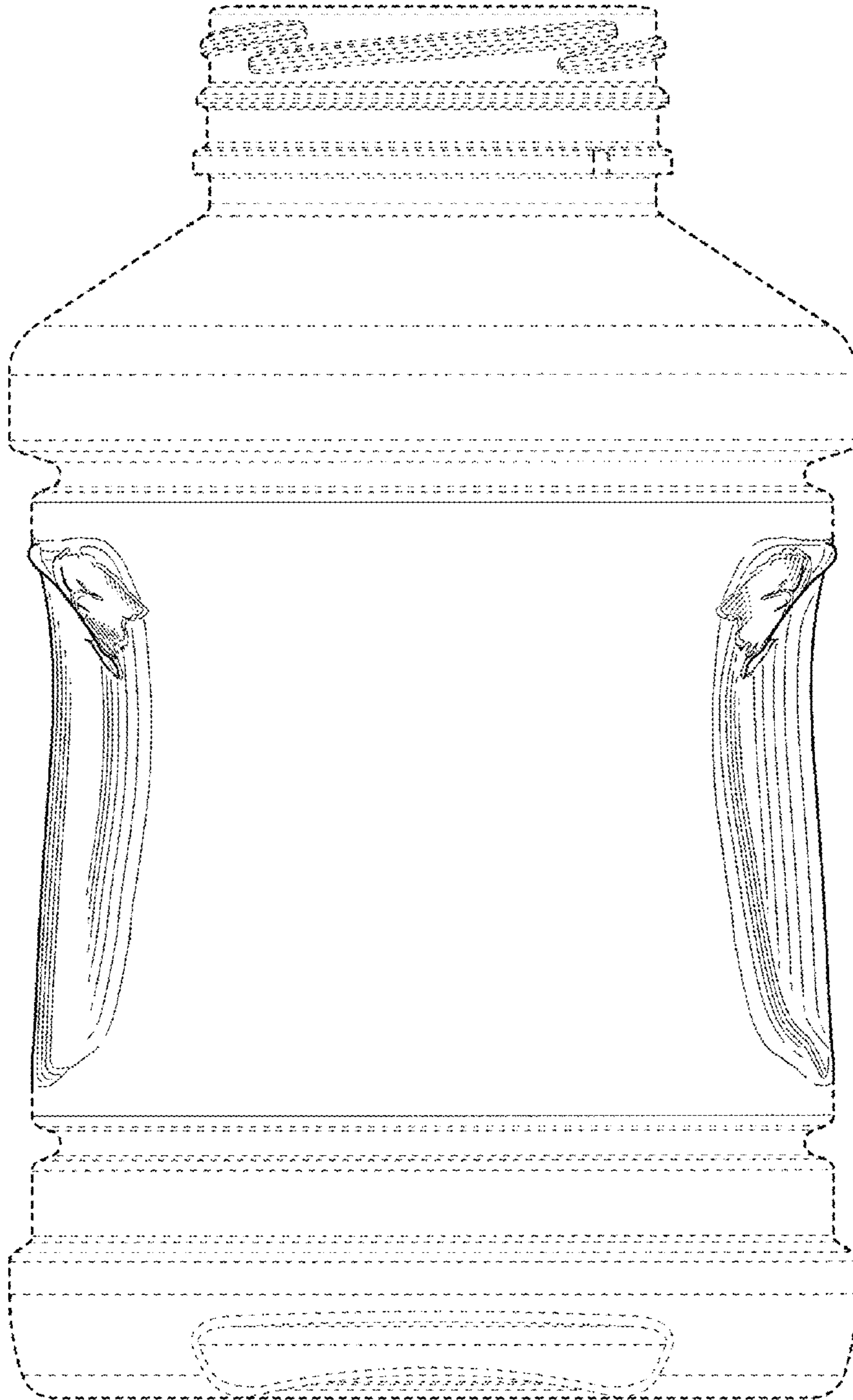


FIG. 3

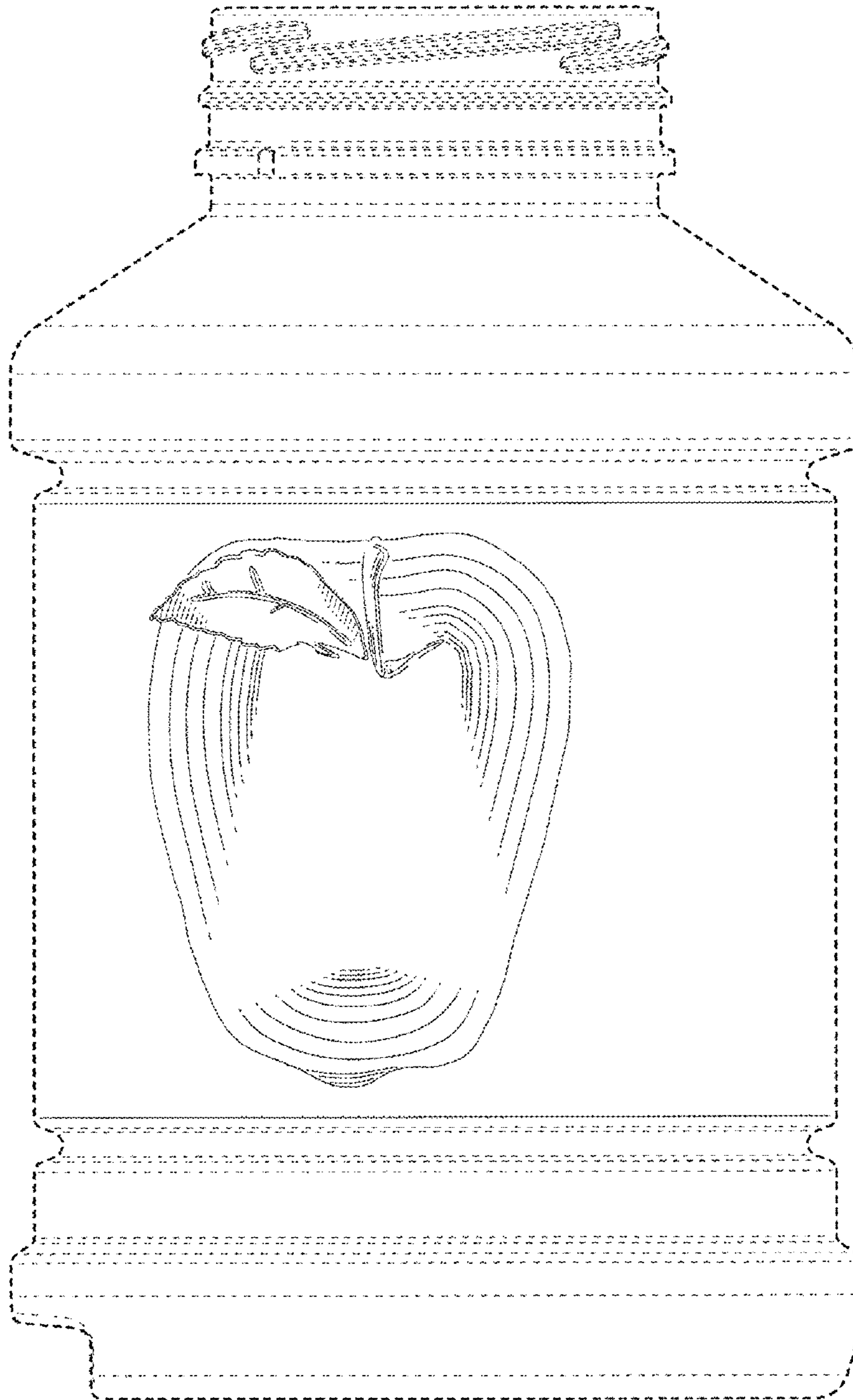


FIG. 4

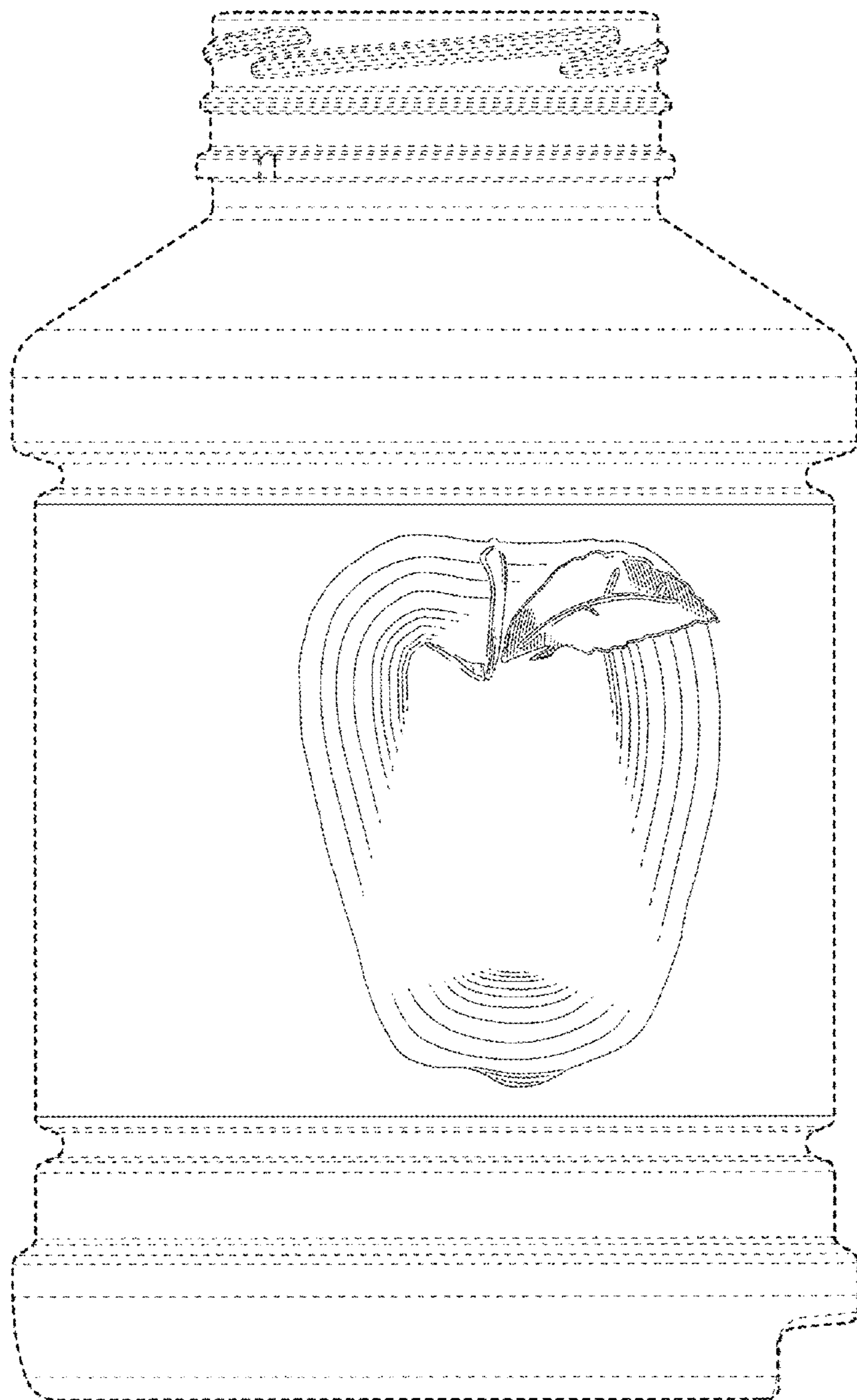


FIG. 5

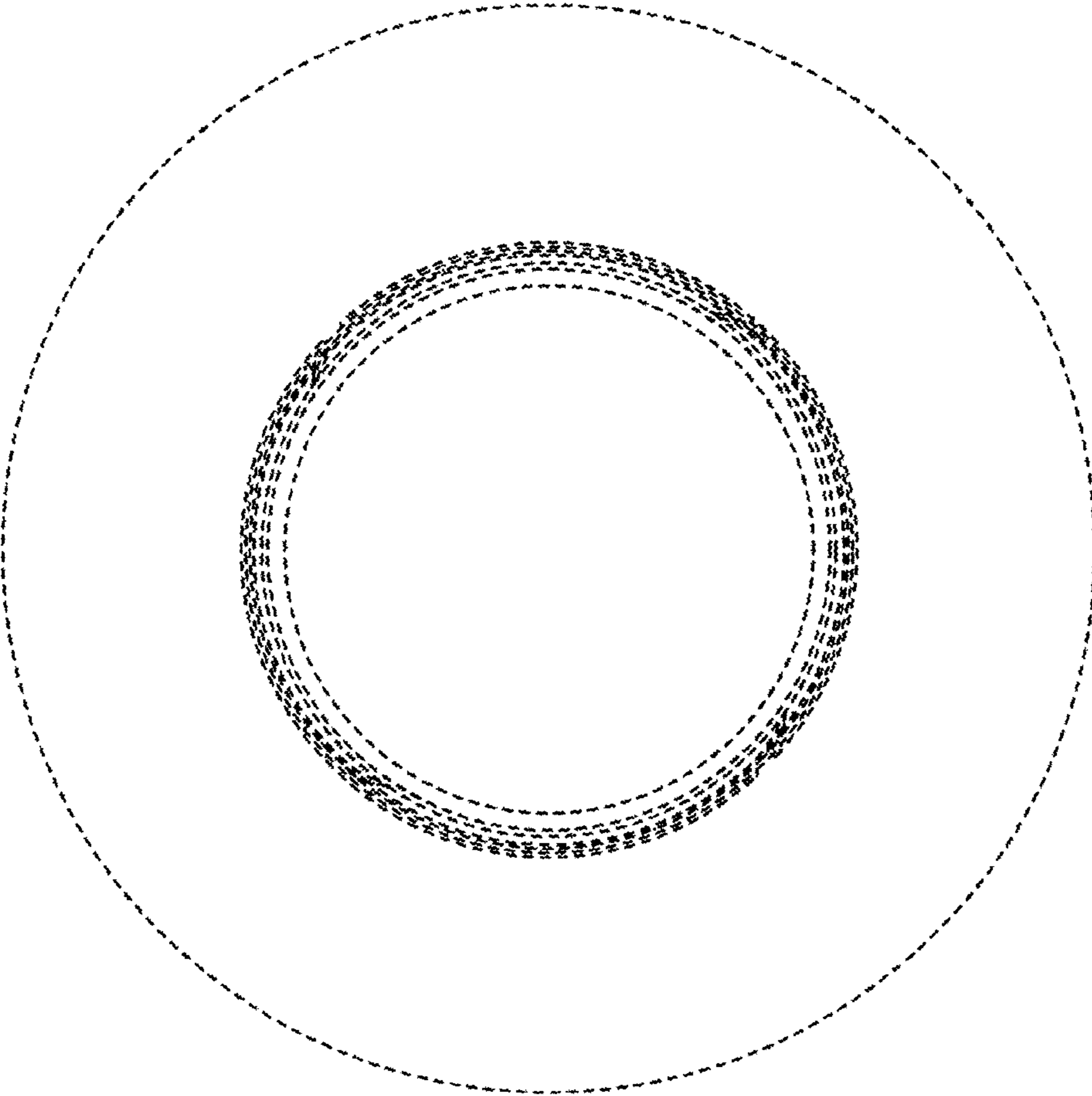


FIG. 6

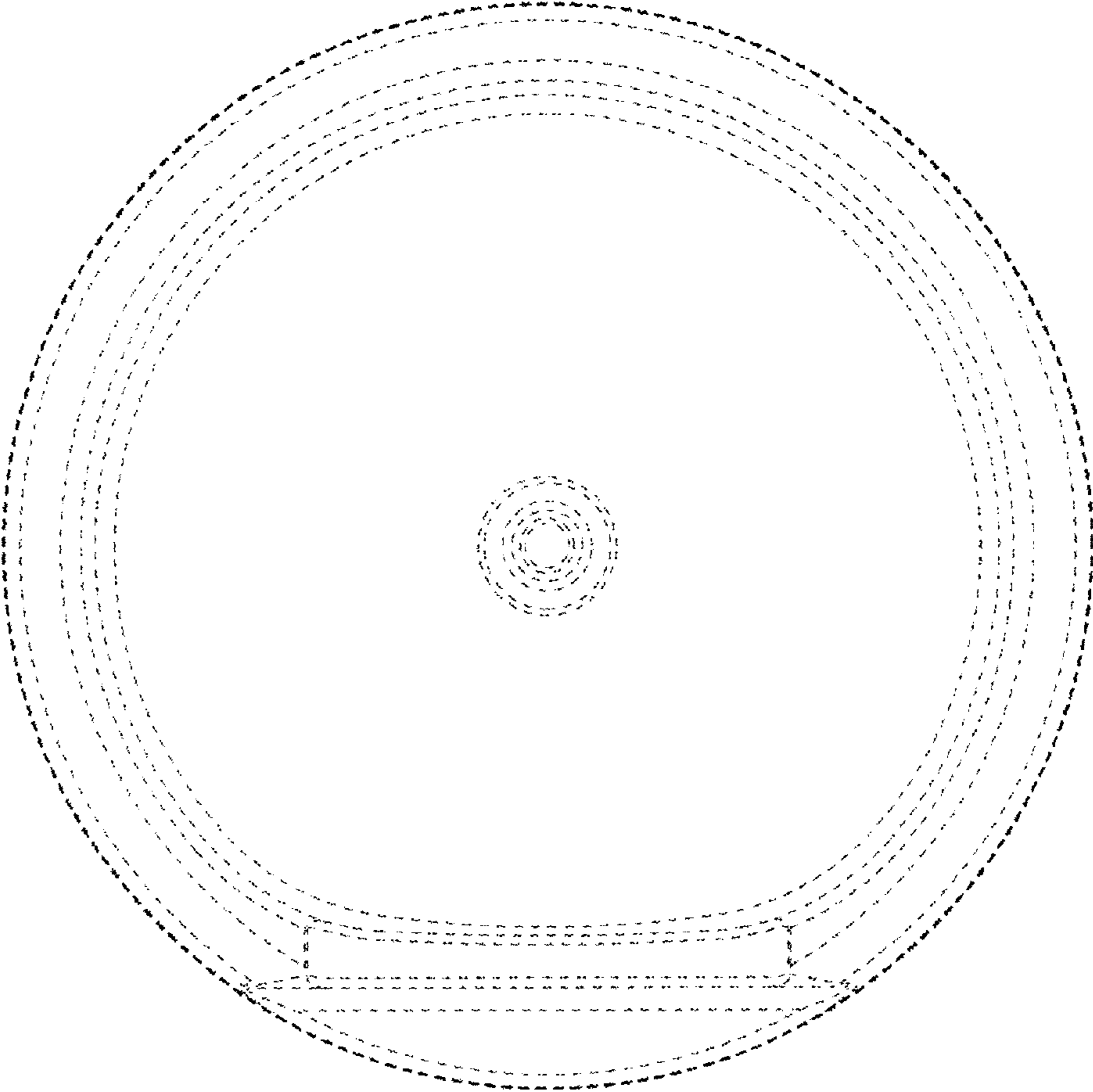


FIG. 7