



US00D767995S

(12) **United States Design Patent** (10) **Patent No.:** **US D767,995 S**  
**Fernandez, II et al.** (45) **Date of Patent:** **\*\* Oct. 4, 2016**

(54) **SNOW GLOBE SOAP BOTTLE**  
(71) Applicant: **The Dial Corporation**, Scottsdale, AZ (US)  
(72) Inventors: **James A. Fernandez, II**, Chandler, AZ (US); **Isil Kayiran**, Seattle, WA (US); **Mary J. Conway**, Phoenix, AZ (US)  
(73) Assignee: **The Dial Corporation**, Scottsdale, AZ (US)  
(\*\*) Term: **14 Years**  
(21) Appl. No.: **29/522,779**  
(22) Filed: **Apr. 2, 2015**  
(51) **LOC (10) Cl.** ..... **09-01**  
(52) **U.S. Cl.**  
USPC ..... **D9/600; D9/434**  
(58) **Field of Classification Search**  
USPC ..... D9/600, 643, 682, 688-689, 500-505, D9/516, 434, 448, 499; 206/457, 494, 206/459.5, 527, 540; 229/116.1; 446/77; 215/381-384, 400; D3/270-271.3; 222/78, 92; 383/66, 88, 101, 123; 220/260, 890; D11/81, 84, 117-118, D11/121, 125; D7/514-517, 519-520, D7/300.2  
CPC ..... B65D 67/00; B65D 81/36; B65D 81/60; B65D 81/368; B65D 2203/00; B65D 2203/02; B65D 33/00; B65D 33/04; A63H 33/16; B05B 11/00; B05B 11/0005; B05B 15/007  
See application file for complete search history.

6,345,731 B2 \* 2/2002 Bitton ..... 222/78  
D459,210 S \* 6/2002 McGuinness ..... D9/549  
D464,159 S \* 10/2002 Peloquin ..... D11/117  
6,620,017 B1 \* 9/2003 Bitton ..... B05B 15/007  
446/15  
6,729,500 B1 \* 5/2004 Dobbs ..... B05B 15/007  
222/78  
D509,041 S \* 9/2005 Larkin ..... D9/643  
D547,655 S \* 7/2007 van der Heijden ..... D9/434  
D636,668 S \* 4/2011 Maddy ..... D9/434  
7,954,669 B2 \* 6/2011 VanGordon ..... B05B 15/007  
222/78  
D640,952 S \* 7/2011 Rasmussen ..... D11/125  
D646,168 S \* 10/2011 Jansen ..... D9/500  
D708,689 S \* 7/2014 Cheung ..... D21/803  
D718,627 S \* 12/2014 Rasgon ..... D9/436

\* cited by examiner

*Primary Examiner* — Sandra Morris

(74) *Attorney, Agent, or Firm* — David K. Benson

(57) **CLAIM**

The ornamental design for a snow globe soap bottle, as shown and described.

**DESCRIPTION**

The patent or application file contains at least one drawing executed in color. Copies of this patent or patent application publication with color drawing(s) will be provided by the Office upon request and payment of the necessary fee.

FIG. 1 is a front side elevation view of a snow globe soap bottle with a striped tube embodying our new design in which the particles are settled; and,

FIG. 2 is a front side elevation view thereof in which the particles are suspended some time after agitation, in which the particles partially obscure the striped tube.

There are no top, bottom, left, right, or rear elevational views, as the ornamental features of the design are either not claimed or not seen from those perspectives.

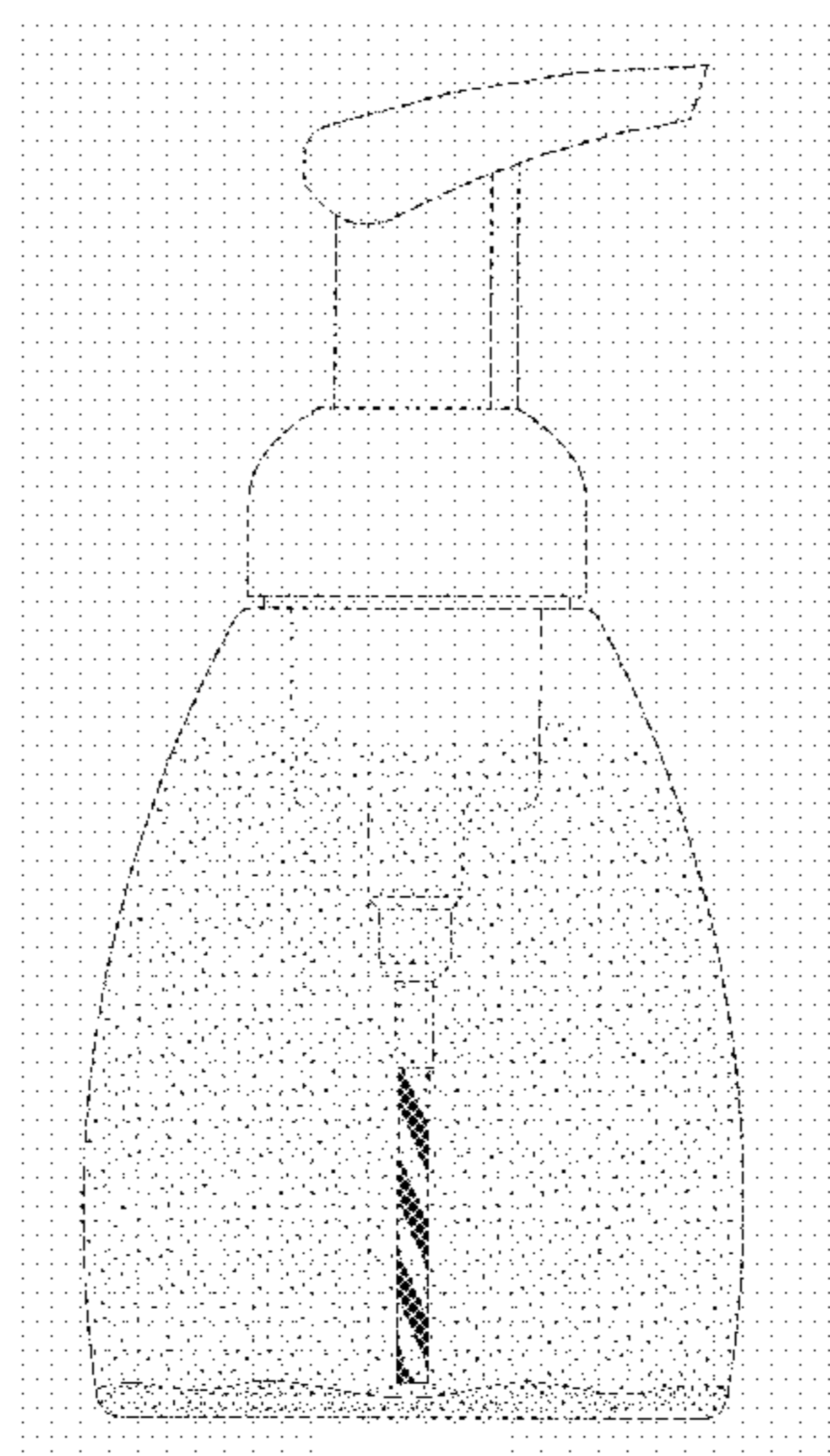
The broken line showing is for illustrative purposes only, and forms no part of the claimed design.

**1 Claim, 2 Drawing Sheets**  
**(2 of 2 Drawing Sheet(s) Filed in Color)**

(56) **References Cited**

U.S. PATENT DOCUMENTS

5,915,600 A \* 6/1999 Bitton ..... B05B 11/0005  
222/78  
D422,212 S \* 4/2000 Zaksenberg ..... D9/434  
D422,910 S \* 4/2000 Zaksenberg ..... D9/434  
D427,477 S \* 7/2000 Pope ..... D7/300.2  
D432,419 S \* 10/2000 Zaksenberg ..... D9/434  
D432,420 S \* 10/2000 Zaksenberg ..... D9/434  
D436,037 S \* 1/2001 Zaksenberg ..... D9/434  
D451,803 S \* 12/2001 Zaksenberg ..... D9/434



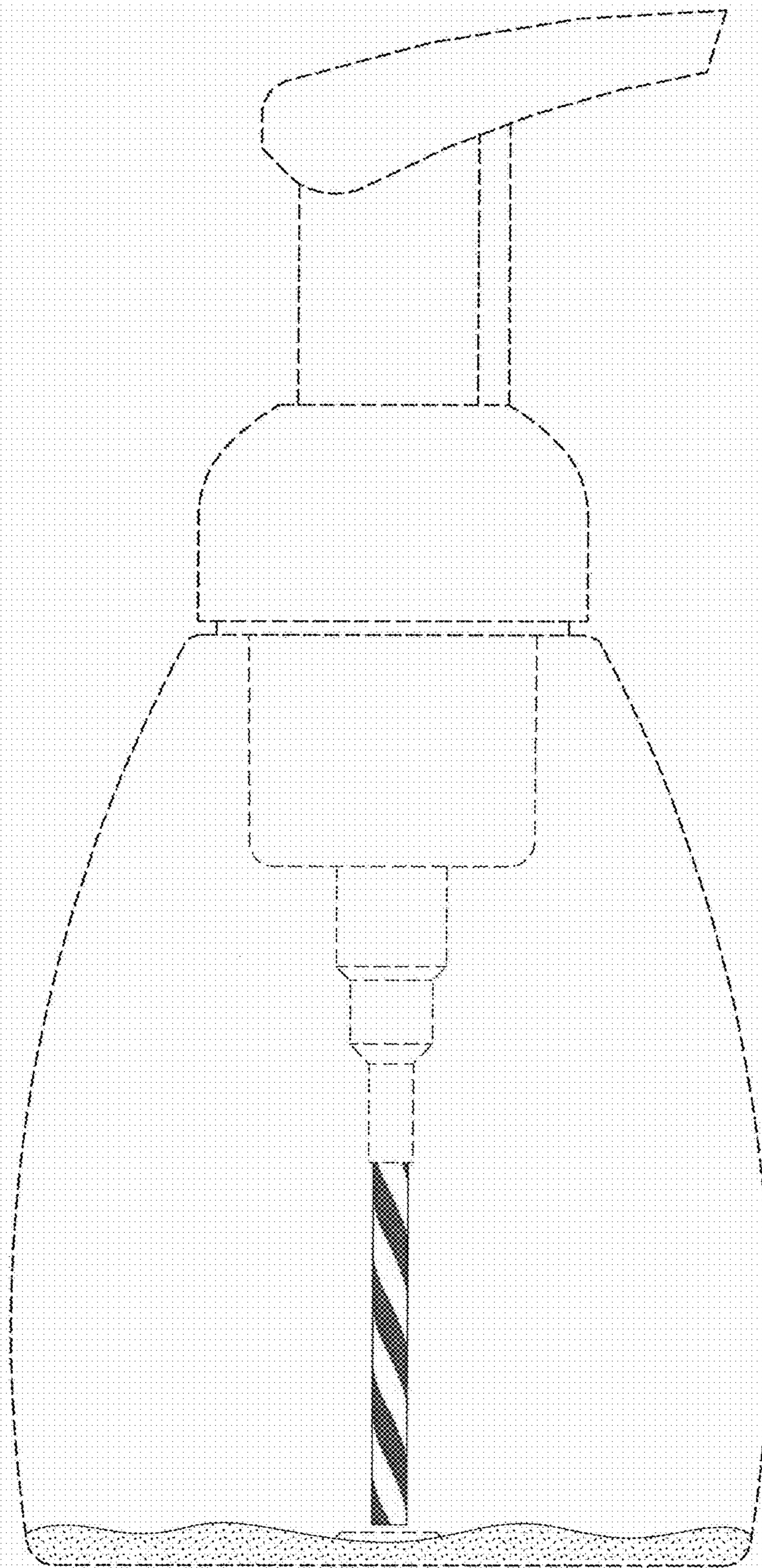


FIG. 1

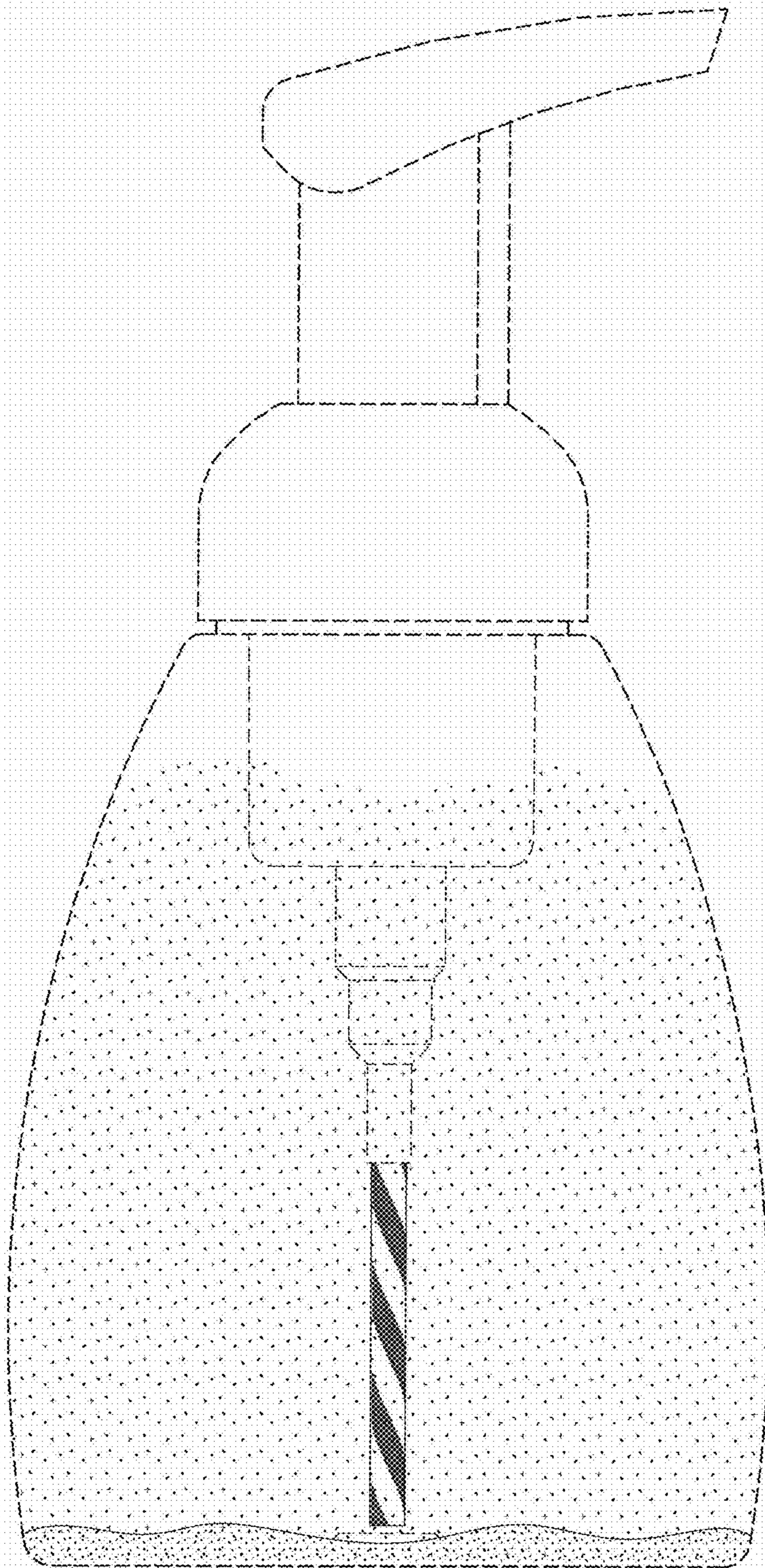


FIG. 2