



US00D767994S

(12) **United States Design Patent** (10) **Patent No.:** **US D767,994 S**  
**Goswell** (45) **Date of Patent:** **\*\* Oct. 4, 2016**

- (54) **NAIL VARNISH RECEPTACLE WITH CAP**
- (71) Applicant: **HCT Group Holdings Limited**, Santa Monica, CA (US)
- (72) Inventor: **Rebecca Louise Goswell**, Richmond (GB)
- (73) Assignee: **HCT Group Holdings Limited**, Santa Monica, CA (US)

- D241,120 S 8/1976 Dekker
- D253,396 S 11/1979 Hasegawa et al.
- D253,458 S 11/1979 Hasegawa et al.
- D253,459 S 11/1979 Hasegawa et al.
- D269,067 S \* 5/1983 Ballereaud ..... D9/560
- D280,135 S 8/1985 Cassai et al.
- D293,612 S 1/1988 Bulwik
- D293,944 S \* 1/1988 Trabattoni ..... D28/76
- D353,100 S \* 12/1994 Mandel ..... D9/542
- D353,101 S \* 12/1994 Desgrippes ..... D9/553

(Continued)

(\*\*) Term: **14 Years**

**OTHER PUBLICATIONS**

(21) Appl. No.: **29/457,584**

Non-Final Office Action for U.S. Appl. No. 29/457,552, mailed on Oct. 3, 2014, Goswell, "Hinged Cosmetic Receptacle," 4 pages.

(22) Filed: **Jun. 11, 2013**

(51) **LOC (10) Cl.** ..... **09-01**

(52) **U.S. Cl.**  
USPC ..... **D9/542**; D9/560; D9/564; D9/574

(58) **Field of Classification Search**  
USPC ..... D4/116, 114; D9/454, 530, 542, 551, D9/553, 560, 453, 500, 503-505, 529, D9/537-539, 544-545, 548-549, 558, D9/571-575, 682, 688, 690-691; D11/143, 155; D19/93; D21/707; 215/209, 400, 381-384, 396, 398; 401/129; D3/201, 205-206, 211, 270, D3/271.1, 273, 325; D28/76, 91.1; D99/35-37

CPC ..... A61J 1/03; A61J 1/05; B65D 1/02; B65D 1/0223; B65D 1/08; B65D 1/10; A47G 19/22; A47G 19/2205; A47G 19/2266  
See application file for complete search history.

*Primary Examiner* — Thomas Johannes  
*Assistant Examiner* — Catherine Posthauer  
(74) *Attorney, Agent, or Firm* — Seager, Tufte & Wickhem LLP

(57) **CLAIM**  
The ornamental design for a nail varnish receptacle with cap, as shown and described.

**DESCRIPTION**

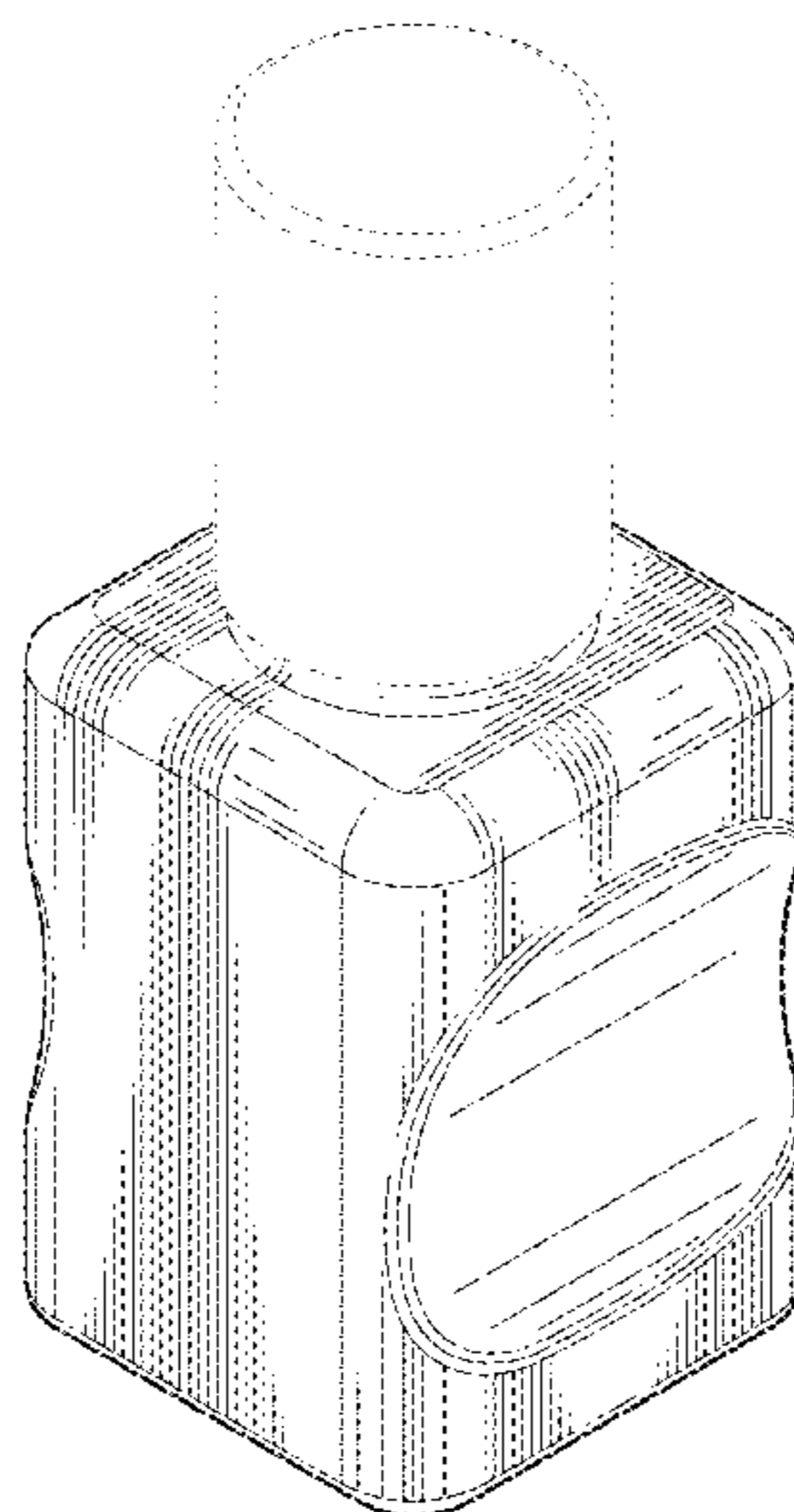
FIG. 1 is a perspective view of a nail varnish receptacle with cap;  
FIG. 2 is a front elevation view thereof, with the back elevation view being identical to the front elevation view;  
FIG. 3 is a left-side elevation view thereof, with the right-side elevation view being identical to the left-side elevation view;  
FIG. 4 is a top plan view thereof; and,  
FIG. 5 is a bottom plan view thereof.  
The evenly spaced broken lines are shown for the purposes of illustrating portions of the nail varnish receptacle with cap that form no part of the claimed design. The dot-dash broken lines of FIG. 5 illustrate the boundaries of the claimed design and form no part thereof.

(56) **References Cited**

**U.S. PATENT DOCUMENTS**

- D164,327 S 8/1951 Roehrich
- D197,192 S 12/1963 Lorenzen
- D215,083 S 9/1969 Carter
- D234,394 S 2/1975 Metzger
- D237,926 S 12/1975 Katzander

**1 Claim, 2 Drawing Sheets**



(56)

References Cited

U.S. PATENT DOCUMENTS

D373,730 S 9/1996 Baron  
 D386,972 S \* 12/1997 Stoecker ..... D9/542  
 D401,017 S 11/1998 Thorpe  
 D405,013 S \* 2/1999 Schaeffer ..... D9/523  
 D406,921 S 3/1999 Roeder  
 D424,115 S 5/2000 Kuboshima  
 D425,794 S \* 5/2000 Grossnickle ..... D9/520  
 6,059,474 A \* 5/2000 Huang ..... 401/129  
 D428,209 S 7/2000 Kudo et al.  
 D432,224 S 10/2000 Hautmann et al.  
 D432,724 S \* 10/2000 Gavin ..... D28/85  
 D442,868 S \* 5/2001 Gavin ..... D9/570  
 D460,545 S 7/2002 Hautmann et al.  
 D462,809 S 9/2002 LaSpina et al.  
 D463,262 S 9/2002 Gobe  
 D471,108 S \* 3/2003 Calderone, Jr. .... D9/520  
 D474,341 S 5/2003 Cantone et al.  
 D478,689 S 8/2003 Thorpe  
 D479,016 S 8/2003 Sgariboldi  
 D481,319 S \* 10/2003 Orsomando ..... D9/574  
 D482,284 S 11/2003 Cantone et al.  
 D487,703 S \* 3/2004 Orsomando ..... D9/574  
 D498,146 S \* 11/2004 Densky et al. .... D9/571  
 D498,422 S \* 11/2004 Theunynck ..... D9/550  
 6,923,589 B2 8/2005 Blackwell  
 D535,104 S \* 1/2007 Chen ..... D4/116

D539,481 S 3/2007 Lui  
 D551,987 S \* 10/2007 Kuethe et al. .... D9/560  
 D566,899 S 4/2008 De Baschmakoff  
 D576,354 S 9/2008 Dominski et al.  
 D576,770 S 9/2008 Mascotte et al.  
 D600,857 S 9/2009 Maddy et al.  
 D611,657 S 3/2010 Maddy et al.  
 D620,807 S 8/2010 Wang Treadway et al.  
 D634,977 S 3/2011 Mouquet  
 D637,910 S 5/2011 Yeung  
 D638,710 S 5/2011 Yeung  
 D656,824 S \* 4/2012 Haile ..... D9/503  
 D678,074 S \* 3/2013 De France ..... D9/560  
 D679,604 S \* 4/2013 Sung ..... D9/600  
 D685,637 S 7/2013 Colon et al.  
 D698,256 S \* 1/2014 Thompson ..... D9/560  
 D705,074 S \* 5/2014 Della Valle ..... D9/560  
 D705,663 S \* 5/2014 Guichot ..... D9/544  
 D714,157 S \* 9/2014 Albertini ..... D9/560  
 D715,653 S \* 10/2014 Lavigne et al. .... D9/529  
 D716,148 S \* 10/2014 DeMarco et al. .... D9/542  
 2004/0200755 A1 10/2004 Gueret  
 2007/0029226 A1 2/2007 Yuhara et al.  
 2010/0008074 A1 1/2010 Kang  
 2010/0288299 A1 11/2010 Won  
 2012/0136748 A1 5/2012 Shasteen et al.  
 2012/0282008 A1 11/2012 Geuther et al.  
 2013/0121748 A1 5/2013 Ramirez

\* cited by examiner

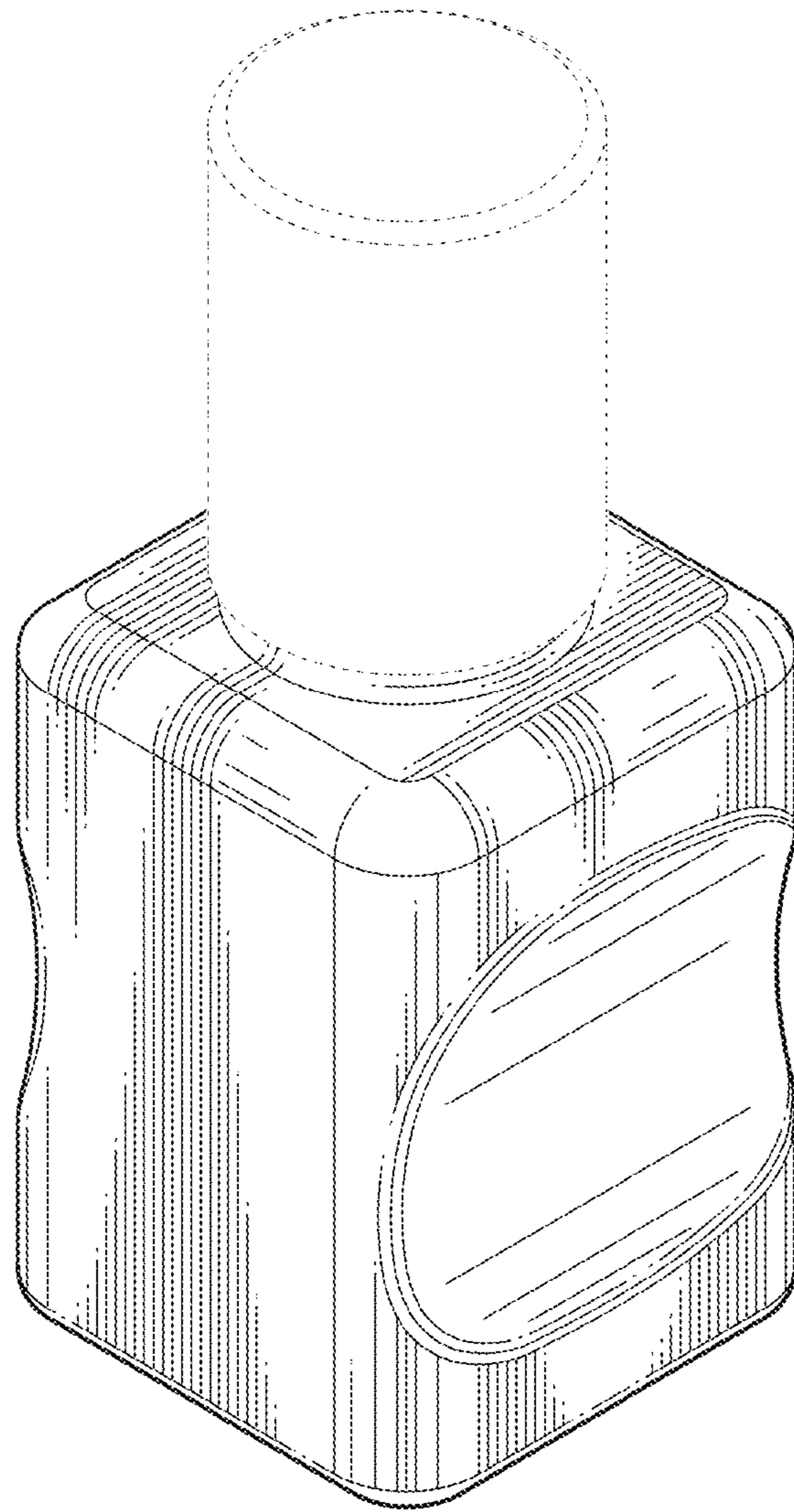


FIG. 1



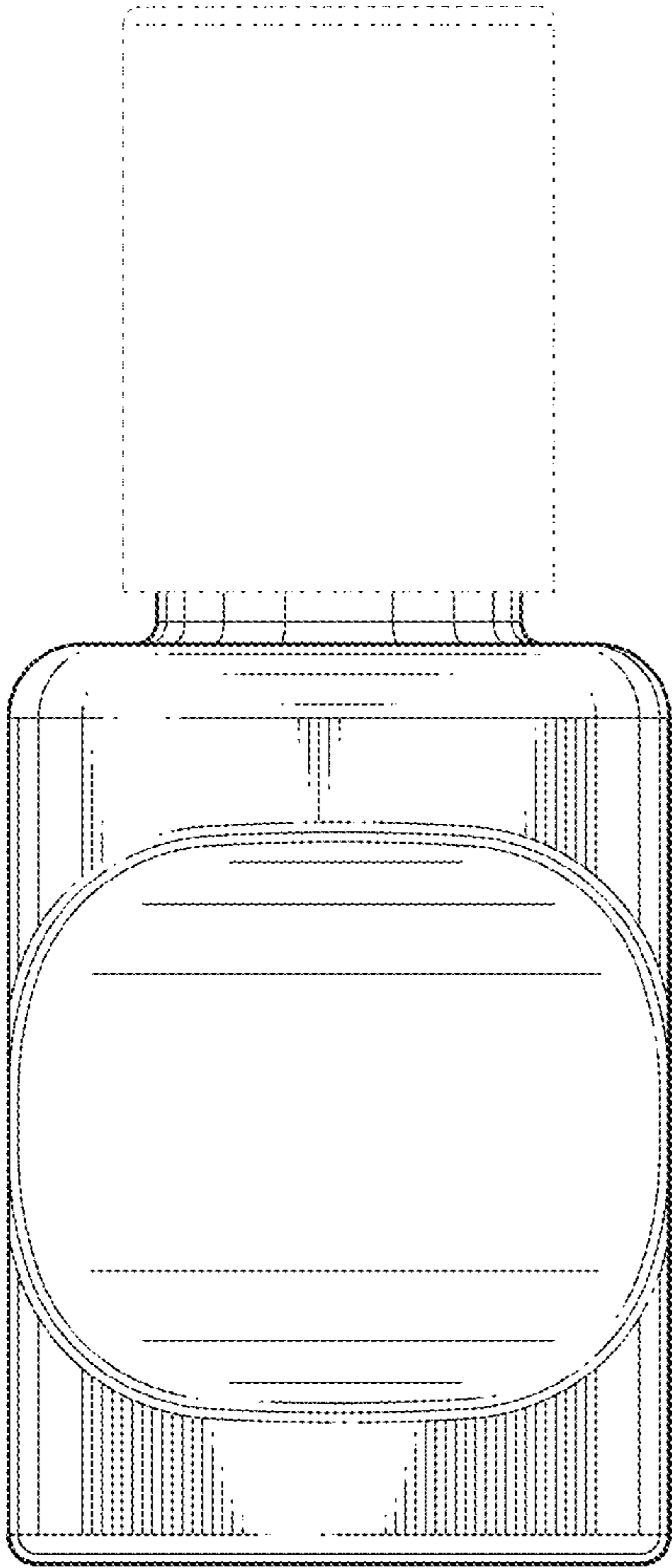


FIG. 2

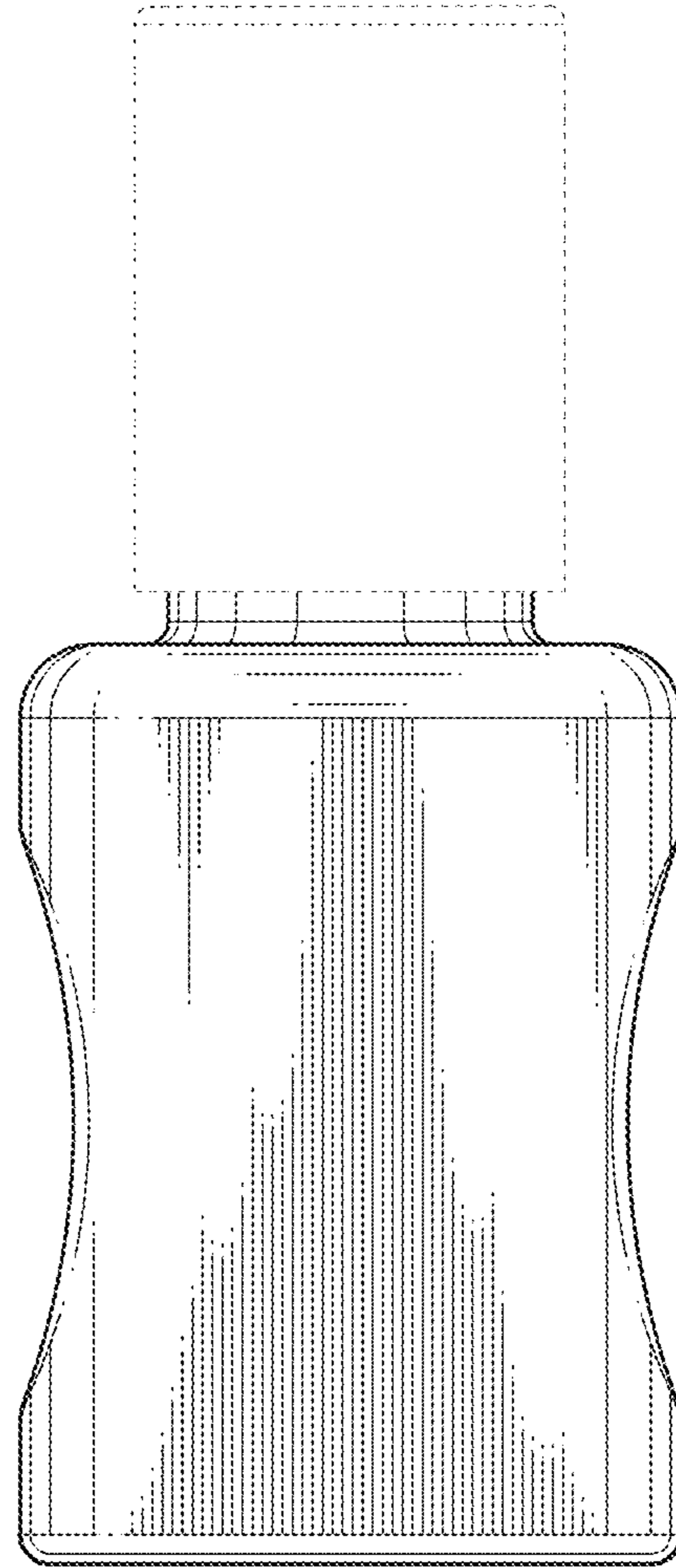


FIG. 3

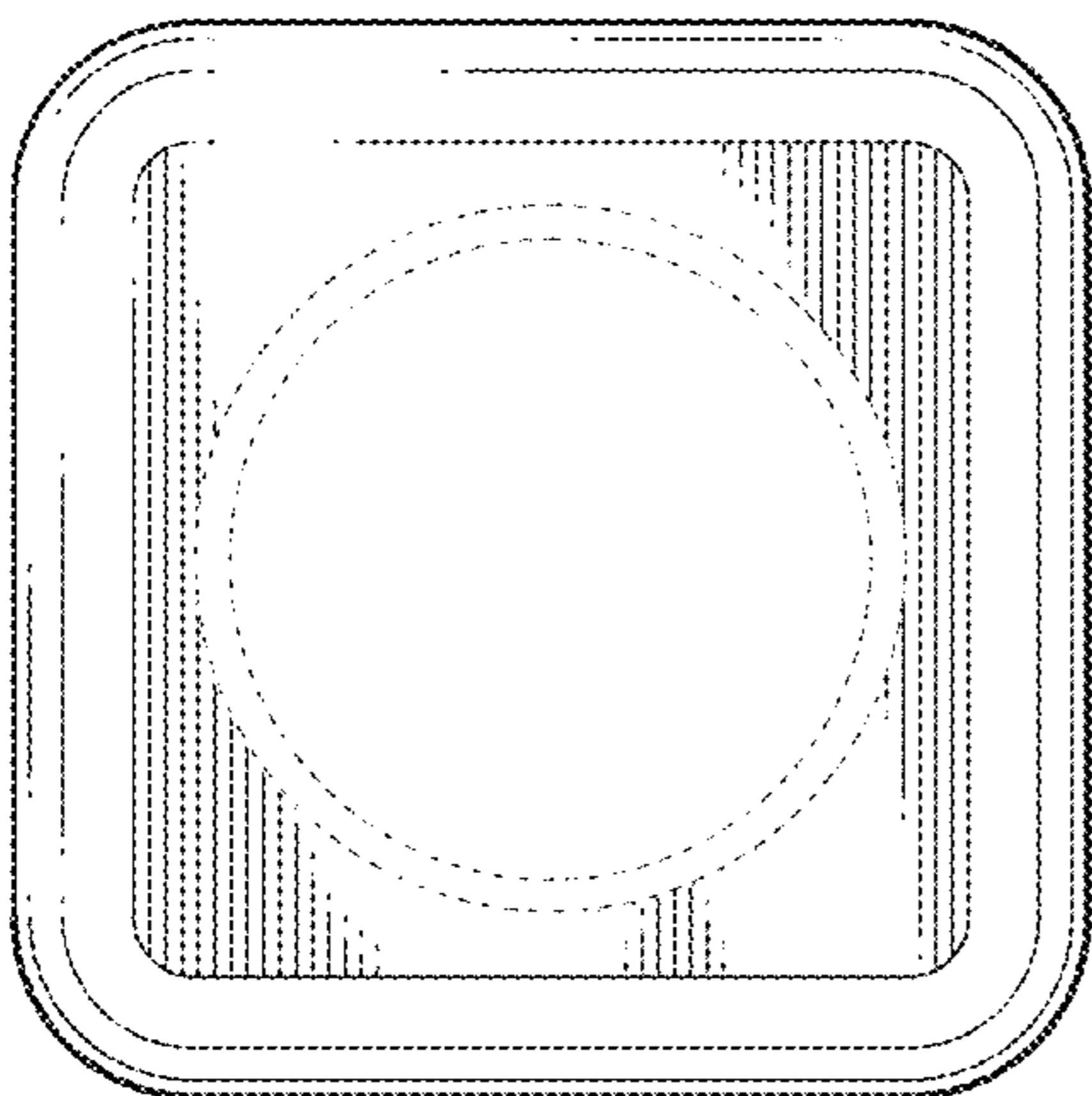


FIG. 4

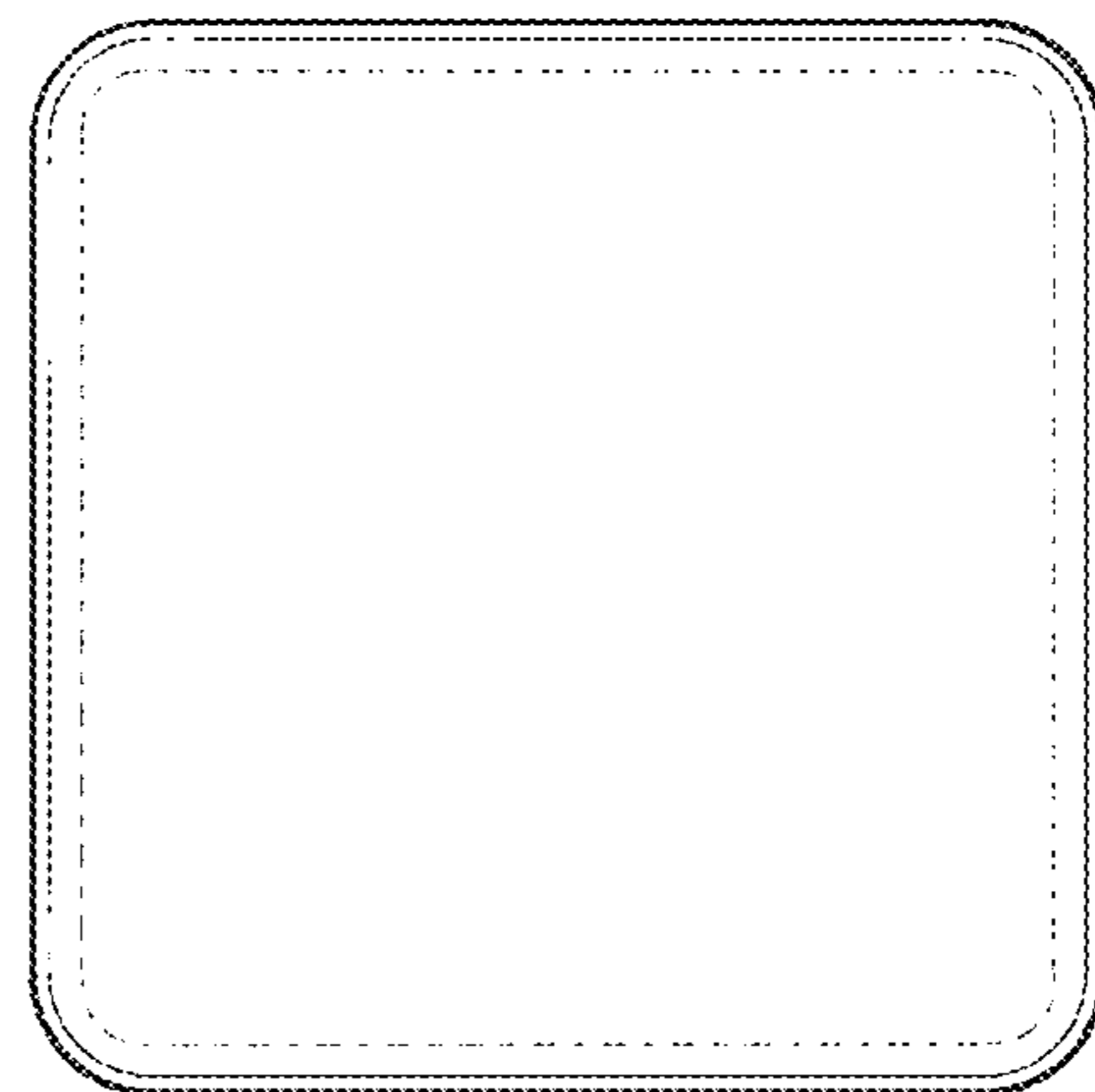


FIG. 5