



US00D767993S

(12) **United States Design Patent** (10) **Patent No.:** **US D767,993 S**
Joshi et al. (45) **Date of Patent:** **** Oct. 4, 2016**

(54) **BOTTLE**

(71) Applicant: **North American Coffee Partnership,**
Purchase, NY (US)

(72) Inventors: **Prasad Joshi,** Palatine, IL (US);
Dmitriy L. Shmagin, Brookfield, CT
(US); **Deborah D. Ladwig,** Seattle, WA
(US); **Michael Peck,** Seattle, WA (US);
Ivan Frank Harris, Ypsilanti, MI (US);
Damien Zev Moyal, Ypsilanti, MI (US)

(73) Assignee: **North American Coffee Partnership,**
Purchase, NY (US)

(**) Term: **14 Years**

(21) Appl. No.: **29/514,905**

(22) Filed: **Jan. 16, 2015**

(51) **LOC (10) Cl.** **09-01**

(52) **U.S. Cl.**
USPC **D9/538;** D9/539; D9/552

(58) **Field of Classification Search**
USPC D9/682, 686-687, 689, 691-694, 725,
D9/763, 772-773, 775, 779, 516, 519,
D9/521-522, 526, 529-530, 537-543,
D9/549-550, 552, 226, 559-561, 565, 571,
D9/574-575; 215/379, 381-385; 220/660,
220/669, 675

See application file for complete search history.

(56) **References Cited**

U.S. PATENT DOCUMENTS

D398,855 S *	9/1998	Ito	D9/537
D414,112 S *	9/1999	Waggaman	D9/538 X
D429,151 S *	8/2000	Cheng	D9/552 X
D466,023 S *	11/2002	Eickmeier	D9/556 X
D480,650 S *	10/2003	Moore	D9/540
D491,071 S *	6/2004	Degeyter	D9/565
D503,309 S *	3/2005	Yu	D9/538 X

D503,341 S *	3/2005	Delmotte	D9/538
D506,138 S	6/2005	Zboch et al.		
D506,139 S	6/2005	Zboch et al.		
D506,923 S	7/2005	Zboch et al.		
D509,746 S *	9/2005	Mero	D9/538
D517,864 S *	3/2006	Yu	D7/510
D522,874 S *	6/2006	Livingston	D9/557 X
D527,267 S *	8/2006	Zboch	D9/516
D552,997 S *	10/2007	Blasko	D9/549 X
D556,580 S *	12/2007	Yamada	D9/552 X
D559,694 S *	1/2008	Le Bras-Brown	D9/538
D561,597 S *	2/2008	Venkataraman	D9/550
D582,782 S *	12/2008	Toson	D9/556 X
D584,628 S *	1/2009	Lepoitevin	D9/540 X
D588,921 S *	3/2009	Williams	D9/537
D596,040 S *	7/2009	Lepoitevin	D9/556 X
D603,268 S *	11/2009	Bourne	D9/538 X
D603,709 S *	11/2009	Lepoitevin	D9/552 X

(Continued)

FOREIGN PATENT DOCUMENTS

EM 001064802-0001 1/2009

Primary Examiner — Carol P Rademaker

(74) *Attorney, Agent, or Firm* — Sterne, Kessler,
Goldstein & Fox P.L.L.C.

(57) **CLAIM**

The ornamental design for a bottle, as shown and described.

DESCRIPTION

FIG. 1 is a top, front, left perspective view of a bottle showing our new design;

FIG. 2 is a left side view thereof;

FIG. 3 is a front view thereof;

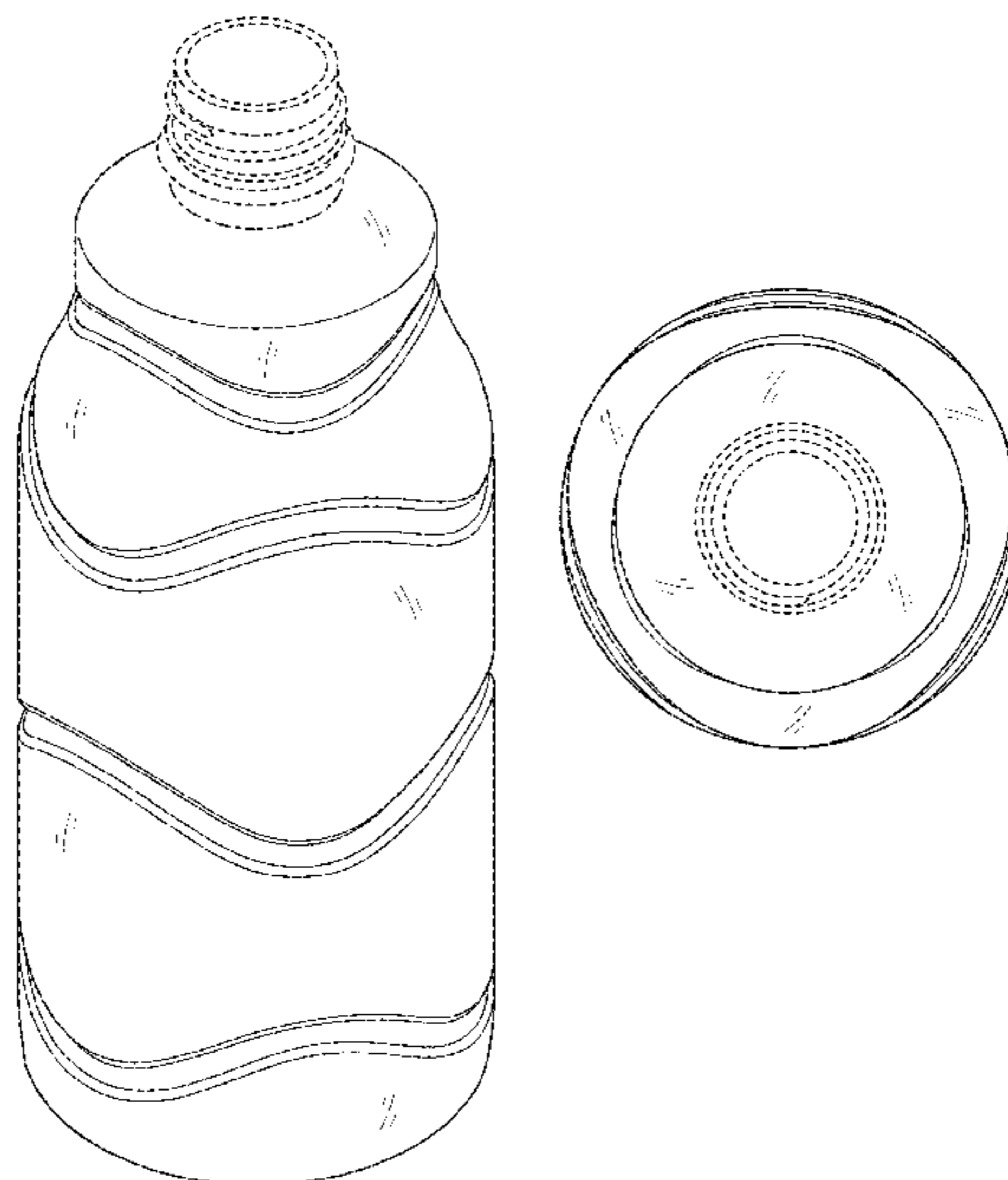
FIG. 4 is a right side view thereof;

FIG. 5 is a rear view thereof; and,

FIG. 6 is a top view thereof.

The uneven-length broken lines represent unclaimed boundaries of the claimed design. The even-length broken lines showing the remainder of the bottle are for environmental purposes only and form no part of the claimed design.

1 Claim, 6 Drawing Sheets



US D767,993 S

Page 2

(56)

References Cited

U.S. PATENT DOCUMENTS

D635,461 S *	4/2011	Inoi	D9/557 X
D747,654 S *	1/2016	Westhofen	D9/565 X
D759,493 S *	6/2016	Evers	D9/556 X
D609,105 S *	2/2010	Tiefenback	D9/574 X

* cited by examiner

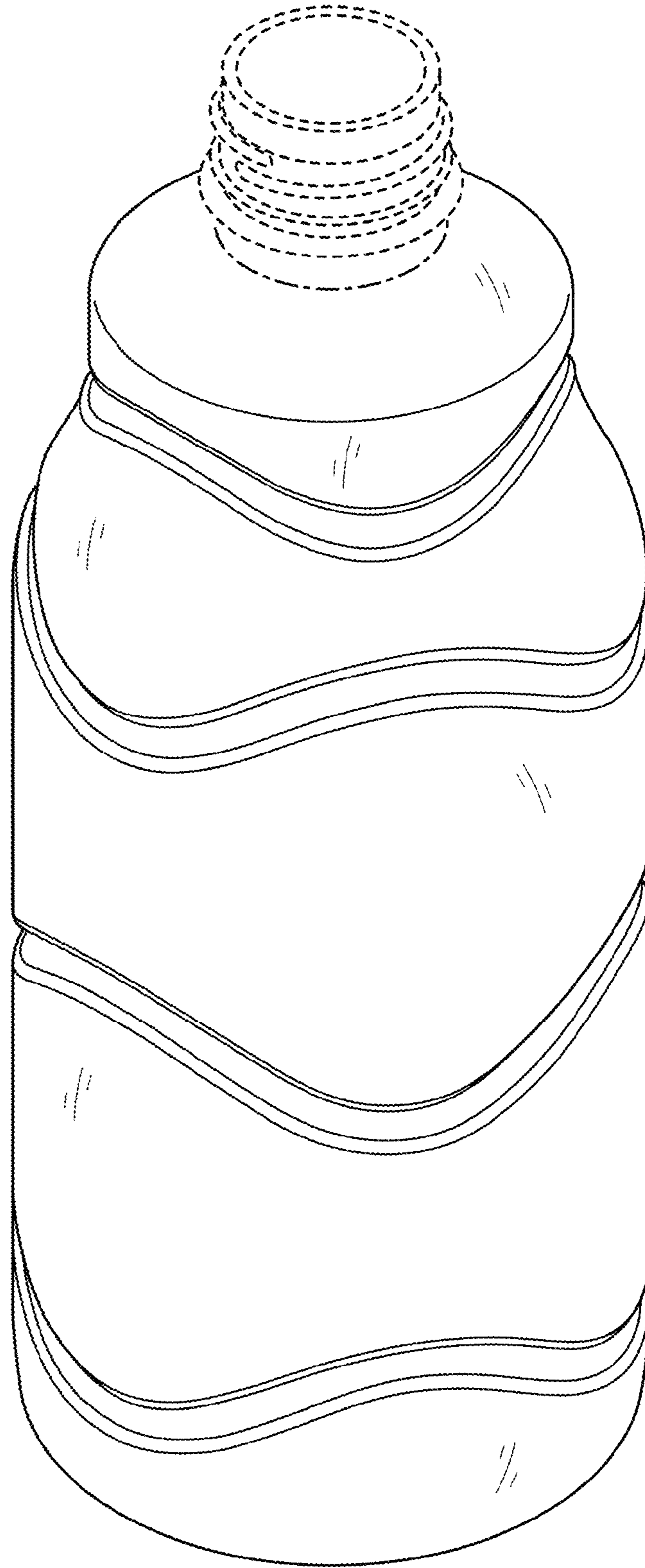


FIG. 1

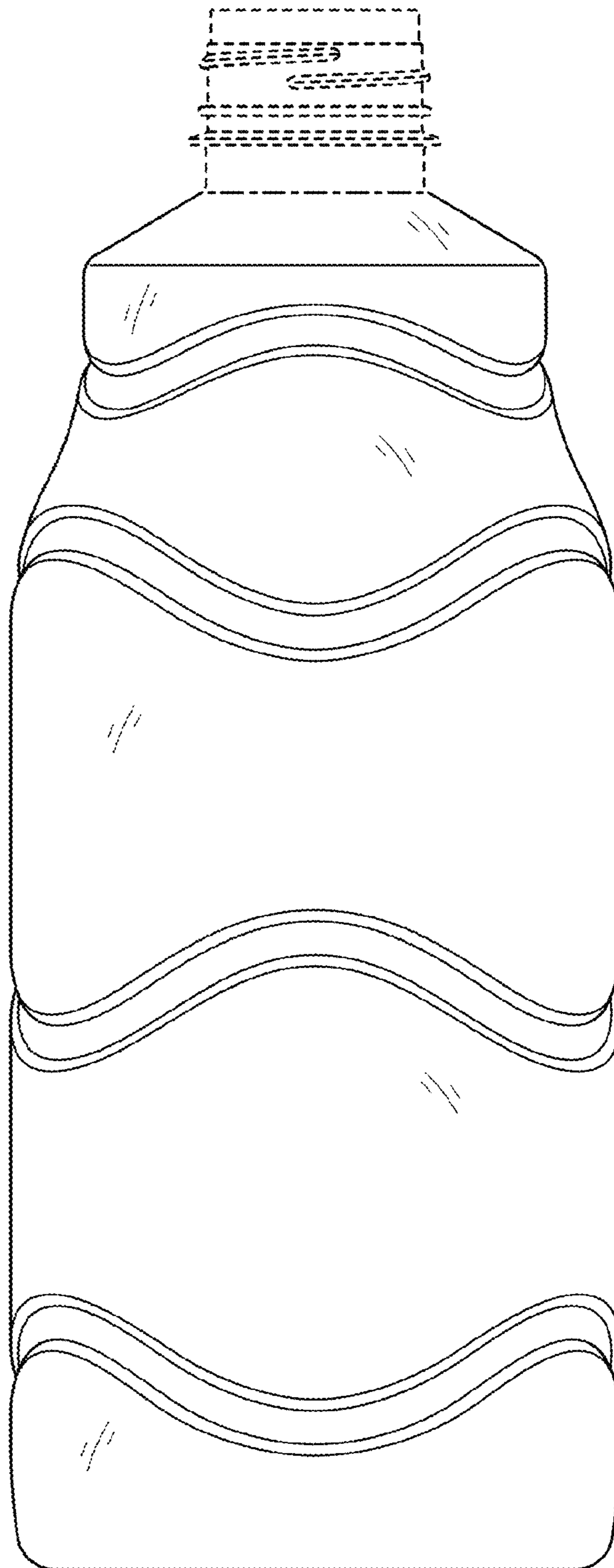


FIG. 2

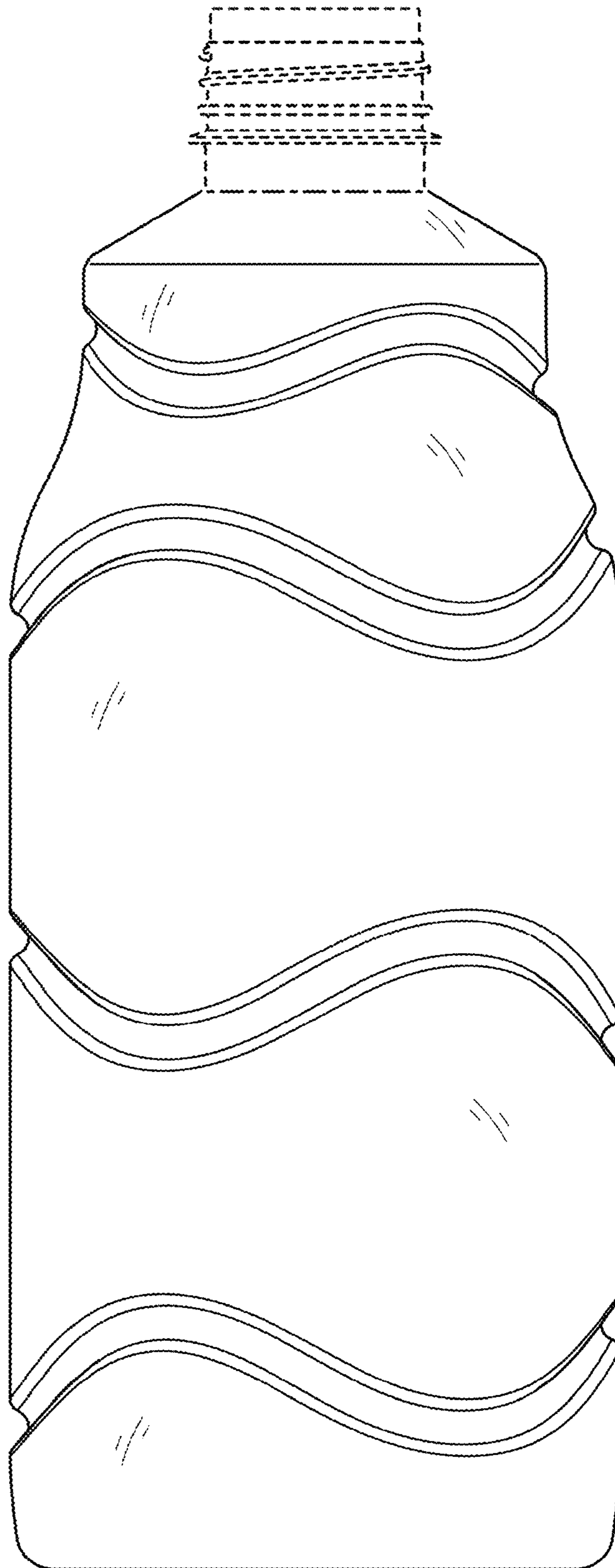


FIG. 3

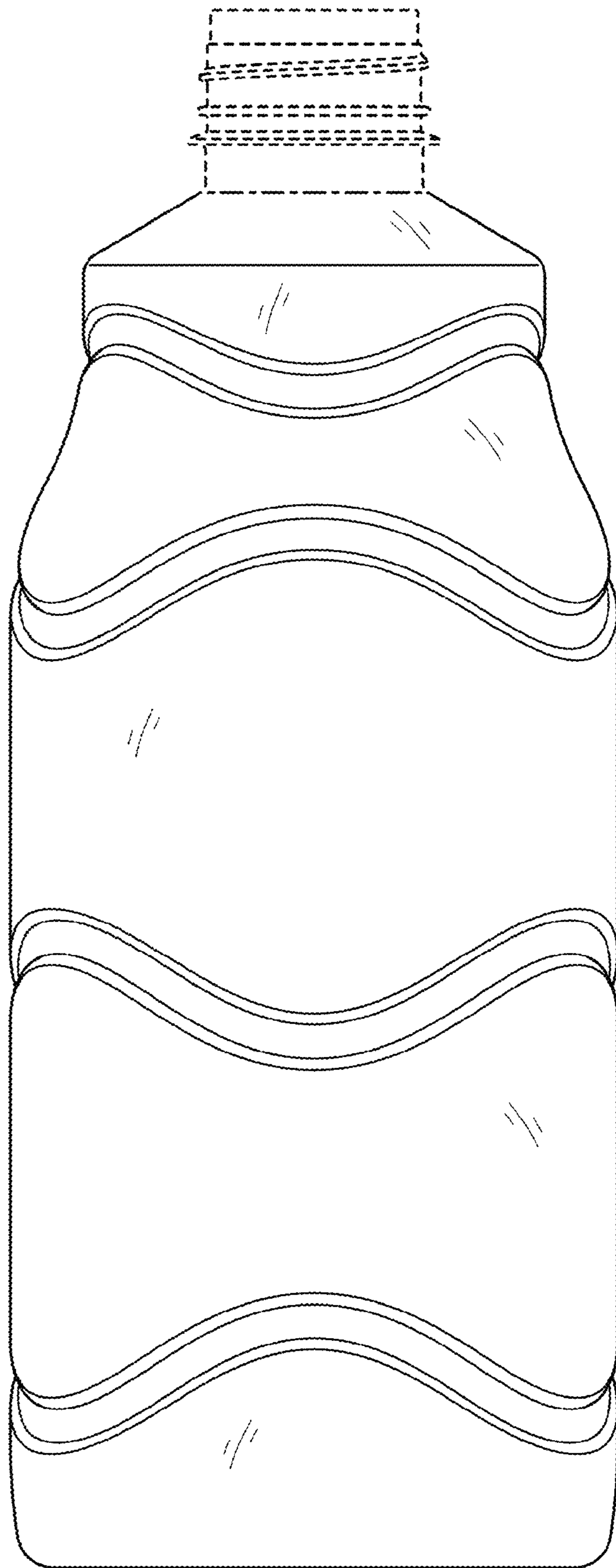


FIG. 4

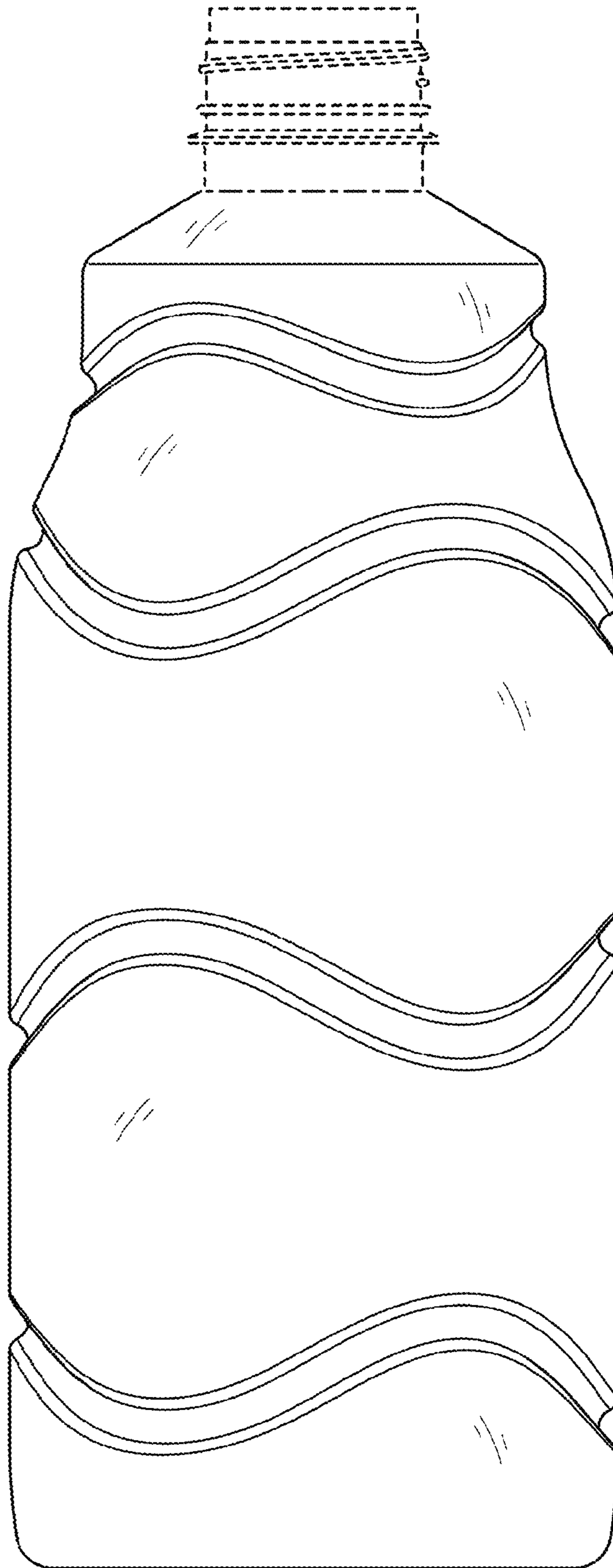


FIG. 5

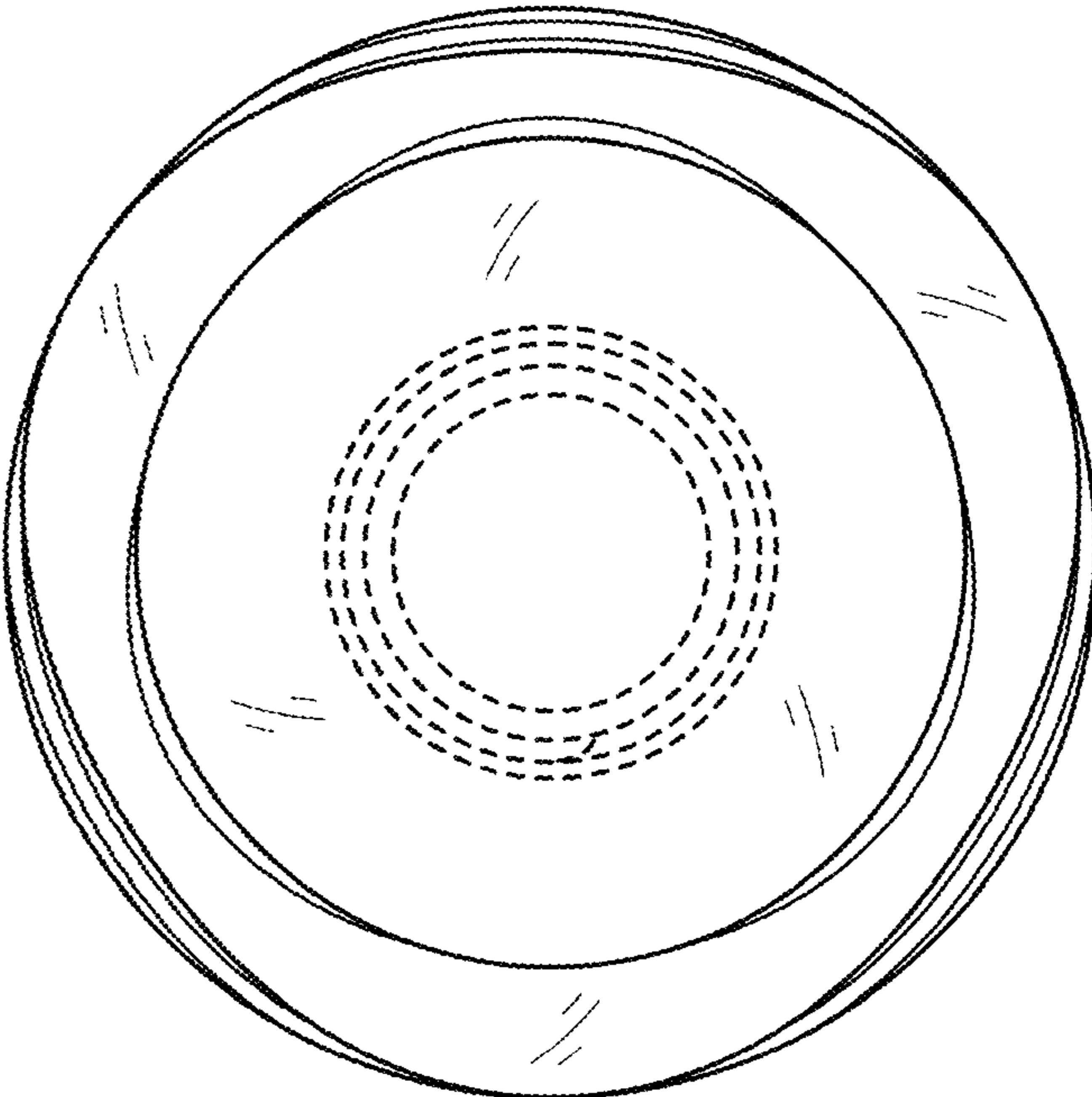


FIG. 6