

US00D767990S

(12) **United States Design Patent**
Kim et al.

(10) **Patent No.:** **US D767,990 S**
(45) **Date of Patent:** **** Oct. 4, 2016**

(54) **BOX**

(56) **References Cited**

(71) Applicant: **Samsung Electronics Co., Ltd.**,
Suwon-si (KR)
(72) Inventors: **Min-Sung Kim**, Seongnam-si (KR);
Woo-Seok Oh, Bucheon-si (KR);
Ji-Won Lee, Suwon-si (KR); **Bong-Sup**
Lim, Suwon-si (KR)

U.S. PATENT DOCUMENTS

D364,345 S * 11/1995 Prins D9/430
D490,705 S * 6/2004 Olsson D9/432
D502,097 S * 2/2005 Holthaus D9/430
D540,667 S * 4/2007 Duranthon D9/430
D548,591 S * 8/2007 Learn D9/432
D557,602 S * 12/2007 Terrasi D9/431
D703,530 S * 4/2014 Caldecourt D9/432

* cited by examiner

FOREIGN PATENT DOCUMENTS

EM 000014543-0045 7/2003
EM 000204268-0003 10/2006
EM 000352737-0006 9/2007

(73) Assignee: **Samsung Electronics Co., Ltd.**,
Suwon-si (KR)

(**) Term: **15 Years**

OTHER PUBLICATIONS

(21) Appl. No.: **29/530,598**

Kingun's Playground "Opening up the LG G Flex, the beauty of flexibility of curved surface" [2013] blue2310.tistory.com. Nov. 22, 2013. <<http://blue2310.tistory.com/2383>>.

(22) Filed: **Jun. 18, 2015**

Primary Examiner — Vy Koenig

(74) *Attorney, Agent, or Firm* — NSIP Law

(30) **Foreign Application Priority Data**

Jan. 9, 2015 (KR) 30-2015-0001077

(51) **LOC (10) Cl.** **09-03**

(52) **U.S. Cl.**
USPC **D9/432**

(58) **Field of Classification Search**
USPC D9/414-418, 420-427, 430-434, 634,
D9/649, 653, 667, 669, 707, 711-713,
D9/733-744, 751, 756, 759, 760; D3/272,
D3/273, 302, 304-309, 315; D7/601, 602,
D7/609, 619.1, 630
CPC B65D 5/00-5/02; B65D 5/0209-5/0272;
B65D 5/029; B65D 5/40; B65D 5/72; B65D
5/727; B65D 31/10-31/18; B65D 35/04;
B65D 35/56

See application file for complete search history.

(57) **CLAIM**

We claim the ornamental design for a box, as shown and described.

DESCRIPTION

FIG. 1 is a front perspective view of a box showing our new design;
FIG. 2 is a front view thereof;
FIG. 3 is a rear view thereof;
FIG. 4 is a left-side view thereof;
FIG. 5 is a right-side view thereof;
FIG. 6 is a top view thereof;
FIG. 7 is a bottom view thereof;

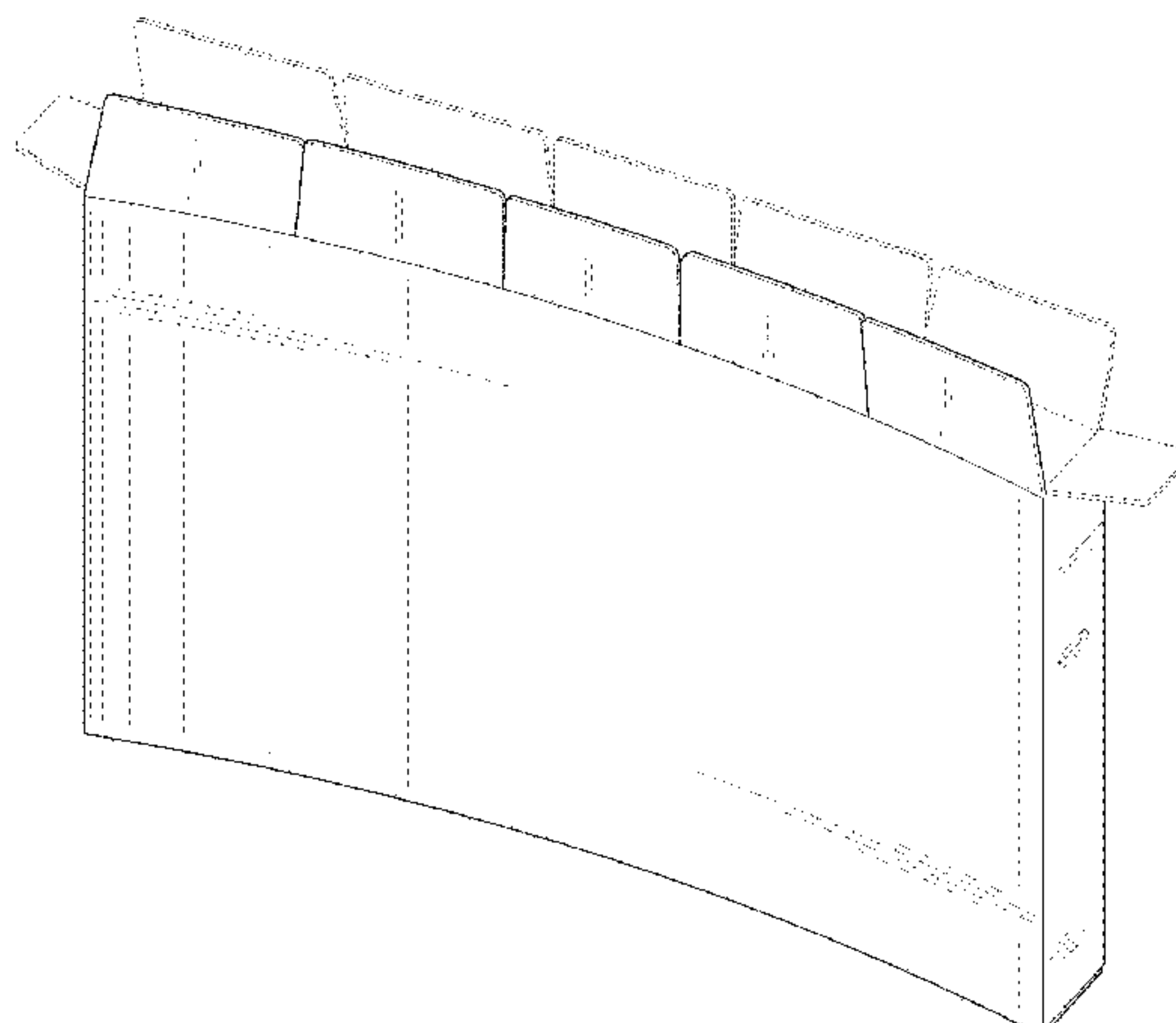


FIG. 8 is another perspective view of the box shown in an open position;

FIG. 9 is another perspective view of the box in which a television receiver and packing features are provided in broken lines to illustrate an example environment of how the television receiver may be packed in the design; and,

FIG. 10 is another perspective view showing the box packed with unclaimed packing strings and covers illustrated in broken lines.

The broken lines in the figures show portions of the box and environmental structure that form no part of the claimed design.

1 Claim, 8 Drawing Sheets

FIG. 1

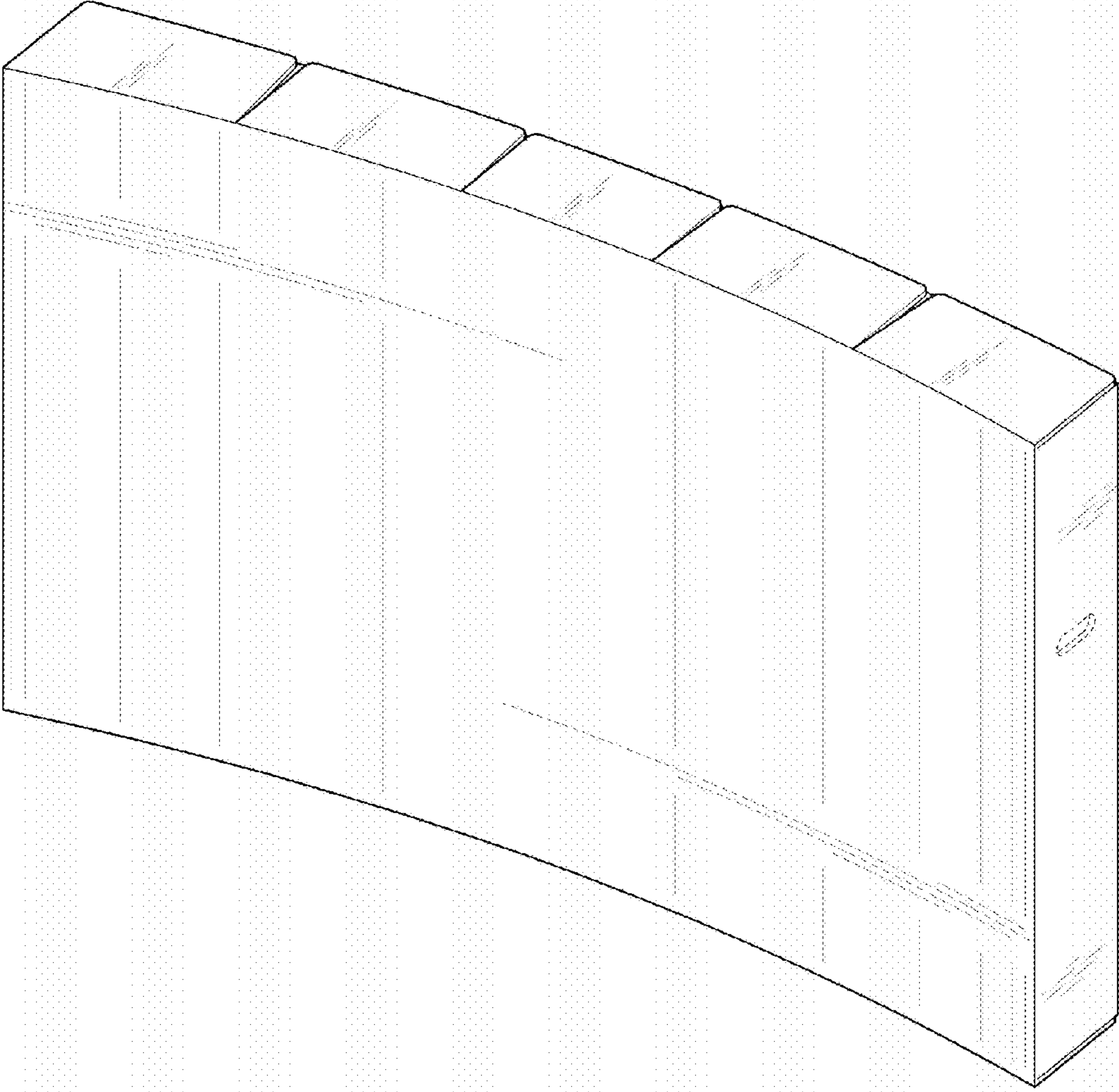


FIG. 2

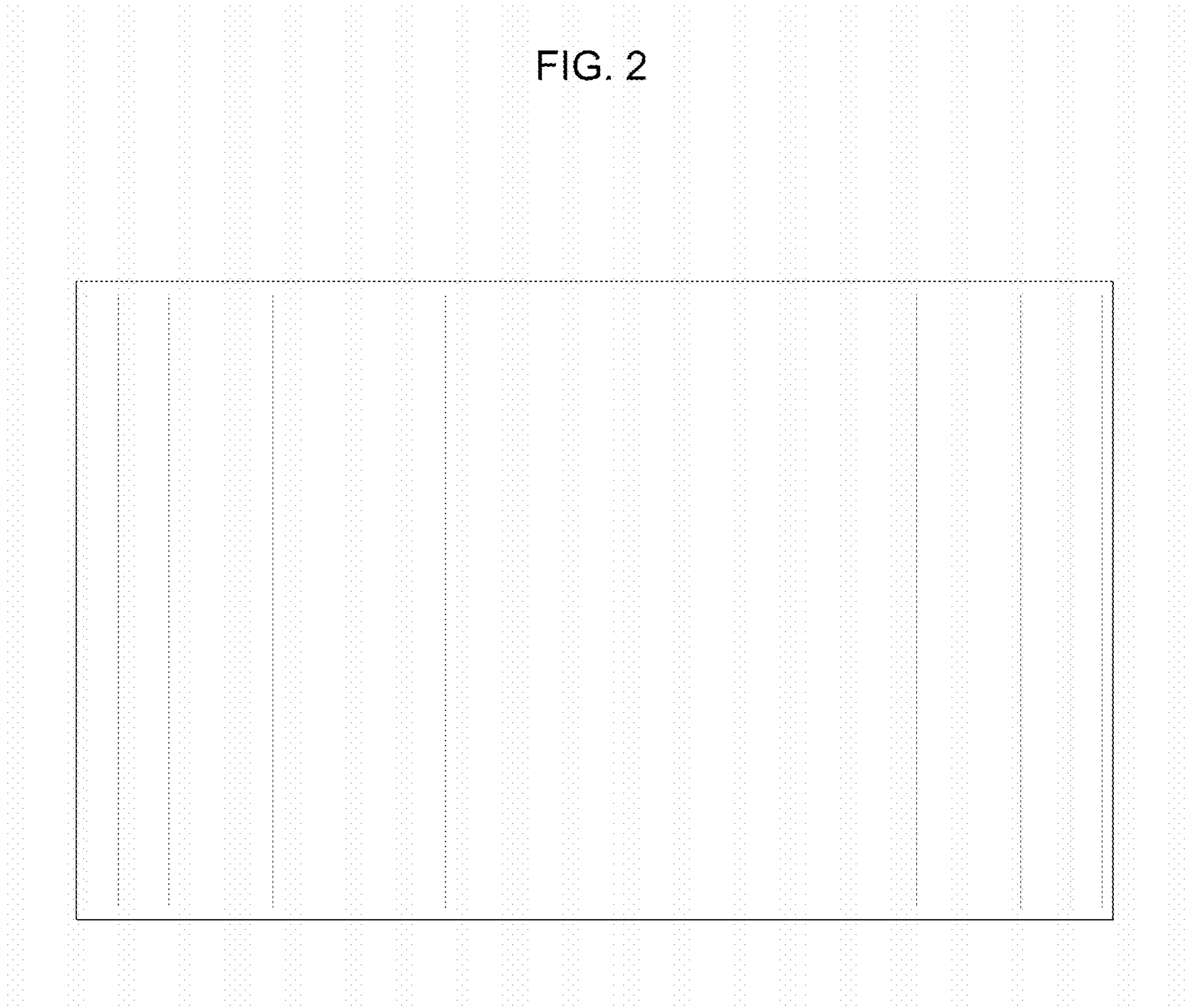


FIG. 3

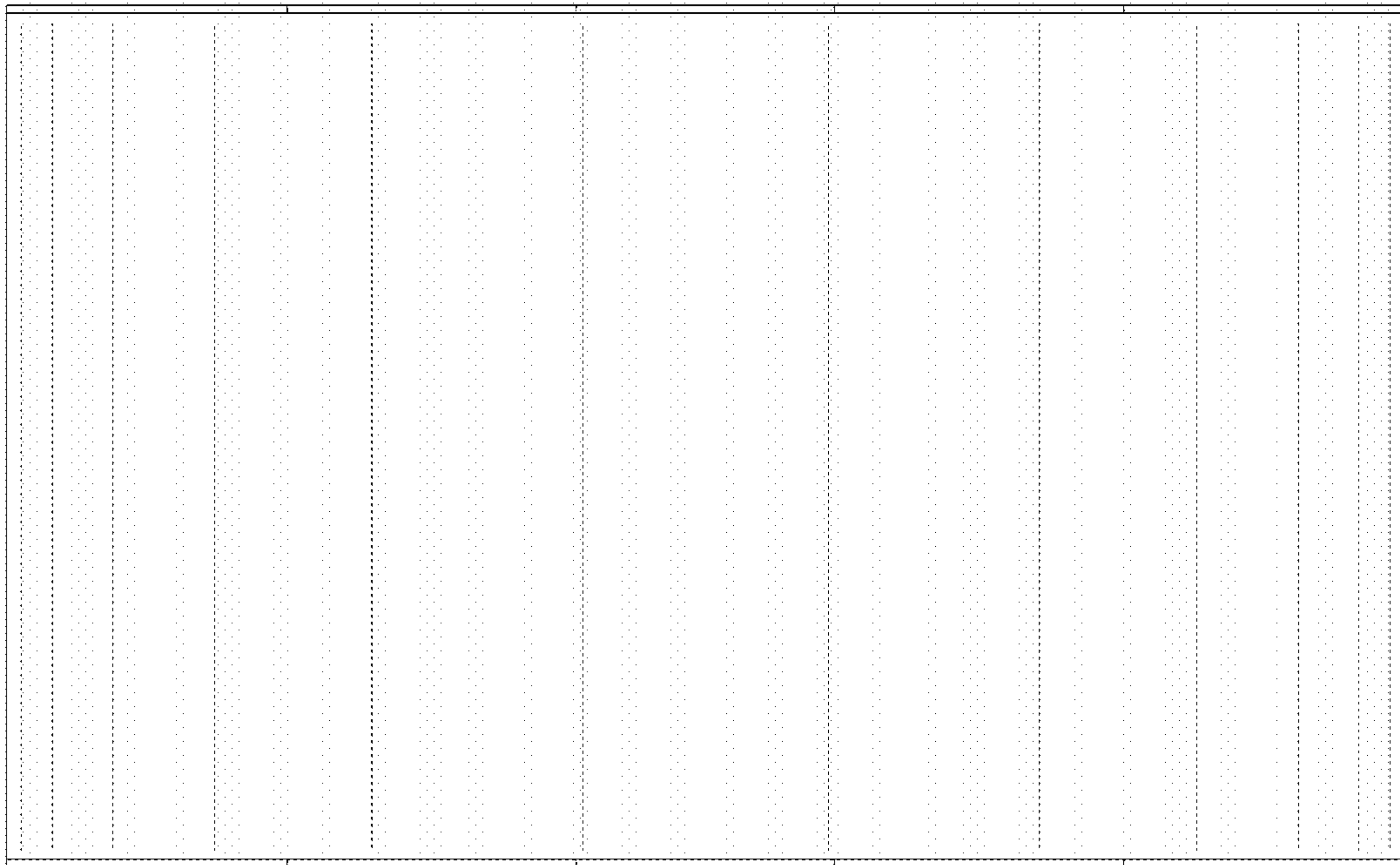


FIG. 4

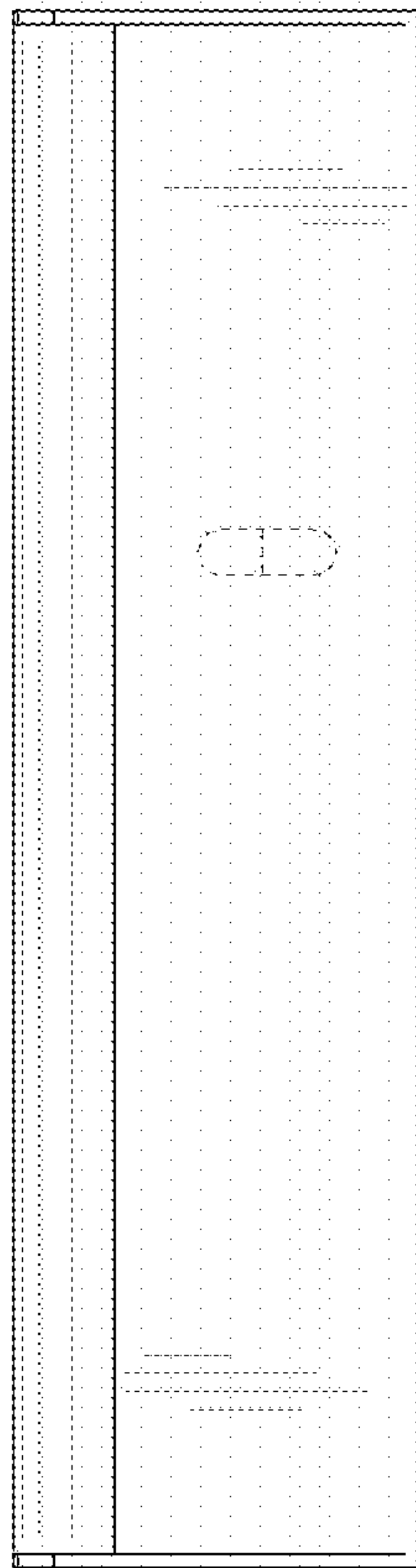


FIG. 5

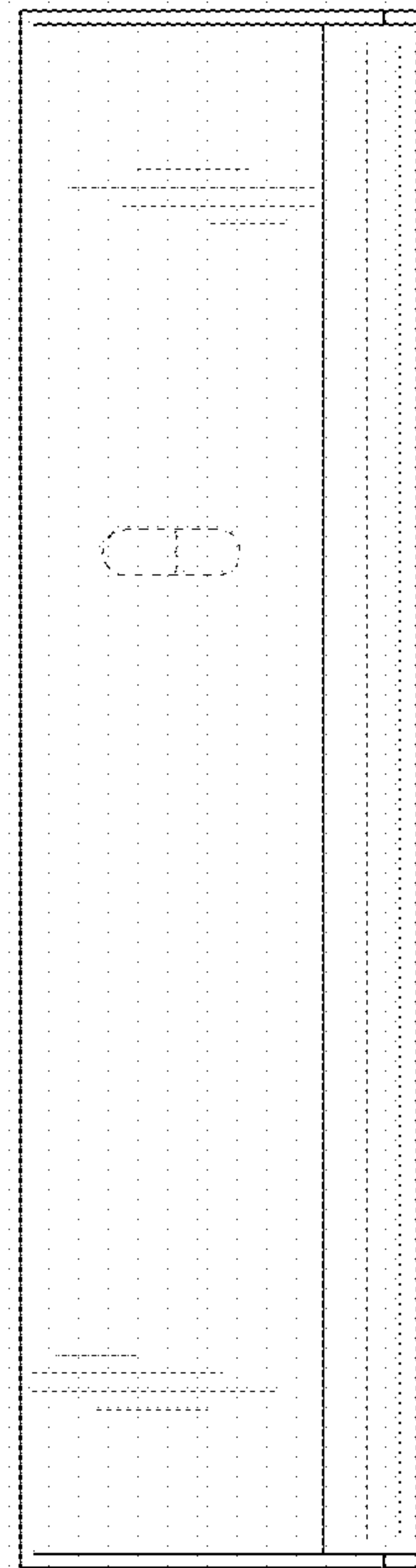


FIG. 6

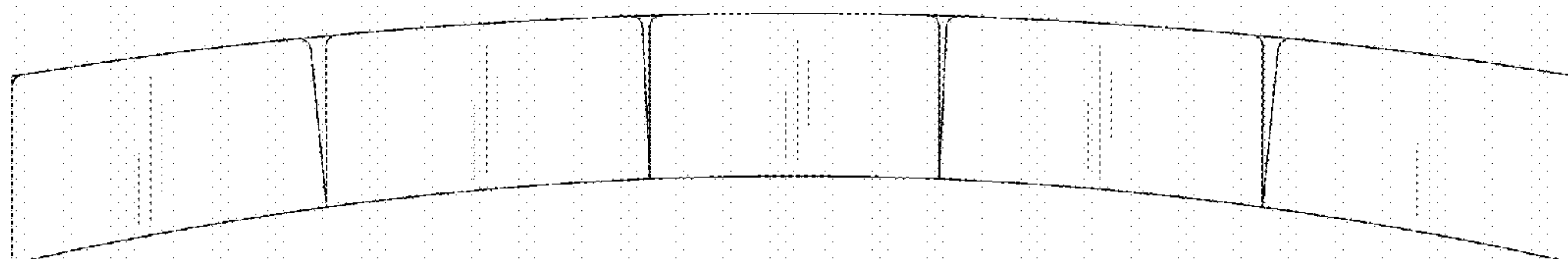


FIG. 7

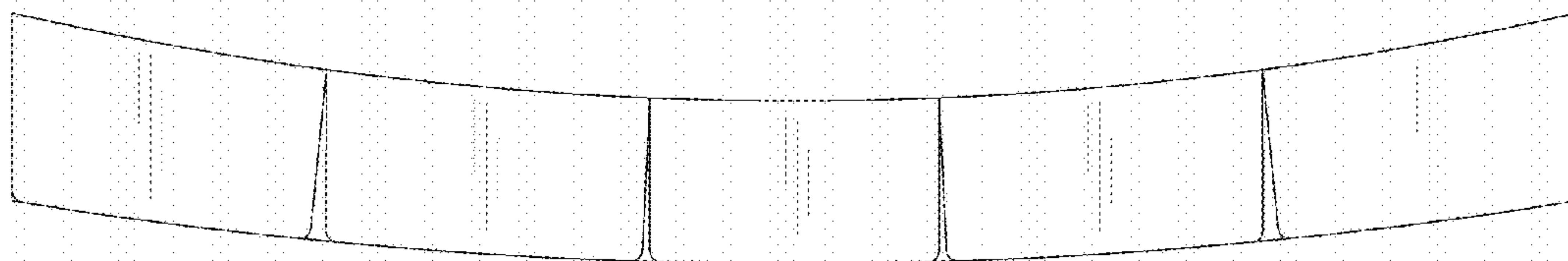


FIG. 8

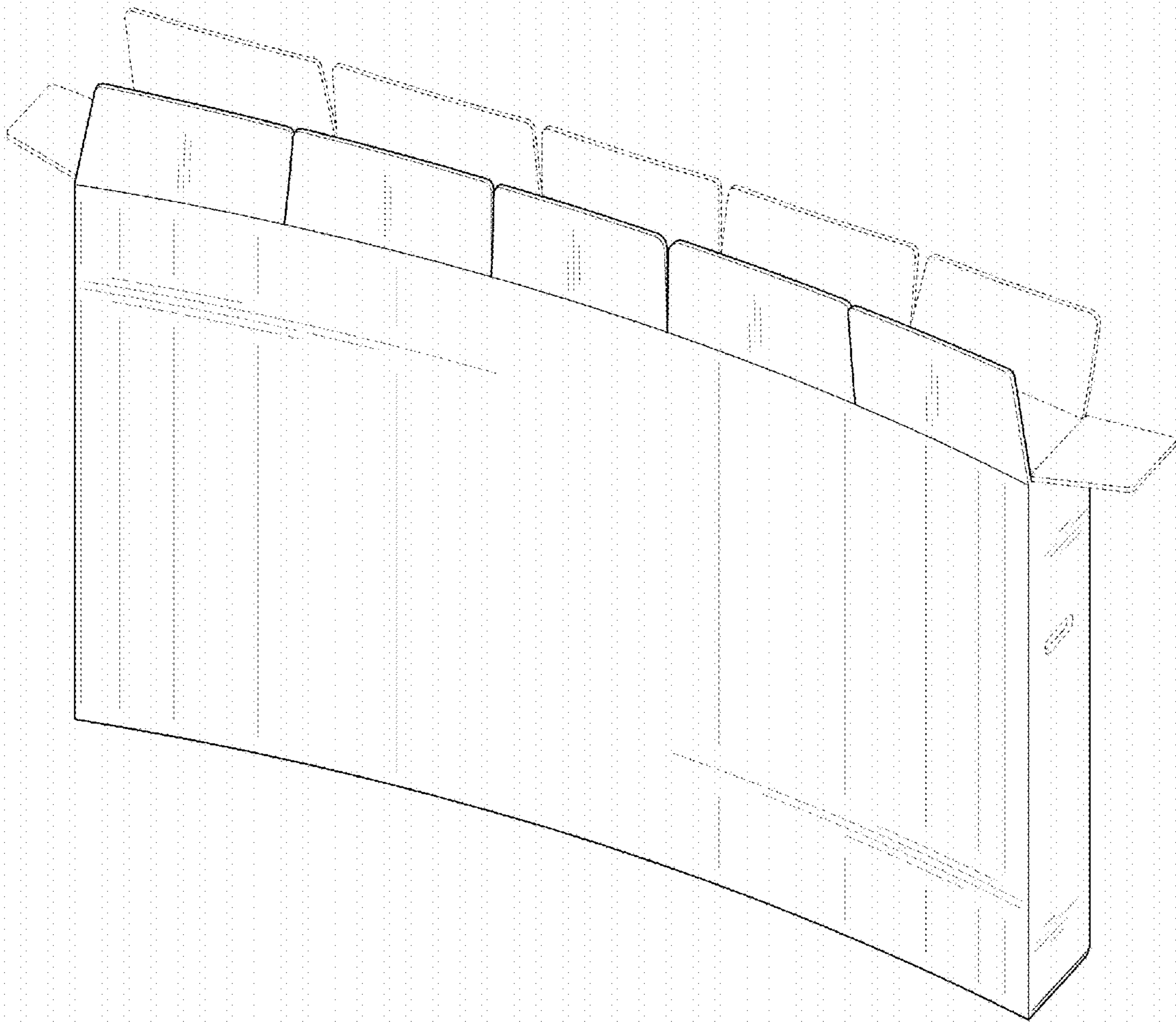


FIG. 9

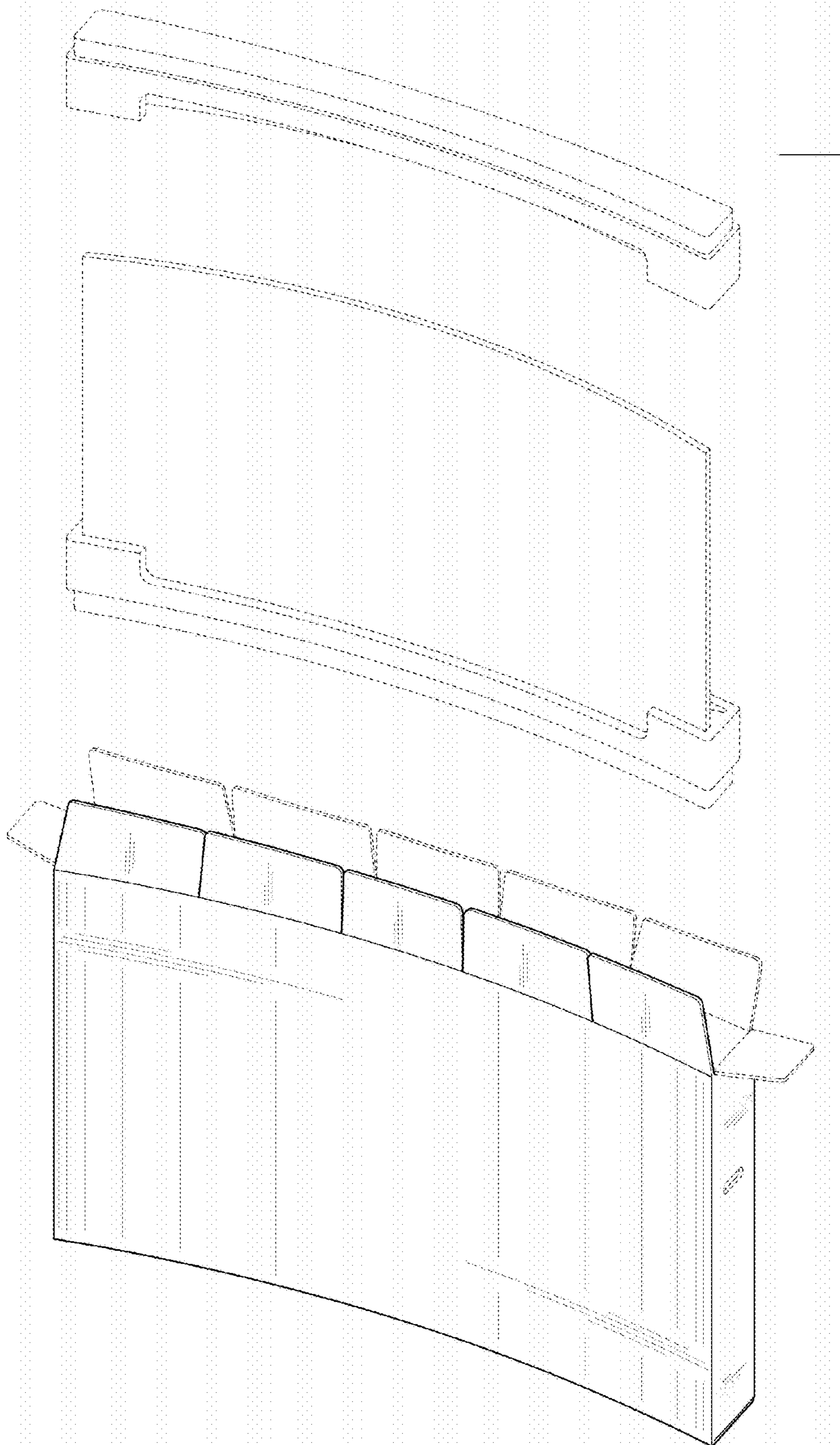


FIG. 10

