

US00D767989S

(12) **United States Design Patent**
Niertert et al.

(10) **Patent No.: US D767,989 S**
(45) **Date of Patent: ** *Oct. 4, 2016**

- (54) **PIZZA BOX**
- (71) Applicant: **Pizza Hut, LLC**, Plano, TX (US)
- (72) Inventors: **William Robert Nietert**, Frisco, TX (US); **Jeff James**, Carol Stream, IL (US); **Jory Mack**, Carol Stream, IL (US); **Timothy Tripp**, Kansas City, MO (US)
- (73) Assignee: **Pizza Hut, LLC**, Plano, TX (US)

5,263,634 A * 11/1993 Korine B65D 5/2019
229/109
5,402,929 A * 4/1995 Ritter B65D 5/2033
229/110
D376,759 S * 12/1996 Bradfield D9/432
5,702,054 A 12/1997 Philips
D432,418 S * 10/2000 Saulas D9/432
D449,520 S * 10/2001 DiZoglio, III D9/423
D506,671 S * 6/2005 Tilley D9/432
D510,264 S * 10/2005 Tilley D9/432
D526,895 S * 8/2006 Sisinni D9/432

(Continued)

(*) Notice: This patent is subject to a terminal disclaimer.

(**) Term: **14 Years**

(21) Appl. No.: **29/498,329**

(22) Filed: **Aug. 1, 2014**

(51) **LOC (10) Cl.** **09-03**

(52) **U.S. Cl.**
USPC **D9/432; D9/423**

(58) **Field of Classification Search**
USPC D9/414-419, 420-425, 428-435, 600,
D9/652, 667-679, 708, 719, 734;
D3/203.2, 272, 273, 294, 302-304;
D7/538-542, 601, 602, 629
CPC B65D 5/18; B65D 5/20; B65D 5/24;
B65D 5/28; B65D 5/30; B65D 5/42; B65D
5/46; B65D 5/70; B65D 5/74; B65D 5/546;
B65D 5/2038; B65D 5/2052; B65D 5/48018;
B65D 5/48022; B65D 5/665; B65D 25/00;
B65D 2585/366; B65D 85/00
See application file for complete search history.

(56) **References Cited**

U.S. PATENT DOCUMENTS

D244,833 S * 6/1977 Persson D9/423
5,110,039 A 5/1992 Philips

OTHER PUBLICATIONS

New Logo and Identity for Pizza Hut by Deutsch LA. [online] Published Nov. 20, 2014. Retrieved from URL: <http://www.underconsideration.com/brandnew/archives/new_logo_and_identity_for_pizza_hut.php#.VdTavk3bJmM>.*

Primary Examiner — Vy Koenig

(74) *Attorney, Agent, or Firm* — Stites & Harbison, PLLC; David W. Nagle, Jr.

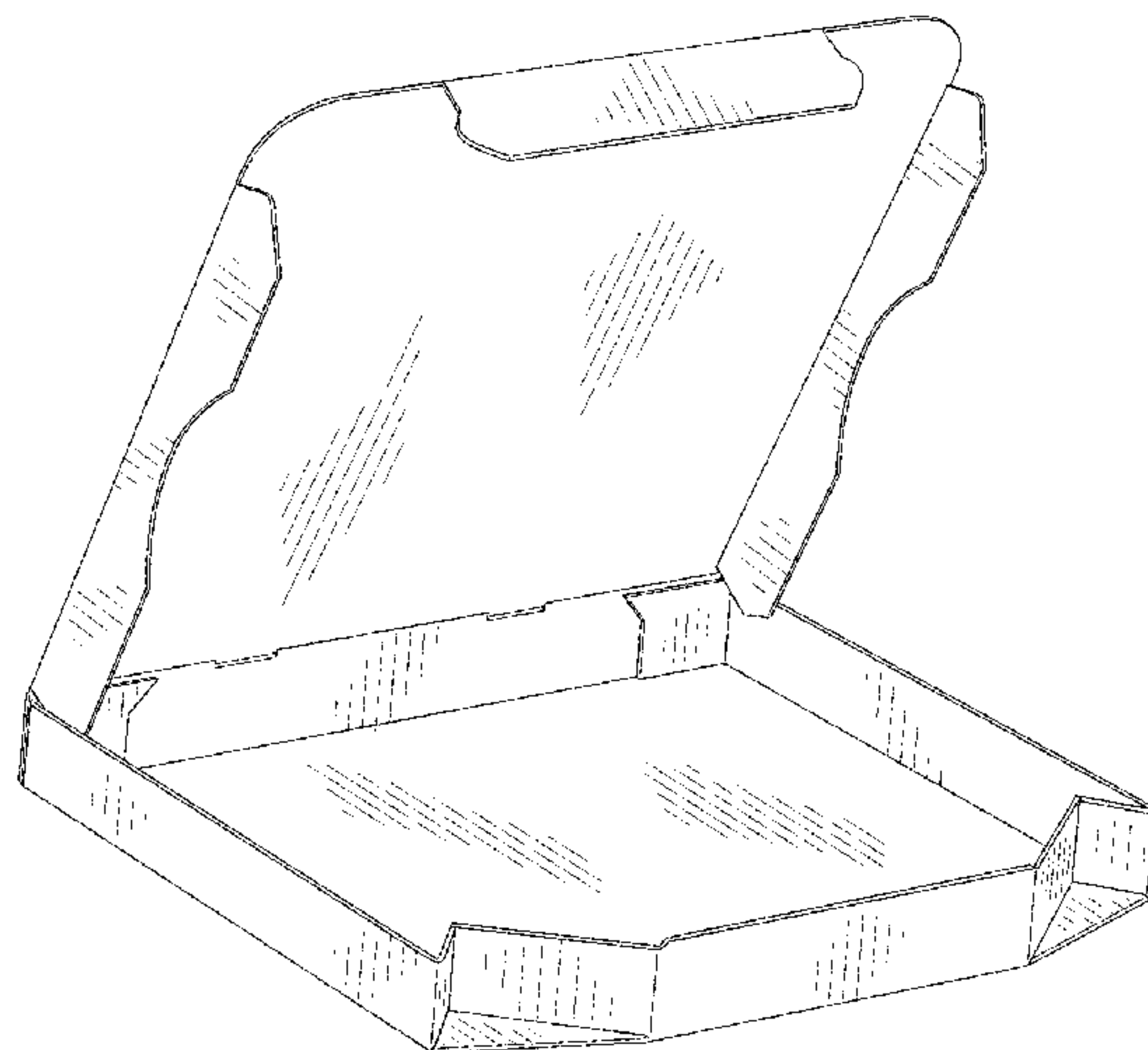
(57) **CLAIM**

The ornamental design for a pizza box, as shown and described.

DESCRIPTION

FIG. 1 is a perspective view of a pizza box incorporating the design of the present invention and with the lid open; FIG. 2 is another perspective view of the pizza box of FIG. 1 with the lid closed; FIG. 3 is a front view of the pizza box of FIG. 2; FIG. 4 is a rear view of the pizza box of FIG. 2; FIG. 5 is a left side view of the pizza box of FIG. 2; FIG. 6 is a right side view of the pizza box of FIG. 2; FIG. 7 is a top view of the pizza box of FIG. 2; and, FIG. 8 is a bottom view of the pizza box of FIG. 2.

1 Claim, 6 Drawing Sheets



US D767,989 S

Page 2

(56)

References Cited

U.S. PATENT DOCUMENTS

7,762,450 B2 *	7/2010	Oliveira	B65D 5/02 229/107	2004/0222277 A1 *	11/2004	Correll	B65D 5/2033 229/110
D652,717 S *	1/2012	Shimoyama	D9/432	2005/0103832 A1 *	5/2005	Correll	B65D 5/2033 229/110
D681,452 S	5/2013	Dennen		2007/0199981 A1 *	8/2007	Oliveira	B65D 5/5007 229/108
D683,213 S *	5/2013	Clegg	D9/432	2009/0218388 A1 *	9/2009	Martinez	B65D 5/002 229/110
D683,624 S *	6/2013	Terlesky	D9/432	2011/0253772 A1 *	10/2011	Holch	B65D 5/0005 229/101.2
D732,333 S *	6/2015	Mercier	D7/323				
D732,383 S *	6/2015	Nash	D9/417				

* cited by examiner

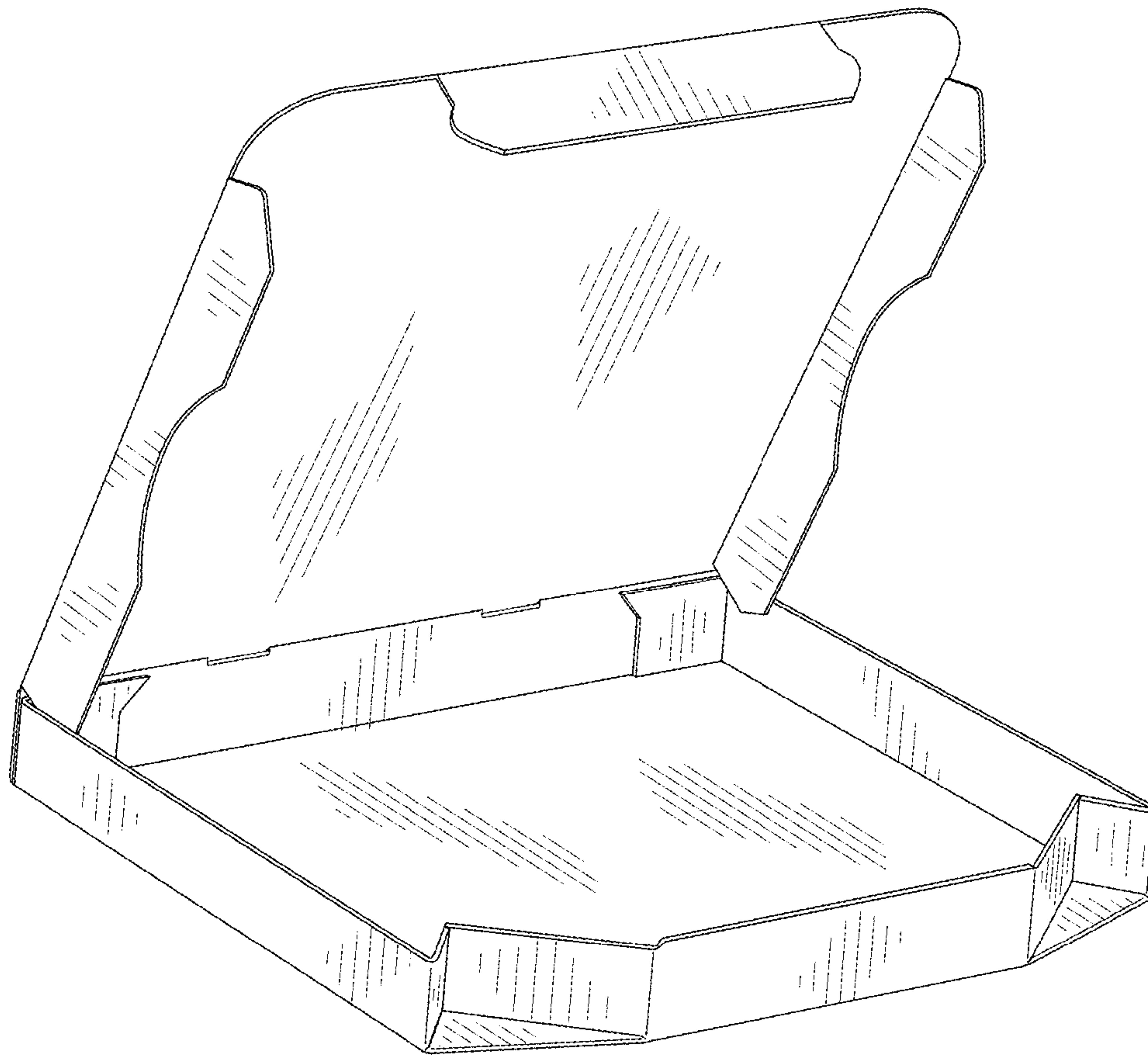


FIG. 1

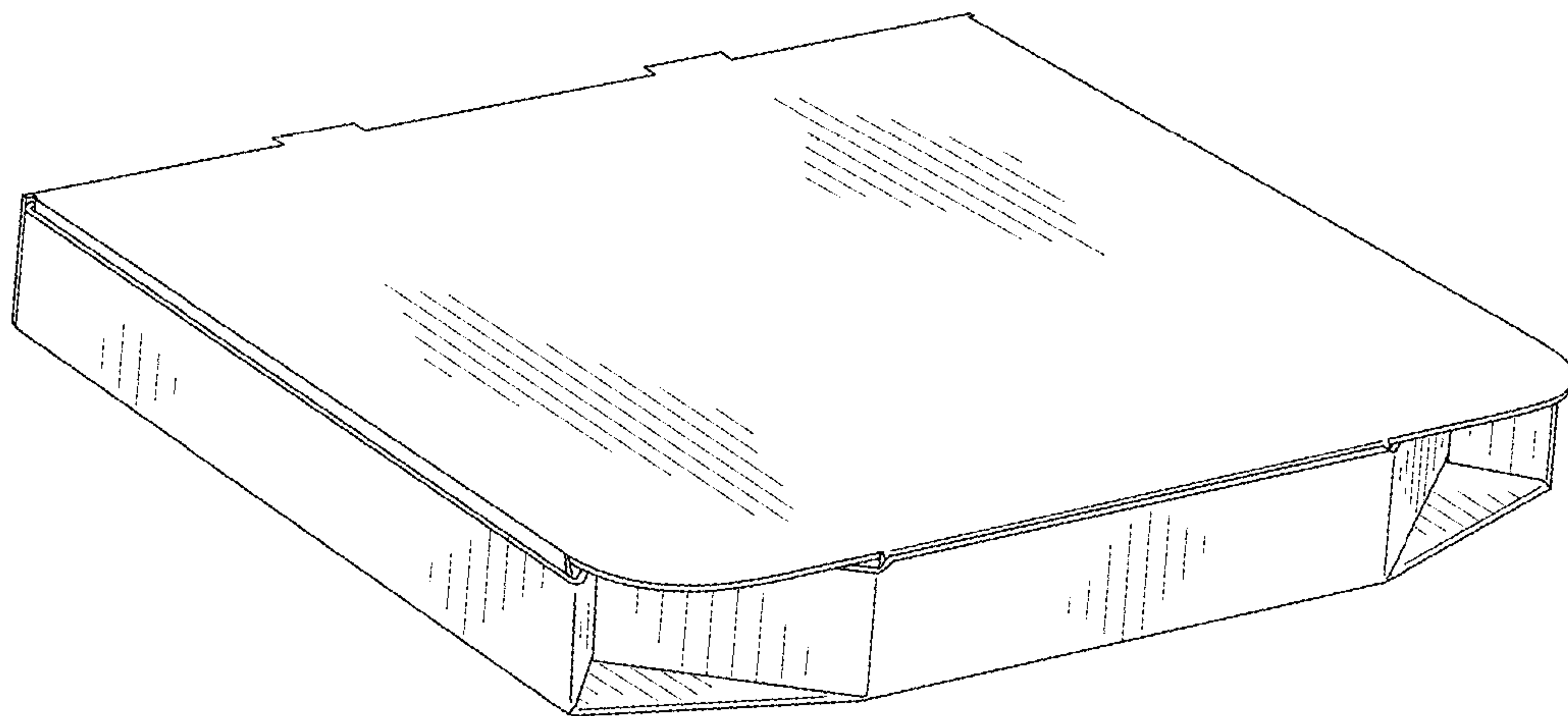


FIG. 2

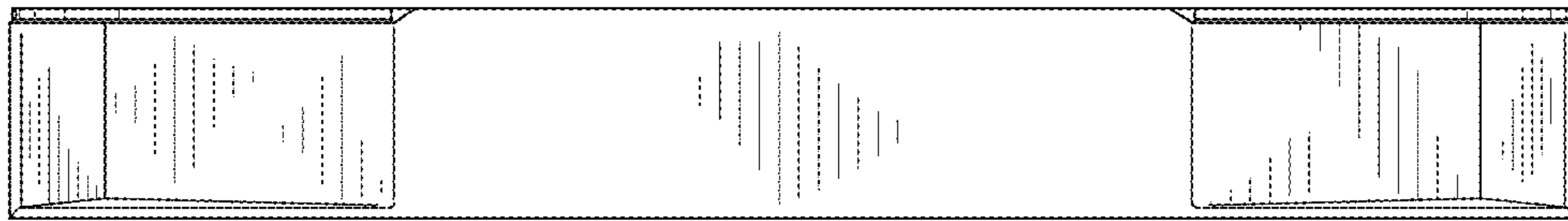


FIG. 3

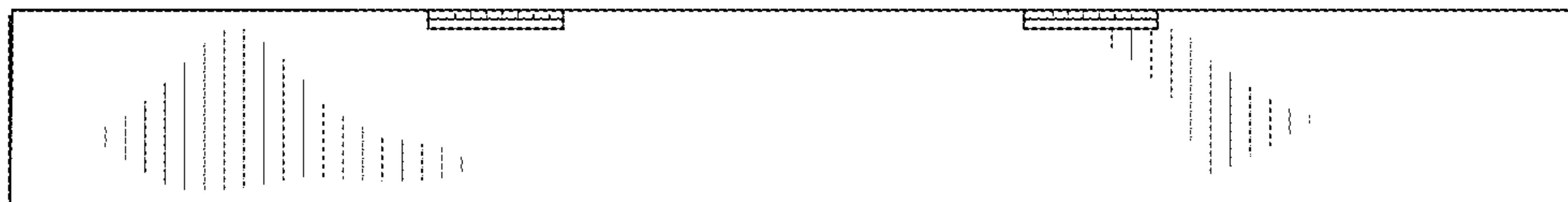


FIG. 4

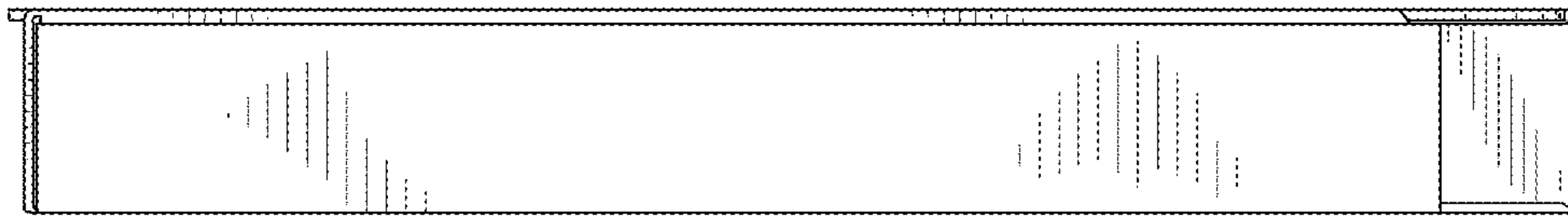


FIG. 5

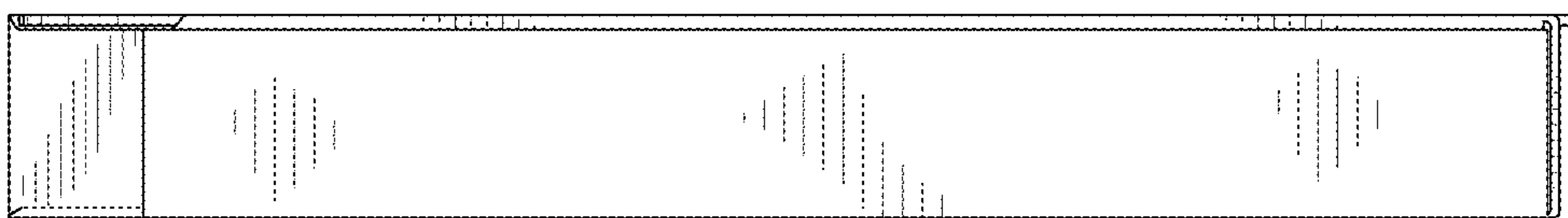


FIG. 6

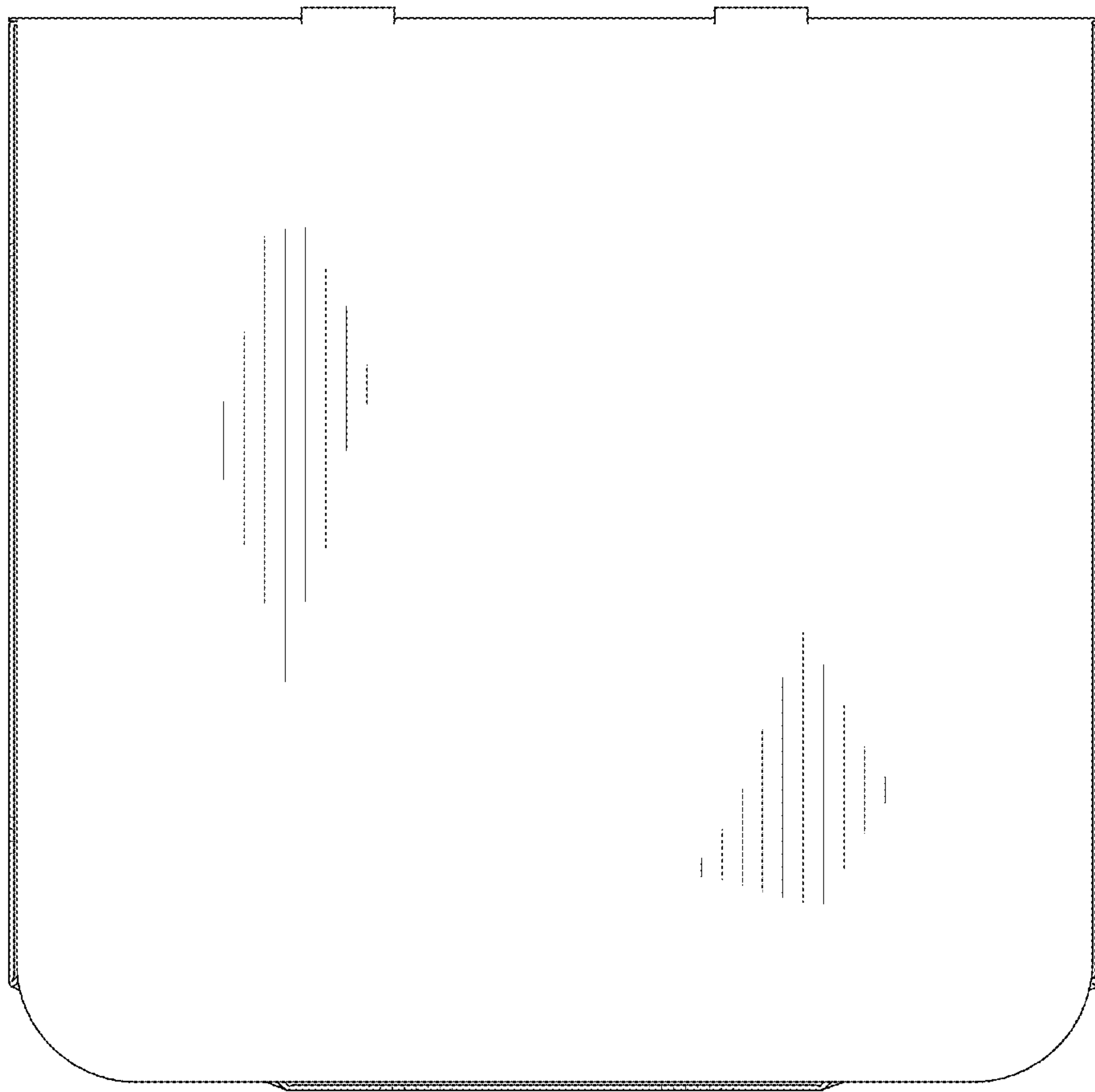


FIG. 7

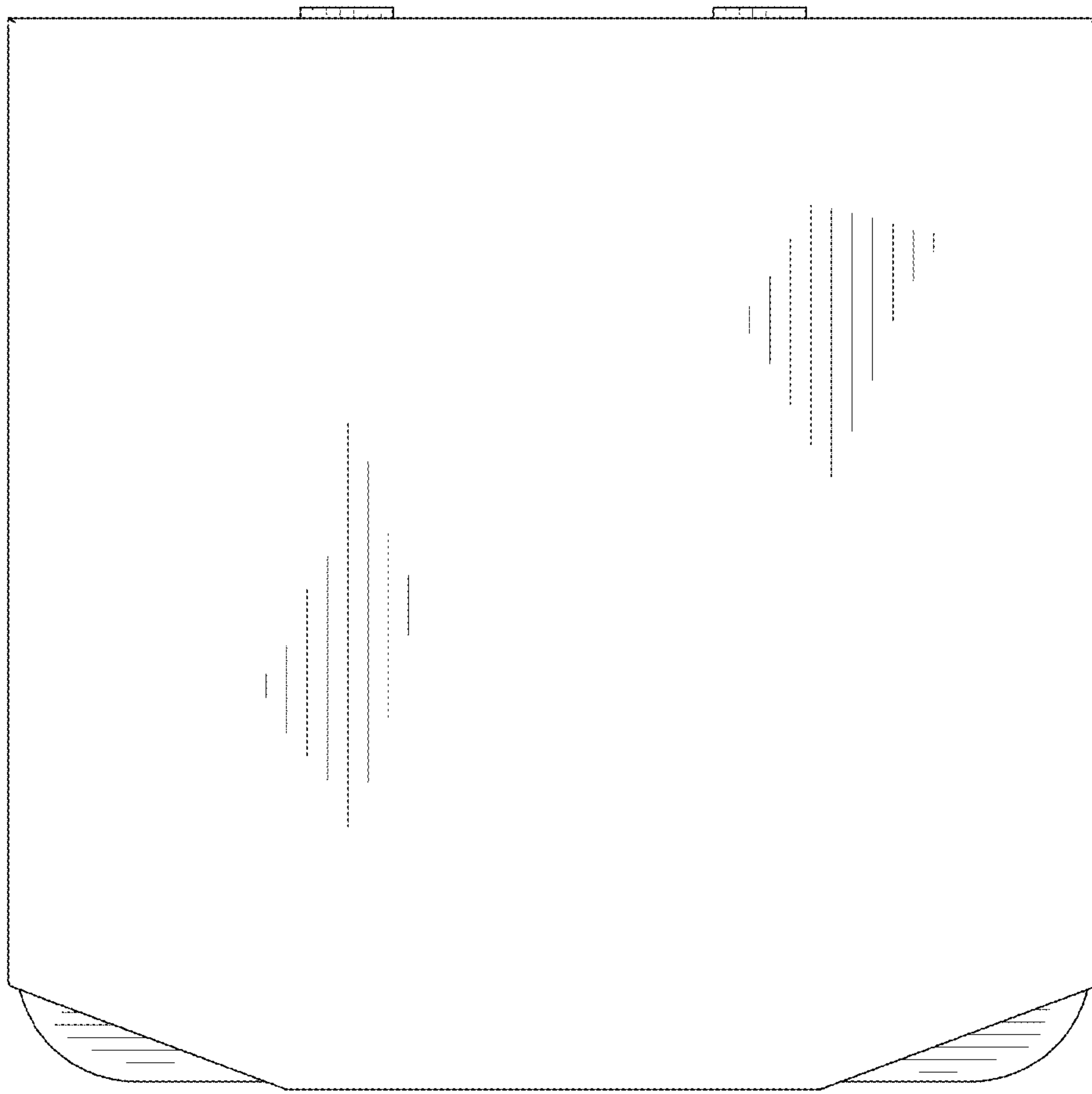


FIG. 8