



US00D767988S

(12) **United States Design Patent** (10) **Patent No.:** **US D767,988 S**  
**Wu et al.** (45) **Date of Patent:** **\*\* Oct. 4, 2016**

(54) **PACKING CASE FOR LOCK DEVICES**  
(71) Applicant: **TAIWAN FU HSING INDUSTRIAL CO., LTD.**, Kaohsiung (TW)  
(72) Inventors: **Wen-Fa Wu**, Kaohsiung (TW); **Chiao-Chin Lu**, Kaohsiung (TW)  
(73) Assignee: **TAIWAN FU HSING INDUSTRIAL CO., LTD.**, Kaohsiung (TW)  
(\*\*) Term: **15 Years**  
(21) Appl. No.: **29/531,623**  
(22) Filed: **Jun. 28, 2015**  
(30) **Foreign Application Priority Data**  
May 12, 2015 (TW) ..... 104302532  
(51) **LOC (10) Cl.** ..... **09-03**  
(52) **U.S. Cl.**  
USPC ..... **D9/424; D9/415**  
(58) **Field of Classification Search**  
USPC ..... D9/414, 415, 423, 424, 425, 430, 737;  
D7/400, 553.1, 553.2, 554.3, 545, 555,  
D7/601, 602, 629, 630; 220/62.12, 200,  
220/213, 315, 318, 500, 553, 554, 555, 556,  
220/557, 660, 669, 675, 676, 677, 780, 796,  
220/810; 426/106, 112, 115  
CPC ..... B65D 2543/00296; B65D 2543/00092;  
B65D 85/8043; B65D 43/0212; B65D  
1/0223; B65D 2543/00509; B65D  
2543/00731; B65D 79/005; B65D 25/04;  
B65D 2543/00805; B65D 1/36; B65D 85/72;  
B65D 1/34; B65D 81/3453; B65D 51/20;  
B65D 2543/00027; B65D 2543/00648;  
B65D 2543/00972; B65D 85/73; B65D  
2543/00416; B65D 2543/00694; B65D 25/00;  
B65D 81/3216; B65D 2543/00759; B65D  
1/0207; B65D 81/3205; B65D 2519/00288;  
B65D 2519/00034; B65D 2519/00069;  
B65D 25/08; B65D 1/24; B65D 2519/00174;  
B65D 2519/00268; B65D 2519/00318;  
B65D 77/003; B65D 2519/00208  
See application file for complete search history.

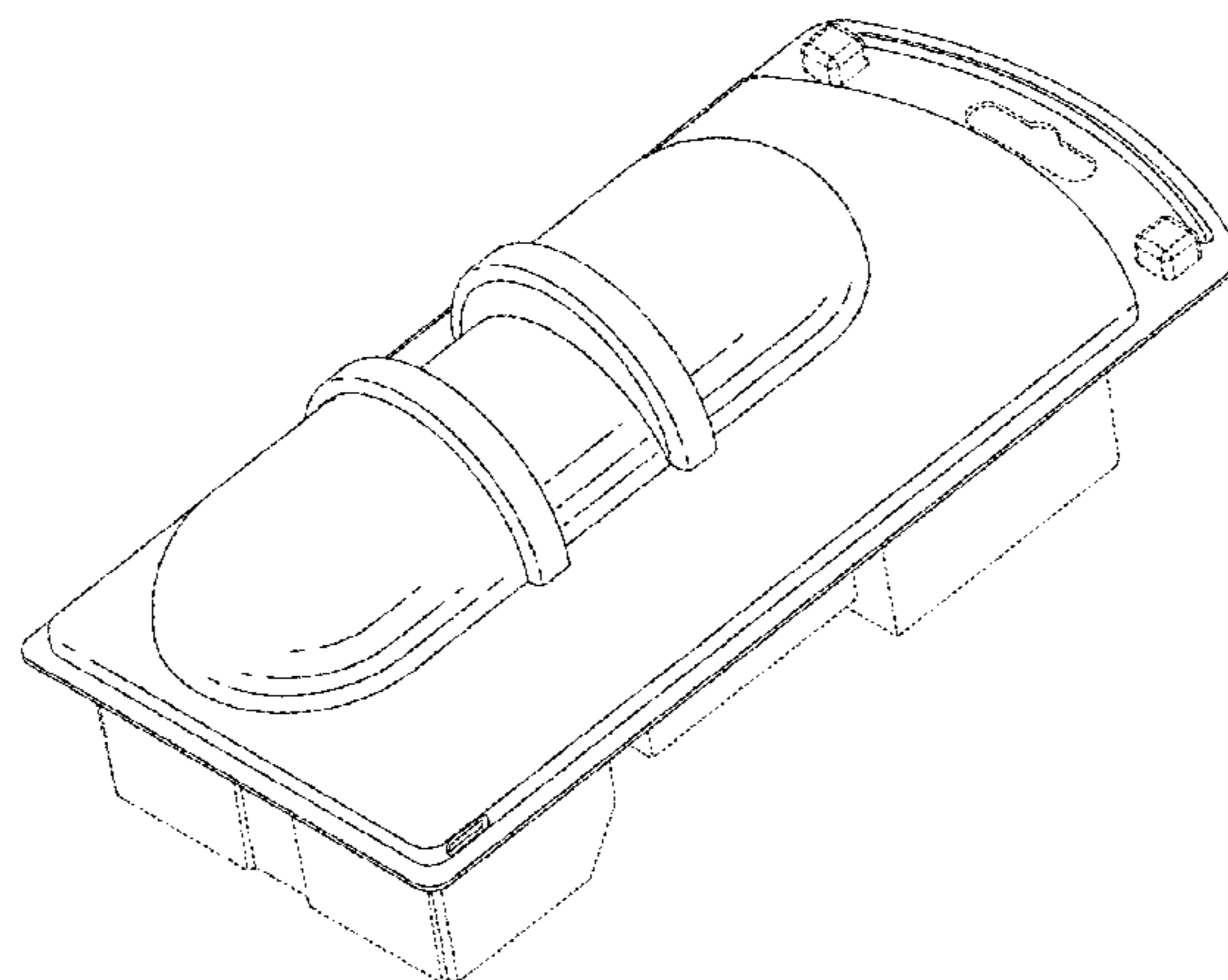
(56) **References Cited**  
U.S. PATENT DOCUMENTS  
D253,516 S \* 11/1979 Meierhoefer ..... D9/415  
5,176,258 A \* 1/1993 Antal ..... B65D 75/326  
206/438  
D399,736 S \* 10/1998 Flores ..... D9/415  
D406,056 S \* 2/1999 Flores ..... D9/415  
D437,216 S \* 2/2001 Saputo ..... D9/415  
D504,811 S \* 5/2005 Haingaertner ..... D9/415  
D519,026 S \* 4/2006 Shing ..... D9/415  
D601,009 S \* 9/2009 Shinn ..... D9/415  
D700,508 S \* 3/2014 Trontel ..... D9/415  
D715,639 S \* 10/2014 Sumiyoshi ..... D9/424  
D745,385 S \* 12/2015 Palsson ..... D9/415  
D747,963 S \* 1/2016 Scalise ..... D9/420  
D750,479 S \* 3/2016 Scalise ..... D9/420  
2007/0241019 A1 \* 10/2007 Crouchley ..... B65D 43/162  
206/471  
2008/0000786 A1 \* 1/2008 Collotta ..... B65D 51/28  
206/217

\* cited by examiner  
*Primary Examiner* — Derrick Holland  
*Assistant Examiner* — Lauren Calve  
(74) *Attorney, Agent, or Firm* — Winston Hsu; Scott Margo

(57) **CLAIM**  
The ornamental design for a packing case for lock devices, as shown and described.

**DESCRIPTION**  
FIG. 1 is a front perspective view of a packing case for lock devices showing our new design;  
FIG. 2 is a front elevational view thereof;  
FIG. 3 is a rear elevational view thereof;  
FIG. 4 is a left side elevational view thereof;  
FIG. 5 is a right side elevational view thereof;  
FIG. 6 is a top plan view thereof; and,  
FIG. 7 is a bottom plan view thereof.  
The broken lines shown represent unclaimed subject matter and form no part of the claimed design.

**1 Claim, 7 Drawing Sheets**



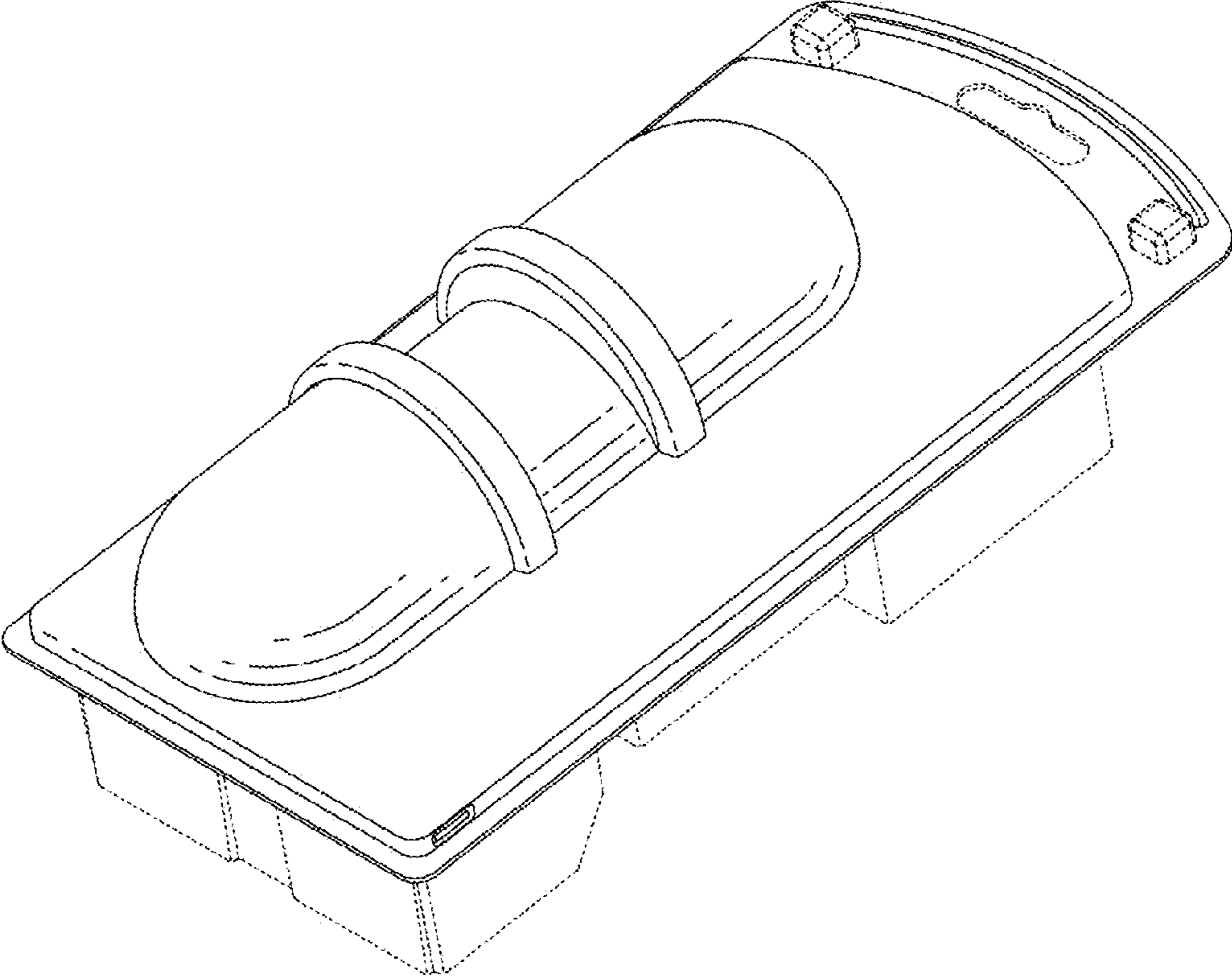


FIG. 1

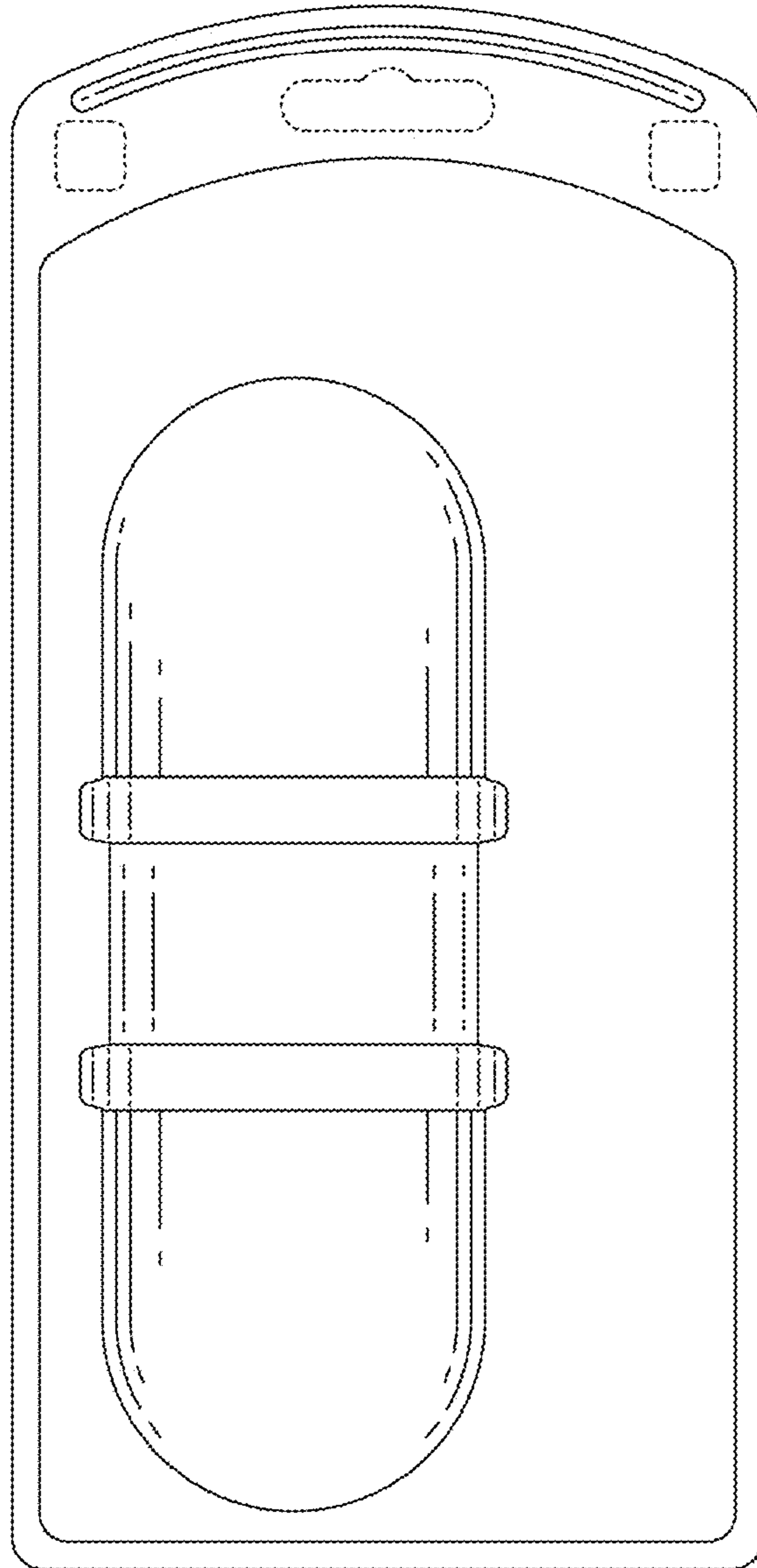


FIG. 2

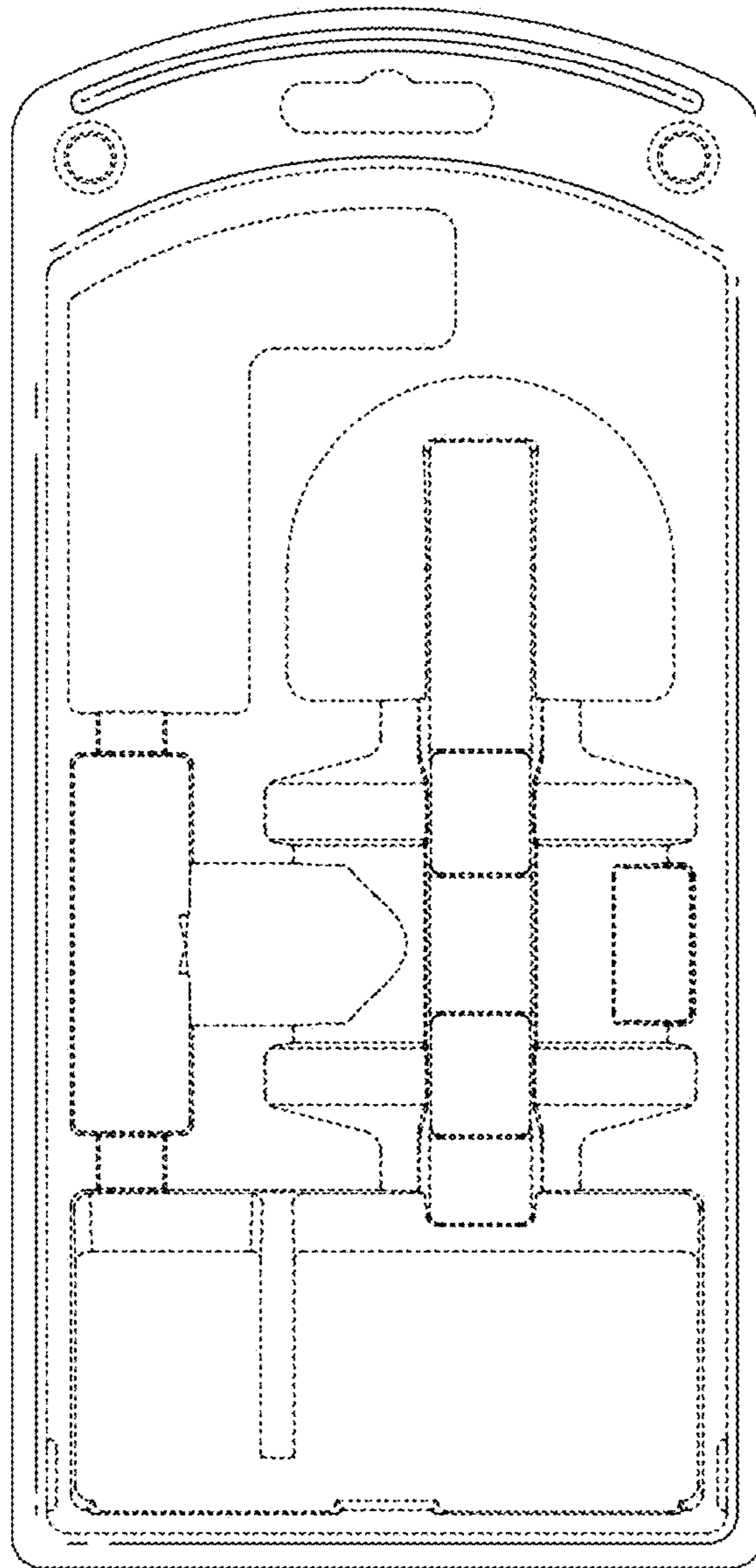


FIG. 3

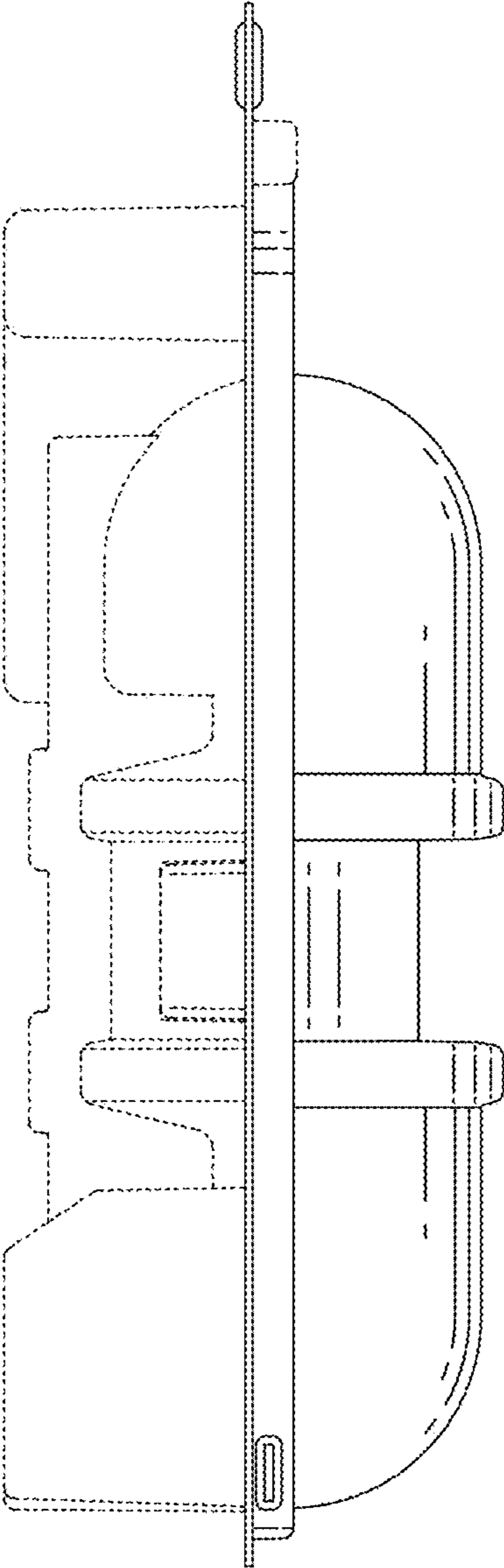


FIG. 4

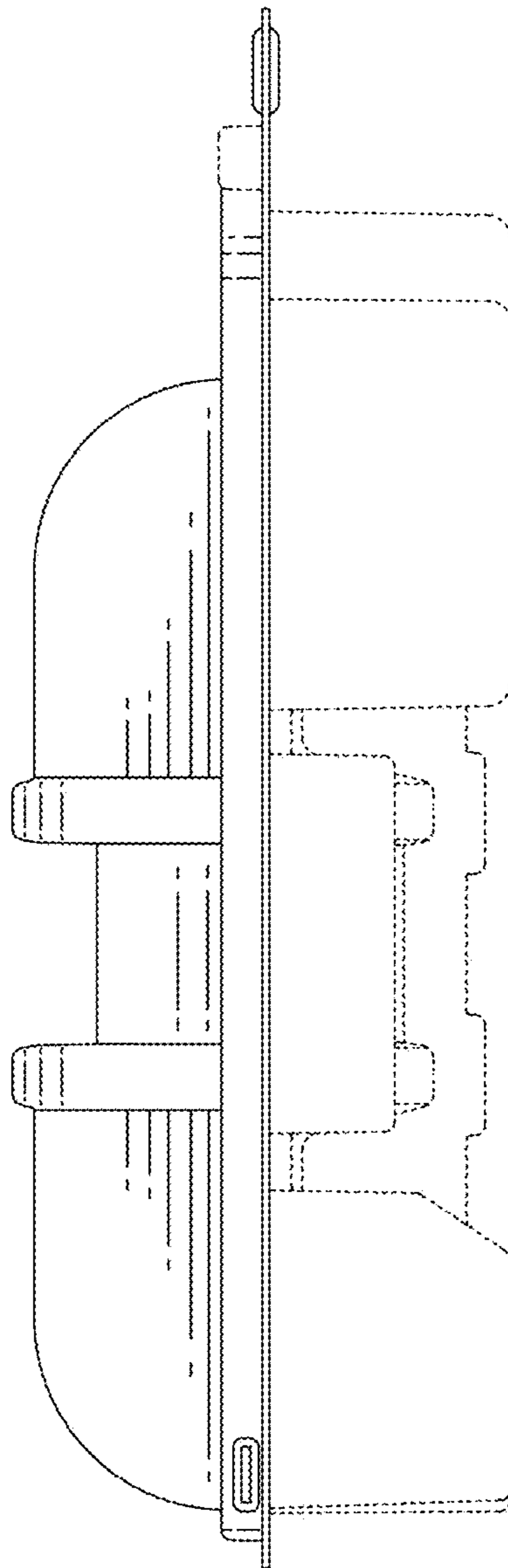


FIG. 5

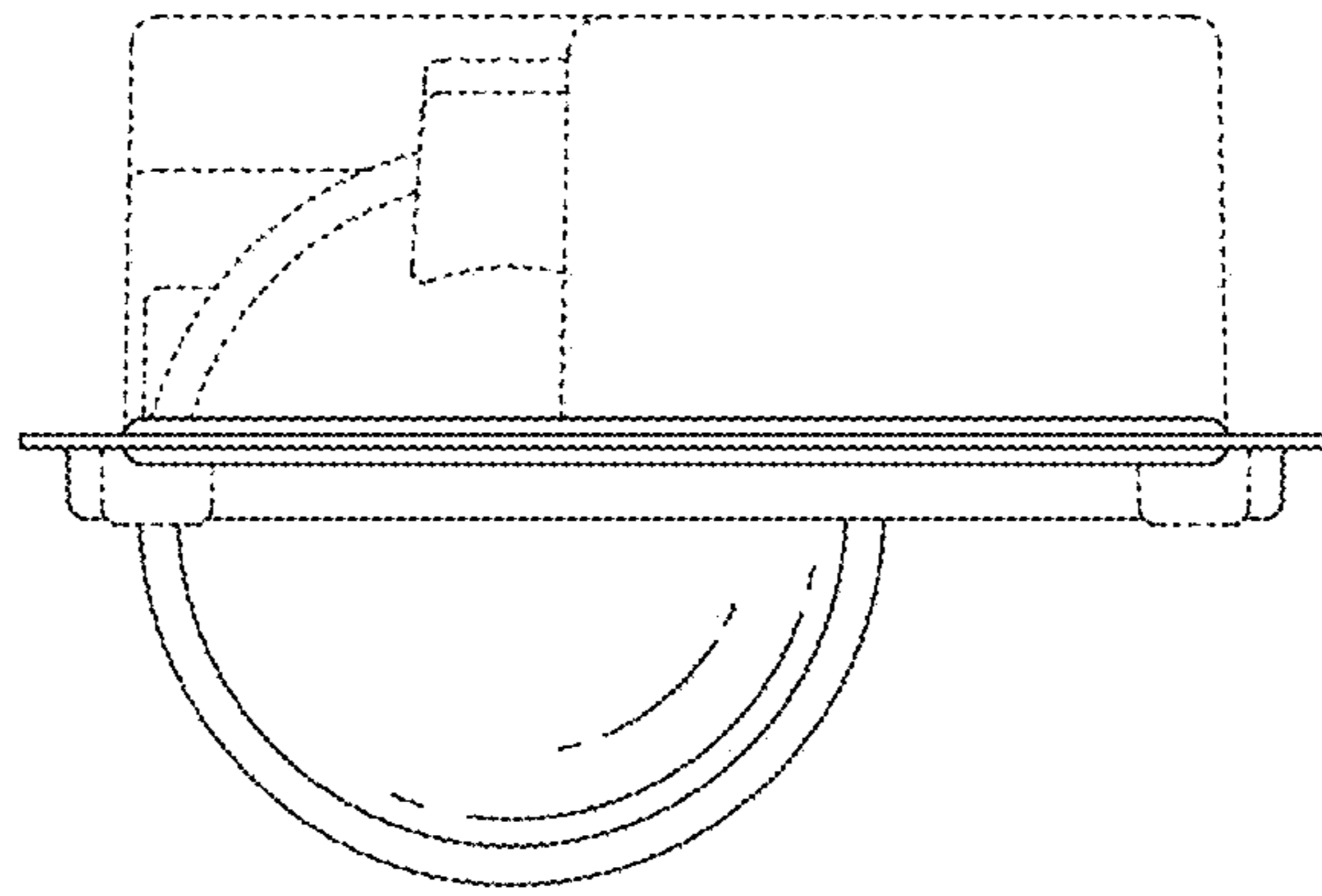


FIG. 6

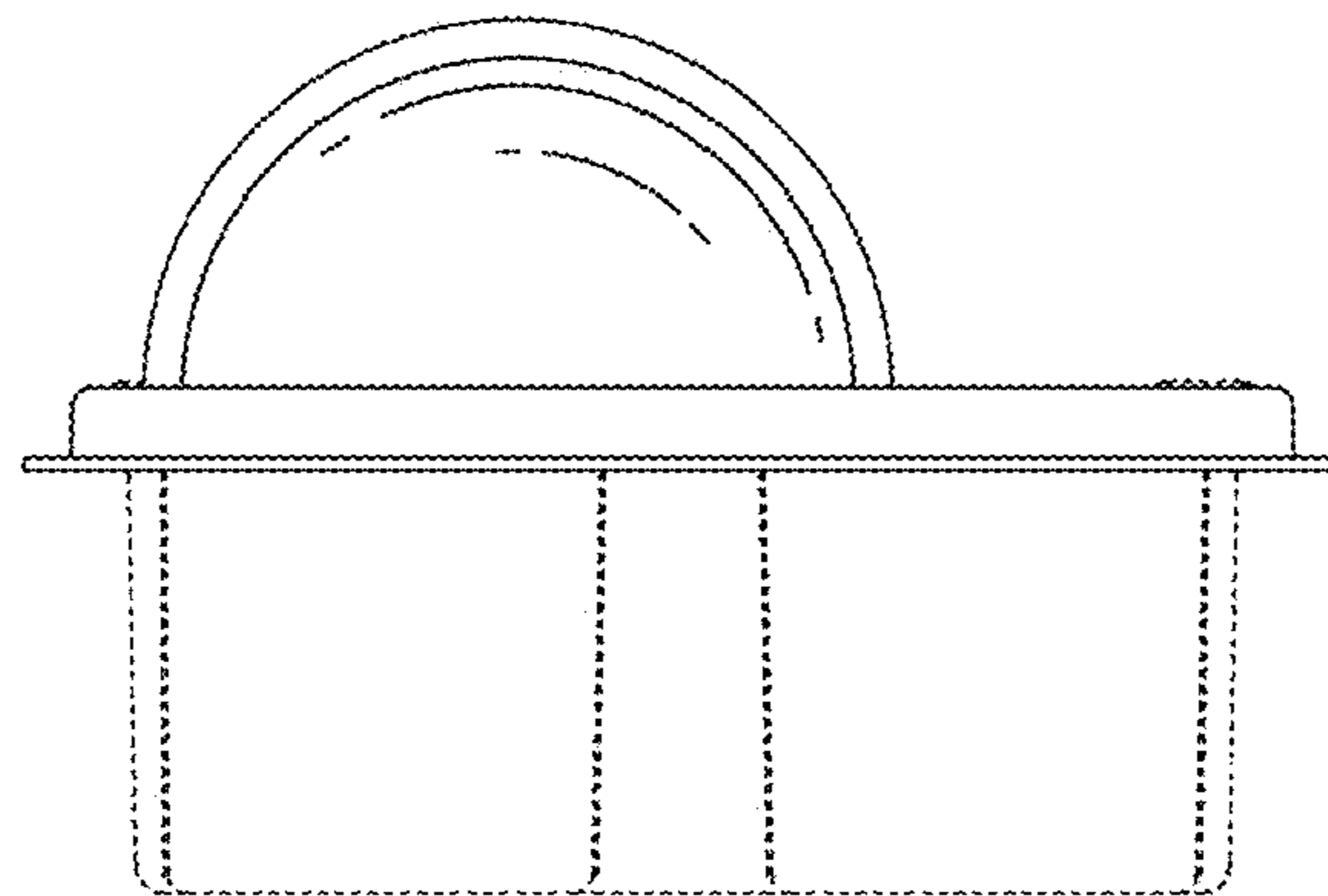


FIG. 7