

US00D767987S

(12) **United States Design Patent**  
**Wu et al.**

(10) **Patent No.:** **US D767,987 S**  
(45) **Date of Patent:** **\*\* Oct. 4, 2016**

(54) **PACKING CASE FOR LOCK DEVICES**

1/0207; B65D 81/3205; B65D 2519/00288;  
B65D 2519/00034; B65D 2519/00069;  
B65D 25/08; B65D 1/24; B65D 2519/00174;  
B65D 2519/00268; B65D 2519/00318;  
B65D 77/003; B65D 2519/00208

(71) Applicant: **TAIWAN FU HSING INDUSTRIAL CO., LTD.**, Kaohsiung (TW)

See application file for complete search history.

(72) Inventors: **Wen-Fa Wu**, Kaohsiung (TW);  
**Chiao-Chin Lu**, Kaohsiung (TW)

(56) **References Cited**

(73) Assignee: **TAIWAN FU HSING INDUSTRIAL CO., LTD.**, Kaohsiung (TW)

U.S. PATENT DOCUMENTS

(\*\*) Term: **15 Years**

4,840,276 A \* 6/1989 George ..... B65D 85/36  
206/499  
D330,855 S \* 11/1992 Demopoulos ..... D9/415  
5,176,258 A \* 1/1993 Antal ..... B65D 75/326  
206/438

(21) Appl. No.: **29/530,311**

(22) Filed: **Jun. 16, 2015**

(Continued)

(30) **Foreign Application Priority Data**

*Primary Examiner* — Derrick Holland

May 12, 2015 (TW) ..... 104302534

*Assistant Examiner* — Lauren Calve

(51) **LOC (10) Cl.** ..... **09-03**

(74) *Attorney, Agent, or Firm* — Winston Hsu; Scott Margo

(52) **U.S. Cl.**

USPC ..... **D9/424**; D9/415

(57) **CLAIM**

(58) **Field of Classification Search**

The ornamental design for a packing case for lock devices, as shown and described.

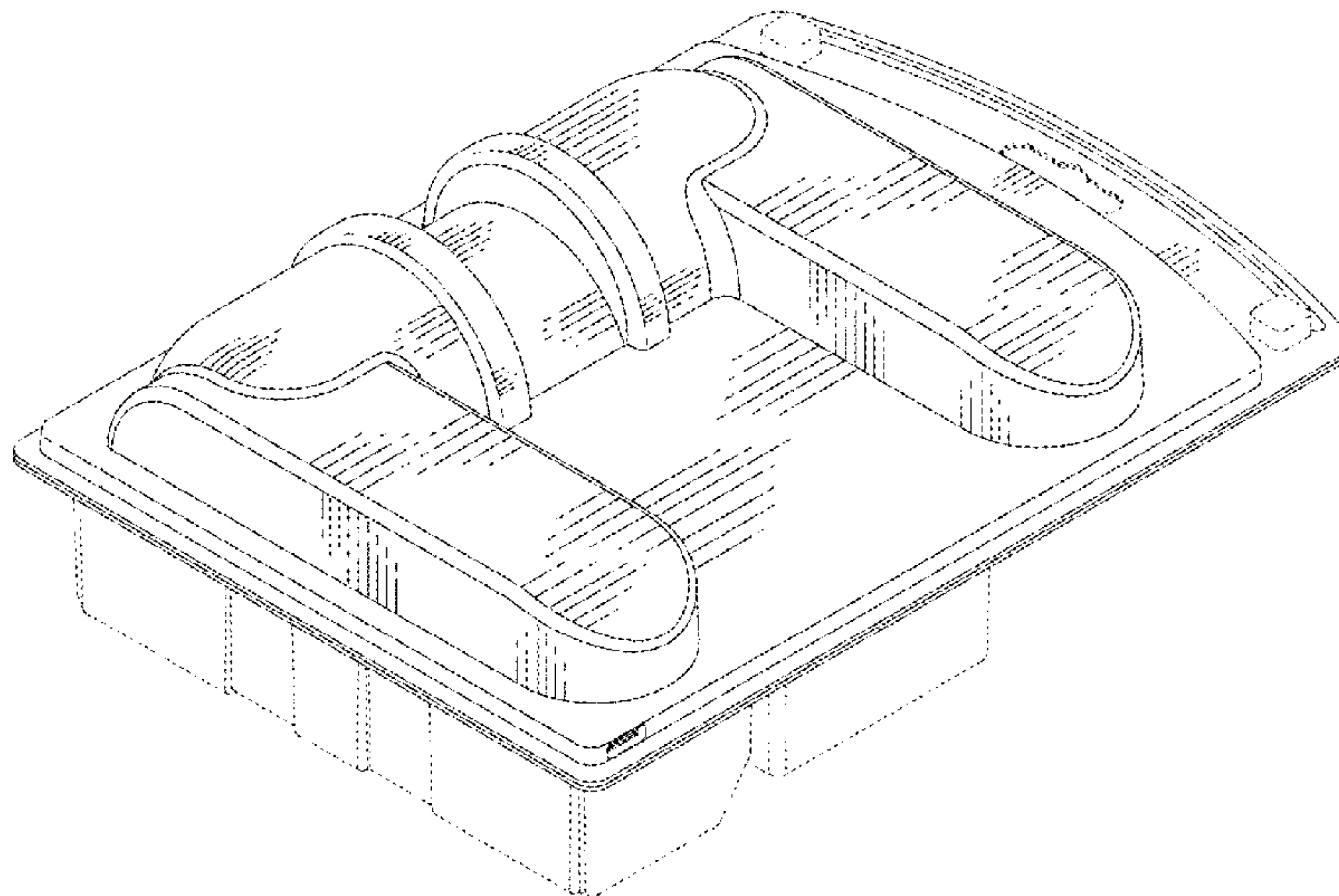
USPC ..... D9/414, 415, 423, 424, 425, 430, 737;  
D7/400, 553.1, 553.2, 554.3, 545, 555,  
D7/601, 602, 629, 630; 220/62.12, 200,  
220/213, 315, 318, 500, 553, 554, 555, 556,  
220/557, 660, 669, 675, 676, 677, 780, 796,  
220/810; 426/106, 112, 115

**DESCRIPTION**

CPC ..... B65D 2543/00296; B65D 2543/00092;  
B65D 85/8043; B65D 43/0212; B65D  
1/0223; B65D 2543/00509; B65D  
2543/00731; B65D 79/005; B65D 25/04;  
B65D 2543/00805; B65D 1/36; B65D 85/72;  
B65D 1/34; B65D 81/3453; B65D 51/20;  
B65D 2543/00027; B65D 2543/00648;  
B65D 2543/00972; B65D 85/73; B65D  
2543/00416; B65D 2543/00694; B65D 25/00;  
B65D 81/3216; B65D 2543/00759; B65D

FIG. 1 is a front perspective view of a packing case for lock devices showing our new design;  
FIG. 2 is a front elevational view thereof;  
FIG. 3 is a rear elevational view thereof;  
FIG. 4 is a left side elevational view thereof;  
FIG. 5 is a right side elevational view thereof;  
FIG. 6 is a top plan view thereof; and,  
FIG. 7 is a bottom plan view thereof.  
The broken lines shown represent unclaimed subject matter and form no part of the claimed design.

**1 Claim, 7 Drawing Sheets**



(56)

References Cited

U.S. PATENT DOCUMENTS

5,785,174	A *	7/1998	Chow	.....	B65D 73/0064		
					206/349		
D437,216	S *	2/2001	Saputo	.....	D9/415		
D504,811	S *	5/2005	Haingaertner	.....	D9/415		
D506,130	S *	6/2005	Metaxatos	.....	D9/415		
D642,048	S *	7/2011	Ocampo	.....	D9/424		
D700,508	S *	3/2014	Trontel	.....	D9/415		
D715,639	S *	10/2014	Sumiyoshi	.....	D9/424		
D735,407	S *	7/2015	Gerhards	.....	D28/8.1		
D745,385	S *	12/2015	Palsson	.....	D9/415		
D747,963	S *	1/2016	Scalise	.....	D9/420		
D750,479	S *	3/2016	Scalise	.....	D9/420		
2007/0241019	A1 *	10/2007	Crouchley	.....	B65D 43/162		
					206/471		
2010/0105596	A1 *	4/2010	Wiedemann	.....	C11D 17/041		
					510/220		

\* cited by examiner

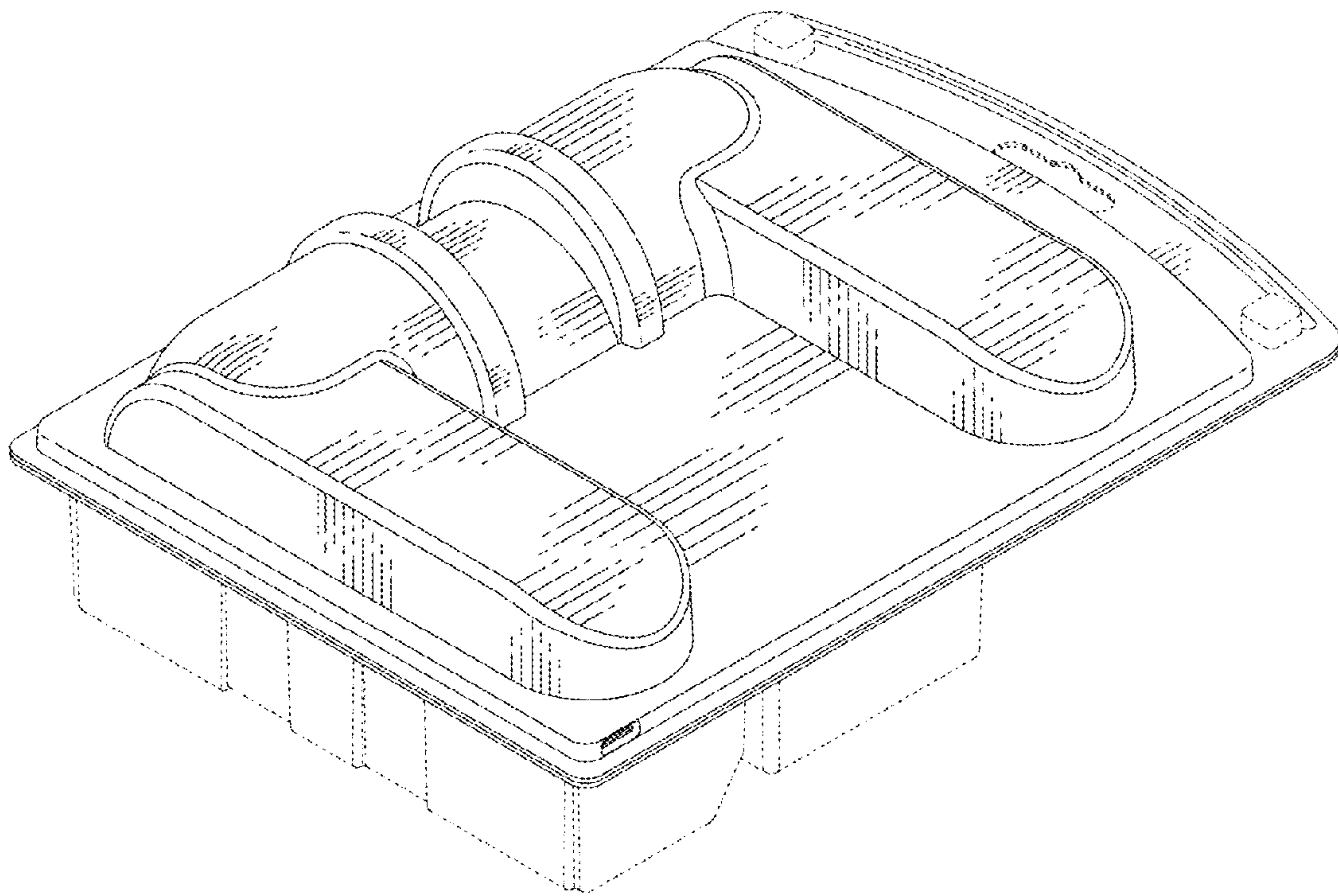


FIG. 1

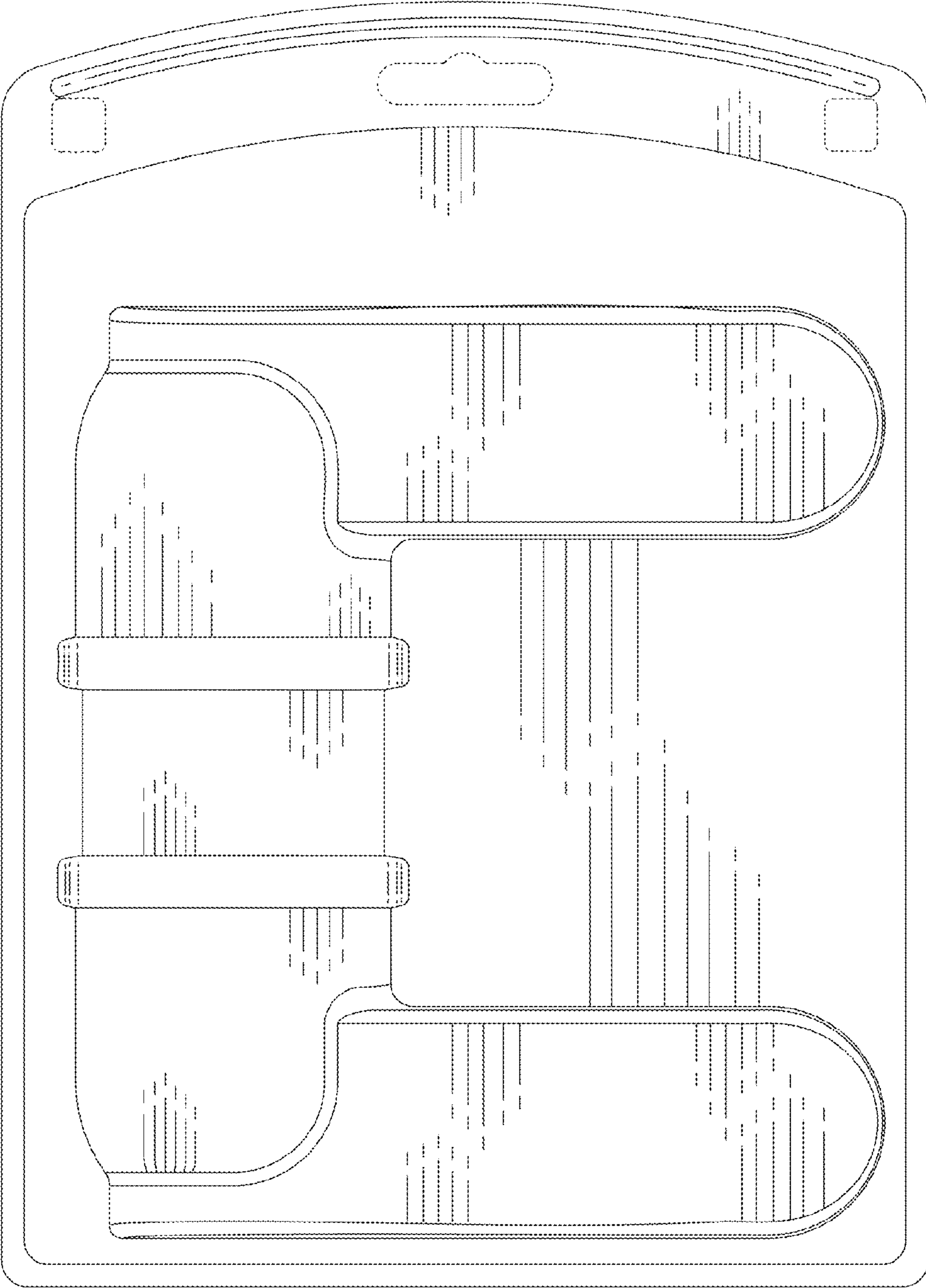


FIG. 2



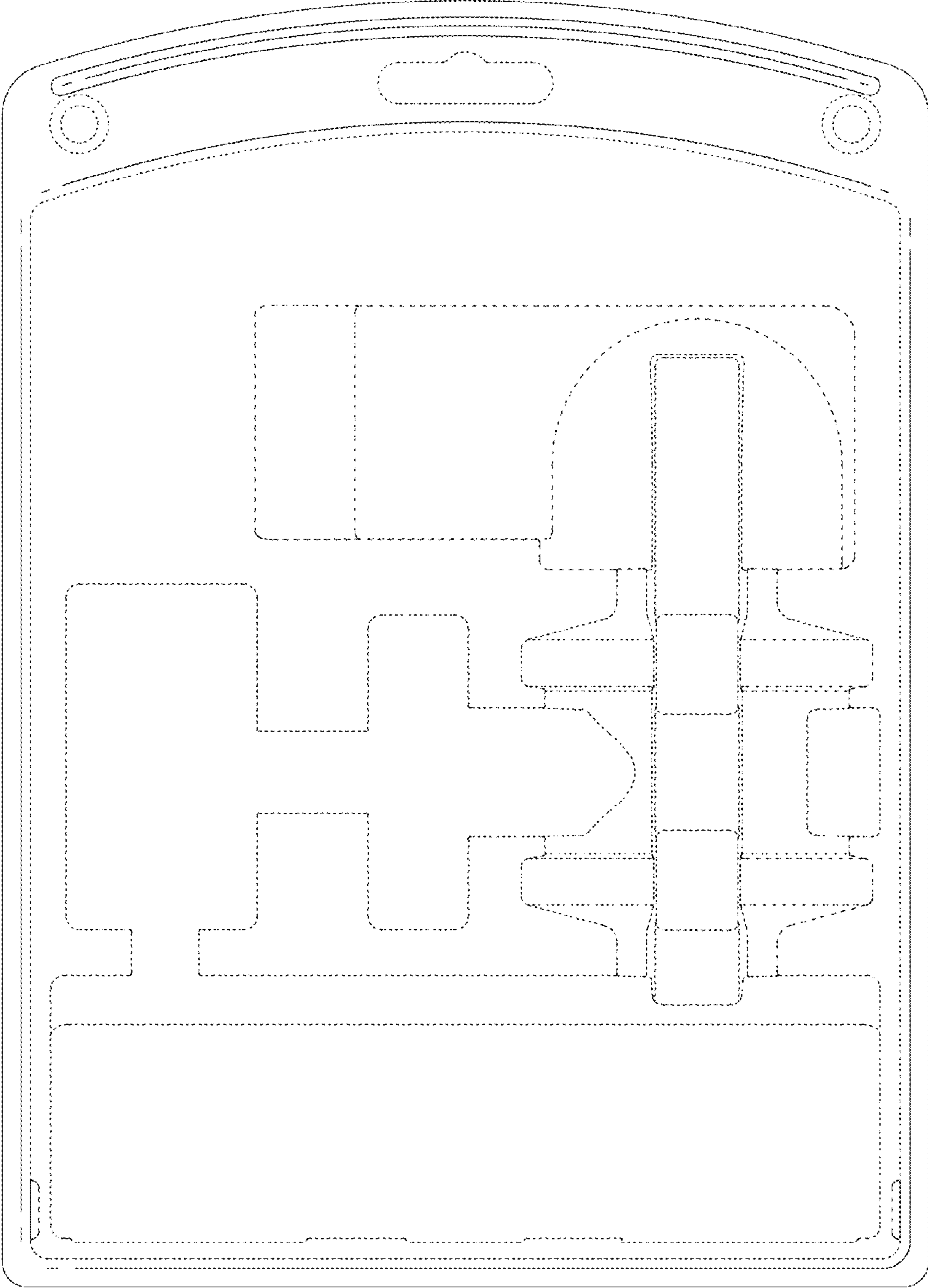


FIG. 3

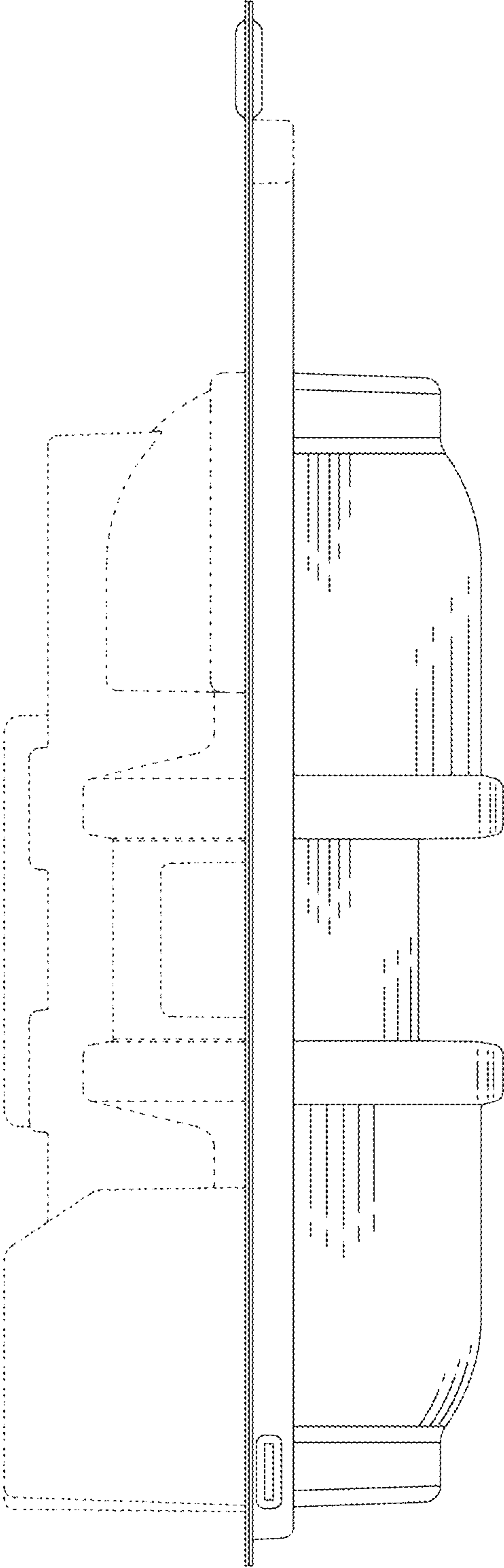


FIG. 4

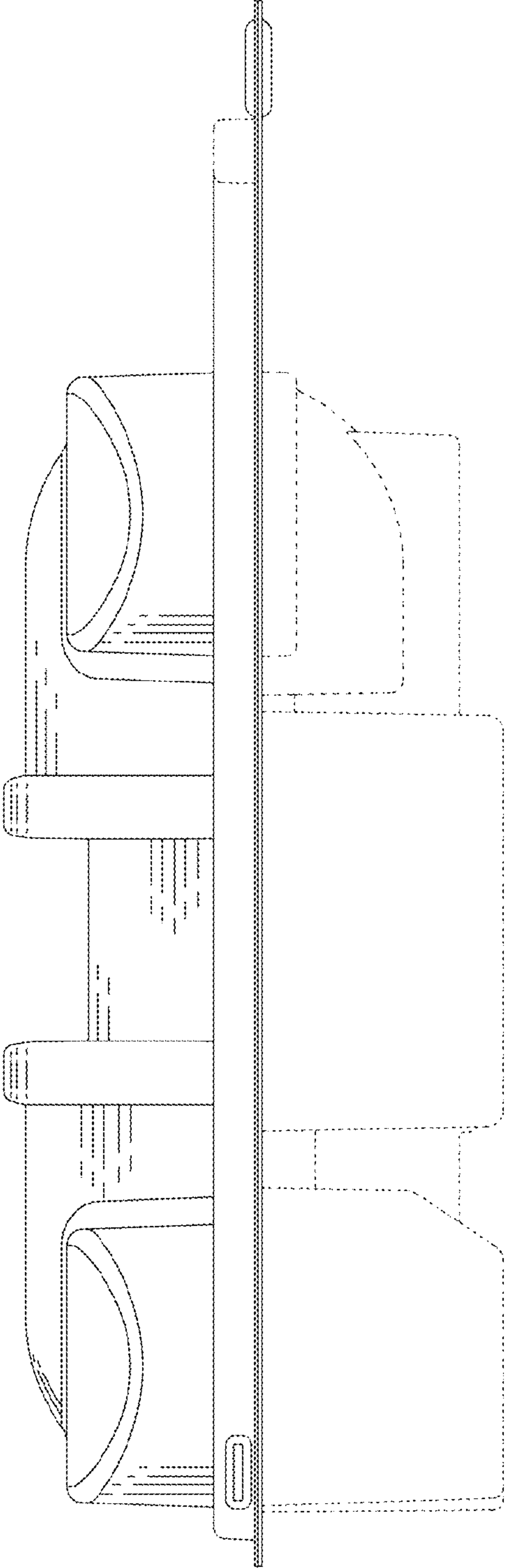


FIG. 5

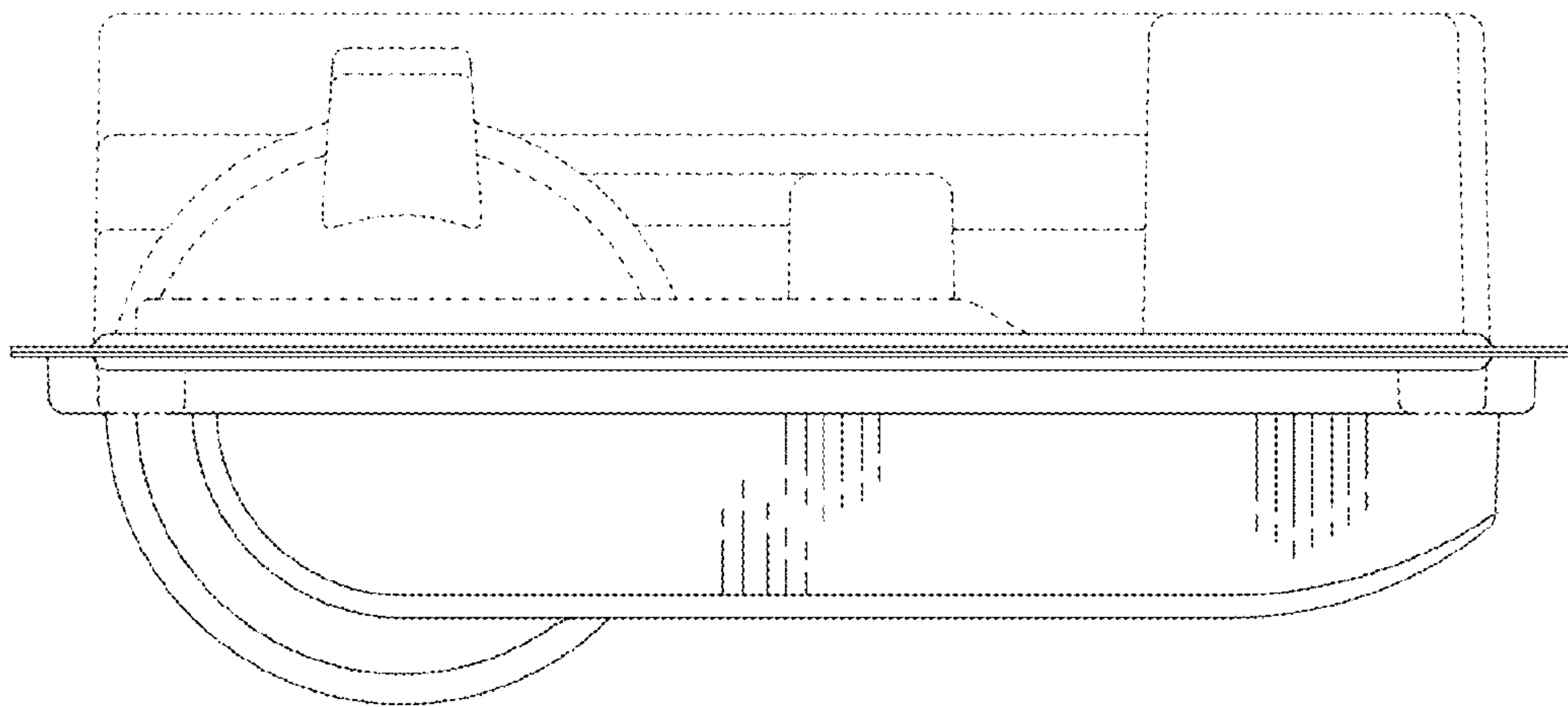


FIG. 6



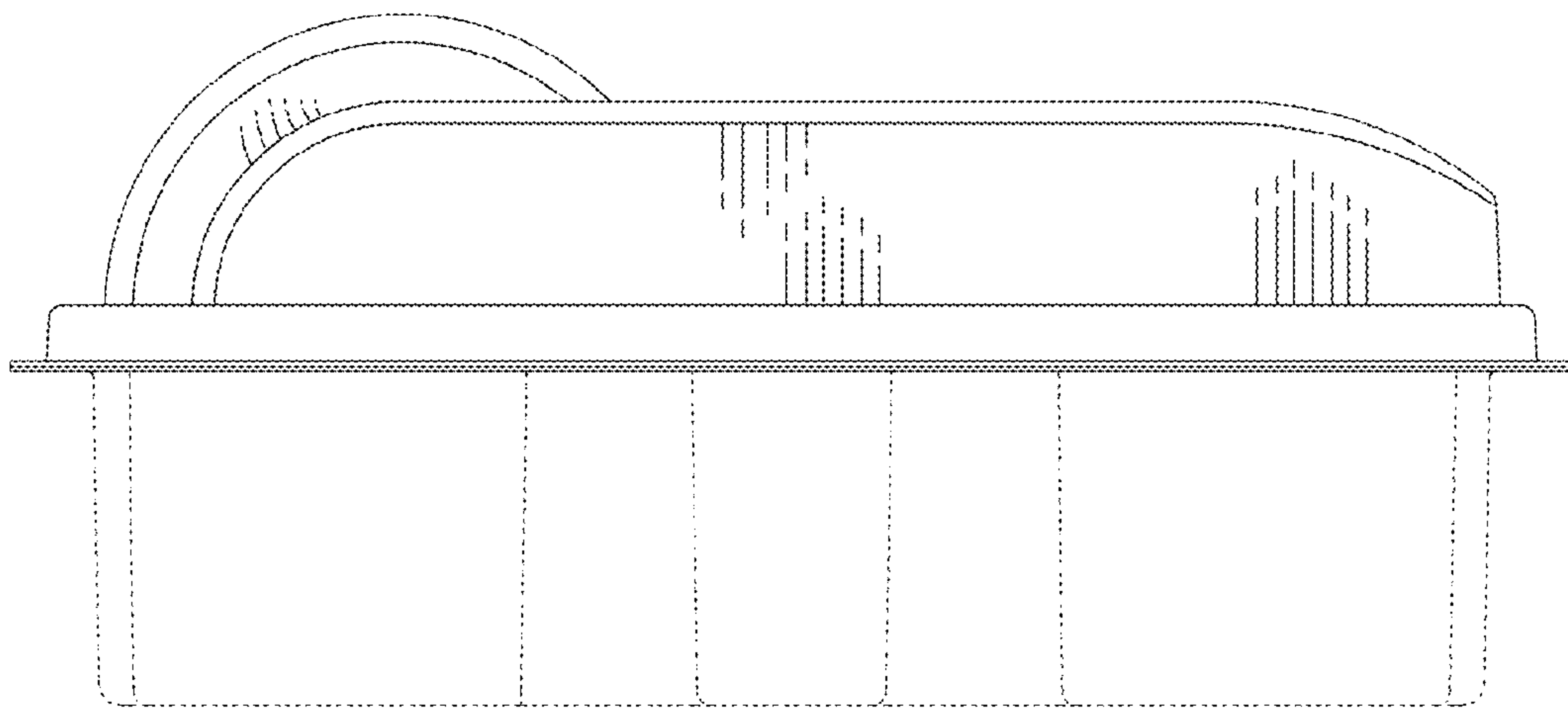


FIG. 7