

US00D767986S

(12) **United States Design Patent**  
**Epstein**

(10) **Patent No.:** **US D767,986 S**

(45) **Date of Patent:** **\*\* Oct. 4, 2016**

(54) **KIPPAH CASE WITH DOMED INSERT**

D482,924 S \* 12/2003 Fung ..... D3/270  
D484,353 S \* 12/2003 Tung ..... D3/270  
D484,731 S \* 1/2004 Tung ..... D3/270

(71) Applicant: **David H. Epstein**, Fort Lauderdale, FL  
(US)

(Continued)

(72) Inventor: **David H. Epstein**, Fort Lauderdale, FL  
(US)

**OTHER PUBLICATIONS**

(\*\*) Term: **14 Years**

Boom Earwear, available Jun. 23, 2015, [online], [site visited Nov. 10, 2015]. Available from internet, <URL: <http://techaeris.com/2015/06/23/boom-earwear-beone-earbuds-review-great-sound-cool-tricks/>>.\*

(Continued)

(21) Appl. No.: **29/515,769**

(22) Filed: **Jan. 27, 2015**

(51) **LOC (10) Cl.** ..... **09-03**

(52) **U.S. Cl.**  
USPC ..... **D9/420; D3/289**

(58) **Field of Classification Search**  
USPC ..... D9/414-416, 419, 420, 423, 444, 446,  
D9/454, 432, 426; D3/318, 232, 242, 243,  
D3/269, 270, 273, 276, 289, 301; D28/76,  
D28/78, 82, 83, 91; D6/632-635, 407;  
206/307, 307.1, 308.1, 312  
CPC ..... A45C 1/02; B60R 7/088  
See application file for complete search history.

*Primary Examiner* — Cathron Brooks  
*Assistant Examiner* — Teddy Falloway  
(74) *Attorney, Agent, or Firm* — Robert M. Schwartz

(57) **CLAIM**  
The ornamental design for a kippah case with domed insert, as shown and described.

**DESCRIPTION**

FIG. 1 is a front perspective view of a first embodiment of the kippah case with domed insert design with the case in a partially open position.

FIG. 2 is a front perspective view of the design with the case in a fully open position.

FIG. 3 is a top view of the design with the case in a fully open position.

FIG. 4 is a right side view of the design, with the case in a fully open position of the design. The left side view is a mirror image thereof.

FIG. 5 is a bottom view of the design with the case in a fully open position.

FIG. 6 is a front view of the design with the case in a fully open position; and,

FIG. 7 is a rear view of the design with the case in a fully open position.

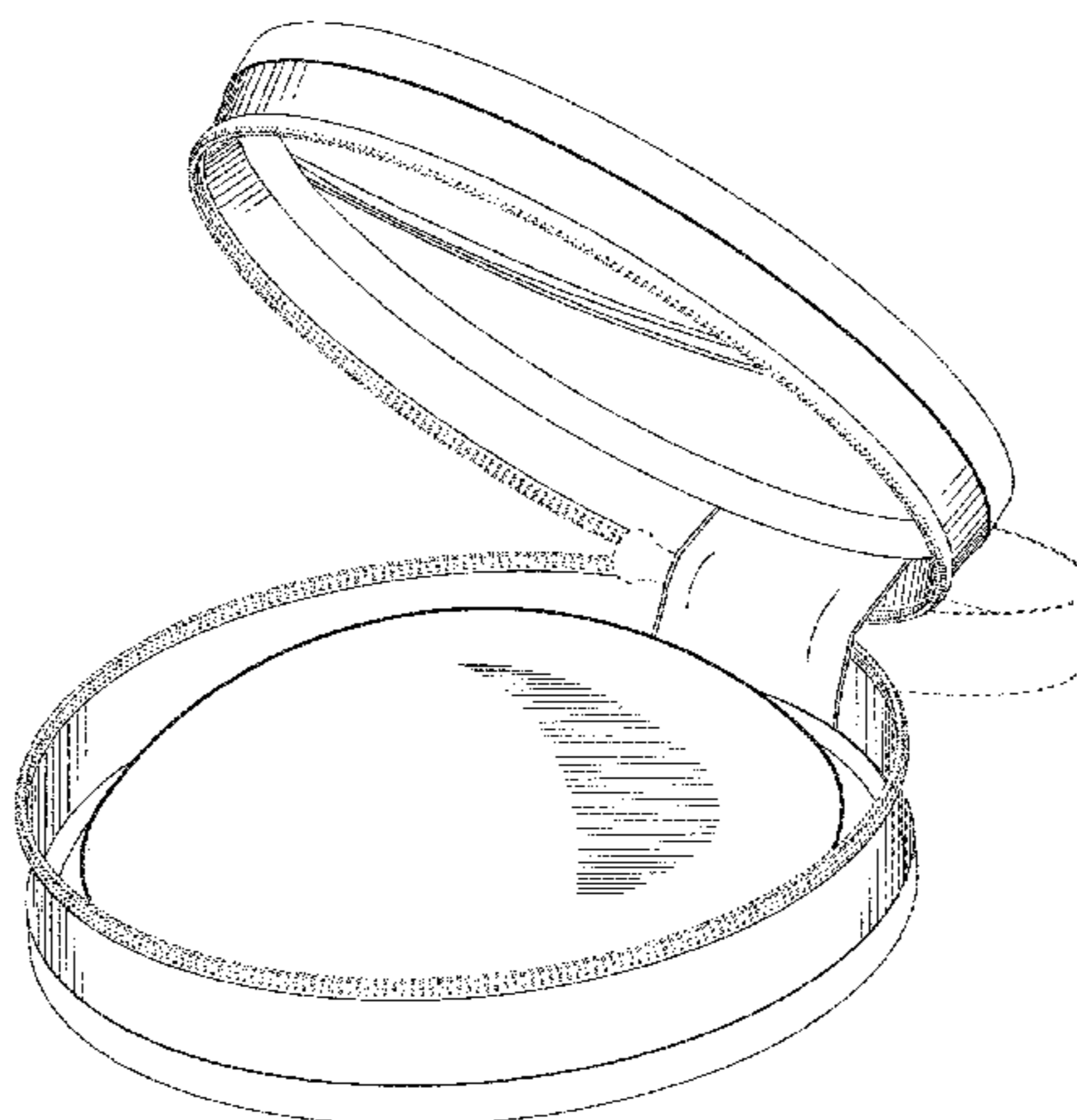
The broken lines showing a zipper pull and teeth, and interior strap and an exterior handle, are included for the purpose of illustrating portions of the kippah case with domed insert that form no part of the claimed design.

(56) **References Cited**

**U.S. PATENT DOCUMENTS**

D106,200 S \* 9/1937 Janer ..... D9/424  
2,470,367 A \* 5/1949 Palma ..... A45C 1/02  
150/106  
D252,173 S \* 6/1979 Woods ..... D3/229  
D383,620 S \* 9/1997 Smith ..... D6/407  
D408,285 S \* 4/1999 Favre ..... D28/76  
D426,772 S \* 6/2000 Kahl ..... D9/449  
D427,764 S \* 7/2000 Conway ..... D3/203.5  
D432,344 S \* 10/2000 Eskandry ..... D3/201  
D435,385 S \* 12/2000 Eskandry ..... D3/218  
6,186,321 B1 \* 2/2001 Eskandry ..... B60R 7/088  
206/308.1  
D459,880 S \* 7/2002 Tung ..... D3/271.9  
D467,729 S \* 12/2002 Vazquez ..... D3/238  
D477,961 S \* 8/2003 Tung ..... D3/270  
D478,239 S \* 8/2003 Tung ..... D3/270  
D478,240 S \* 8/2003 Tung ..... D3/270

**1 Claim, 4 Drawing Sheets**



(56)

**References Cited**

U.S. PATENT DOCUMENTS

D488,020 S \* 4/2004 Fung ..... D3/270  
 D489,529 S \* 5/2004 Vish ..... D3/218  
 D491,364 S \* 6/2004 Vish ..... D3/218  
 D511,895 S \* 11/2005 Vish ..... D3/318  
 D517,364 S \* 3/2006 Nieves ..... D6/407  
 D527,521 S \* 9/2006 Sijmons ..... D3/276  
 D555,351 S \* 11/2007 Sween ..... D3/201  
 D573,794 S \* 7/2008 Izen ..... D3/302  
 D581,195 S \* 11/2008 Wen ..... D19/28  
 D594,265 S \* 6/2009 Wen ..... D21/655  
 D604,085 S \* 11/2009 Wen ..... D21/616  
 D610,347 S \* 2/2010 Gilbert ..... D3/269  
 D627,225 S \* 11/2010 Gonzalez Sanchez ..... D9/449  
 D629,197 S \* 12/2010 Jusic ..... D3/273  
 D640,556 S \* 6/2011 Bragg ..... D9/449  
 D663,202 S \* 7/2012 Biesecker ..... D9/449  
 D664,840 S \* 8/2012 Jones ..... D9/423  
 D681,936 S \* 5/2013 Basas ..... D3/203.2

D711,250 S \* 8/2014 Henriksson ..... D9/504  
 D744,698 S \* 12/2015 Kalyanpur ..... D28/82  
 D746,514 S \* 12/2015 Lambridis ..... D28/4  
 2004/0188287 A1\* 9/2004 Molnar ..... A45C 11/24  
 206/311

OTHER PUBLICATIONS

Saw Blade Bag, available May 30, 2014, [online], [site visited Nov. 10, 2015]. Available from internet, <URL: <http://www.amazon.com/WoodRiver-10-Saw-Blade-Bag/dp/B003A04UKI>>.\*  
 Arctic Earbud Clamshell Case, available Feb. 23, 2013, [online], [site visited Nov. 10, 2015]. Available from internet, <URL: <http://www.amazon.com/ARCTIC-Clamshell-Case-Discontinued-Manufacturer/dp/B0057AKYQS>>.\*  
 Cosmos PU leather Earphone Earbuds Case, available Feb. 1, 2012, [online], [site visited Nov. 10, 2015]. Available from internet, <URL: <http://www.amazon.com/Cosmos-Earphone-earphones-Clamshell-Enclosure/dp/B0051SDRJW>>.\*

\* cited by examiner

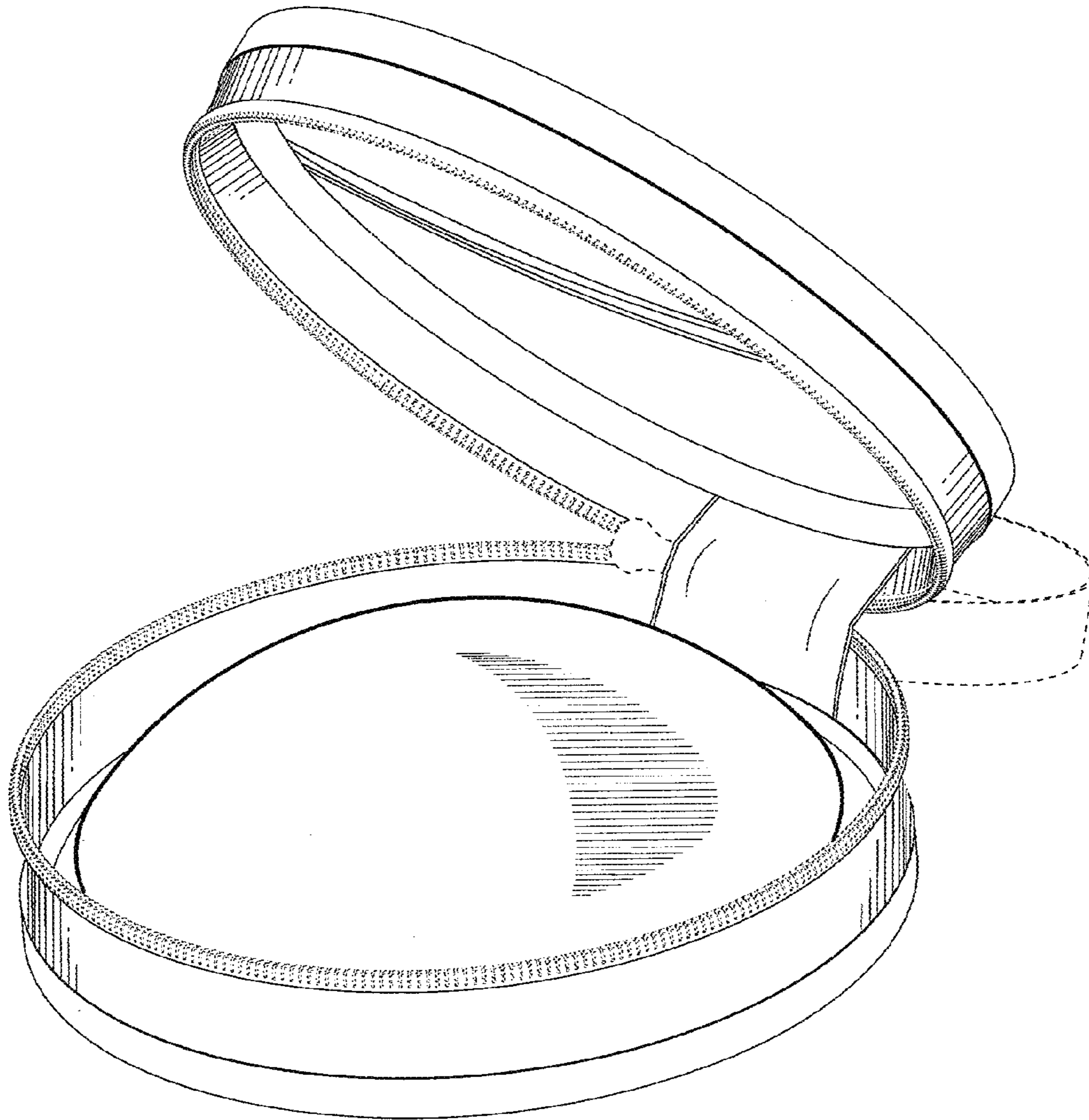


FIG. 1

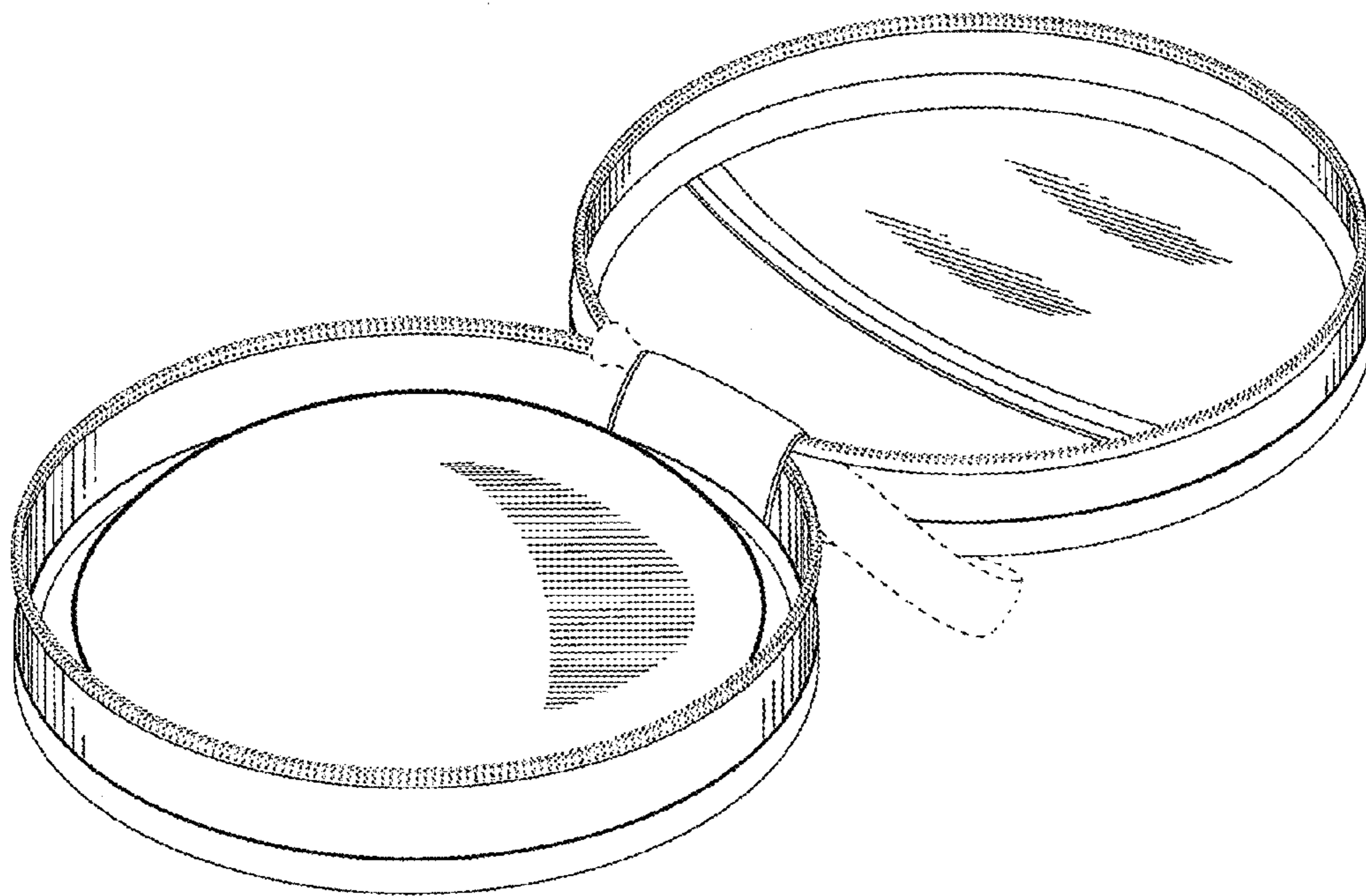


FIG. 2

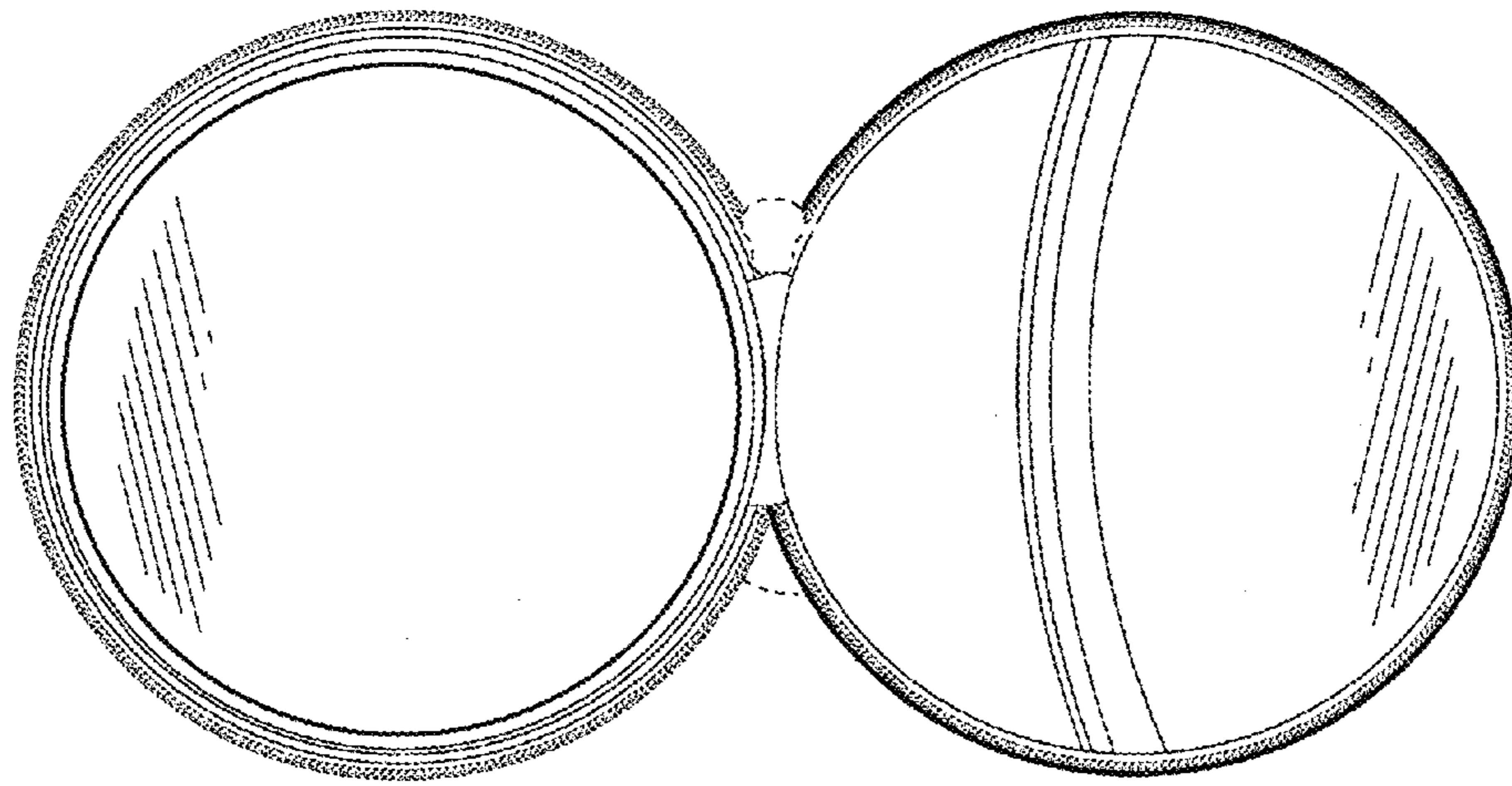


FIG. 3

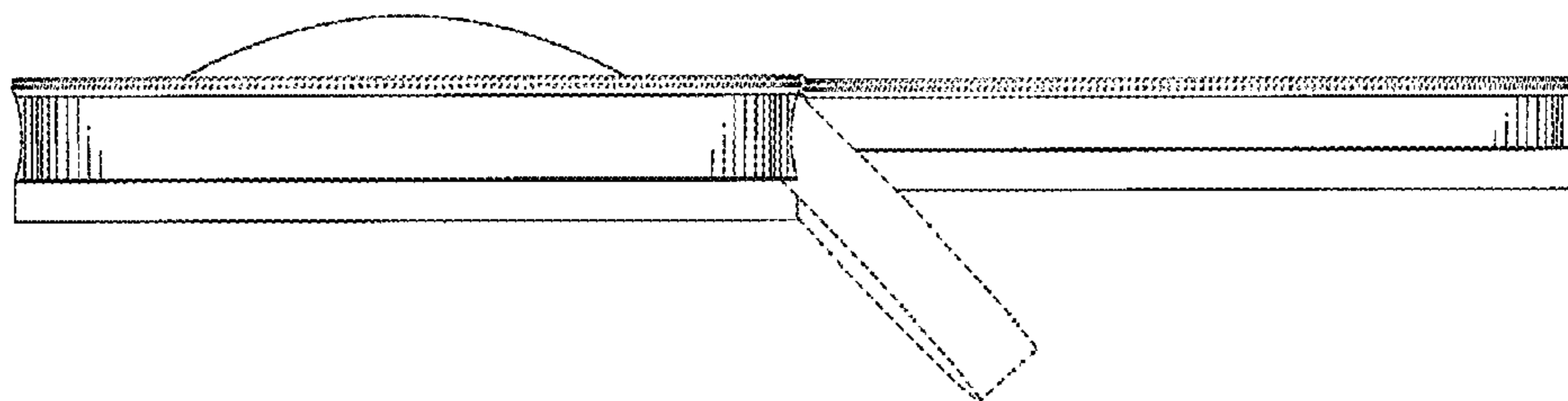


FIG. 4

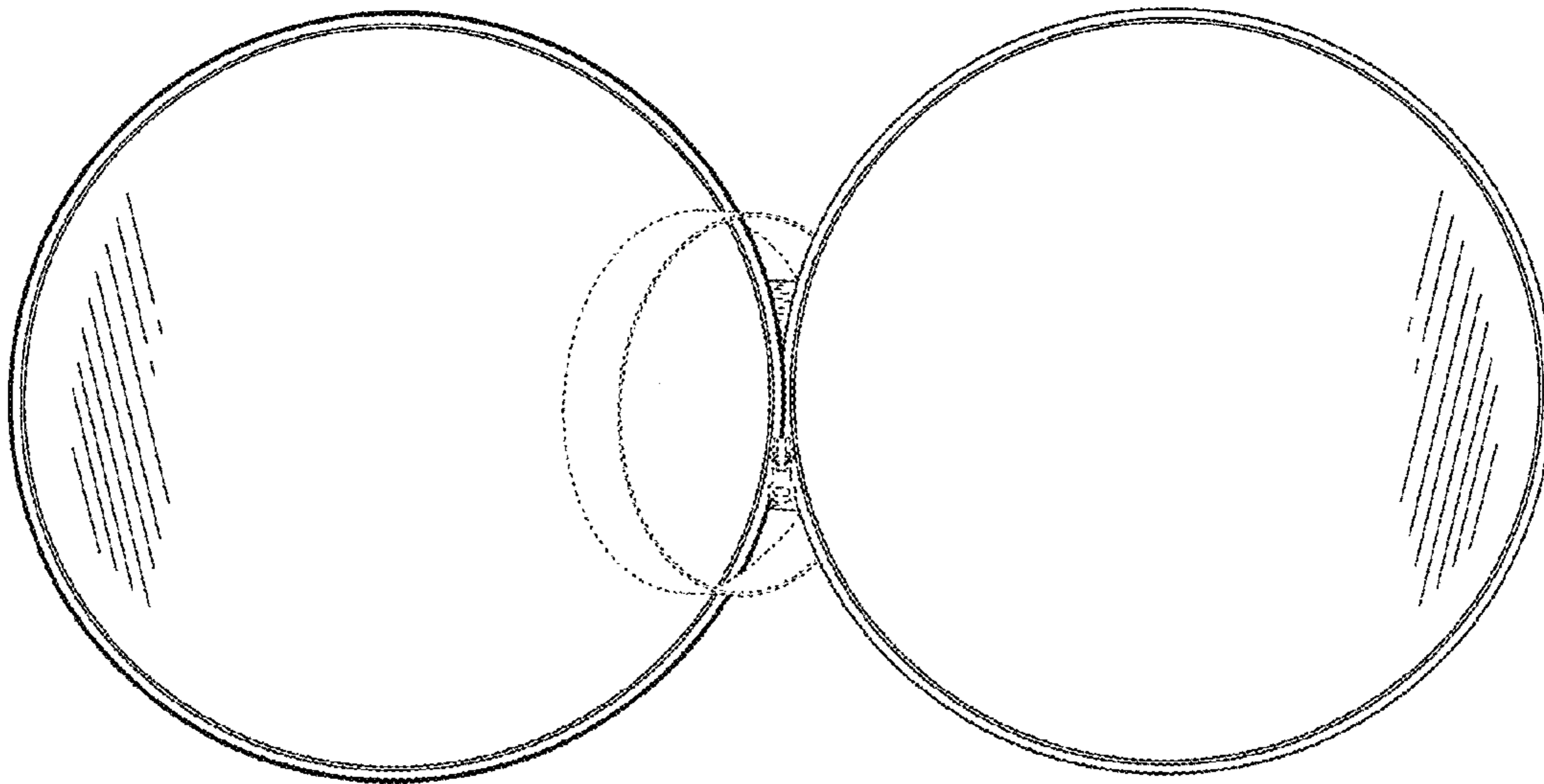


FIG. 5

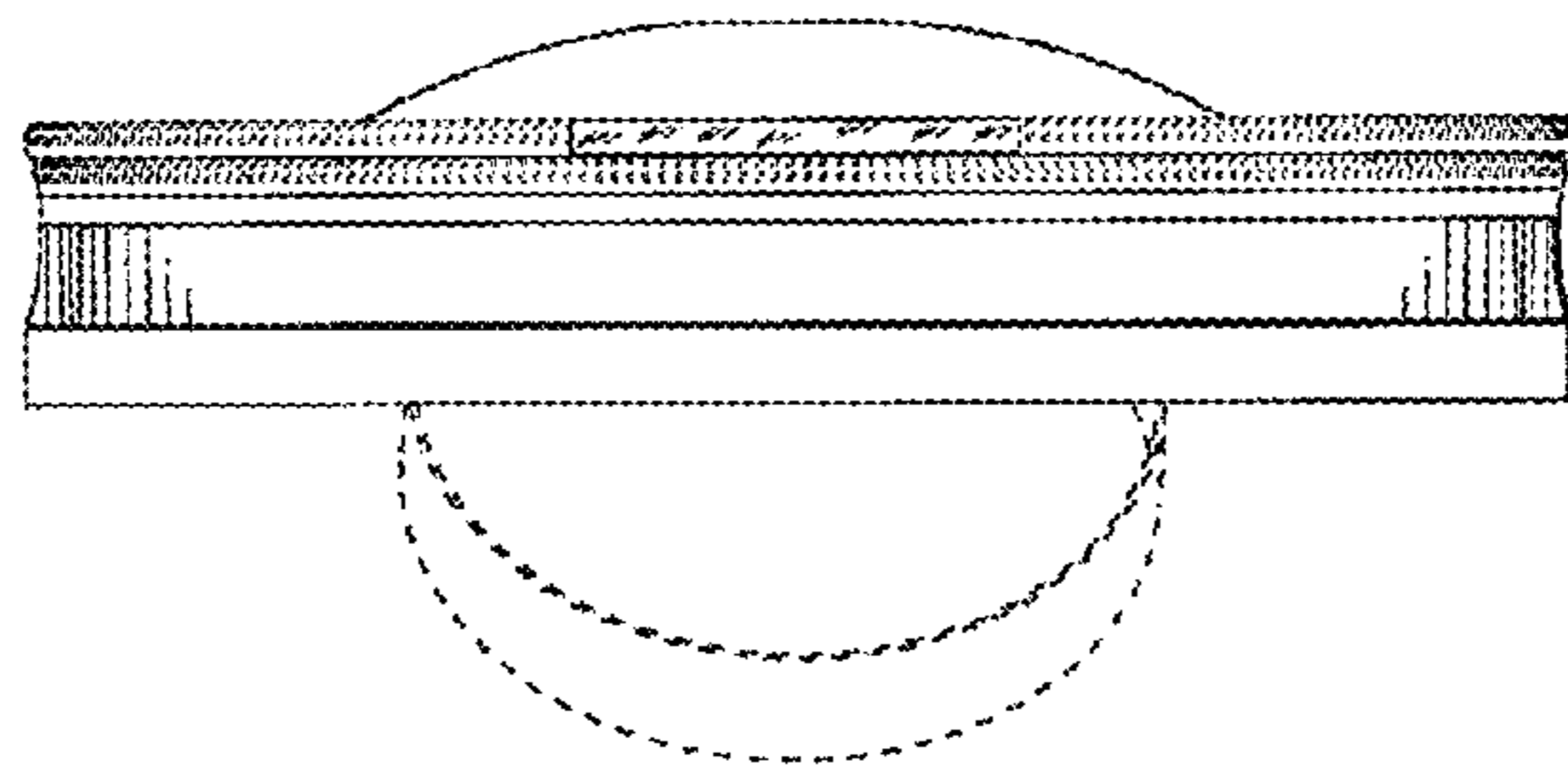


FIG. 6

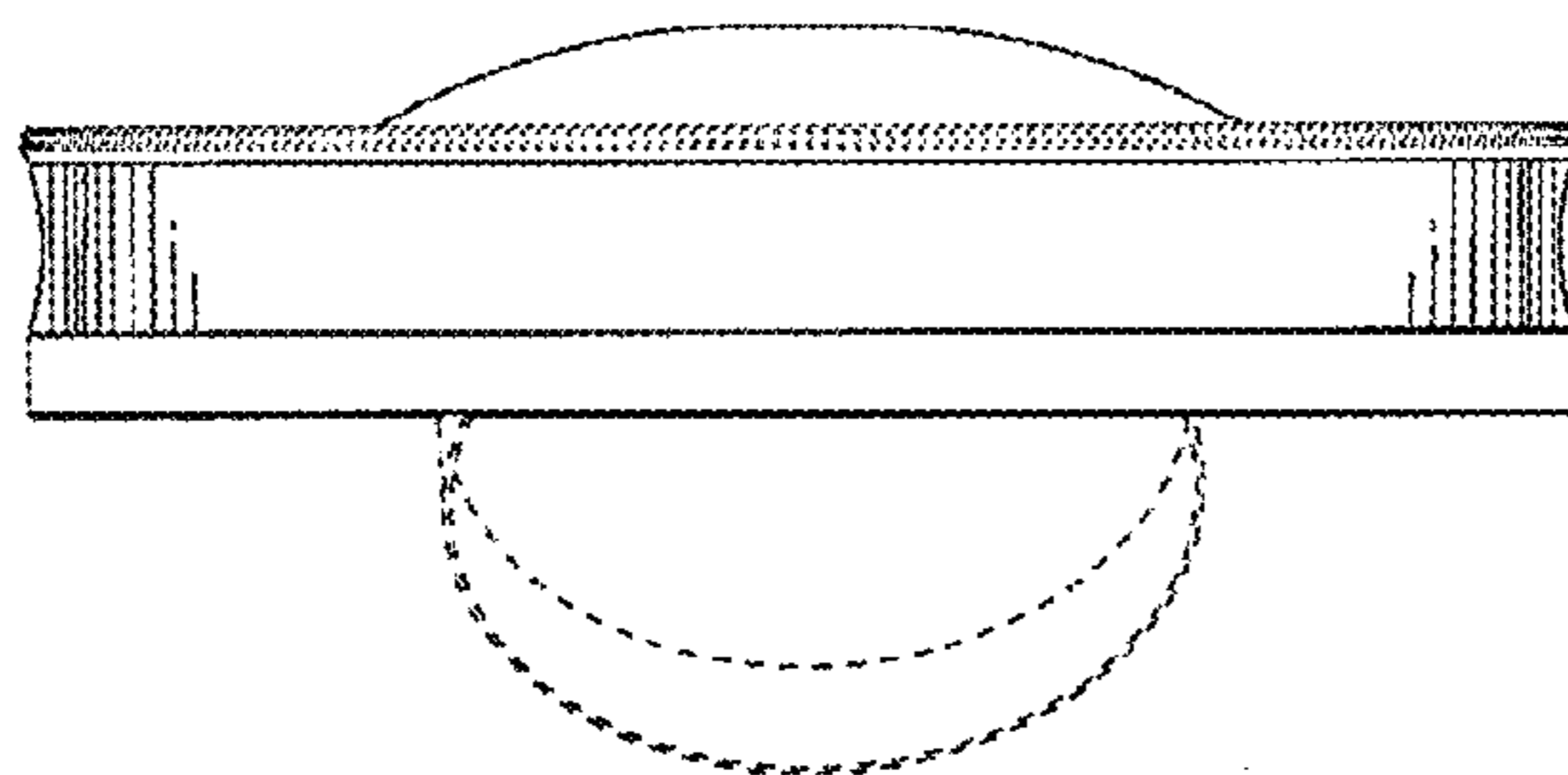


FIG. 7