

US00D767985S

(12) **United States Design Patent** (10) **Patent No.:** **US D767,985 S**
Schouten (45) **Date of Patent:** **** Oct. 4, 2016**

(54) **PACKAGED AUTOMOTIVE AIR FRESHENER**
(71) Applicant: **Hopkins Manufacturing Corporation**, Emporia, KS (US)
(72) Inventor: **Pieter Schouten**, Berkeley, CA (US)
(73) Assignee: **Hopkins Manufacturing Corporation**, Emporia, KS (US)

(**) Term: **14 Years**

(21) Appl. No.: **29/495,314**

(22) Filed: **Jun. 30, 2014**

(51) **LOC (10) Cl.** **09-99**

(52) **U.S. Cl.**
USPC **D9/415; D9/414; D9/457**

(58) **Field of Classification Search**
USPC D3/203.1–203.4, 211, 207, 904, 201, D3/203.2–203.4, 315, 265, 294, 302, 313, D3/318; D7/213, 359, 387, 614, 615; D9/414–418, 423, 435, 443, 448, 449, D9/450, 439, 457, 652, 685, 686, 715, 722, D9/732, 739, 748, 756, 759, 424, 427, 430, D9/432; D20/40, 42; D23/226, 368; 206/208, 228, 301, 352, 471, 536, 540; 220/4.22–4.23, 23.88, 353–360, 254.3, 220/254.7, 281, 283, 324, 376, 623, 796, 220/833, 835, 837–837, 8, 44
CPC B65D 5/00; B65D 5/001; B65D 5/0015; B65D 5/0254; B65D 5/0045; B65D 5/18; B65D 5/2033; B65D 5/38; B65D 5/40; B65D 1/225; B65D 1/24; B65D 1/34; B65D 1/38

See application file for complete search history.

(56) **References Cited**

U.S. PATENT DOCUMENTS

D262,865 S * 2/1982 Lecordier D9/415
5,188,231 A * 2/1993 Kivell B65D 75/54
206/459.1

D476,227 S * 6/2003 Pratt D9/415
D479,126 S * 9/2003 Kumakura D9/415
D480,301 S * 10/2003 Pratt D9/415
D511,452 S * 11/2005 Dibnah D9/415
D541,647 S * 5/2007 Ashby D9/415
D595,126 S * 6/2009 Marcinkowski D9/418
D703,551 S * 4/2014 Kirchmayr D9/424
D715,639 S * 10/2014 Sumiyoshi D9/424
D733,552 S * 7/2015 Whalen, Jr. D9/415
2010/0314279 A1* 12/2010 Hansen B65D 43/162
206/470
2011/0100845 A1* 5/2011 Meech B65D 75/366
206/232

OTHER PUBLICATIONS

Duo Odor Eliminator: Announced Jun. 4, 2014 [online], site visited [Sep. 28, 2015]. Available from Internet URL: <http://www.duosmartandfresh.com/>.*

* cited by examiner

Primary Examiner — Thomas Johannes
Assistant Examiner — Catherine Posthauer
(74) *Attorney, Agent, or Firm* — Bond Schoeneck & King, PLLC; George McGuire

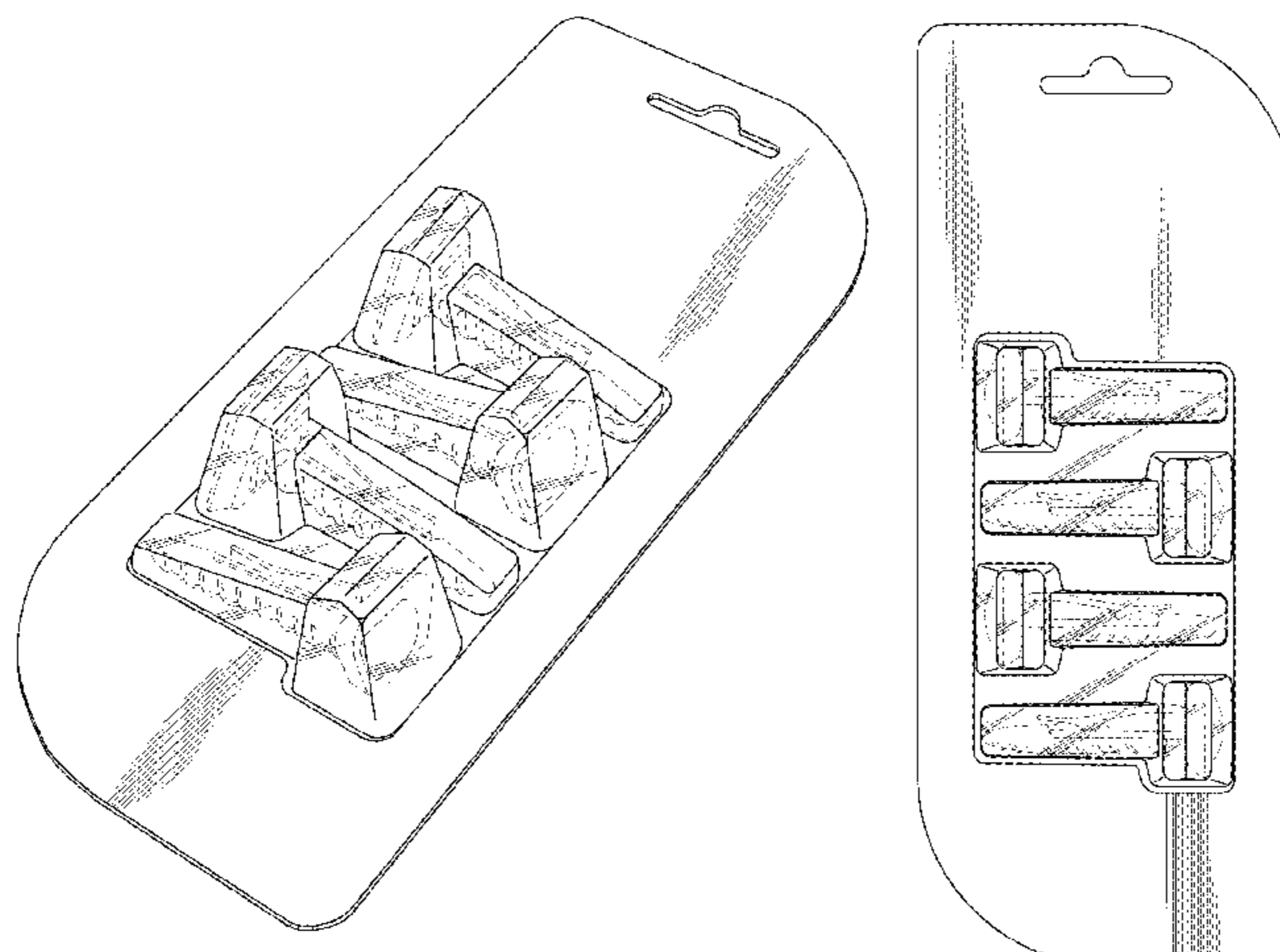
(57) **CLAIM**

The ornamental design for a packaged automotive air freshener, as shown and described.

DESCRIPTION

FIG. 1 is a perspective view of a packaged automotive air freshener;
FIG. 2 is a front elevation view thereof;
FIG. 3 is a first side elevation view thereof;
FIG. 4 is a second side elevation view thereof;
FIG. 5 is a top plan view thereof;
FIG. 6 is a bottom plan view thereof; and,
FIG. 7 is a rear elevation view thereof.
The broken lines in FIGS. 1-6 are shown for the purpose of illustrating parts of the article that form no part of the claimed design. The broken lines of FIG. 7 represent perforations in the surface that form part of the claimed design.

1 Claim, 2 Drawing Sheets



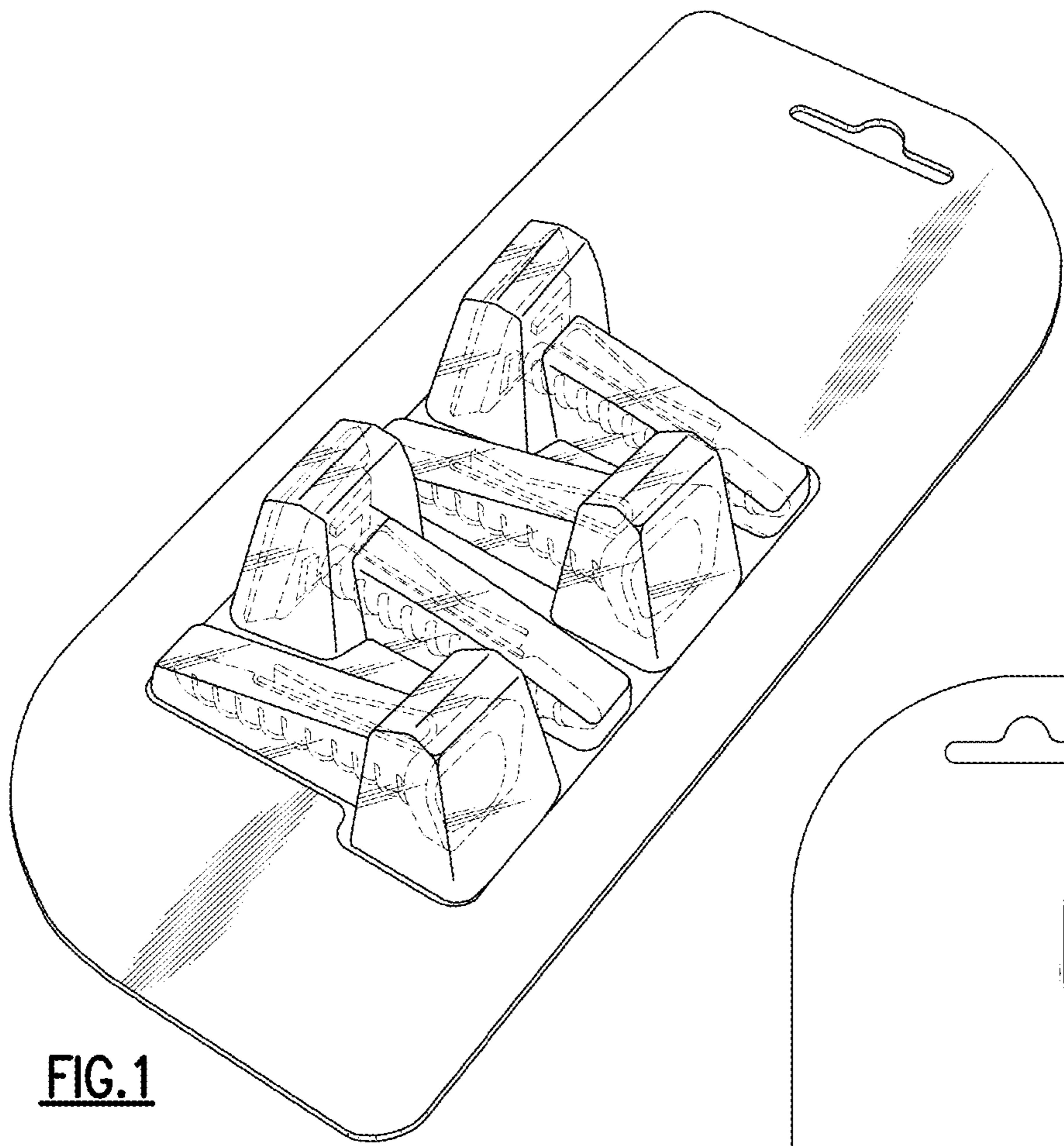


FIG. 1

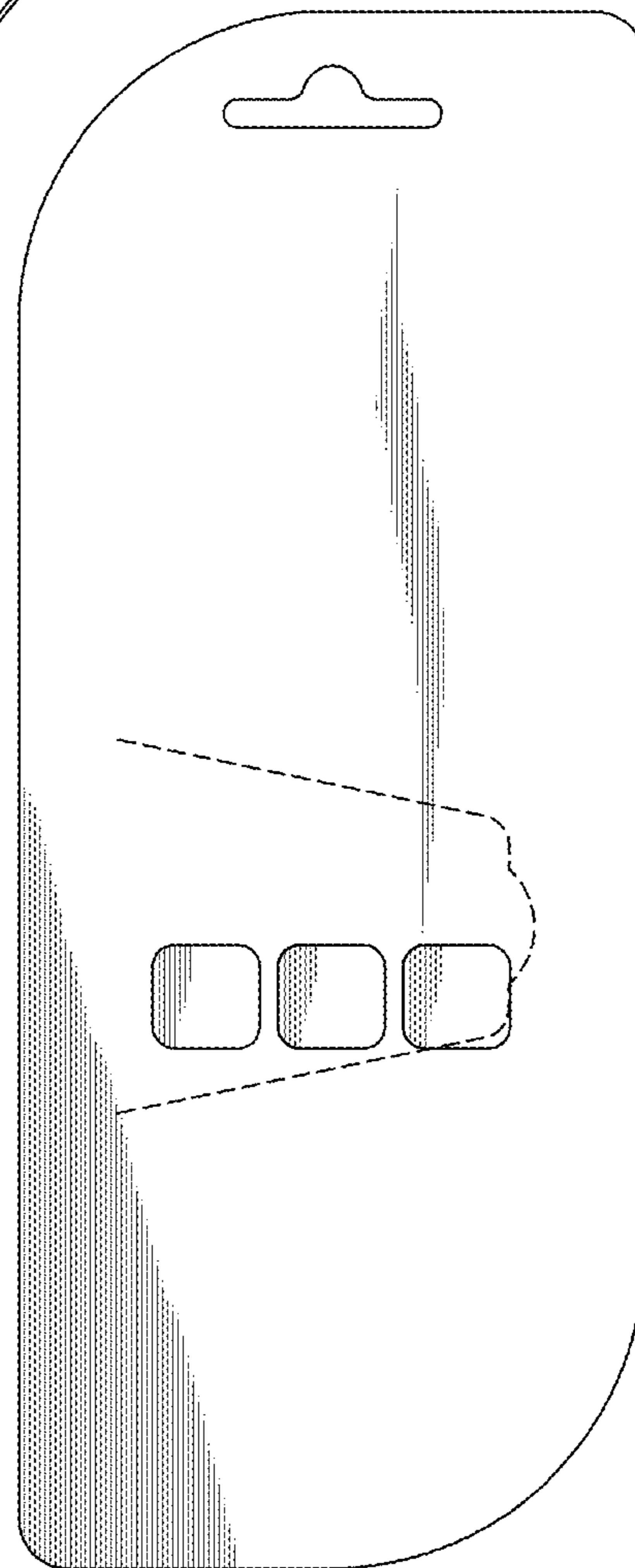


FIG. 7

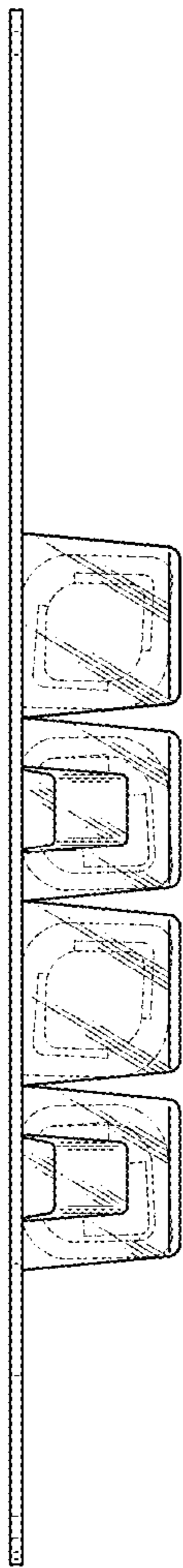
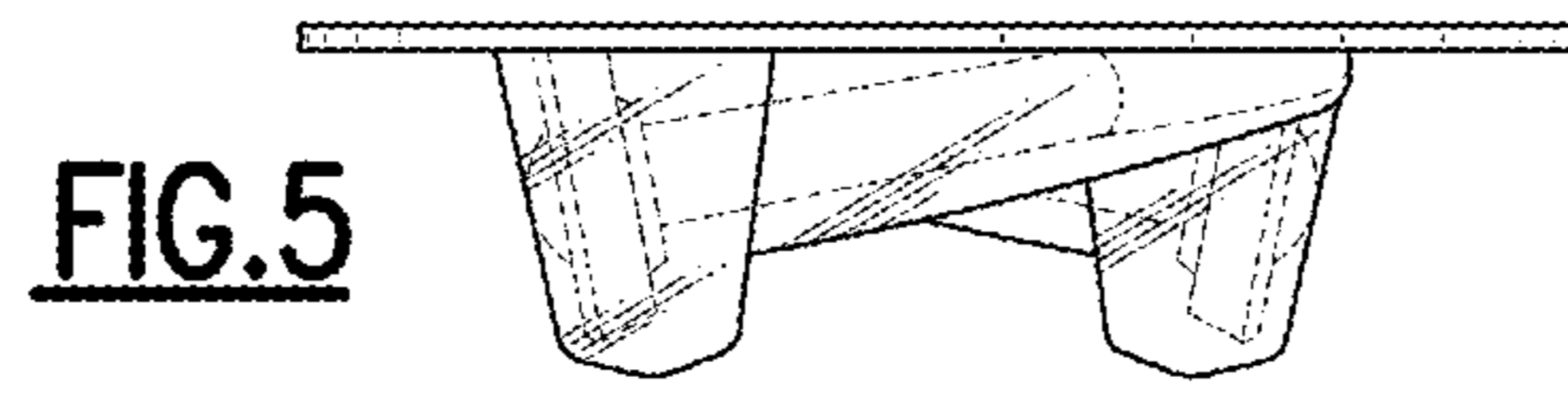


FIG.3

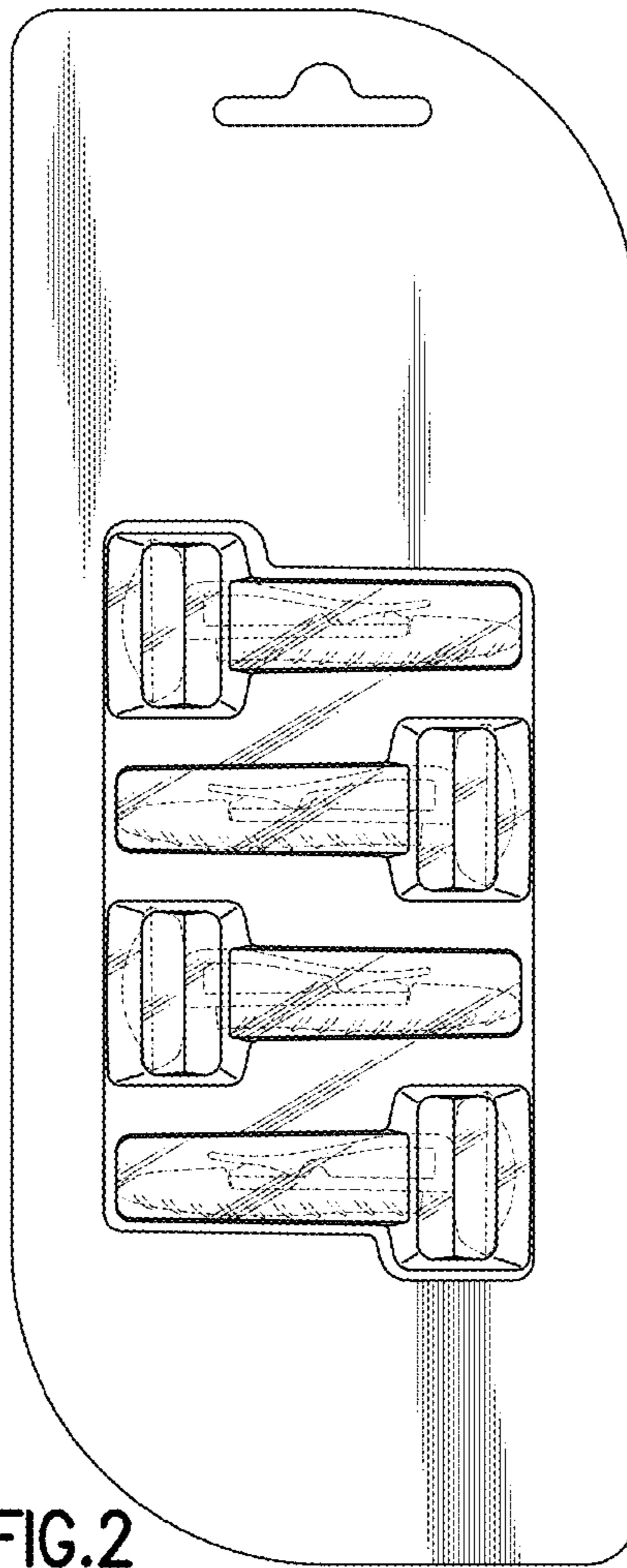


FIG.2

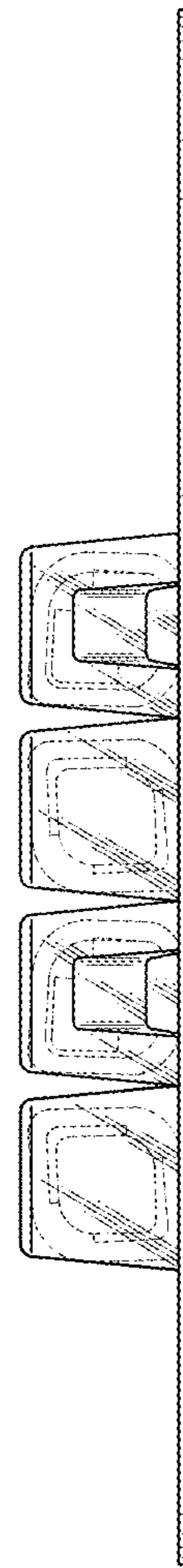


FIG.4

