



US00D767983S

(12) **United States Design Patent**  
**Jiang**

(10) **Patent No.:** **US D767,983 S**

(45) **Date of Patent:** **\*\* Oct. 4, 2016**

(54) **BEAM CLAMP**

(71) Applicant: **Jiangmen Eurofix Metal and Rubber Products Co., Ltd.**, Jiangmen, Guangdong Province (CN)

(72) Inventor: **Shizhong Jiang**, Jiangmen (CN)

(73) Assignee: **Jiangmen Eurofix Metal and Rubber Products Co., Ltd.**, Jiangmen, Guangdong (CN)

(\*\*) Term: **15 Years**

(21) Appl. No.: **29/530,476**

(22) Filed: **Jun. 17, 2015**

(51) **LOC (10) Cl.** ..... **08-08**

(52) **U.S. Cl.**  
USPC ..... **D8/394**

(58) **Field of Classification Search**  
USPC ..... D8/394, 395, 396, 382, 72, 354, 356, D8/355, 73, 371; 248/68.1, 74.3, 62; 285/420; 24/336, 341, 297; 439/758  
CPC ..... F16L 23/08; F16L 3/085; F16L 3/221; F16L 3/137; F16L 3/08; E21F 17/02; Y10S 248/913; A44B 21/00  
See application file for complete search history.

(56) **References Cited**

**U.S. PATENT DOCUMENTS**

D140,862 S \* 4/1945 Conlan ..... D13/161  
2,642,243 A \* 6/1953 Kindorf ..... F16L 3/24  
248/228.6  
3,341,909 A \* 9/1967 Havener ..... B25B 5/101  
24/350

D226,800 S \* 5/1973 Rumble ..... D8/394  
D226,801 S \* 5/1973 Rumble ..... D8/394  
D237,775 S \* 11/1975 Hitomi ..... D8/356  
D242,113 S \* 11/1976 Mooney et al. .... D8/394  
D267,625 S \* 1/1983 Dark ..... D8/72  
D337,934 S \* 8/1993 Young ..... D8/355  
D358,971 S \* 6/1995 Glynn ..... D8/73  
D365,512 S \* 12/1995 Mason ..... D8/394  
5,586,373 A \* 12/1996 Eby ..... B25B 1/103  
24/525  
D443,493 S \* 6/2001 Skeem ..... D8/72  
7,469,903 B2 \* 12/2008 Marshall ..... F41J 1/10  
24/469  
D653,514 S \* 2/2012 Wenning ..... D8/72  
D668,522 S \* 10/2012 Henderson ..... D8/73  
D711,718 S \* 8/2014 Francaviglia ..... D13/149  
D733,267 S \* 6/2015 McCarter ..... D23/265  
D739,721 S \* 9/2015 Gretz ..... D8/396

\* cited by examiner

*Primary Examiner* — Ralf Seifert

(74) *Attorney, Agent, or Firm* — Dority & Manning, P.A.

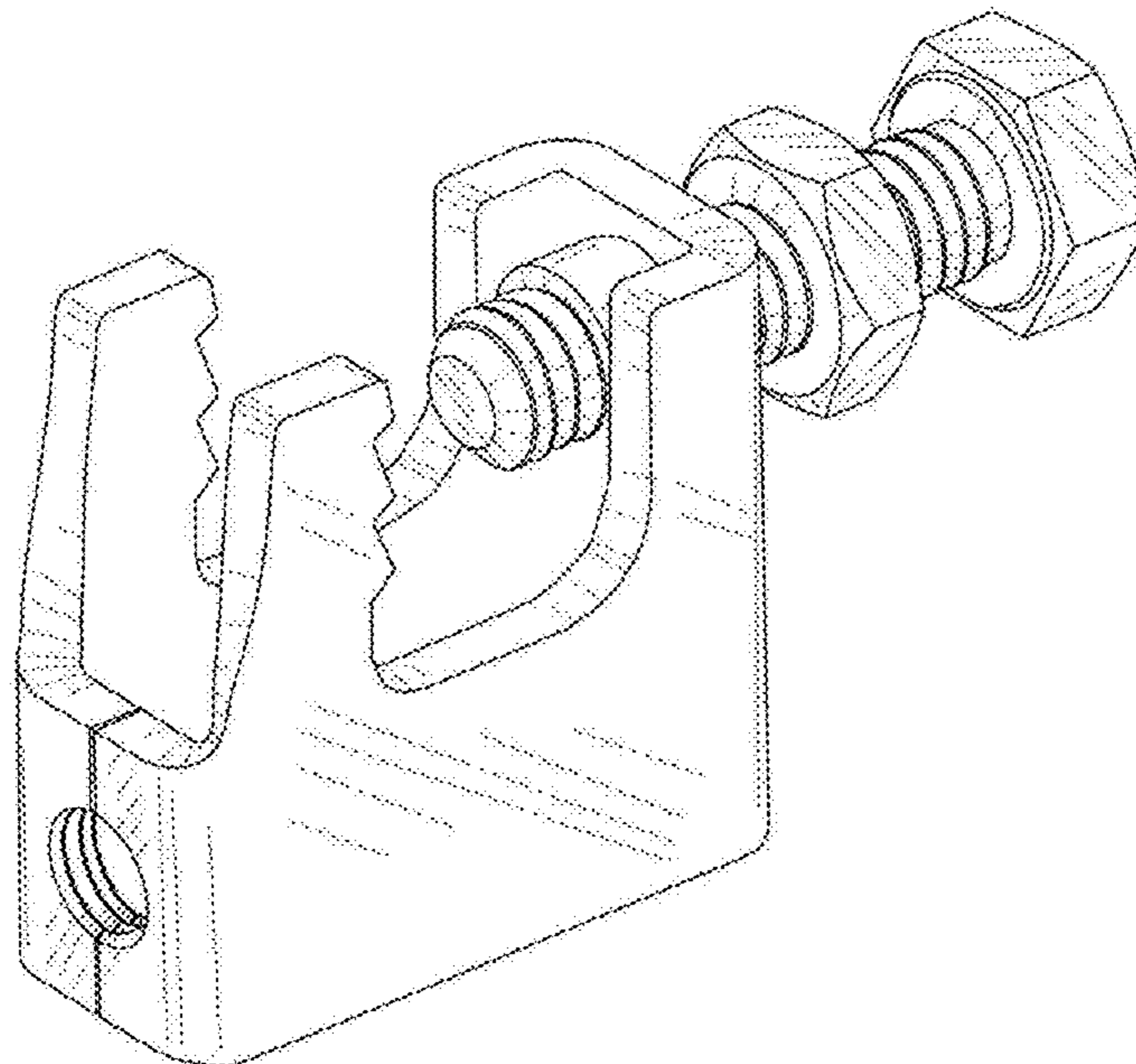
(57) **CLAIM**

The ornamental design for a beam clamp, as shown and described.

**DESCRIPTION**

FIG. 1 is a perspective view of a beam clamp embodying my new design;  
FIG. 2 is a front view thereof;  
FIG. 3 is a rear view thereof;  
FIG. 4 is a left view thereof;  
FIG. 5 is a right view thereof;  
FIG. 6 is a top view thereof; and,  
FIG. 7 is a bottom view thereof.

**1 Claim, 7 Drawing Sheets**



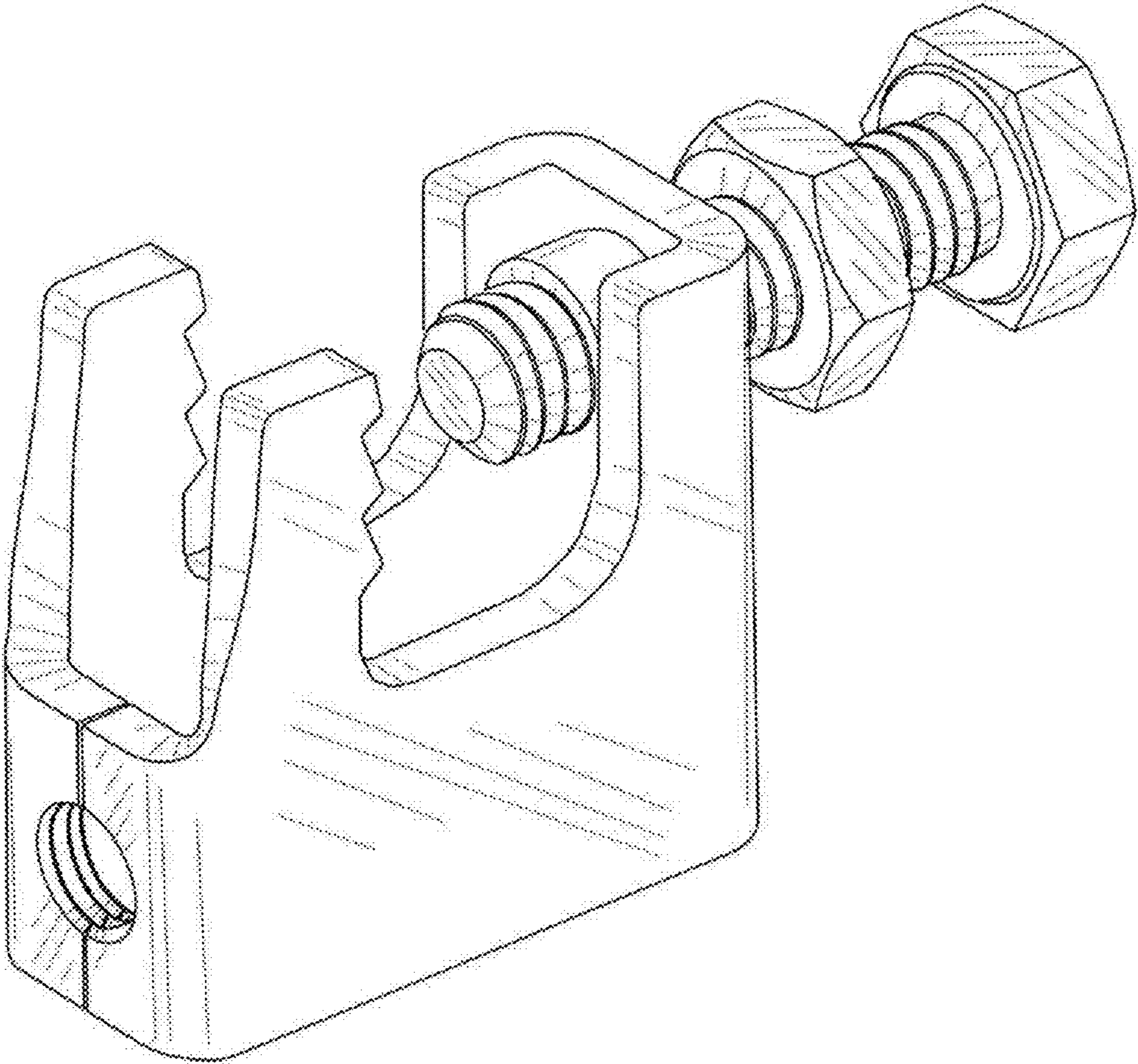


Fig.1

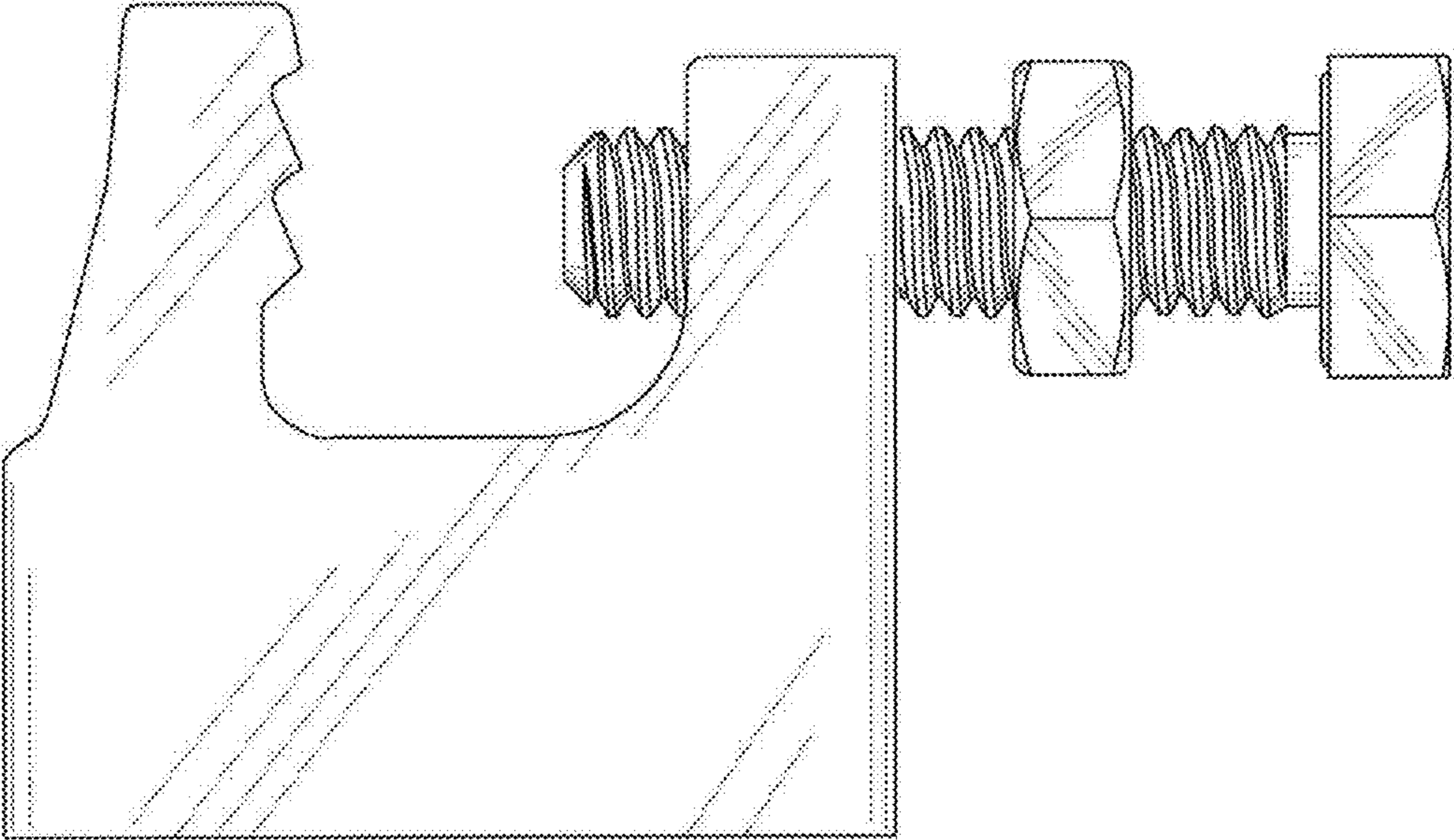


Fig.2

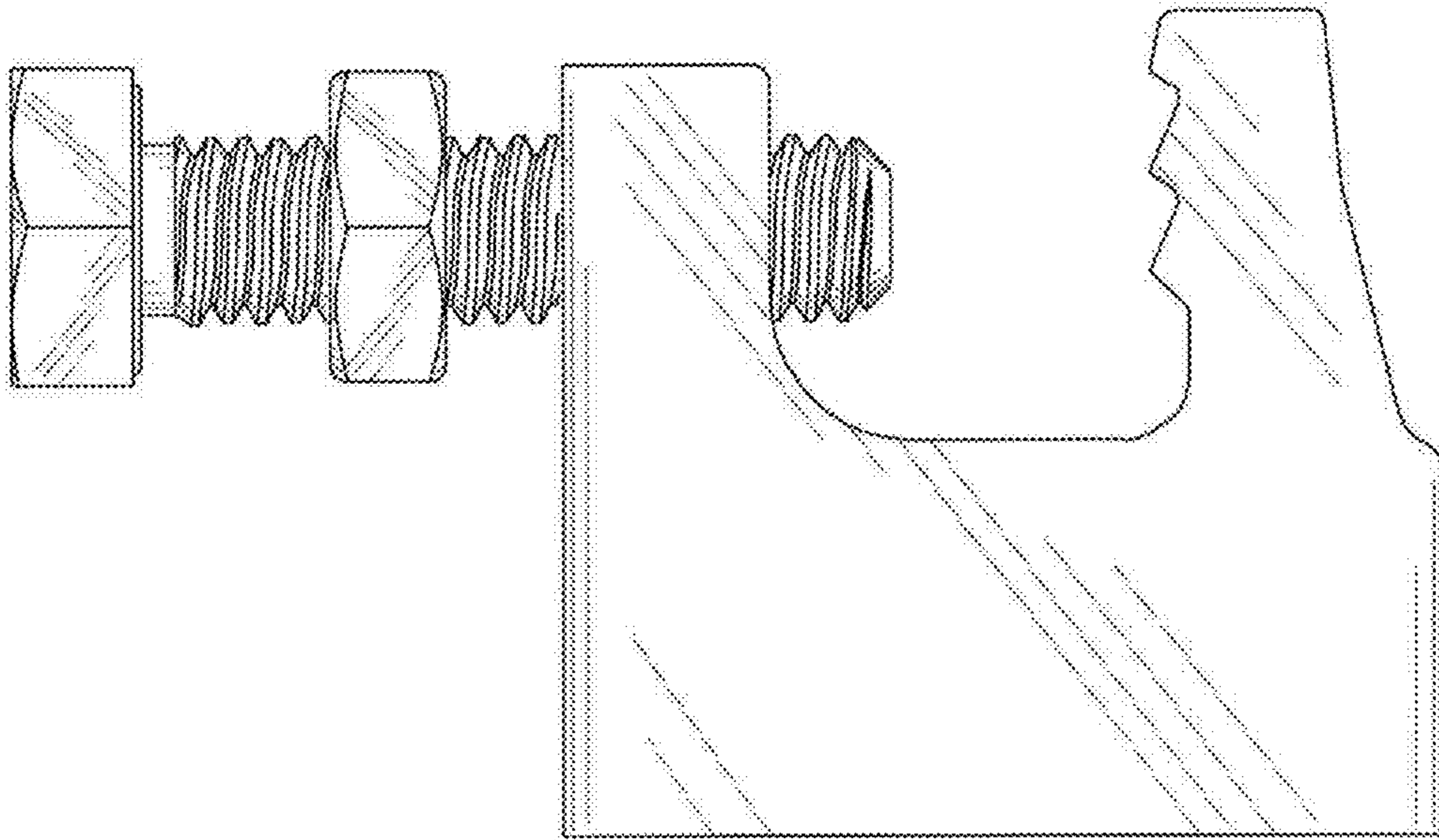


Fig.3

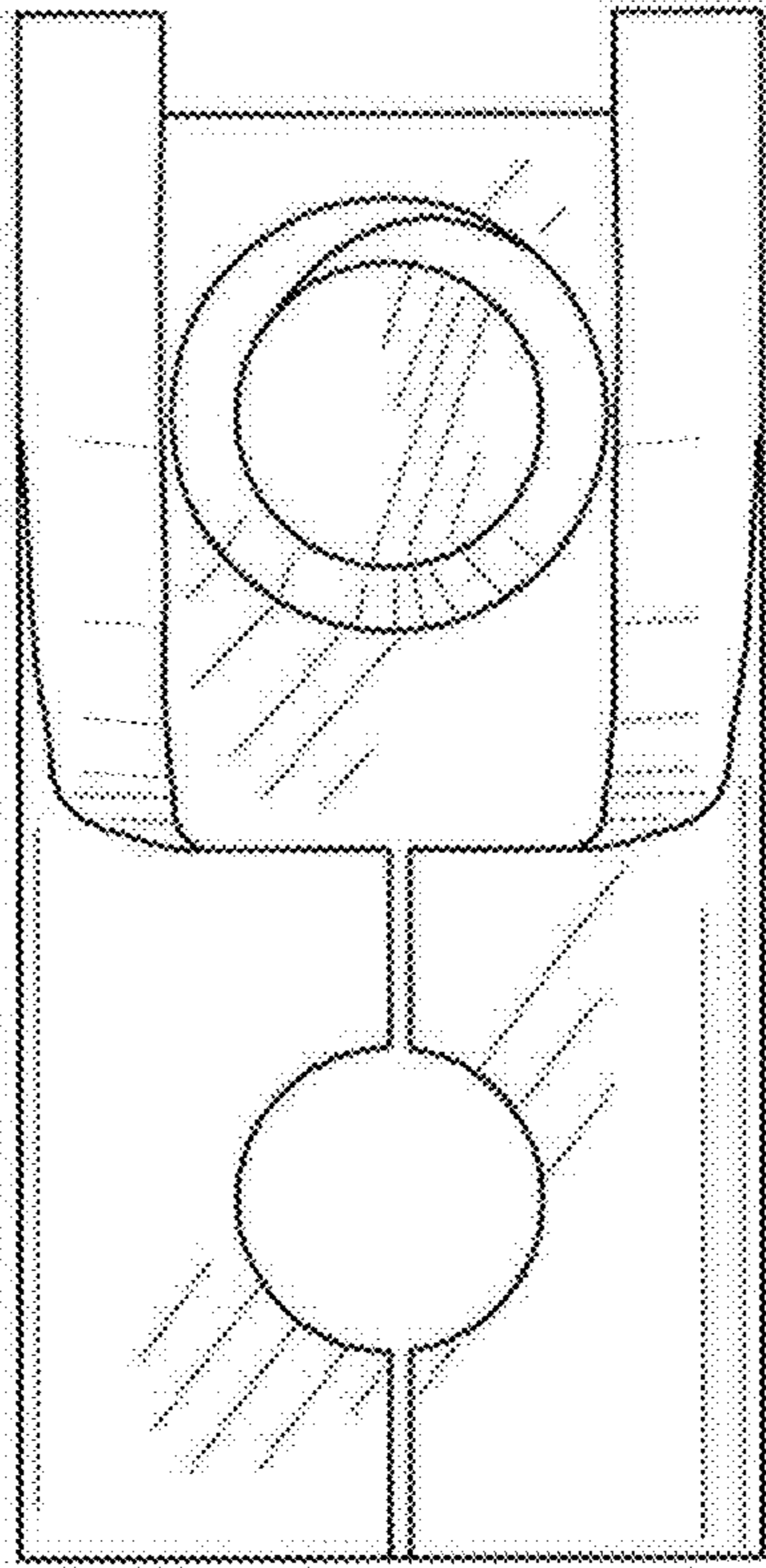


Fig.4

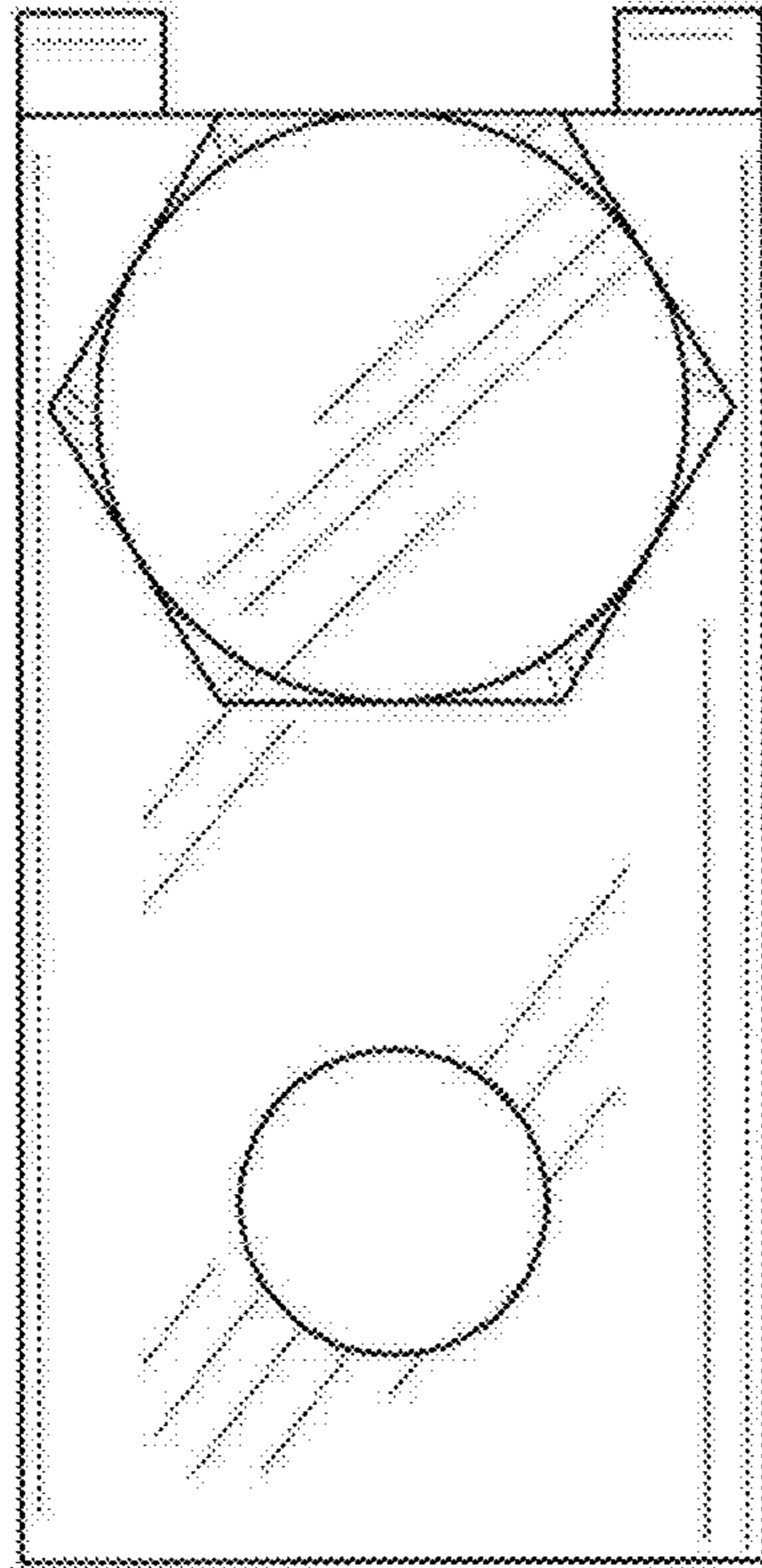


Fig.5

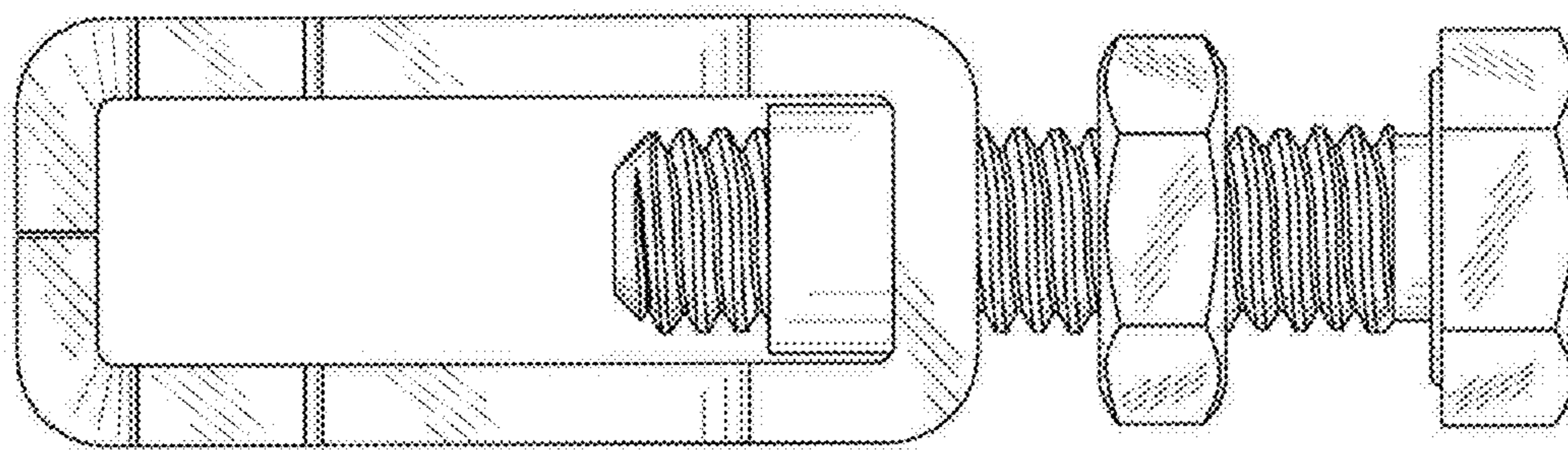


Fig.6

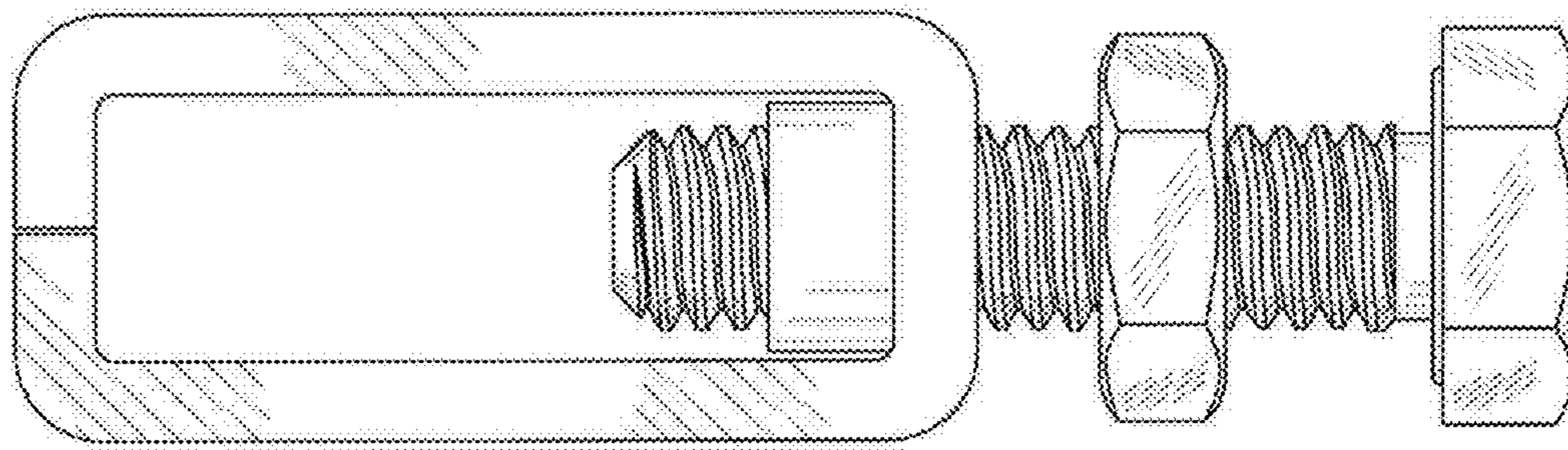


Fig. 7