



US00D767982S

(12) **United States Design Patent** (10) **Patent No.:** **US D767,982 S**  
**Cox** (45) **Date of Patent:** **\*\* Oct. 4, 2016**

(54) **FENCE HANGER**  
(71) Applicant: **Garric Stephen Cox**, Eureka, CA (US)  
(72) Inventor: **Garric Stephen Cox**, Eureka, CA (US)  
(\*\*) Term: **15 Years**  
(21) Appl. No.: **29/536,341**  
(22) Filed: **Aug. 17, 2015**

**Related U.S. Application Data**

(63) Continuation-in-part of application No. 29/529,705, filed on Jun. 10, 2015.  
(51) **LOC (10) Cl.** ..... **08-08**  
(52) **U.S. Cl.**  
USPC ..... **D8/387**  
(58) **Field of Classification Search**  
USPC ..... D8/71, 349, 354, 367, 373, 380, 382, D8/384, 387, 388, 499  
CPC ..... A47G 7/00; A47G 7/02; A47G 7/044; A47G 7/045; A47G 7/047; F16M 13/02  
See application file for complete search history.

3,127,144 A \* 3/1964 Warner ..... A47G 7/044 248/218.2  
D227,393 S \* 6/1973 Bickham ..... D34/35  
D251,579 S 4/1979 Calgaro  
D258,330 S 2/1981 Bosley  
D271,258 S 11/1983 Gyebnar  
D271,831 S 12/1983 McGain  
5,009,380 A \* 4/1991 Fee ..... F16M 13/022 248/214  
D348,215 S \* 6/1994 Melhorn ..... D22/108  
5,649,682 A 7/1997 Martin  
D392,487 S 3/1998 Cambron  
D406,978 S 3/1999 Cox  
D536,598 S \* 2/2007 Livacich ..... D8/349  
D538,629 S \* 3/2007 Livacich ..... D8/349  
D611,803 S \* 3/2010 Lien ..... D8/370  
2014/0231606 A1\* 8/2014 Sobb ..... A47F 5/0823 248/224.8

\* cited by examiner

*Primary Examiner* — Sheryl Lane  
*Assistant Examiner* — Ieisha Price  
(74) *Attorney, Agent, or Firm* — Pierson IP, PLLC

(57) **CLAIM**  
The ornamental design for a fence hanger, as shown and described.

(56) **References Cited**

**U.S. PATENT DOCUMENTS**

102,945 A \* 5/1870 Judd ..... A47G 25/0607 248/547  
288,058 A \* 11/1883 Hollister ..... A47G 7/044 211/87.01  
D57,135 S \* 2/1921 Klicpera ..... D8/387  
1,922,935 A 8/1933 Hilyer  
2,136,279 A \* 11/1938 De Vilbiss ..... A47G 7/041 248/153  
3,018,898 A \* 1/1962 Frazelle ..... A47B 96/1425 211/107

**DESCRIPTION**

FIG. 1 is a top perspective view of a fence hanger showing our new design thereof;  
FIG. 2 is a side view of the fence hanger shown in FIG. 1; and,  
FIG. 3 is side view of the fence hanger, with environmental structures, shown in FIG. 1.  
Elements shown in broken lines show environmental structures of the fence hanger and form no part of our design.

**1 Claim, 2 Drawing Sheets**

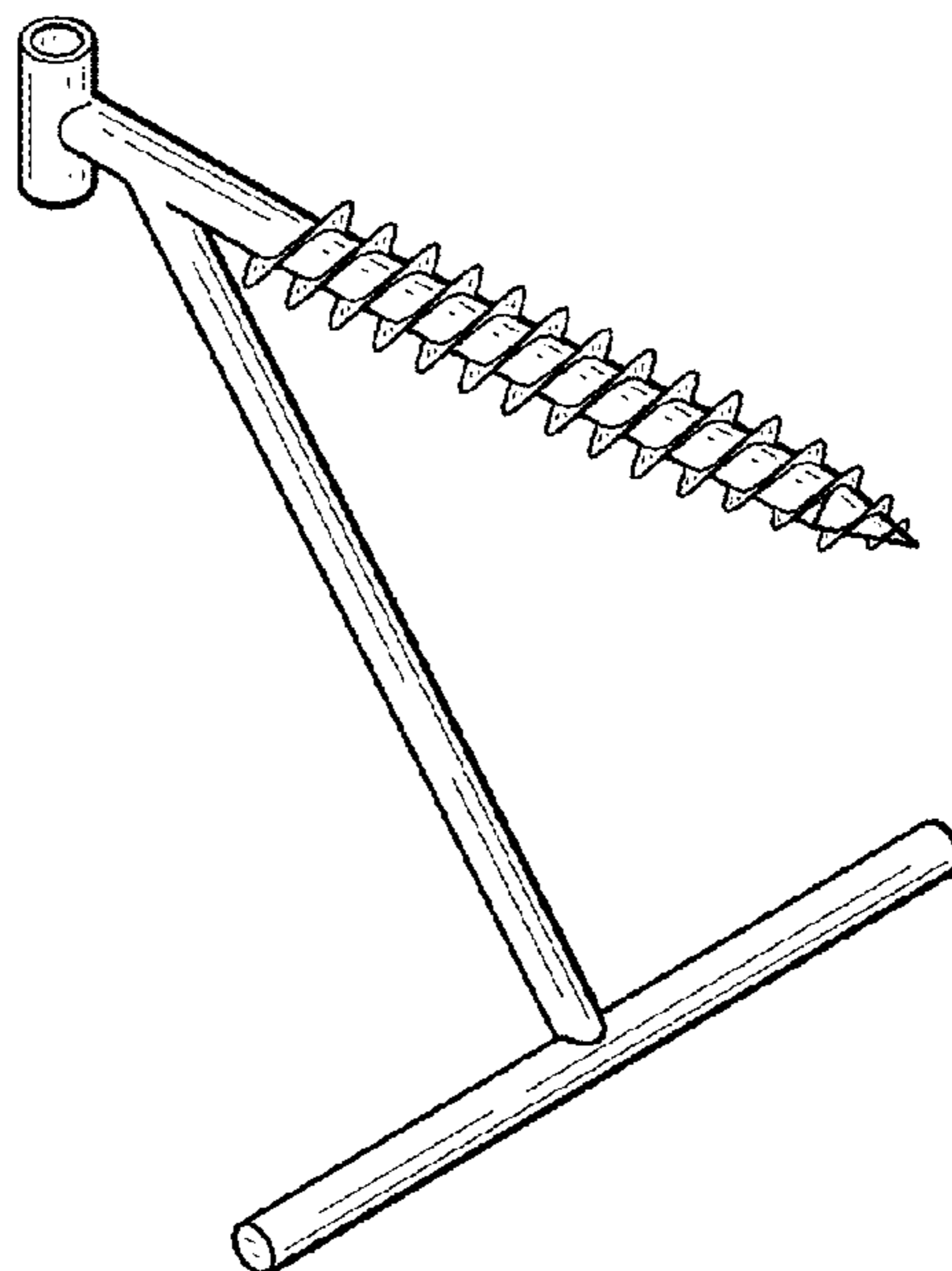


FIG. 1

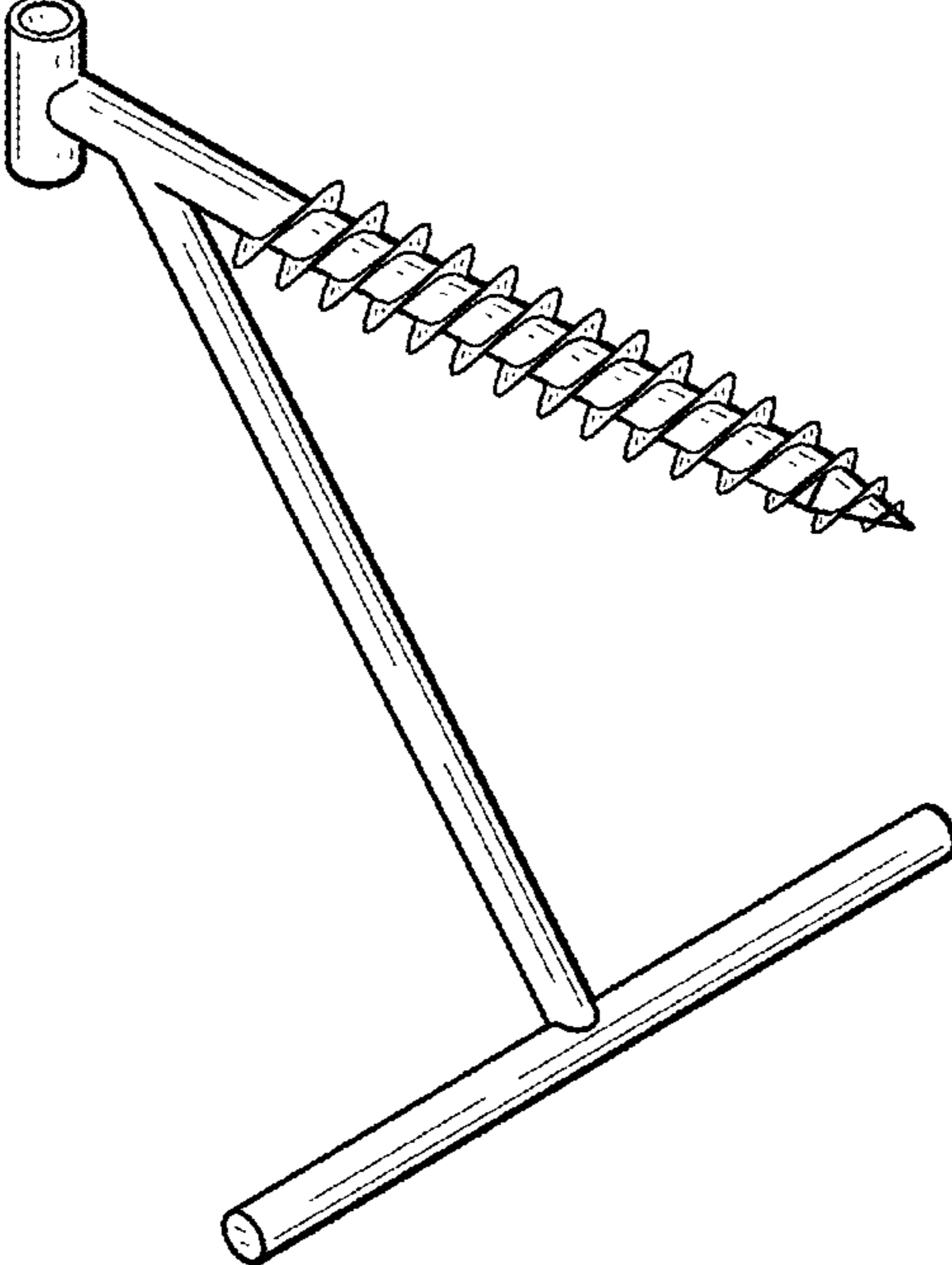


FIG. 2

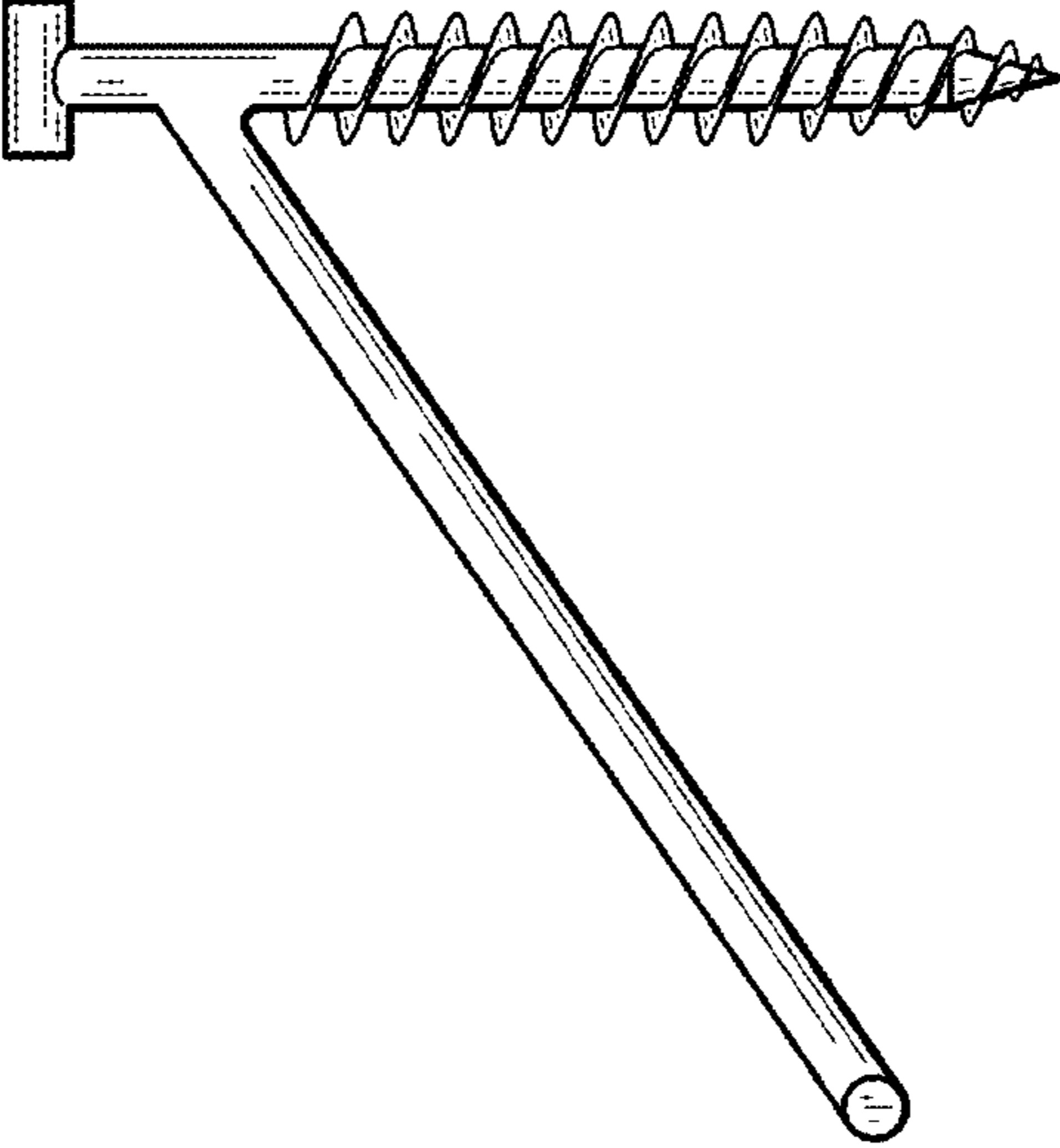


FIG. 3

