



US00D767977S

(12) **United States Design Patent** (10) **Patent No.:** **US D767,977 S**  
**Man** (45) **Date of Patent:** **\*\* Oct. 4, 2016**

(54) **STROLLER HOOK**

OTHER PUBLICATIONS

- (71) Applicant: **Think King LLC**, New York, NY (US)
- (72) Inventor: **King-Yee Man**, New York, NY (US)
- (73) Assignee: **Think King LLC**, New York, NY (US)
- (\*\*) Term: **14 Years**
- (21) Appl. No.: **29/515,813**
- (22) Filed: **Jan. 27, 2015**
- (51) **LOC (10) Cl.** ..... **08-05**
- (52) **U.S. Cl.**  
USPC ..... **D8/367**
- (58) **Field of Classification Search**  
USPC ..... D8/367, 354, 349, 389; 248/301, 302,  
248/303, 304, 339; 24/132 R; D6/325  
CPC ..... A47G 1/00; F16B 2/00; A63B 27/00  
See application file for complete search history.

Think King: essential accessories for your stroller, scooter, wheelchair, walker and rollator, "Mighty Buggy Hook" <https://web.archive.org/web/20130901020645/http://www.think-king.com/mightybuggyhook.html>, Apr. 1, 2015.

Amazon.com: Pair of Stroller Hooks Carabiner by Booyah Strollers: Baby Stroller Accessories: Baby, "Stroller Hooks Carabiner" [http://www.amazon.com/Stroller-Hooks-Carabiner-Booyah-Strollers/dp/B0047QPYH2/ref=cm\\_cr\\_pr\\_product\\_top?ie=UTF8](http://www.amazon.com/Stroller-Hooks-Carabiner-Booyah-Strollers/dp/B0047QPYH2/ref=cm_cr_pr_product_top?ie=UTF8), Apr. 1, 2015.

Think King: essential accessories for your stroller, scooter, wheelchair, walker and rollator, "Jumbo Swirly Hook" <https://web.archive.org/web/20130701000522/http://www.think-king.com/jumboswirlyhook.html>, Apr. 1, 2015.

\* cited by examiner

*Primary Examiner* — Cynthia Underwood  
(74) *Attorney, Agent, or Firm* — Middleton Reutlinger

(56) **References Cited**

(57) **CLAIM**  
The ornamental design for a stroller hook, as shown and described.

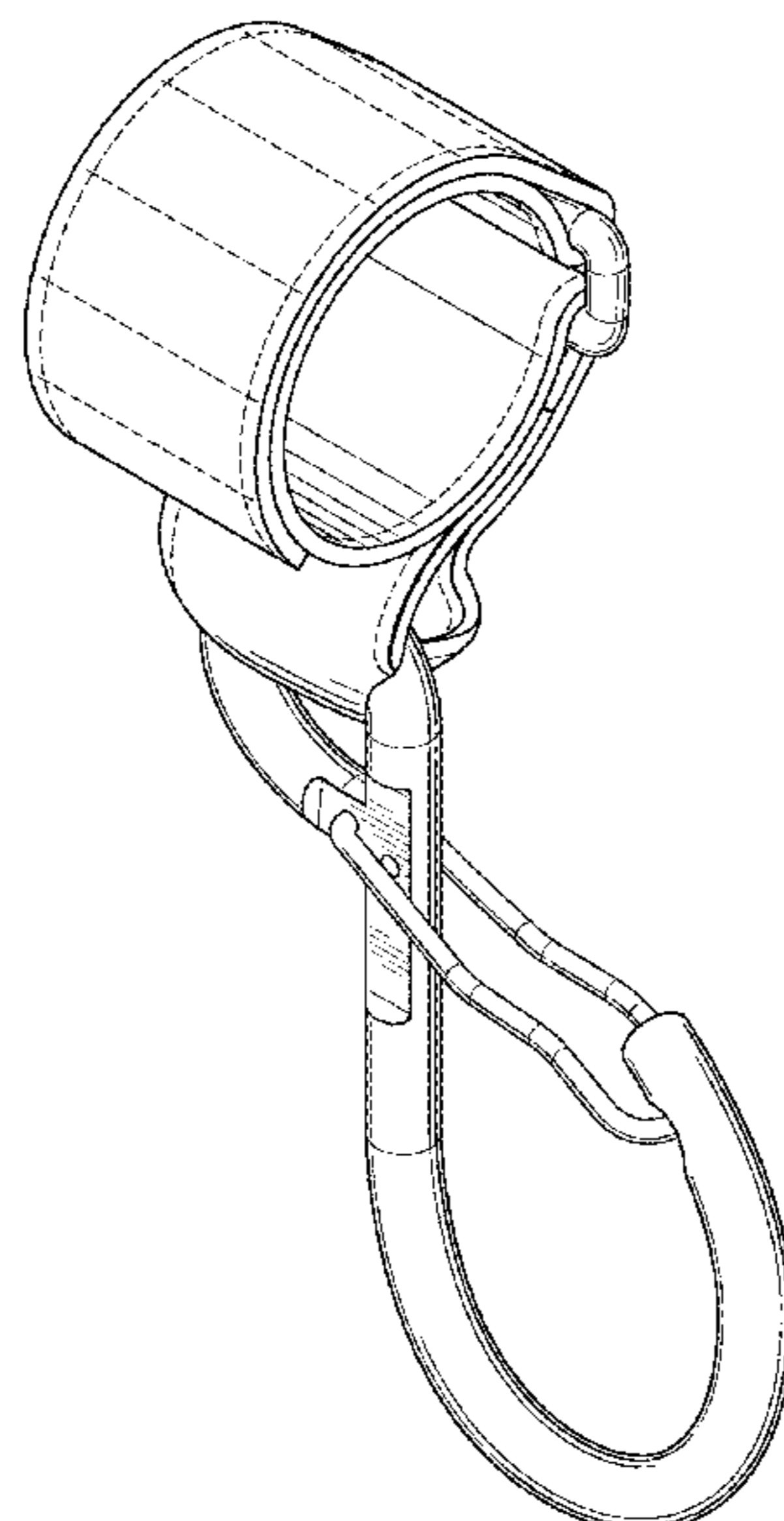
U.S. PATENT DOCUMENTS

**DESCRIPTION**

D271,465	S	*	11/1983	Boissonnet	.....	D8/367
5,257,441	A	*	11/1993	Barlow	.....	F16B 45/02 24/599.5
5,538,303	A	*	7/1996	Dunham	.....	B63B 21/54 24/599.1
D455,642	S	*	4/2002	Kelleghan	.....	D8/367
D485,431	S	*	1/2004	Hsu	.....	D3/210
D520,345	S	*	5/2006	Kelleghan	.....	D8/356
D521,362	S	*	5/2006	Kelleghan	.....	D8/356
D573,875	S	*	7/2008	Anderson	.....	D8/367
D699,098	S	*	2/2014	Fretz	.....	D8/367
D730,159	S	*	5/2015	Grimm	.....	D8/356
D730,722	S	*	6/2015	Grimm	.....	D8/356
D735,559	S	*	8/2015	Liang	.....	D8/356
D736,070	S	*	8/2015	Kaneko	.....	D8/367
D740,646	S	*	10/2015	Sargent	.....	D8/367
D743,778	S	*	11/2015	Huang	.....	D8/367
D749,938	S	*	2/2016	Norpoth	.....	D8/367

FIG. 1 is a top front isometric view of a first embodiment of a new, original and ornamental design for a stroller hook. FIG. 2 is a left side elevational view thereof. FIG. 3 is a front elevational view thereof. FIG. 4 is a right side elevational view thereof. FIG. 5 is a rear elevational view thereof. FIG. 6 is a top plan view thereof; and, FIG. 7 is a bottom plan view thereof. The stitching portions shown in broken dash lines in FIGS. 1-2, 4 and 6-7 form no part of the claimed design.

**1 Claim, 6 Drawing Sheets**



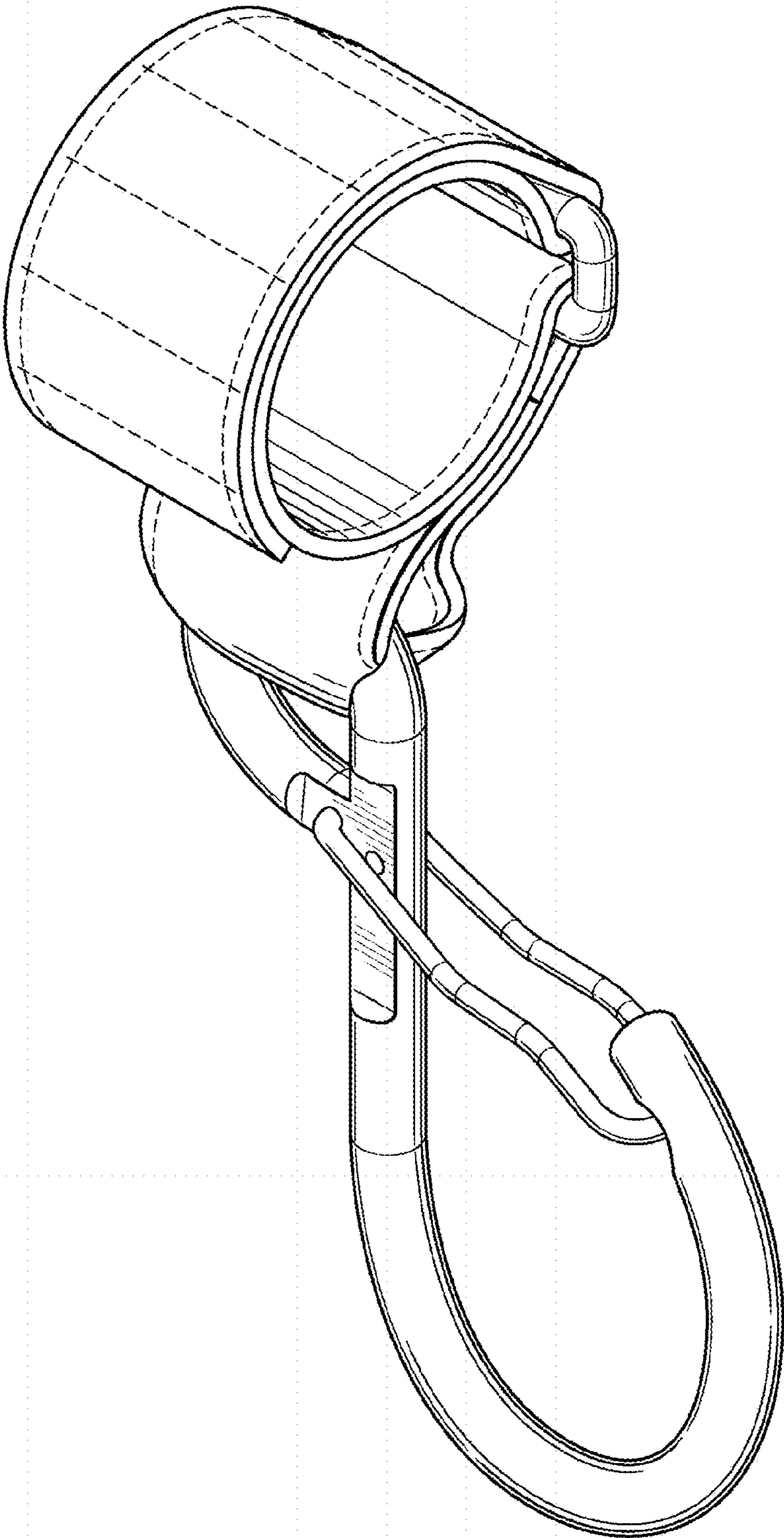


FIG. 1

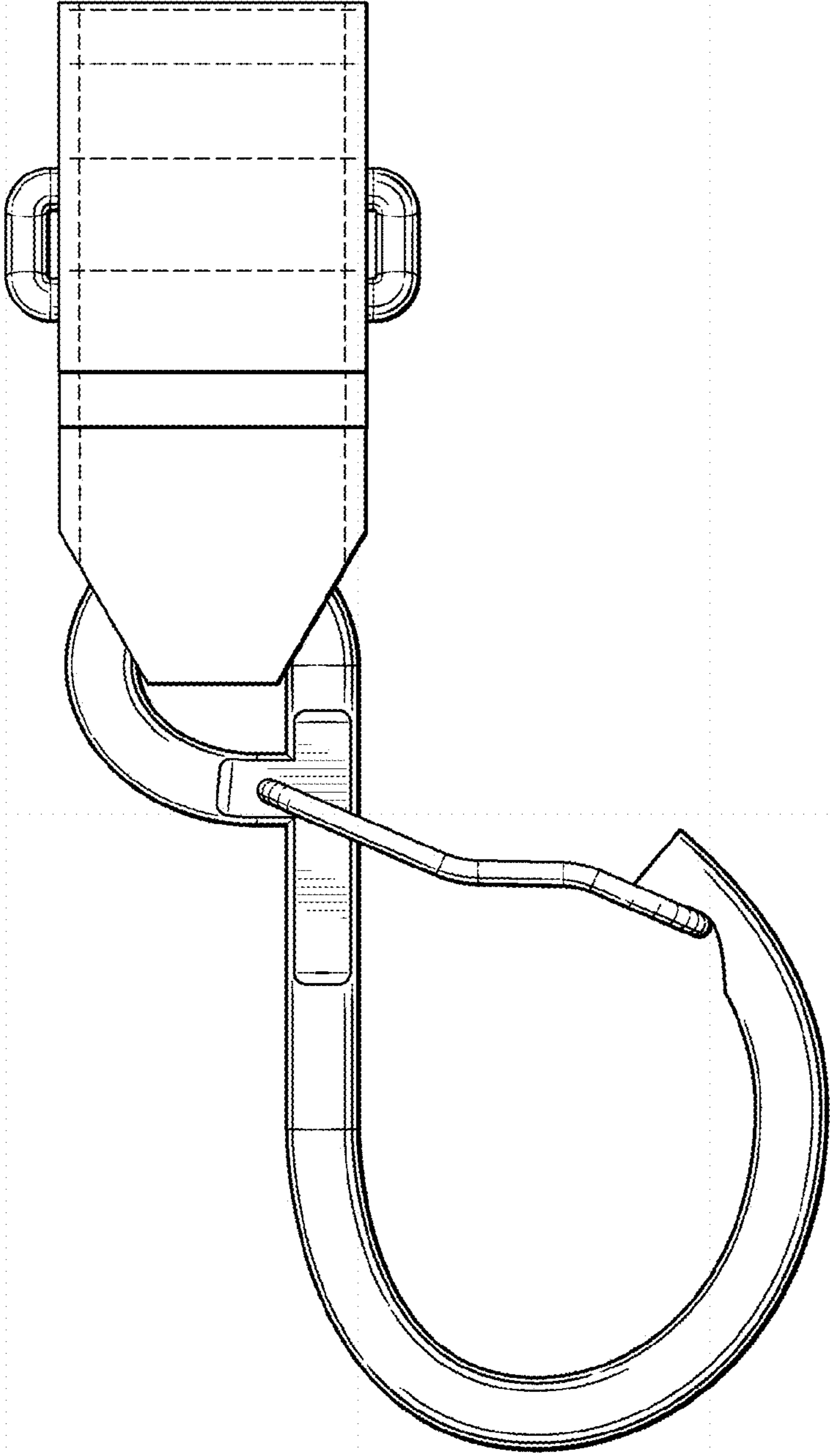


FIG. 2

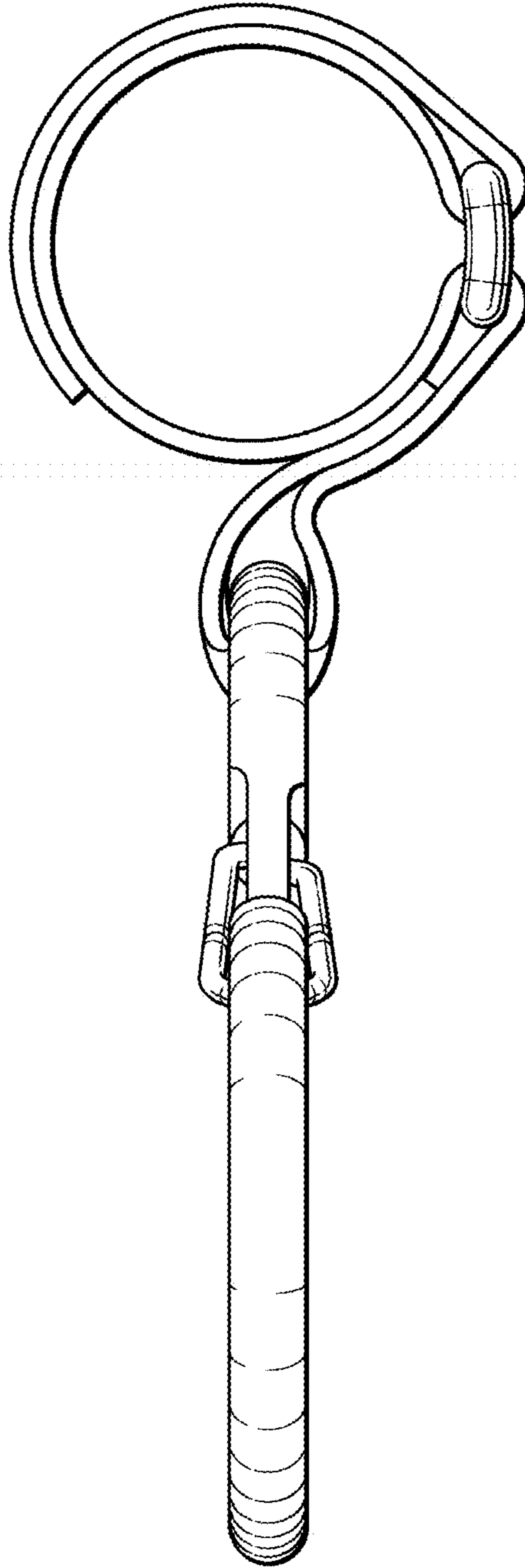


FIG. 3

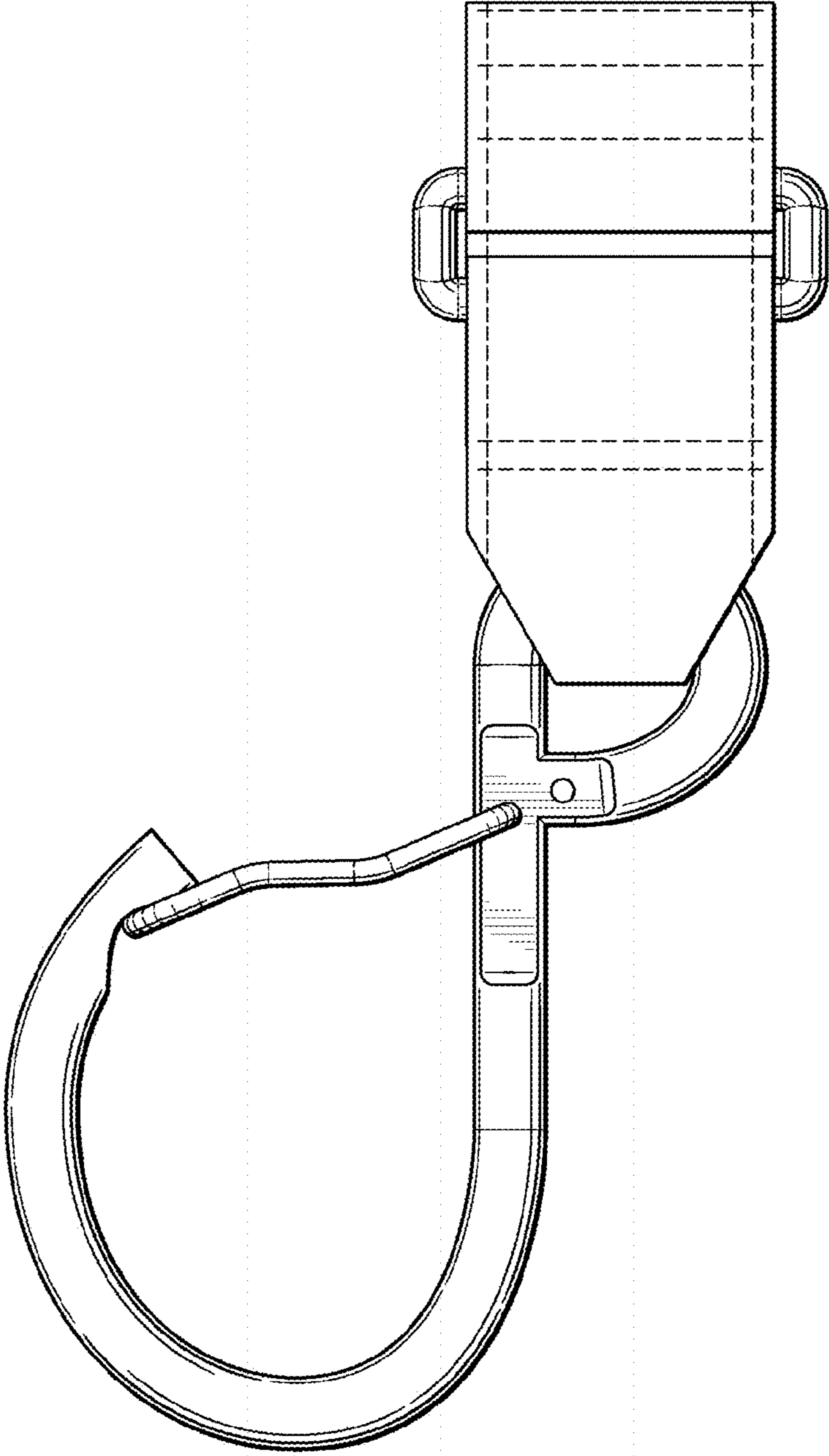


FIG. 4

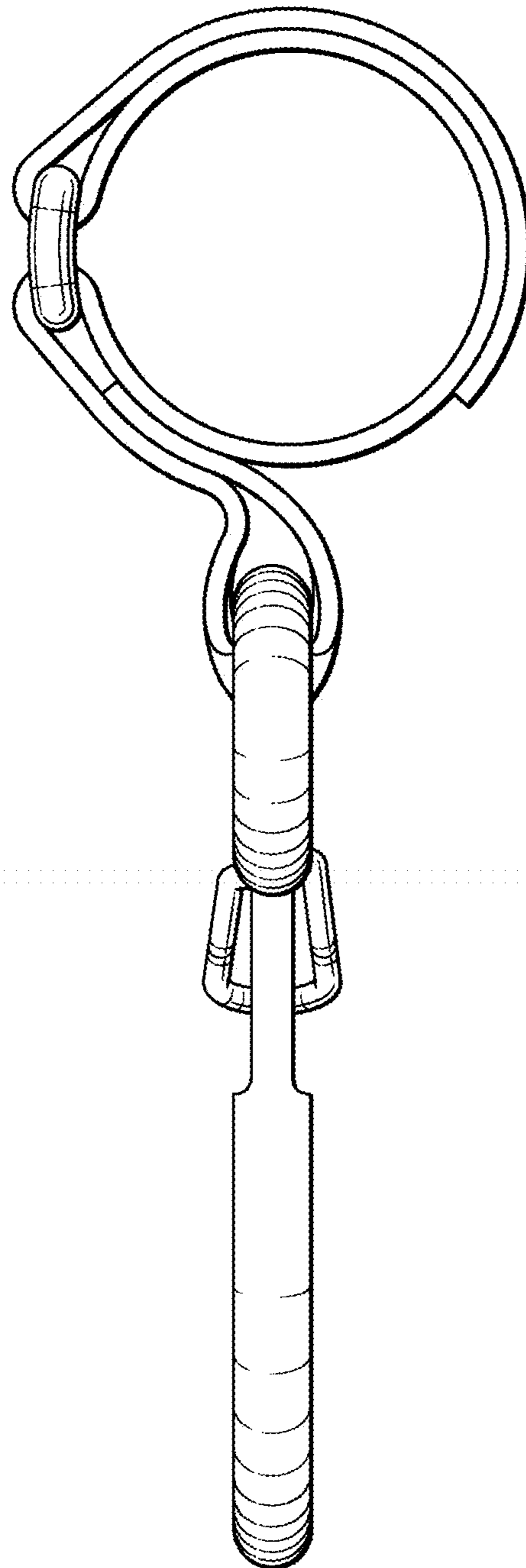


FIG. 5

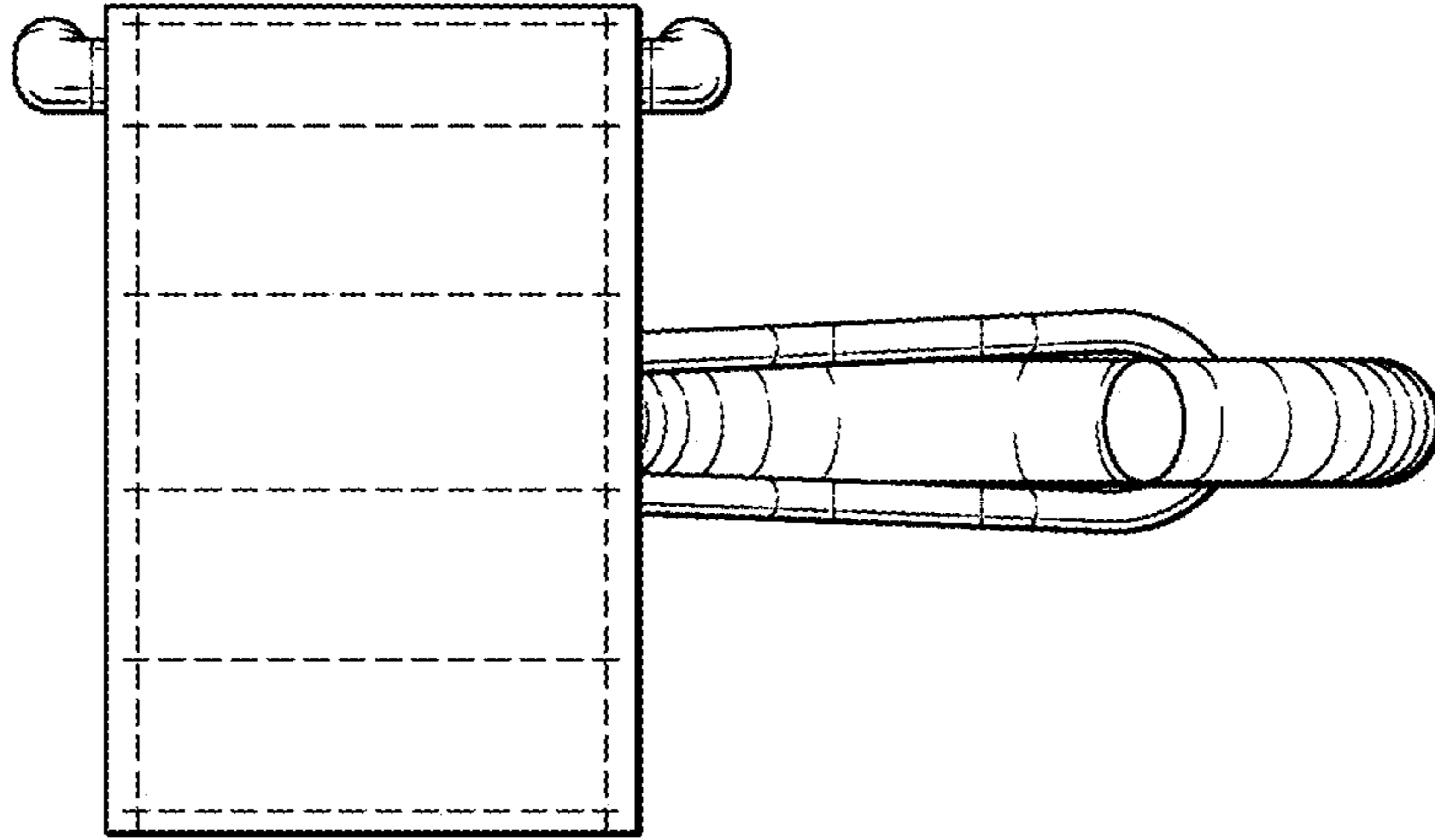


FIG. 6

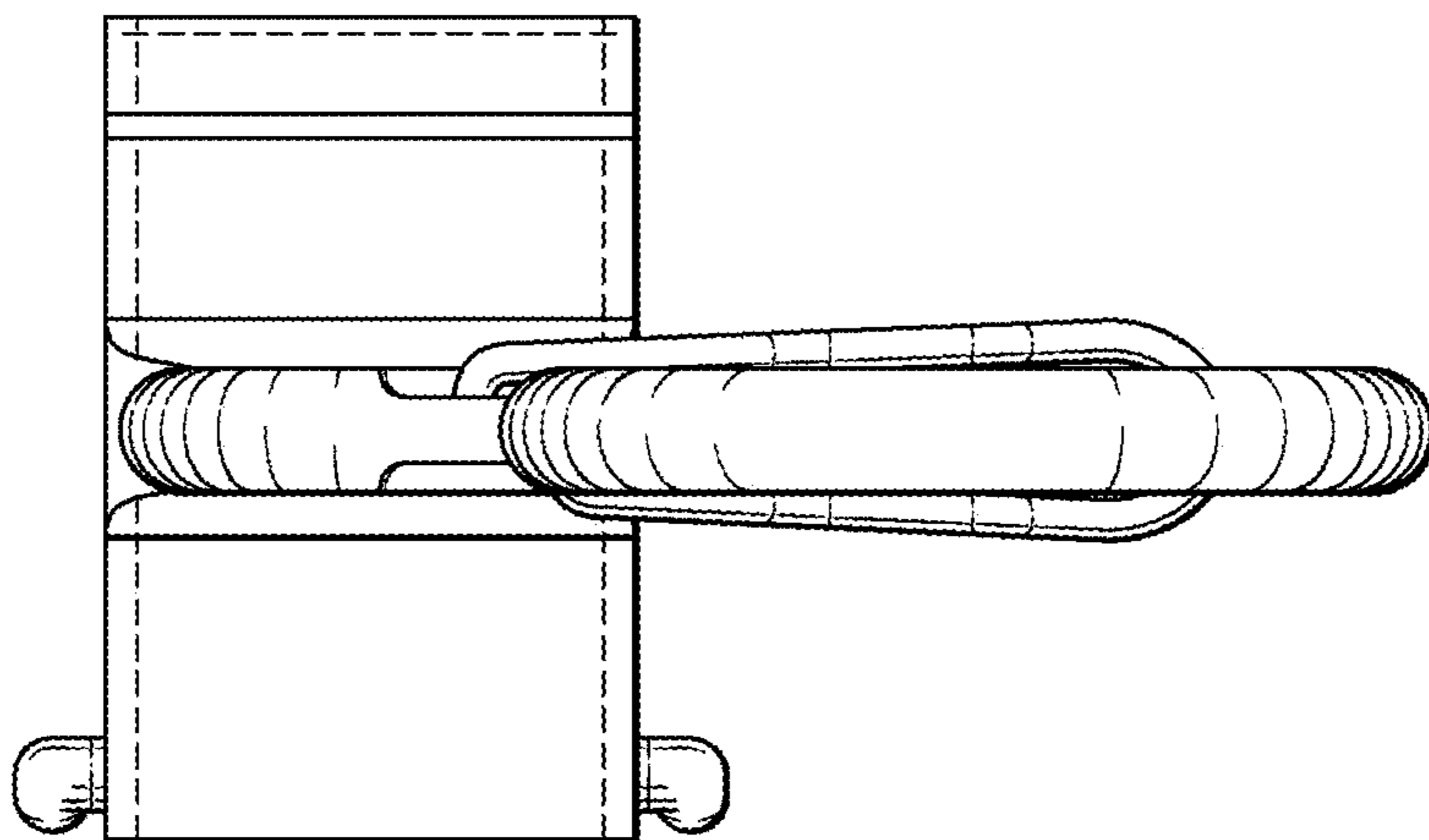


FIG. 7