



US00D767974S

(12) **United States Design Patent**
Tung

(10) **Patent No.:** **US D767,974 S**

(45) **Date of Patent:** **** Oct. 4, 2016**

(54) **FENDER LOCK**

(71) Applicant: **Marine Town Inc.**, New Taipei (TW)

(72) Inventor: **Chin-Chung Tung**, New Taipei (TW)

(73) Assignee: **MARINE TOWN INC.**, New Taipei (TW)

(**) Term: **14 Years**

(21) Appl. No.: **29/523,560**

(22) Filed: **Apr. 10, 2015**

(51) **LOC (10) Cl.** **08-05**

(52) **U.S. Cl.**
USPC **D8/356**

(58) **Field of Classification Search**
USPC D32/361; D9/434; D24/143; 24/129 R,
24/18, 130, 289, 297, 457; 606/203;
D8/354, 356, 382, 394, 367, 349, 381,
D8/396; D12/217; 248/75, 301, 302, 303,
248/304, 339, 205.3, 544; 242/615;
294/209, 24, 2, 210, 211; 403/53, 91
CPC B60T 3/00; H02G 3/045; F16B 2/00;
A63B 27/00
See application file for complete search history.

(56) **References Cited**

U.S. PATENT DOCUMENTS

D362,614 S *	9/1995	Kingery	D8/360
D650,260 S *	12/2011	Petzl	D8/356
D687,700 S *	8/2013	Petzl	D8/360
D722,487 S *	2/2015	Miller	D8/356
D746,125 S *	12/2015	Miller	D8/356
D753,467 S *	4/2016	Taing	D8/356
2014/0054109 A1 *	2/2014	Barnett	A62B 1/14 182/5

2014/0123439 A1 *	5/2014	Bacon	F16G 11/106 24/134 KB
2014/0138191 A1 *	5/2014	Chabod	A62B 1/14 188/65.1
2014/0174850 A1 *	6/2014	Paglioli	A62B 1/14 182/5
2014/0196984 A1 *	7/2014	Chabod	A62B 1/14 182/18
2014/0262611 A1 *	9/2014	Oddou	A62B 1/14 182/5

* cited by examiner

Primary Examiner — Cynthia Underwood

(74) *Attorney, Agent, or Firm* — WPAT, P.C., Intellectual Property Attorneys; Anthony King

(57) **CLAIM**

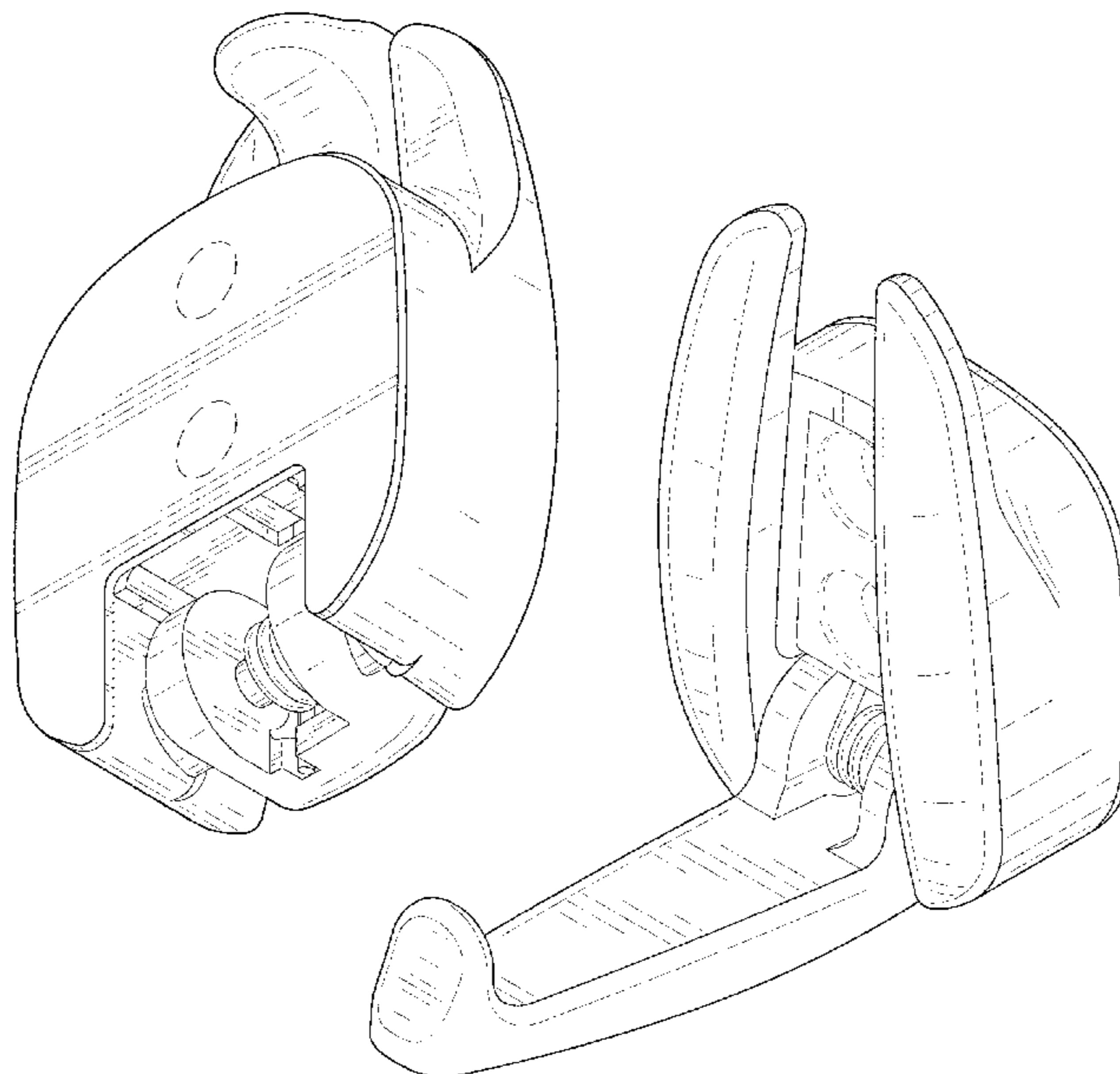
The ornamental design for a “fender lock,” as shown and described.

DESCRIPTION

FIG. 1 is a perspective view of a fender lock showing our new design thereof;
FIG. 2 is a front elevational view thereof;
FIG. 3 is a rear elevational view thereof;
FIG. 4 is a left side elevational view thereof, the right side being a mirror image;
FIG. 5 is a top plan view thereof;
FIG. 6 is a bottom plan view;
FIG. 7 is another perspective view thereof; and,
FIG. 8 is a perspective view of the fender lock showing an in-use position.

The broken lines in the drawings depict environmental subject matter/or parts of the invention only and form no part of the claimed design.

1 Claim, 8 Drawing Sheets



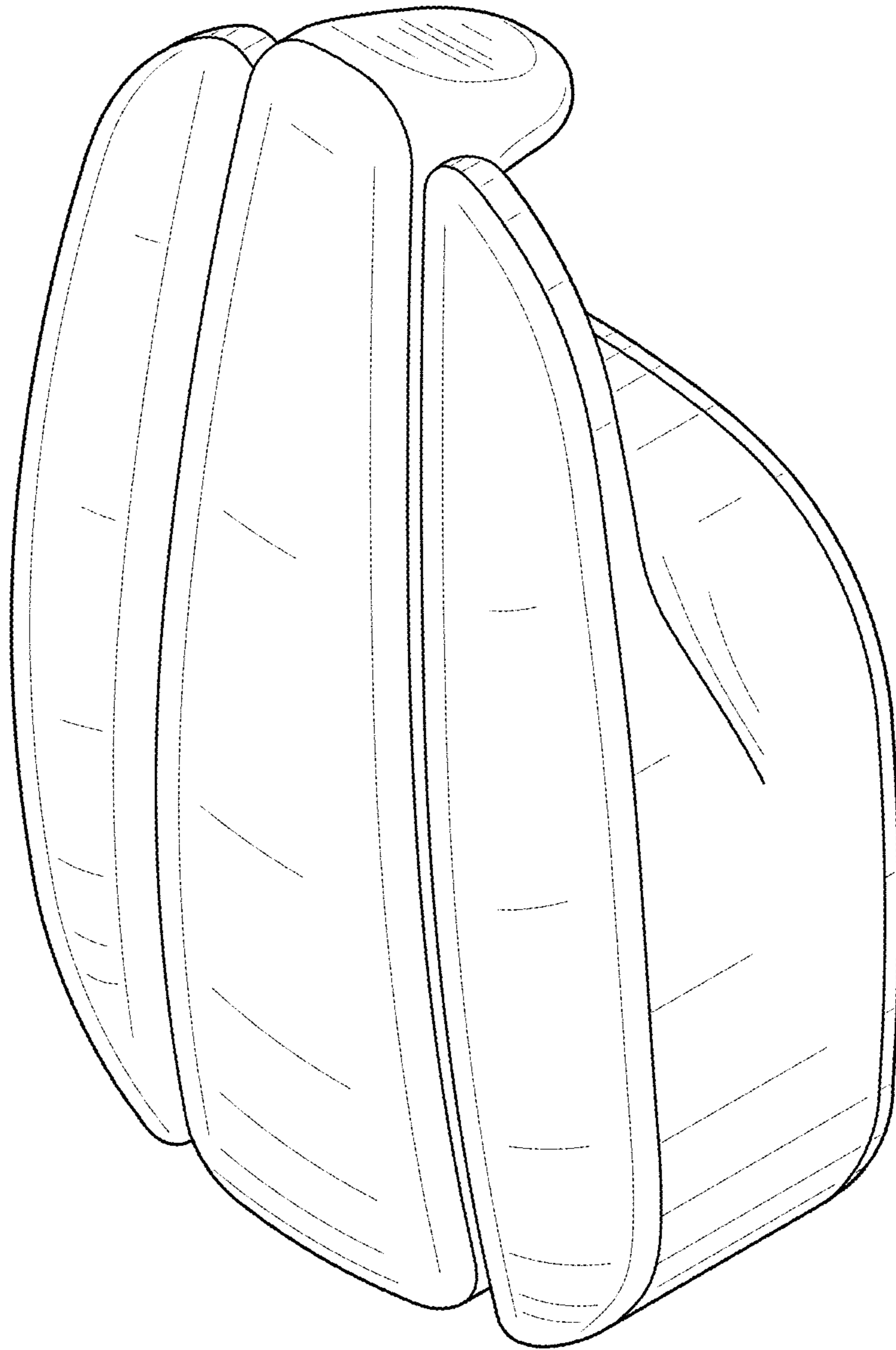


FIG.1

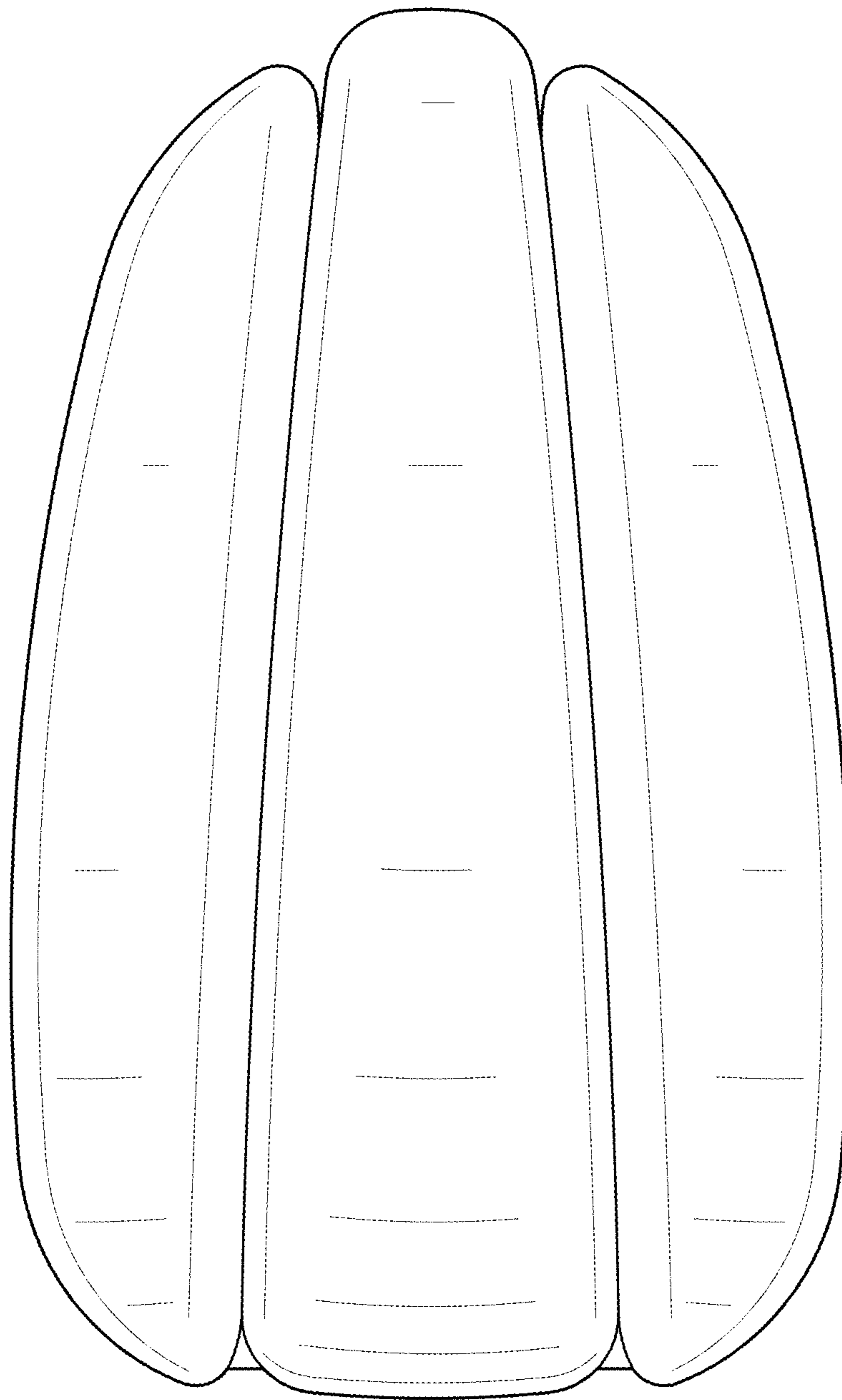


FIG.2

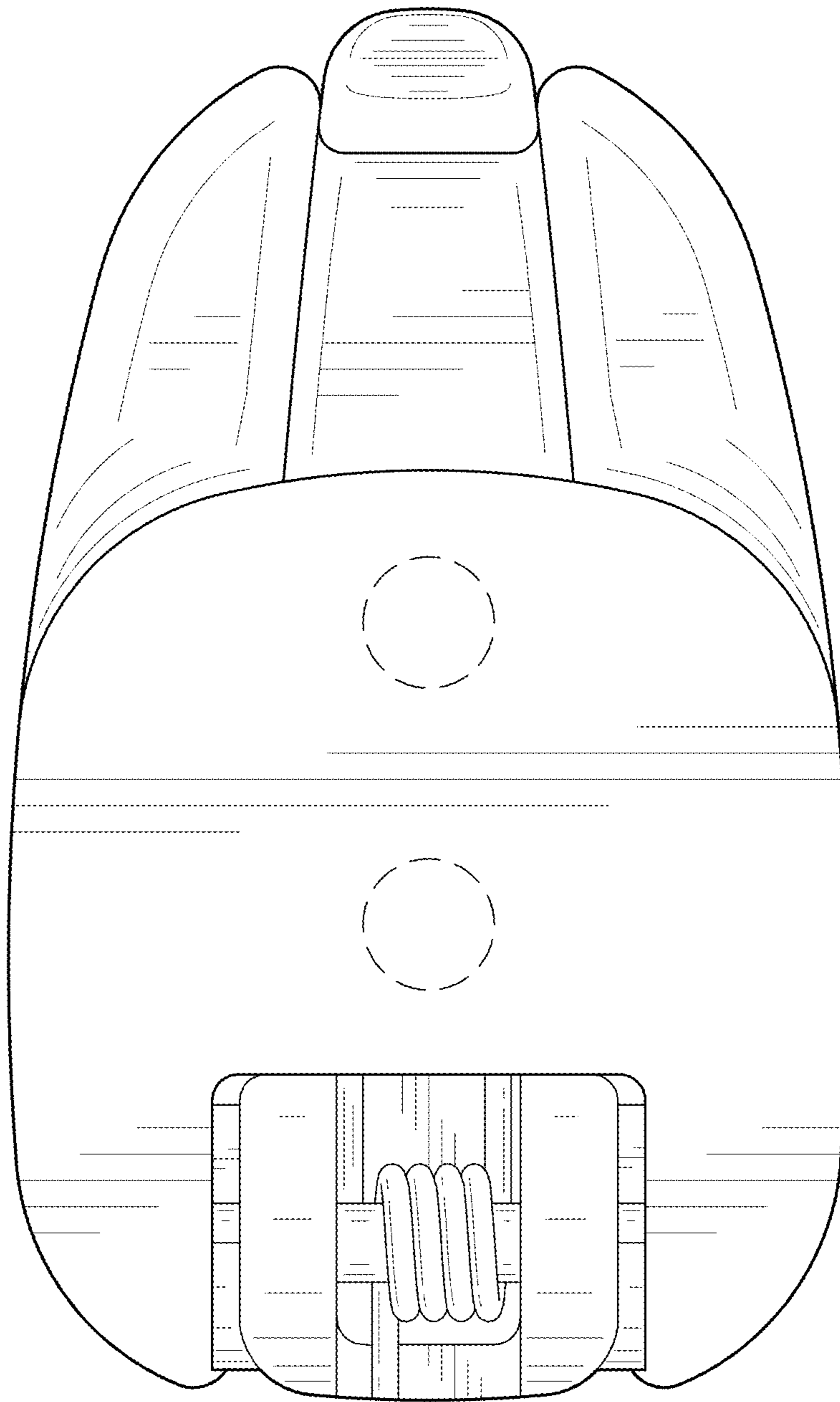


FIG.3

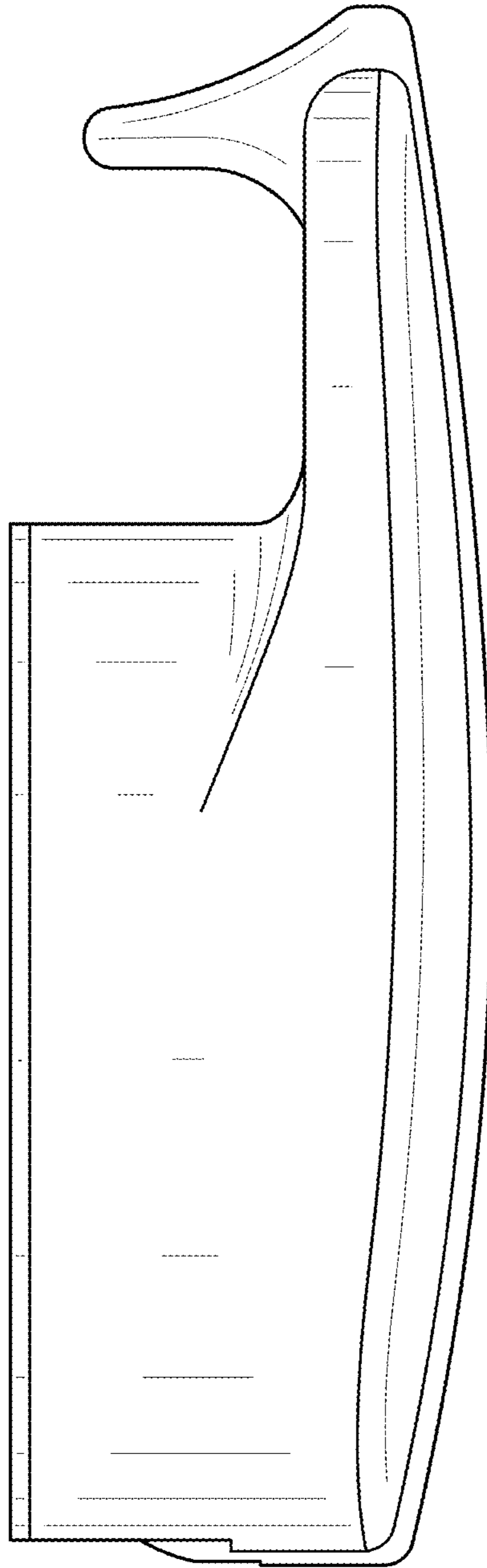


FIG.4

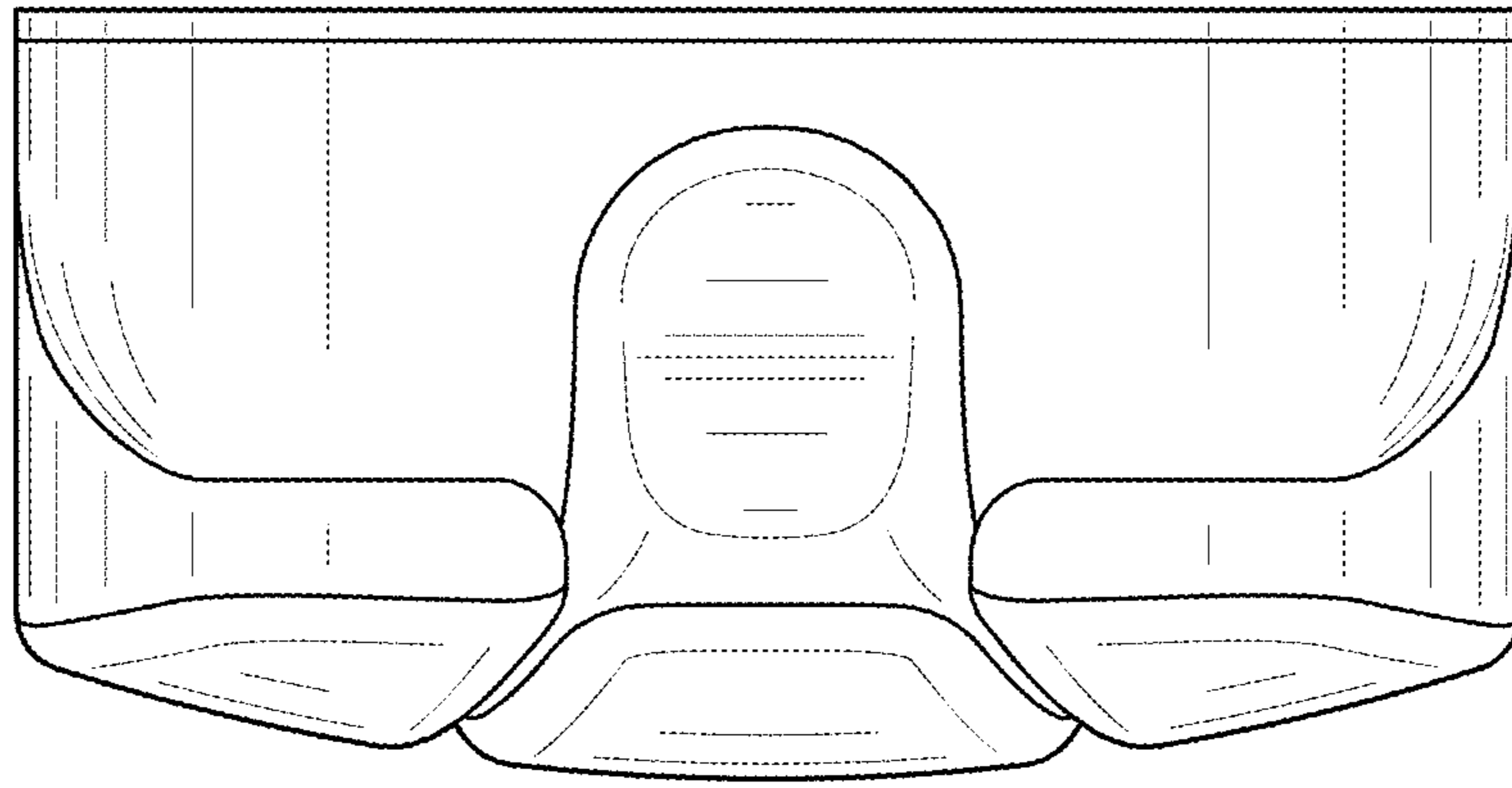


FIG.5

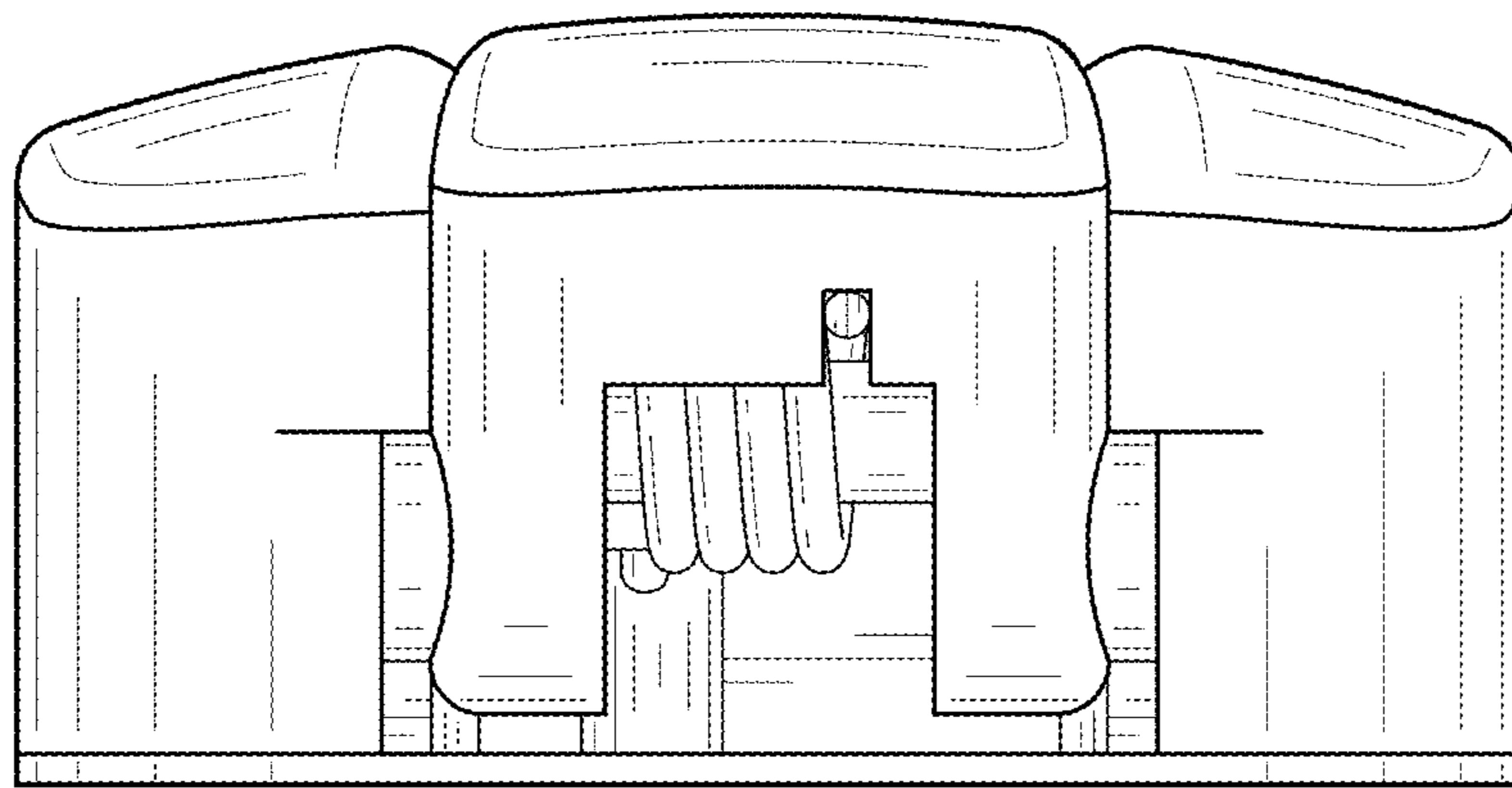


FIG.6

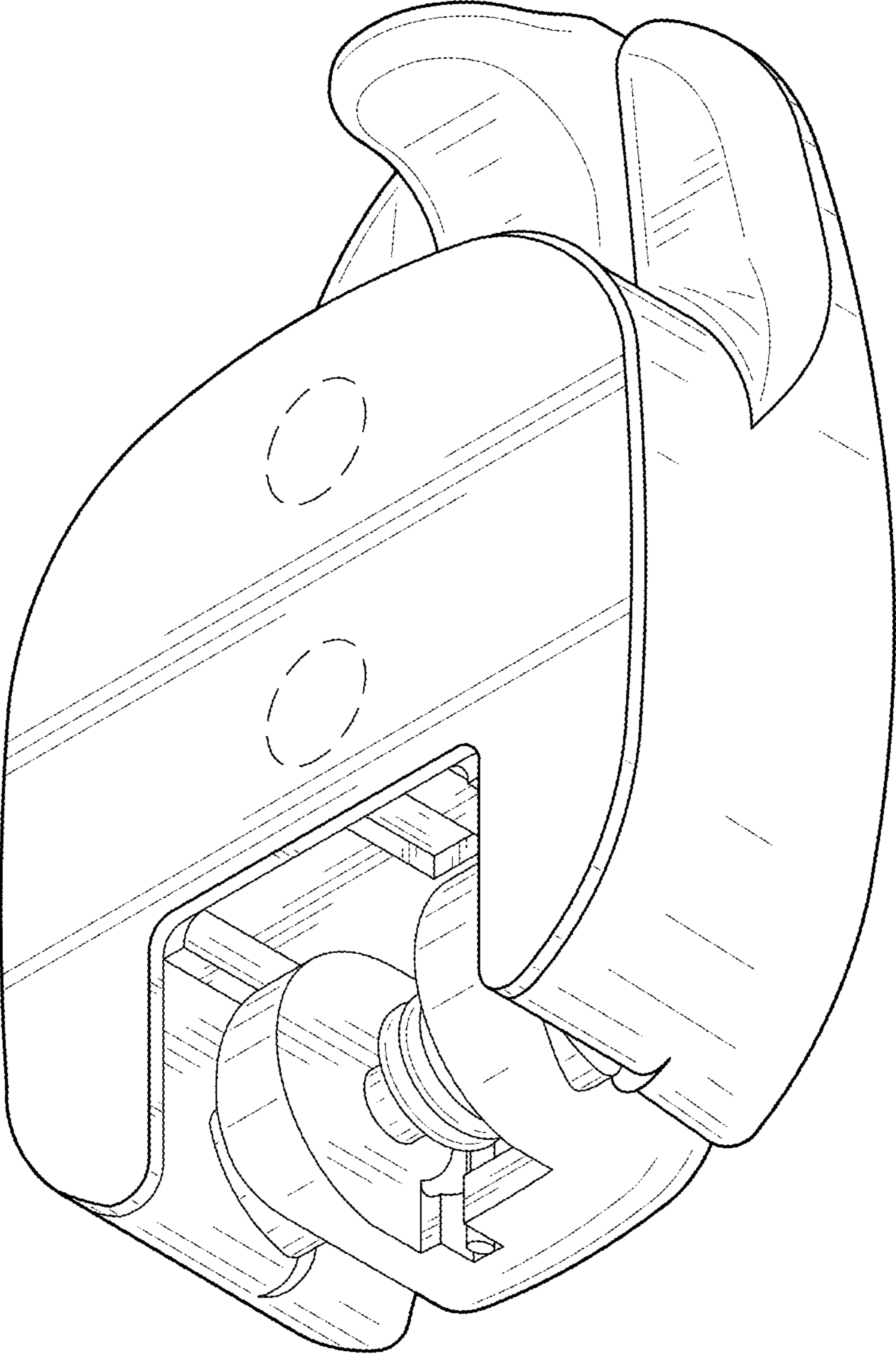


FIG.7

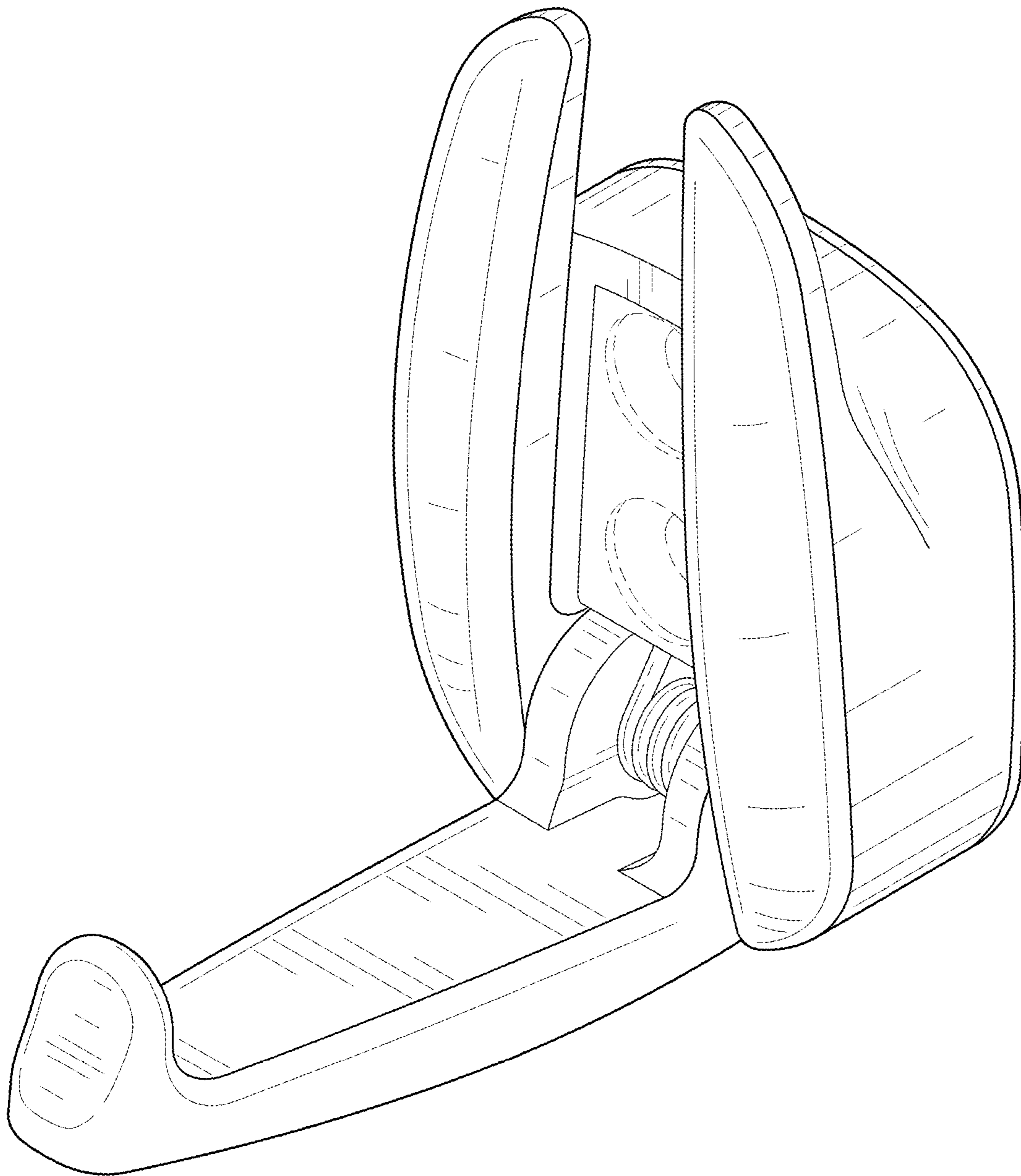


FIG.8