

US00D767973S

(12) **United States Design Patent** (10) **Patent No.:** **US D767,973 S**  
**DeDios-Shirley et al.** (45) **Date of Patent:** **\*\* Oct. 4, 2016**

(54) <b>MOUNTING APPARATUS</b>	5,227,582 A *	7/1993	Velasco .....	H04N 5/655 174/372
(71) Applicant: <b>HIDEit Mounts, Inc.</b> , Reno, NV (US)	D409,079 S *	5/1999	Sobczynski .....	D8/354
(72) Inventors: <b>Relina Belen DeDios-Shirley</b> , Reno, NV (US); <b>Charles Edward Shirley</b> , Reno, NV (US)	6,554,527 B1 *	4/2003	O'Donnell .....	F16M 13/02 403/353
(73) Assignee: <b>HIDEit Mounts, Inc.</b> , Reno, NV (US)	D710,340 S *	8/2014	Wengreen .....	D14/238.1
(**) Term: <b>15 Years</b>	D734,305 S *	7/2015	Wengreen .....	D14/238
(21) Appl. No.: <b>29/530,129</b>	D735,174 S *	7/2015	Wengreen .....	D14/238
(22) Filed: <b>Jun. 12, 2015</b>	2005/0023419 A1 *	2/2005	Frankel .....	A47J 45/02 248/206.3
(51) <b>LOC (10) Cl.</b> .....	2007/0235609 A1 *	10/2007	Chun .....	F16M 11/126 248/231.9
(52) <b>U.S. Cl.</b> .....	2012/0312950 A1 *	12/2012	Sears .....	F16M 11/041 248/316.5
(58) <b>Field of Classification Search</b>				
USPC .....				<b>D8/349</b>
CPC .....				D8/380, 349, 381, 373, 354, 363, 355; D14/432, 434, 447, 357, 299, 496, D14/203.1-203.8, 238.1; 224/246, 250, 224/269, 901.4, 930, 669, 242; 248/127, 248/307, 309.1, 918; 348/836, 843, 373, 348/376, 825
See application file for complete search history.				H05K 5/0204; H05K 7/14; F16M 13/02; H04N 5/655; H04N 5/64; G06F 1/1601; G06F 1/16; A45F 5/00; A45F 5/021; A45F 2200/0516; A45F 2200/0508; A45F 2200/0525

\* cited by examiner

*Primary Examiner* — Mark Goodwin  
(74) *Attorney, Agent, or Firm* — Holland & Hart LLP

(57) **CLAIM**  
The ornamental design for a mounting apparatus, as shown and described.

**DESCRIPTION**

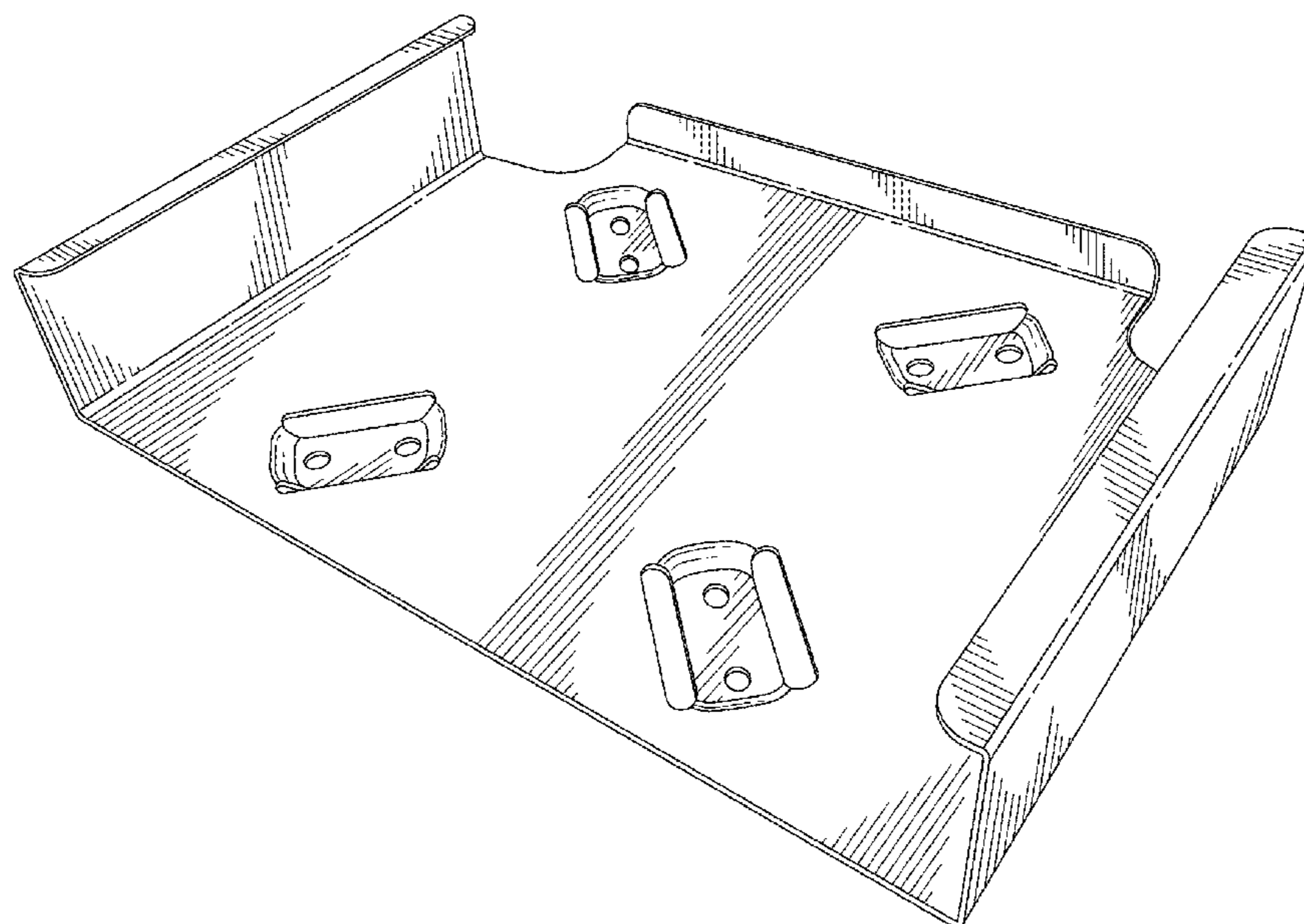
FIG. 1 is a perspective view of the mounting apparatus showing our new design;  
FIG. 2 is a top plan view of the mounting apparatus shown in FIG. 1;  
FIG. 3 is a bottom plan view of the mounting apparatus shown in FIG. 1;  
FIG. 4 is a right side elevational view of the mounting apparatus shown in FIG. 1;  
FIG. 5 is a left side elevational view of the mounting apparatus shown in FIG. 1;  
FIG. 6 is a front elevational view of the mounting apparatus shown in FIG. 1; and,  
FIG. 7 is a back elevational view of the mounting apparatus shown in FIG. 1.

**1 Claim, 5 Drawing Sheets**

(56) **References Cited**

**U.S. PATENT DOCUMENTS**

D242,766 S \* 12/1976 Neece ..... D12/223  
4,467,244 A \* 8/1984 Dickie ..... H04N 5/655  
313/482



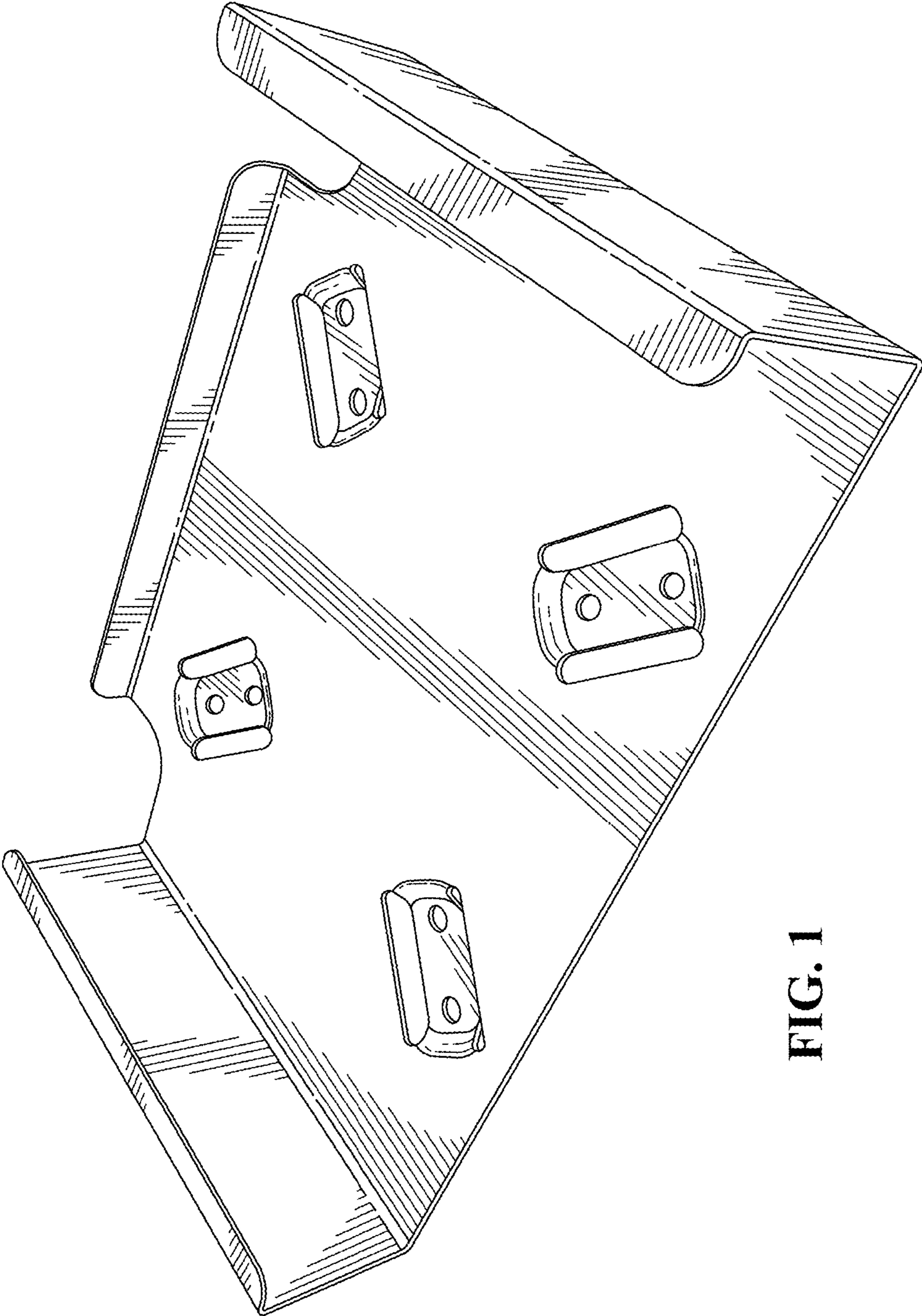


FIG. 1

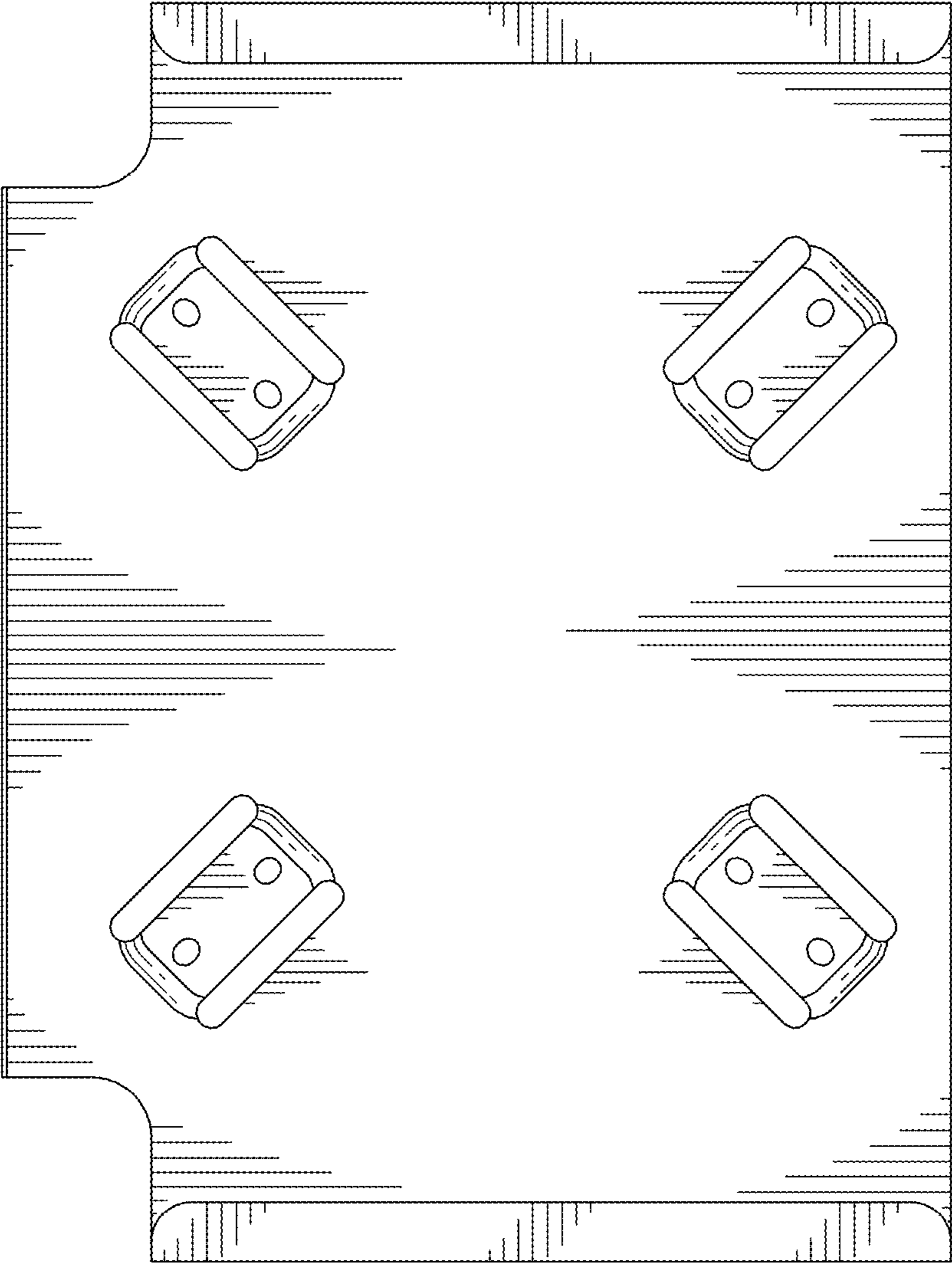


FIG. 2

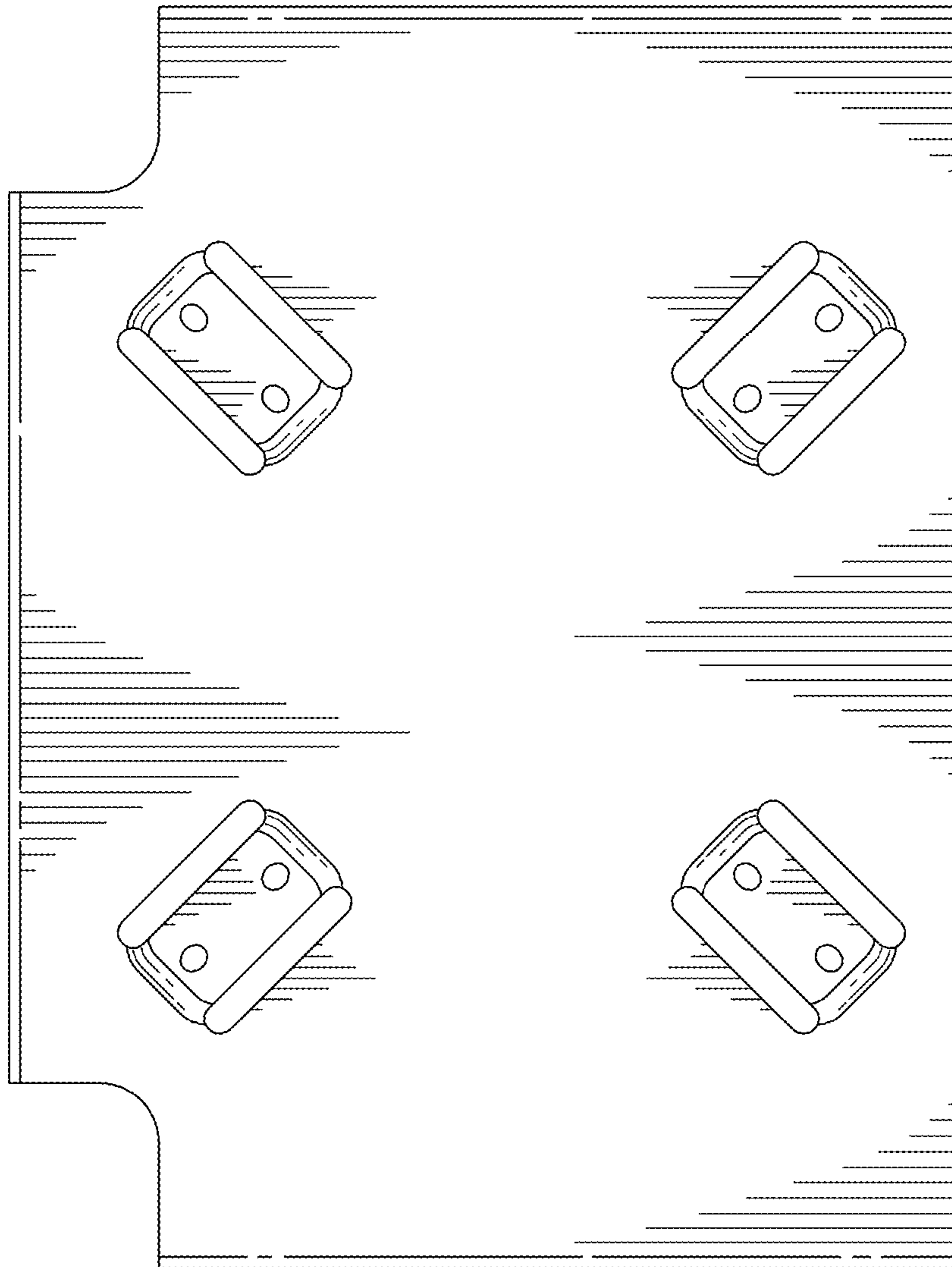


FIG. 3



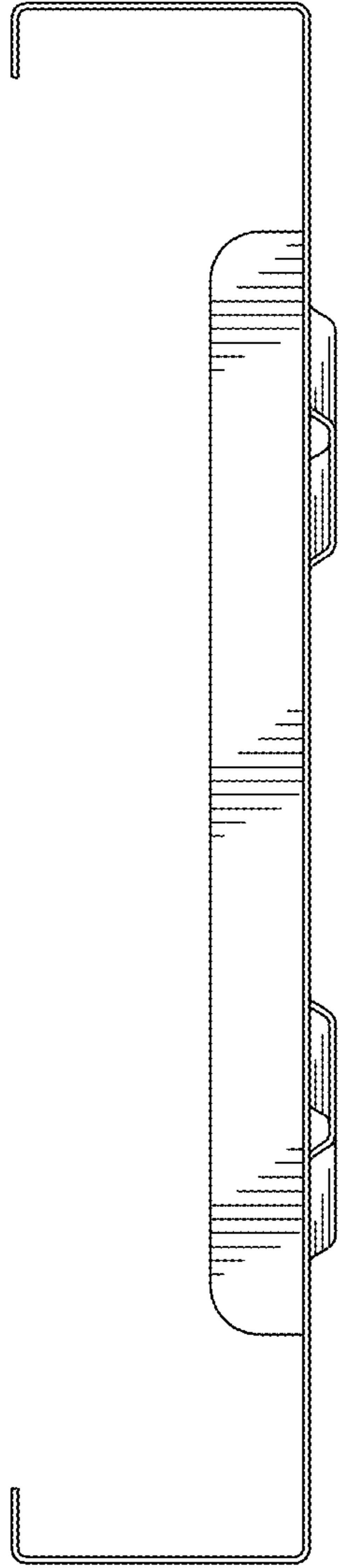


FIG. 4

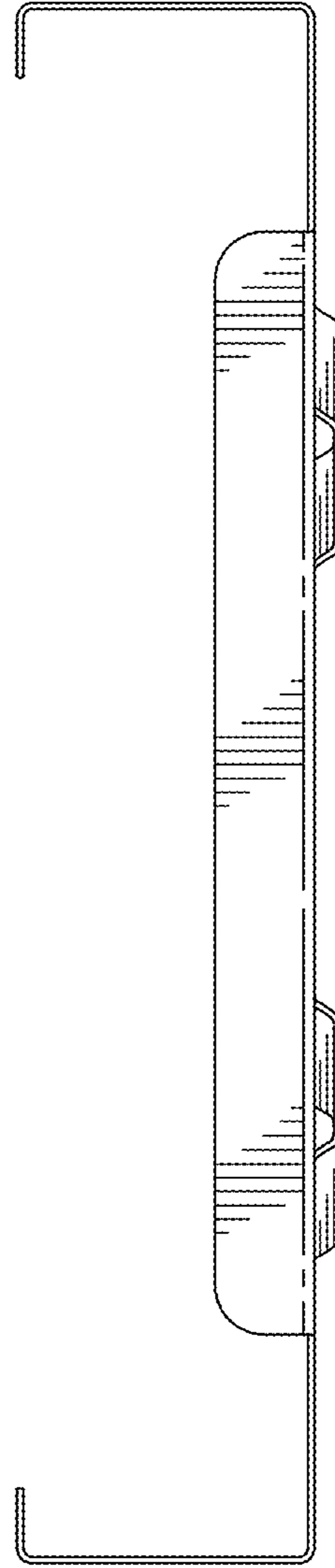


FIG. 5

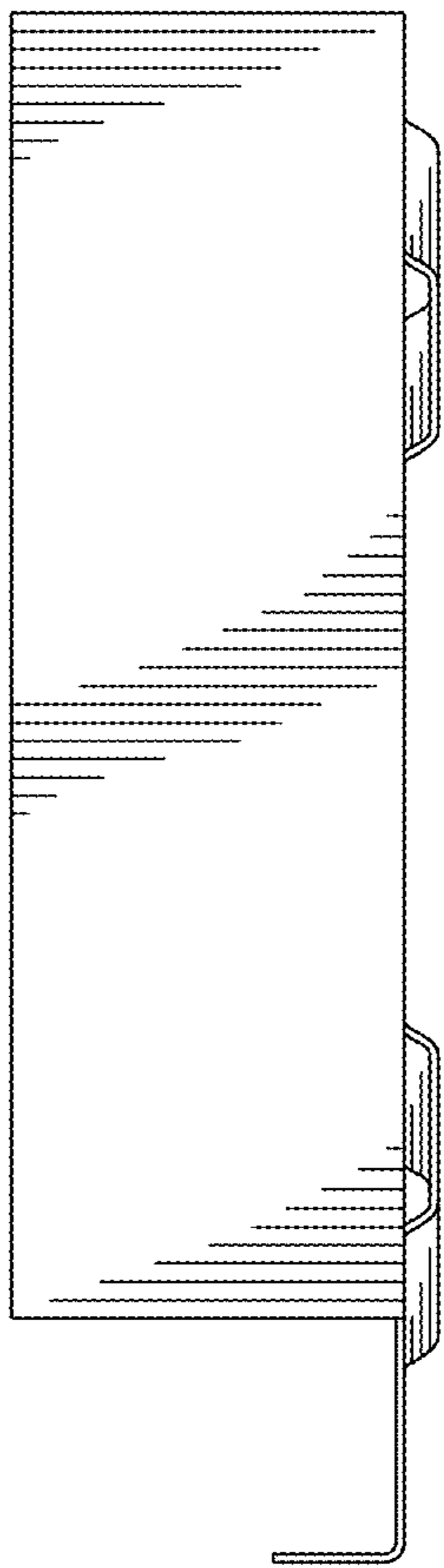


FIG. 6

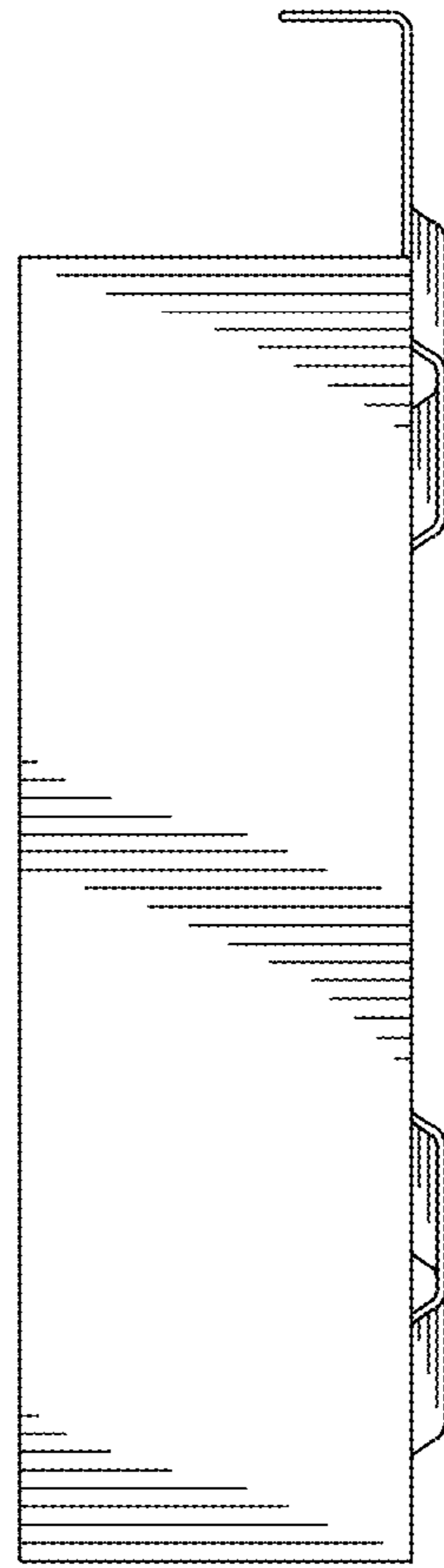


FIG. 7