

US00D767972S

(12) **United States Design Patent** (10) **Patent No.:** **US D767,972 S**
Huang (45) **Date of Patent:** **** Oct. 4, 2016**

(54) **PORTION OF ESCUTCHEON FOR A LOCK DEVICE**

(71) Applicant: **TAIWAN FU HSING INDUSTRIAL CO., LTD.**, Kaohsiung (TW)

(72) Inventor: **Fu-Chih Huang**, Kaohsiung (TW)

(73) Assignee: **TAIWAN FU HSING INDUSTRIAL CO., LTD.**, Kaohsiung (TW)

(**) Term: **15 Years**

(21) Appl. No.: **29/538,710**

(22) Filed: **Sep. 8, 2015**

(30) **Foreign Application Priority Data**

Aug. 10, 2015 (TW) 104304304

(51) **LOC (10) Cl.** **08-07**

(52) **U.S. Cl.**
USPC **D8/330; D8/350**

(58) **Field of Classification Search**
USPC D8/330, 331, 336, 338, 339, 340, 343, D8/350-353, 300, 301; 70/14, 20, 51, 57, 70/57.1, 91, 107, 141, 472, 277, 279.1, 70/284-286, 314, DIG. 44; 292/2, 32, 137, 292/288, 289, 290, 292
CPC G05B 19/00; G05B 15/00; E05B 49/00; E05B 49/02; E05B 9/00; E05B 17/00; E05B 37/00; E05B 3/00; E05B 13/103; E05B 1/00; E05B 47/00; Y10T 70/8324; Y10T 70/8459; Y10T 70/8514; Y10T 70/8568

See application file for complete search history.

(56) **References Cited**

U.S. PATENT DOCUMENTS

D271,374 S * 11/1983 Butts D8/353
D297,404 S * 8/1988 Yandek D13/164

D297,407 S * 8/1988 Yandek D13/171
D297,408 S * 8/1988 Yandek D13/125
D297,409 S * 8/1988 Yandek D13/125
D297,507 S * 9/1988 Yandek D13/171
D508,393 S * 8/2005 Gao D8/352
D552,966 S * 10/2007 Roberts D8/330
D552,967 S * 10/2007 Roberts D8/330
D552,968 S * 10/2007 Roberts D8/330
D626,633 S * 11/2010 Montgomery D23/254
D635,441 S * 4/2011 Roberts, III D8/330
D635,444 S * 4/2011 Roberts, III D8/330
D637,474 S * 5/2011 Schneider D8/330
7,984,631 B2 * 7/2011 Case E05B 15/02
70/278.1
D645,726 S * 9/2011 Lu D8/330
D645,727 S * 9/2011 Bergmann D8/350

(Continued)

FOREIGN PATENT DOCUMENTS

CN 303105935 S 2/2015
TW D159262 S 3/2014

(Continued)

Primary Examiner — Mark Goodwin

(74) *Attorney, Agent, or Firm* — Winston Hsu; Scott Margo

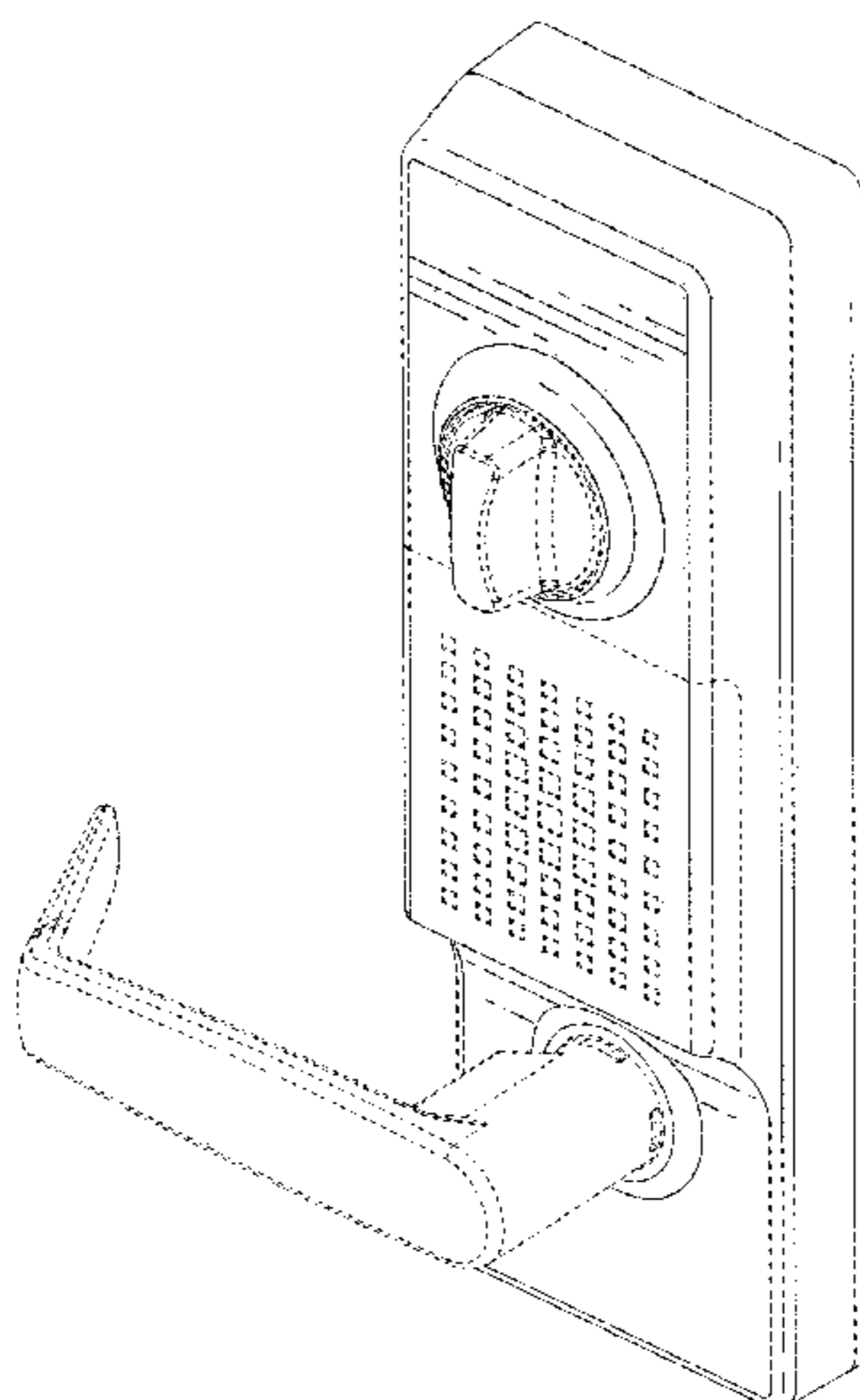
(57) **CLAIM**

The ornamental design for a portion of escutcheon for a lock device, as shown and described.

DESCRIPTION

FIG. 1 is a front perspective view of a portion of escutcheon for a lock device showing my new design;
FIG. 2 is a front elevational view thereof;
FIG. 3 is a rear elevational view thereof;
FIG. 4 is a left side elevational view thereof;
FIG. 5 is a right side elevational view thereof;
FIG. 6 is a top plan view thereof; and,
FIG. 7 is a bottom plan view thereof.
The broken lines are for illustrative purposes only and form no part of the claimed design.

1 Claim, 7 Drawing Sheets



(56)

References Cited

U.S. PATENT DOCUMENTS

D675,081 S * 1/2013 Clark D8/353
 D675,082 S * 1/2013 Clark D8/353
 D675,083 S * 1/2013 Clark D8/353
 D682,656 S * 5/2013 Cramer D8/331
 D682,657 S * 5/2013 Roberts, III D8/331
 D682,658 S * 5/2013 Cramer D8/331
 D683,205 S * 5/2013 Cramer D8/331
 D693,203 S * 11/2013 Mostert D8/330
 D693,204 S * 11/2013 Mostert D8/330
 D693,205 S * 11/2013 Mostert D8/330
 D693,206 S * 11/2013 Mostert D8/330
 D693,667 S * 11/2013 Mostert D8/330
 D699,096 S * 2/2014 Chan D8/331
 D722,260 S * 2/2015 Warmenhoven D8/330

D736,590 S * 8/2015 Roberts, III D8/330
 D736,591 S * 8/2015 Groleski D8/330
 D737,117 S 8/2015 Chan
 D737,657 S * 9/2015 Nadgouda D8/331
 D737,661 S 9/2015 Chan
 D738,186 S * 9/2015 Nadgouda D8/331
 D738,192 S * 9/2015 Hetfield D8/350
 D756,196 S * 5/2016 Huang D8/330
 D756,748 S * 5/2016 Lu D8/331
 D756,749 S * 5/2016 Lu D8/331

FOREIGN PATENT DOCUMENTS

TW D165886 S 2/2015
 TW D165887 S 2/2015

* cited by examiner

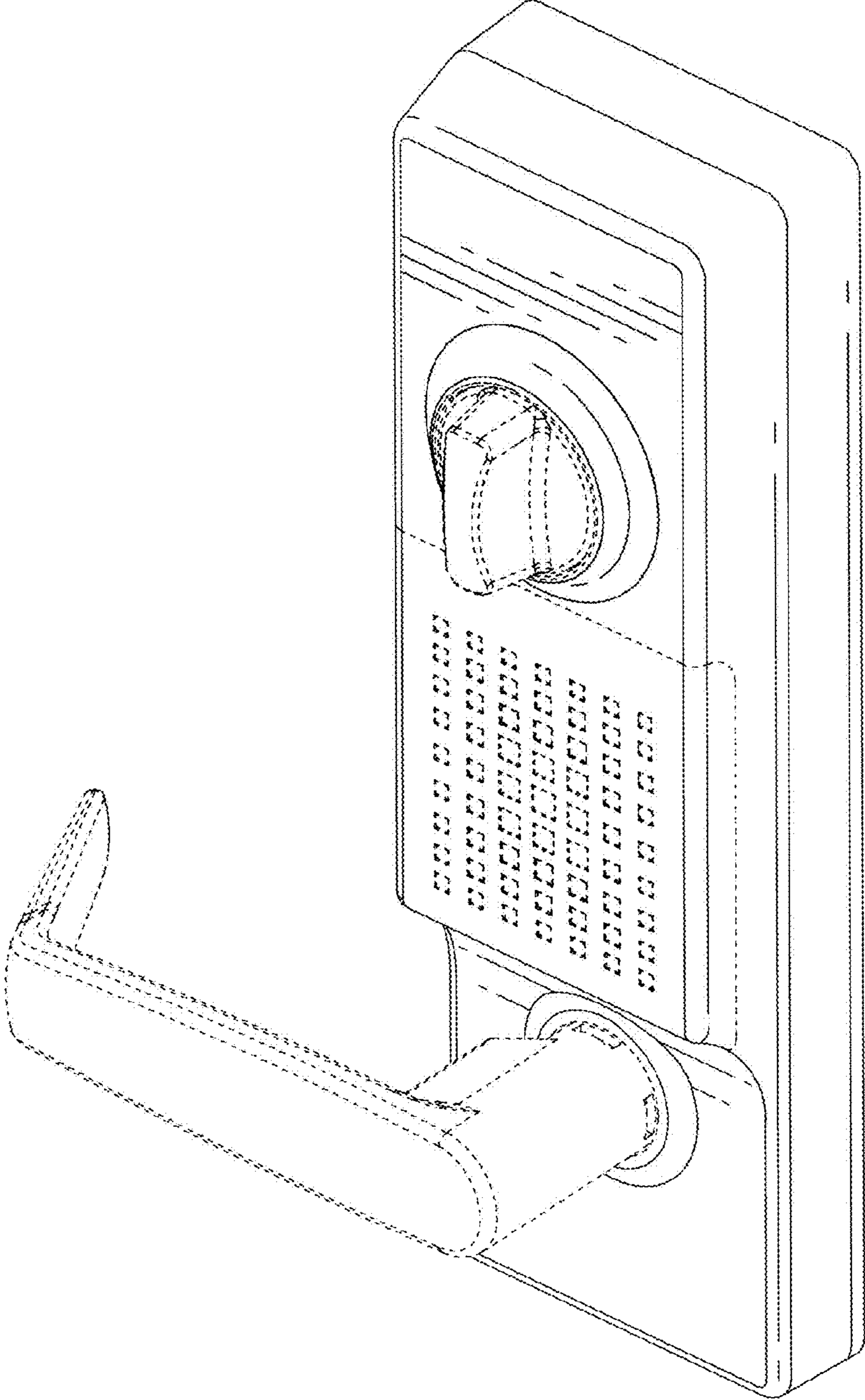


FIG. 1

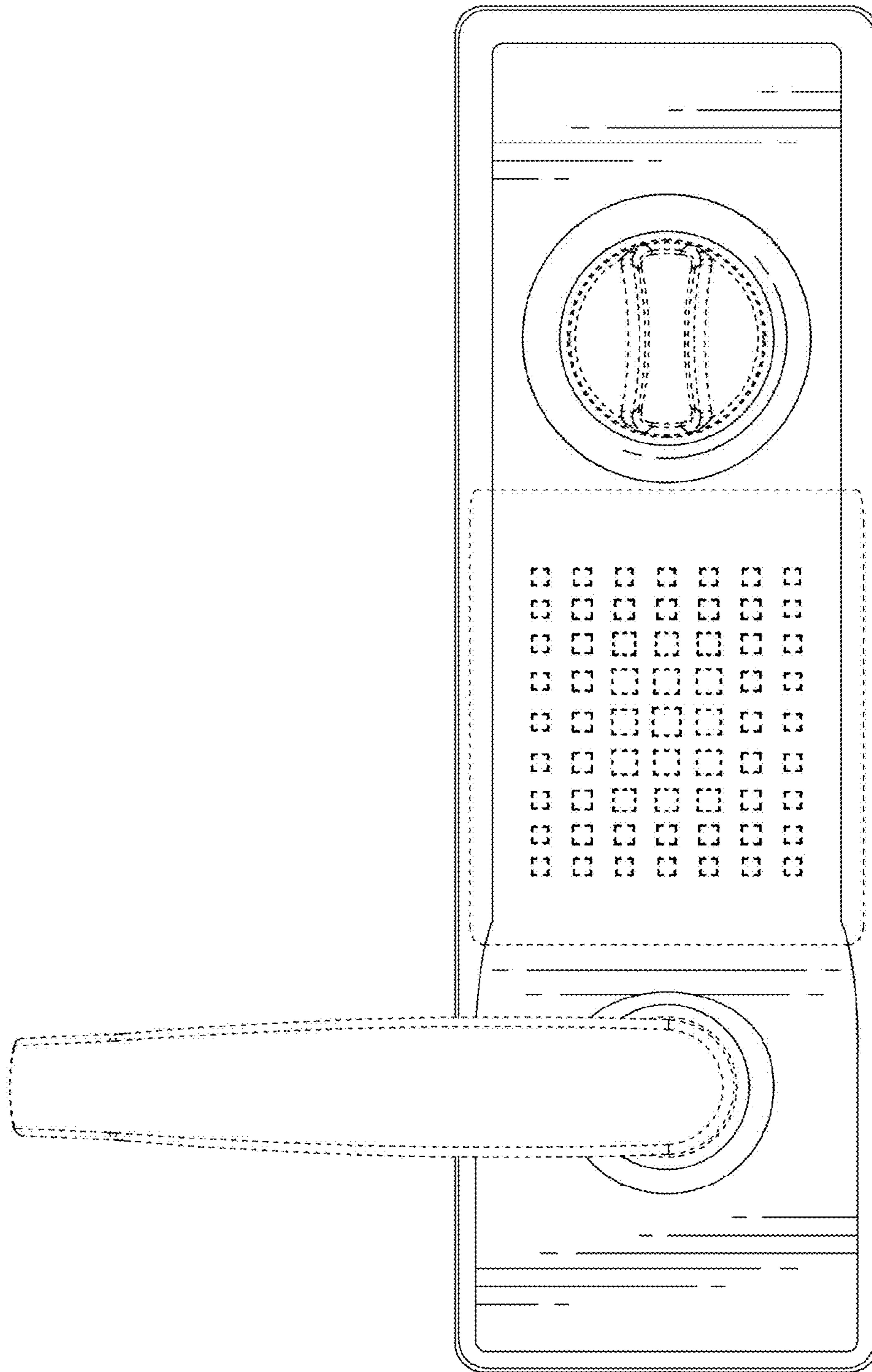


FIG. 2

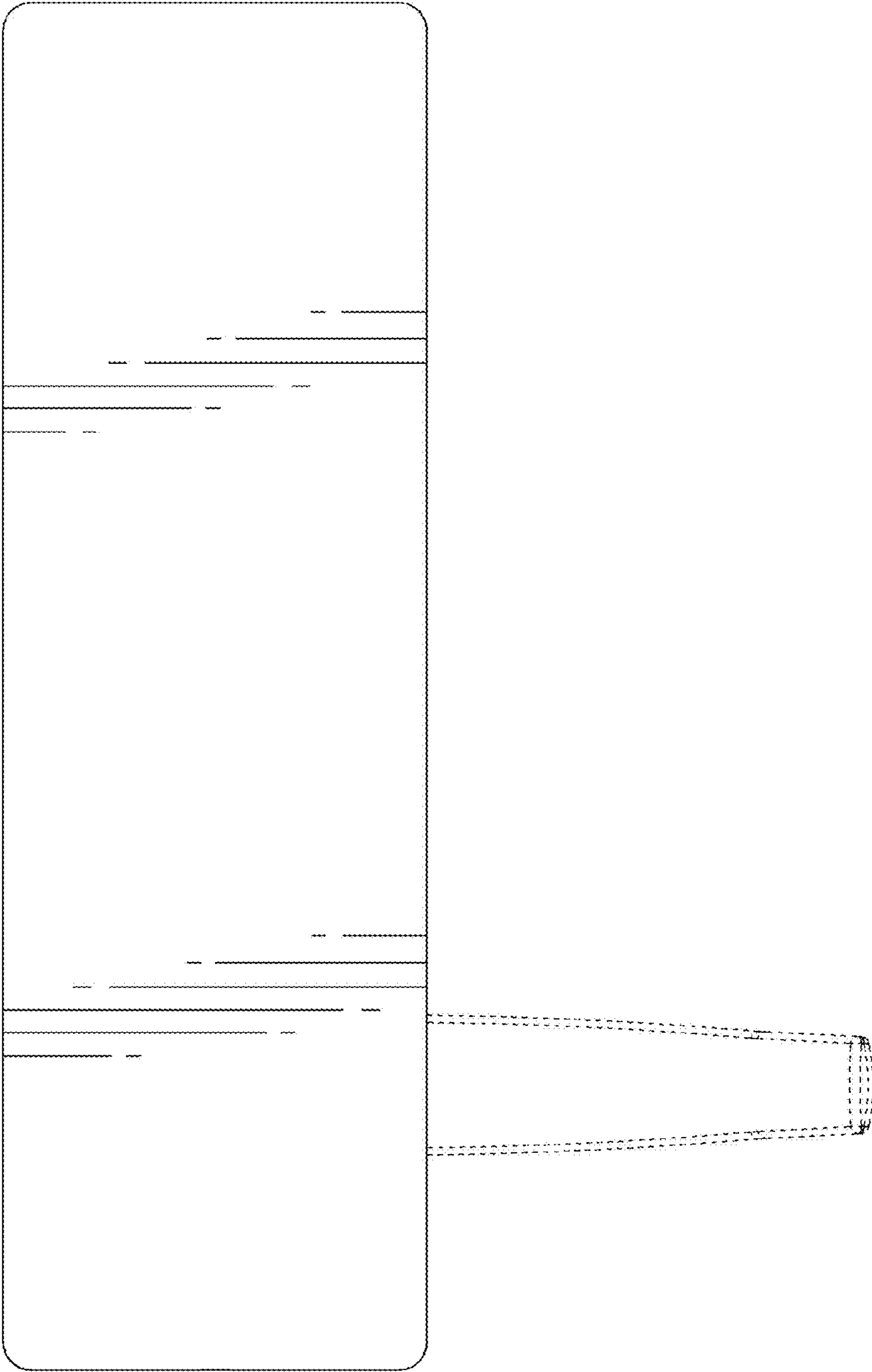


FIG. 3

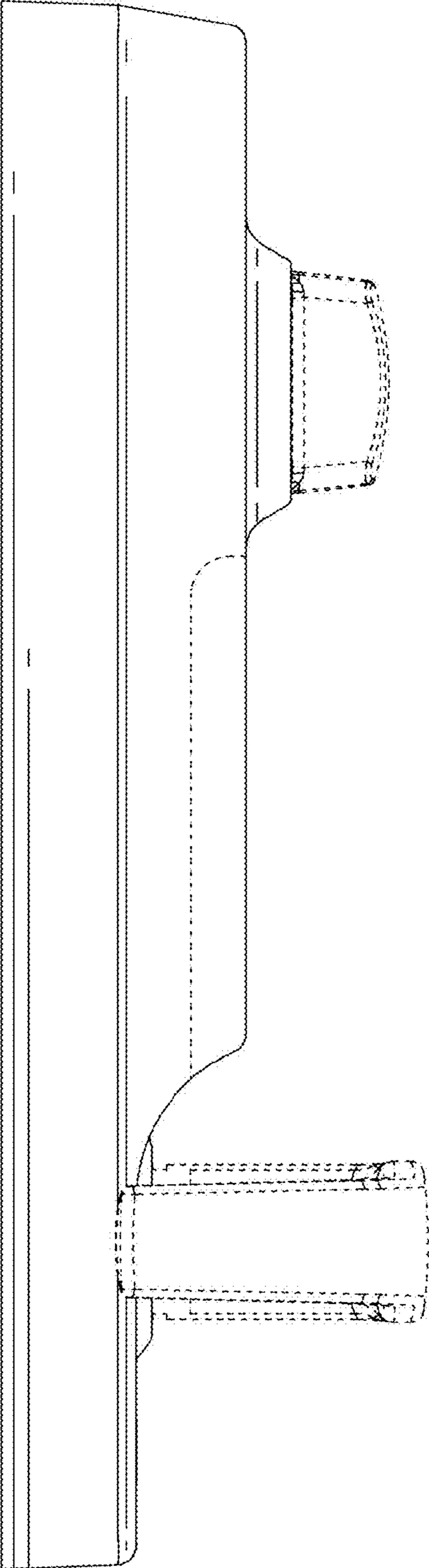


FIG. 4

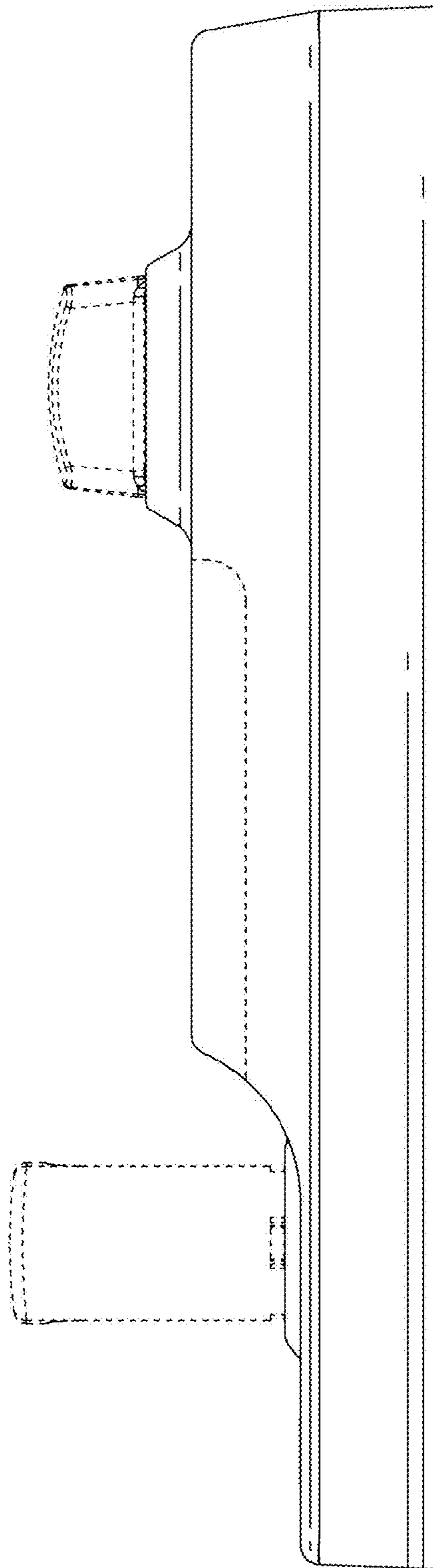


FIG. 5

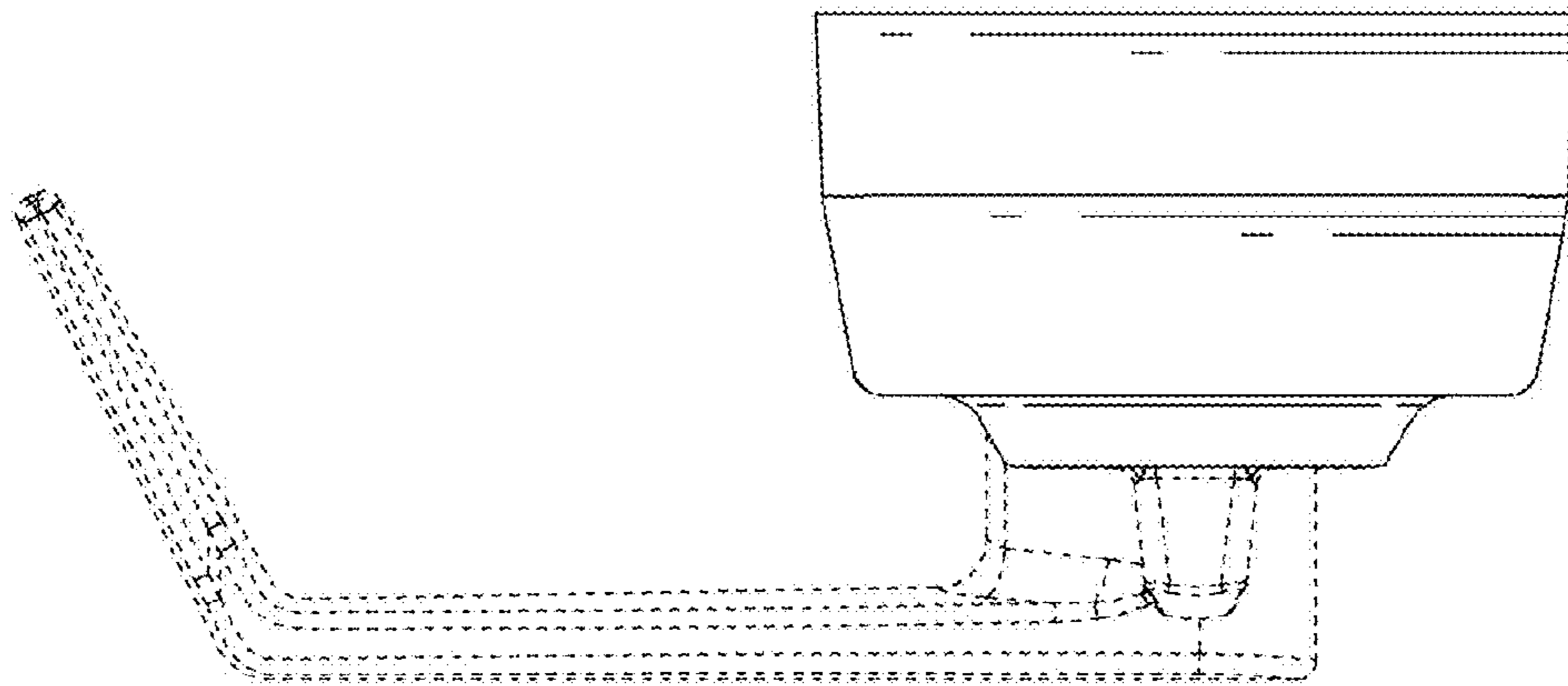


FIG. 6

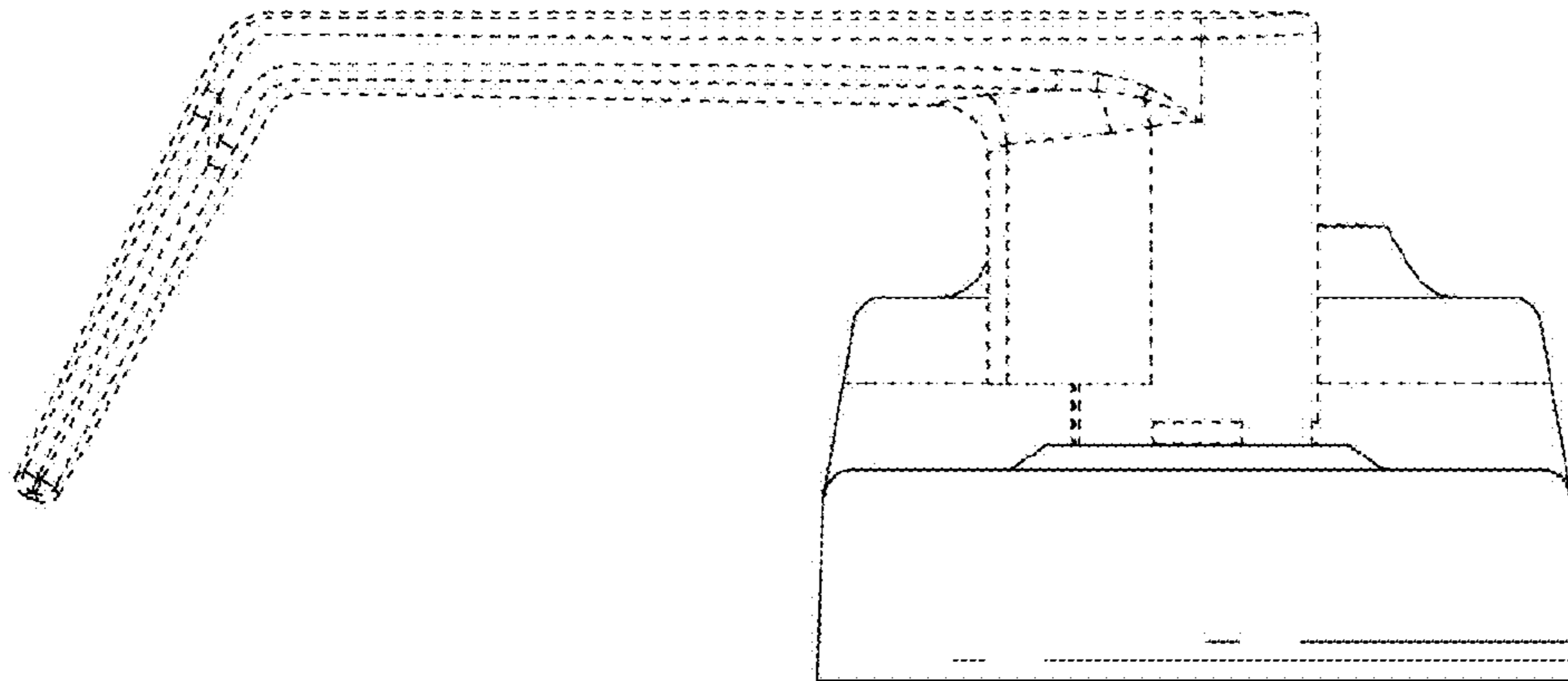


FIG. 7