

US00D767971S

(12) **United States Design Patent** (10) **Patent No.:** **US D767,971 S**
Shargh (45) **Date of Patent:** **** Oct. 4, 2016**

(54) **DOOR HANDLE**
(71) Applicant: **HAMPTON PRODUCTS INTERNATIONAL CORPORATION**, Foothill Ranch, CA (US)
(72) Inventor: **Hossein Molaie Shargh**, Rancho Santa Margarita, CA (US)
(73) Assignee: **Hampton Products International Corporation**, Foothill Ranch, CA (US)
(**) Term: **14 Years**
(21) Appl. No.: **29/508,679**
(22) Filed: **Nov. 10, 2014**
(51) **LOC (10) Cl.** **08-06**
(52) **U.S. Cl.**
USPC **D8/310**
(58) **Field of Classification Search**
USPC D8/107, 300-309, 310-312; D7/393, D7/394, 396; D12/179; 16/110.1, 414, 16/417, 421, 422, 430; D3/318; D23/238, D23/242, 252; 292/33.6; 74/523, 543; 70/192, 201, 206, 207
CPC Y10T 16/469; Y10T 16/476; Y10T 74/20612; Y10T 74/20287; Y10T 74/2084; Y10T 74/20732; Y10T 74/20828; Y10T 16/466; Y10T 74/20864; Y10T 16/44; Y10T 16/506; Y10T 16/46; Y10T 292/82; Y10T 16/4636; Y10T 16/458; Y10T 16/4559; Y10T 16/487; Y10T 16/459; Y10T 74/20018; Y10T 74/20134; Y10T 74/2045; Y10T 292/85; Y10T 29/49599; Y10T 74/20159; Y10T 16/4576; Y10T 70/8378; B62M 25/04; B62M 2701/0053; B62M 2025/003; Y10S 16/12; Y10S 16/30; Y10S 16/19; Y10S 16/40; Y10S 292/02; Y10S 16/902
See application file for complete search history.

(56) **References Cited**
U.S. PATENT DOCUMENTS
2,900,204 A * 8/1959 Pelcin E05C 1/145 292/153
D189,524 S * 1/1961 Savage D8/302
(Continued)

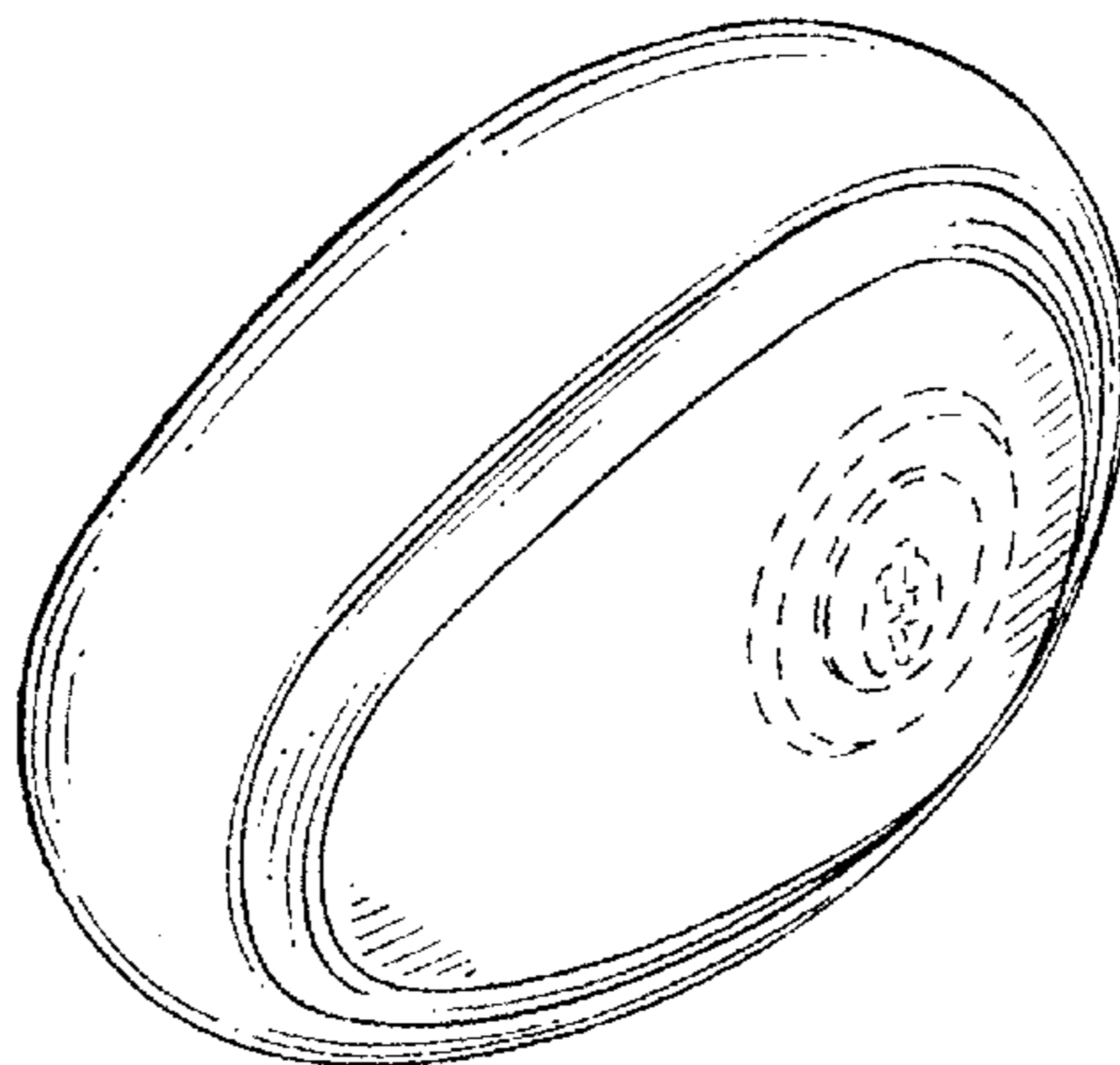
Primary Examiner — Derrick Holland
Assistant Examiner — Lauren Calve
(74) *Attorney, Agent, or Firm* — Klein, O'Neill & Singh, LLP

(57) **CLAIM**
The ornamental design for a door handle, as shown and described.

DESCRIPTION

FIG. 1 is a front, top, left side perspective view, of a door handle, in accordance with my new design;
FIG. 2 is a top plan view thereof;
FIG. 3 is a front elevational view thereof;
FIG. 4 is a bottom plan view thereof;
FIG. 5 is a left side elevational view thereof;
FIG. 6 is a right side elevational view thereof;
FIG. 7 is rear elevational view thereof;
FIG. 8 is a front, top, left side perspective view of a door handle, in accordance with a second embodiment of my new design;
FIG. 9 is a top plan view thereof;
FIG. 10 is a front elevational view thereof;
FIG. 11 is a bottom plan view of thereof;
FIG. 12 is a left side elevational view thereof;
FIG. 13 is a right side elevational view thereof;
FIG. 14 is rear elevational view thereof;
FIG. 15 is a front, top, left side perspective view of a door handle, in accordance with a third embodiment of my new design;
FIG. 16 is a top plan view thereof;
FIG. 17 is a front elevational view thereof;
FIG. 18 is a bottom plan view thereof;
FIG. 19 is a left side elevational view thereof;
FIG. 20 is a right side elevational view thereof; and,
FIG. 21 is rear elevational view thereof.
The broken lines shown represent unclaimed subject matter and form no part of the claimed design.

1 Claim, 15 Drawing Sheets



(56)

References Cited

U.S. PATENT DOCUMENTS

3,055,204 A *	9/1962	Pelcin	E05C 1/145 292/170	D453,897 S *	2/2002	LaPlume	D8/301
4,334,492 A *	6/1982	Klingler	G05G 1/10 116/309	D462,143 S *	8/2002	Dombrowski	D28/48
D271,464 S *	11/1983	Carlson	D8/301	D470,741 S *	2/2003	Fields	D8/305
D303,618 S *	9/1989	Russell	D8/302	D502,086 S *	2/2005	Denoual	D8/302
D360,345 S *	7/1995	Swan	D8/308	D517,895 S *	3/2006	Chen	D32/48
D362,609 S *	9/1995	Ellis	D8/302	D525,515 S *	7/2006	Antkowiak	D8/308
D423,902 S *	5/2000	Libby	D8/301	D543,088 S *	5/2007	Ricereto	D8/310
D423,903 S *	5/2000	Keller	D8/307	D546,658 S *	7/2007	Singtoroj	D8/301
D444,695 S *	7/2001	Decosse	D8/310	D643,268 S *	8/2011	Mah	D8/41
D446,438 S *	8/2001	Ciaramitaro	D26/51	D682,068 S *	5/2013	Pulford, Jr.	D8/303
				D722,412 S *	2/2015	Tsai	D32/46
				D749,930 S *	2/2016	Sanchez	D8/310
				2002/0121786 A1 *	9/2002	Meinke	E05B 85/107 292/347

* cited by examiner

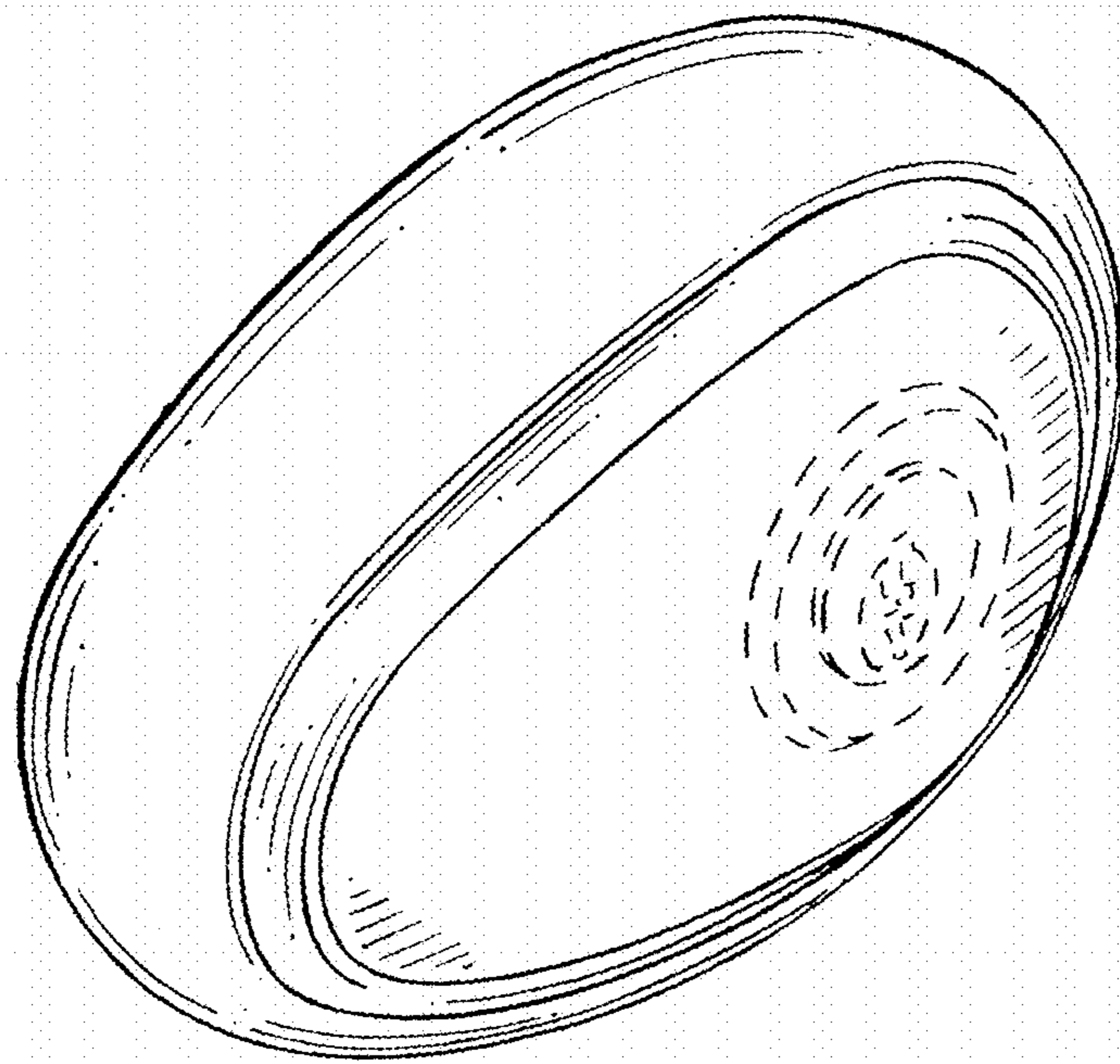


FIG. 1

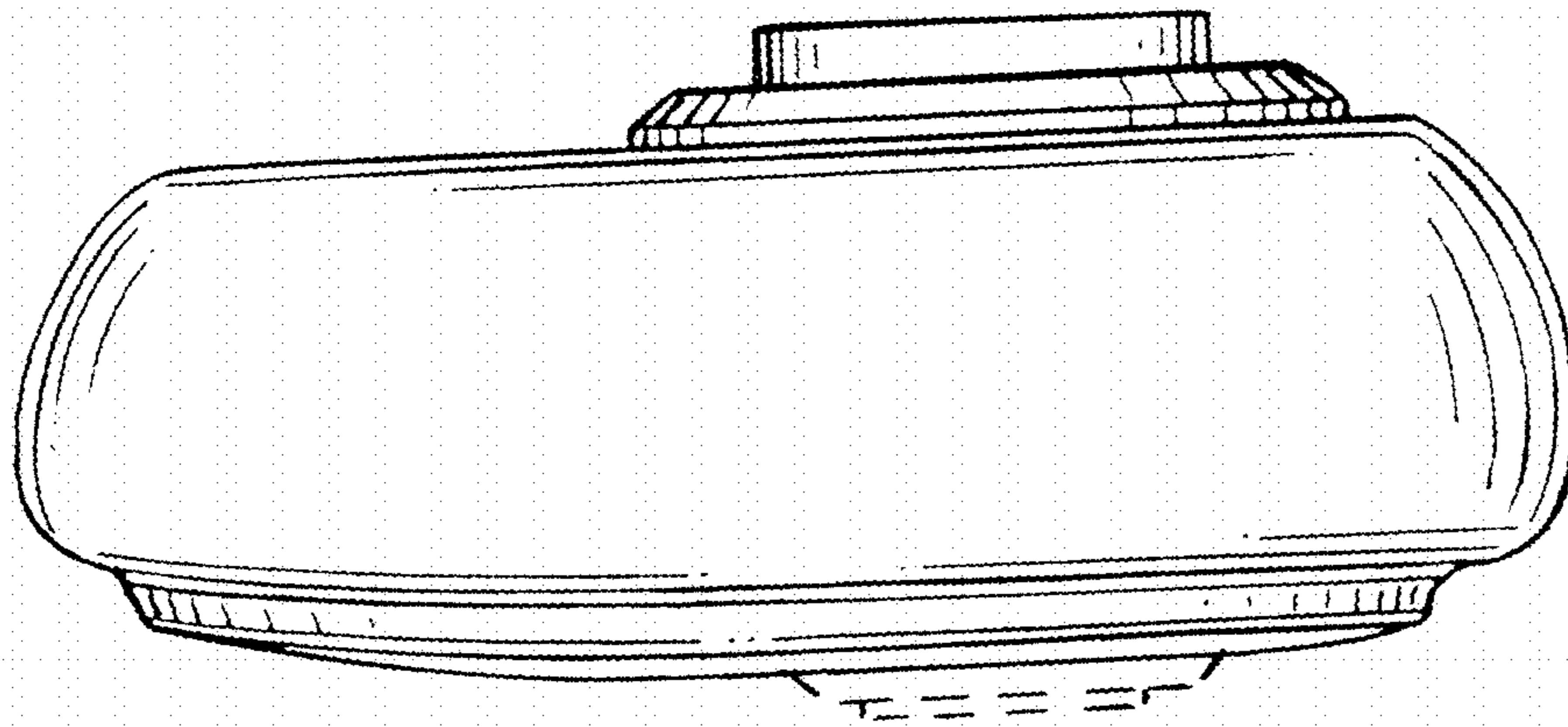


FIG. 2

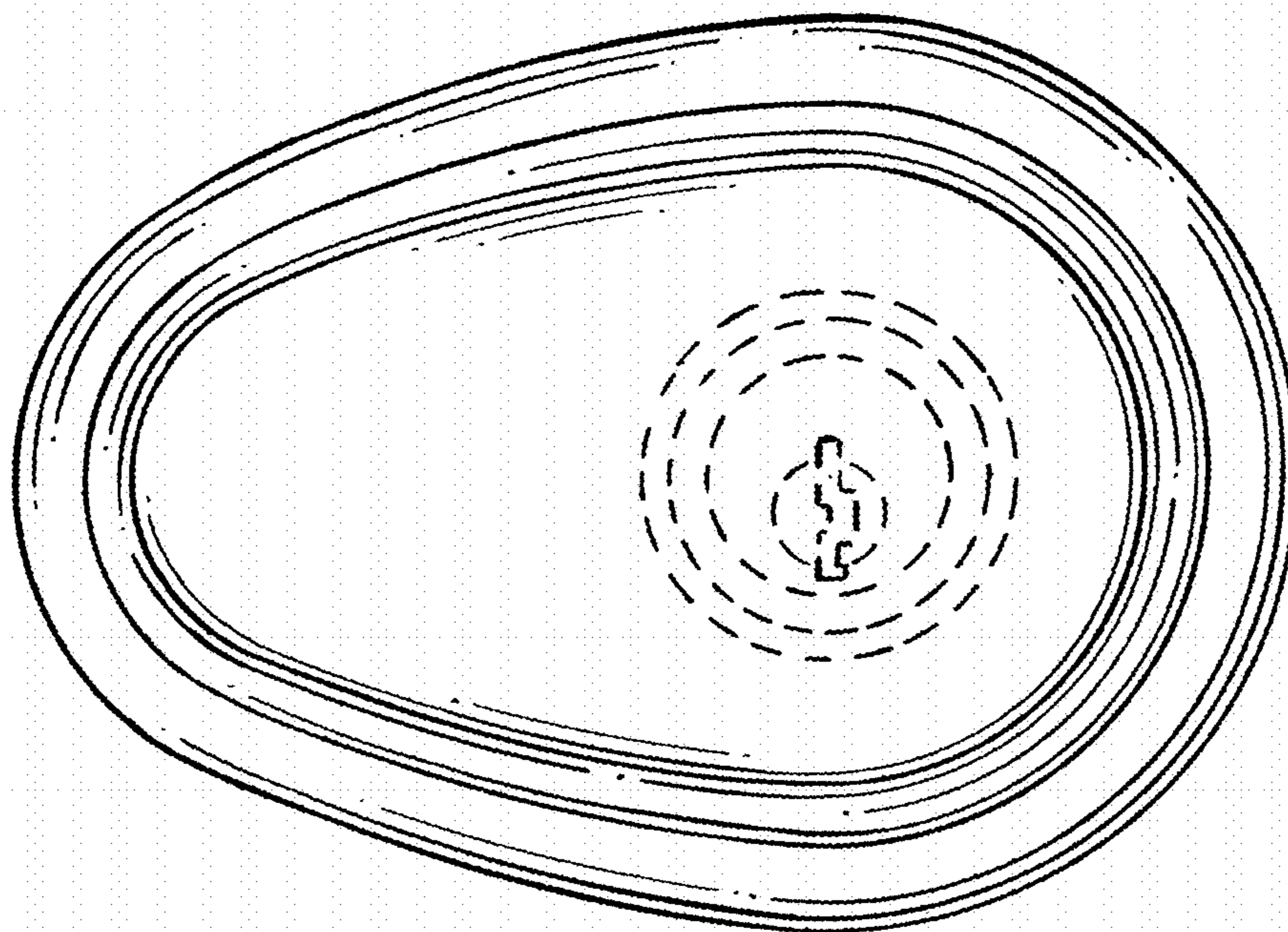


FIG. 3

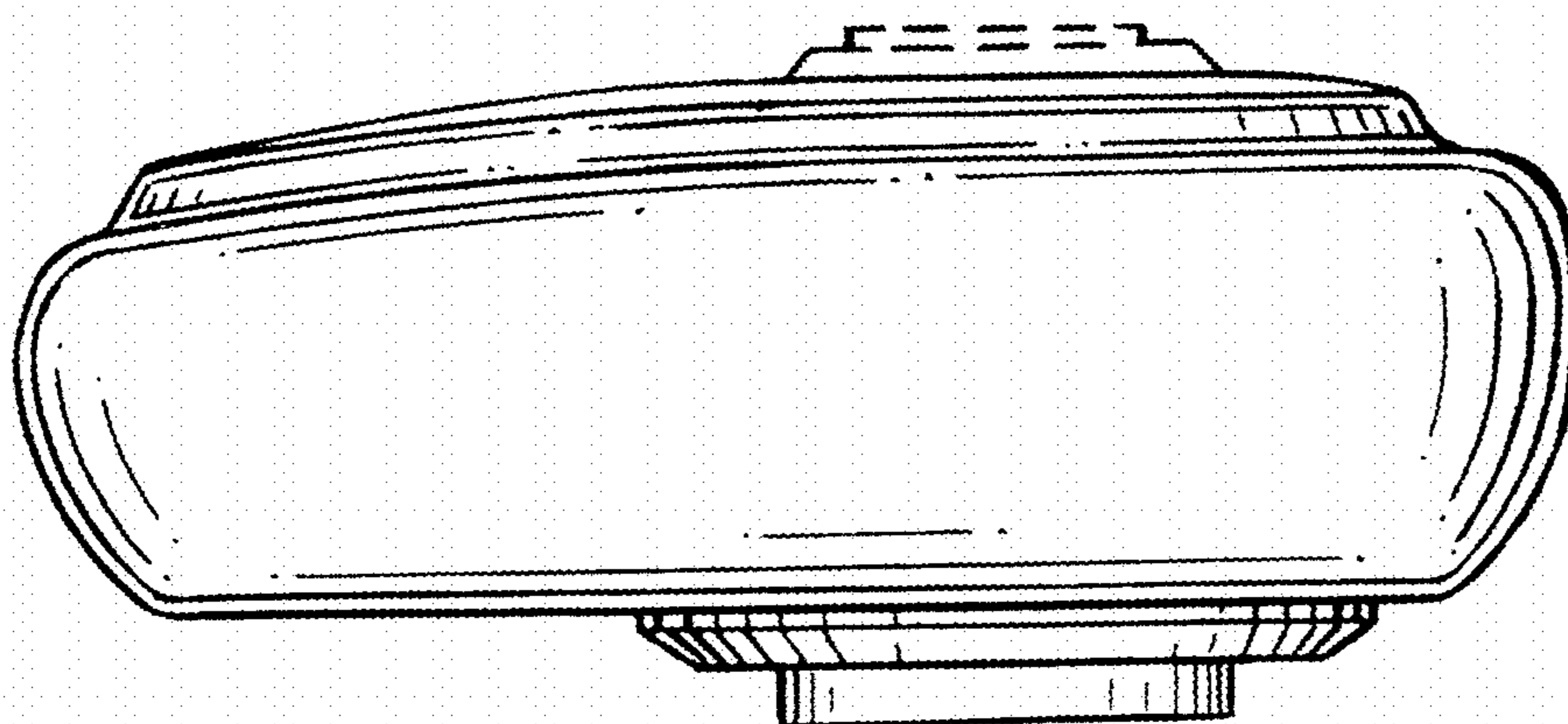


FIG. 4

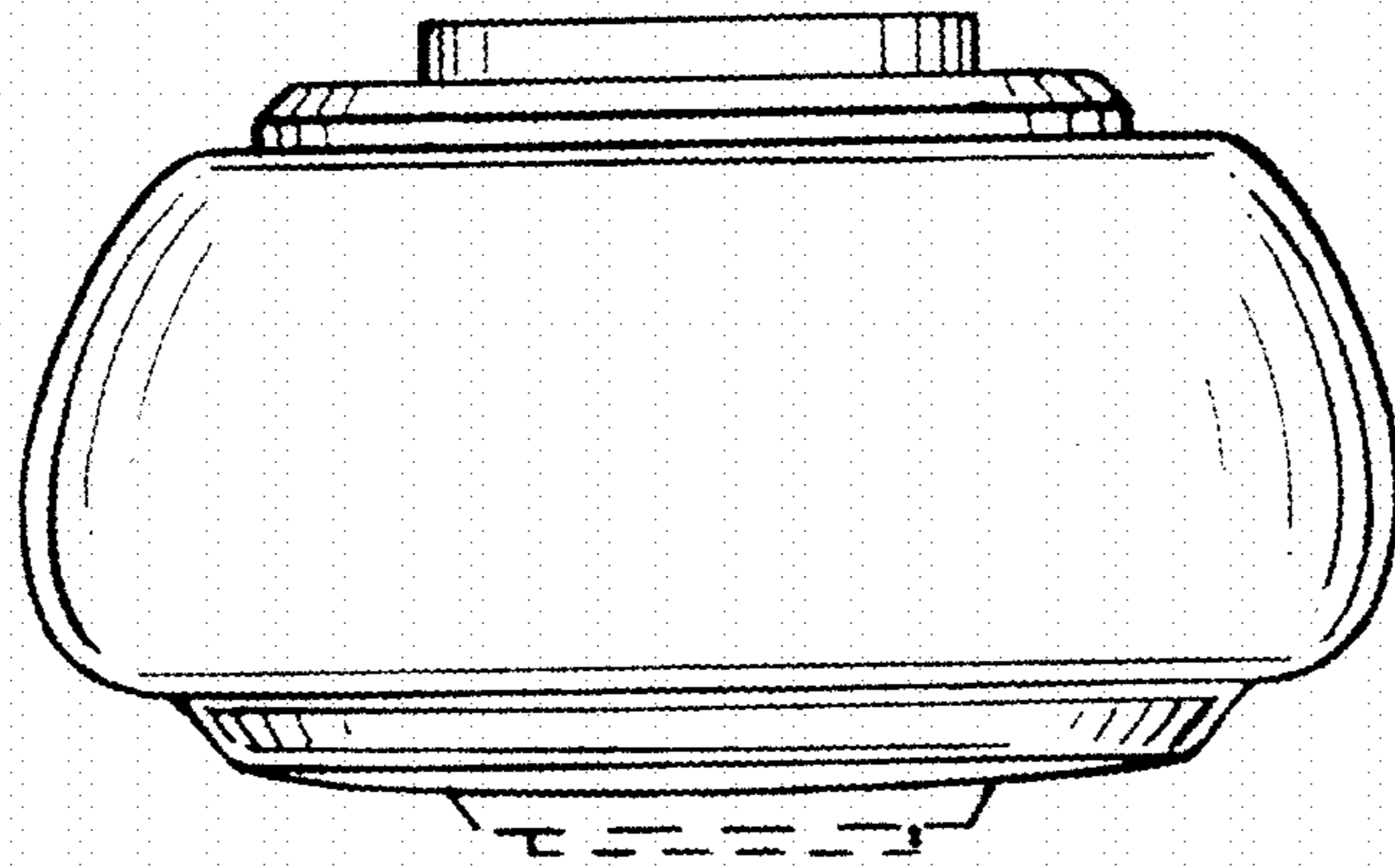


FIG. 6

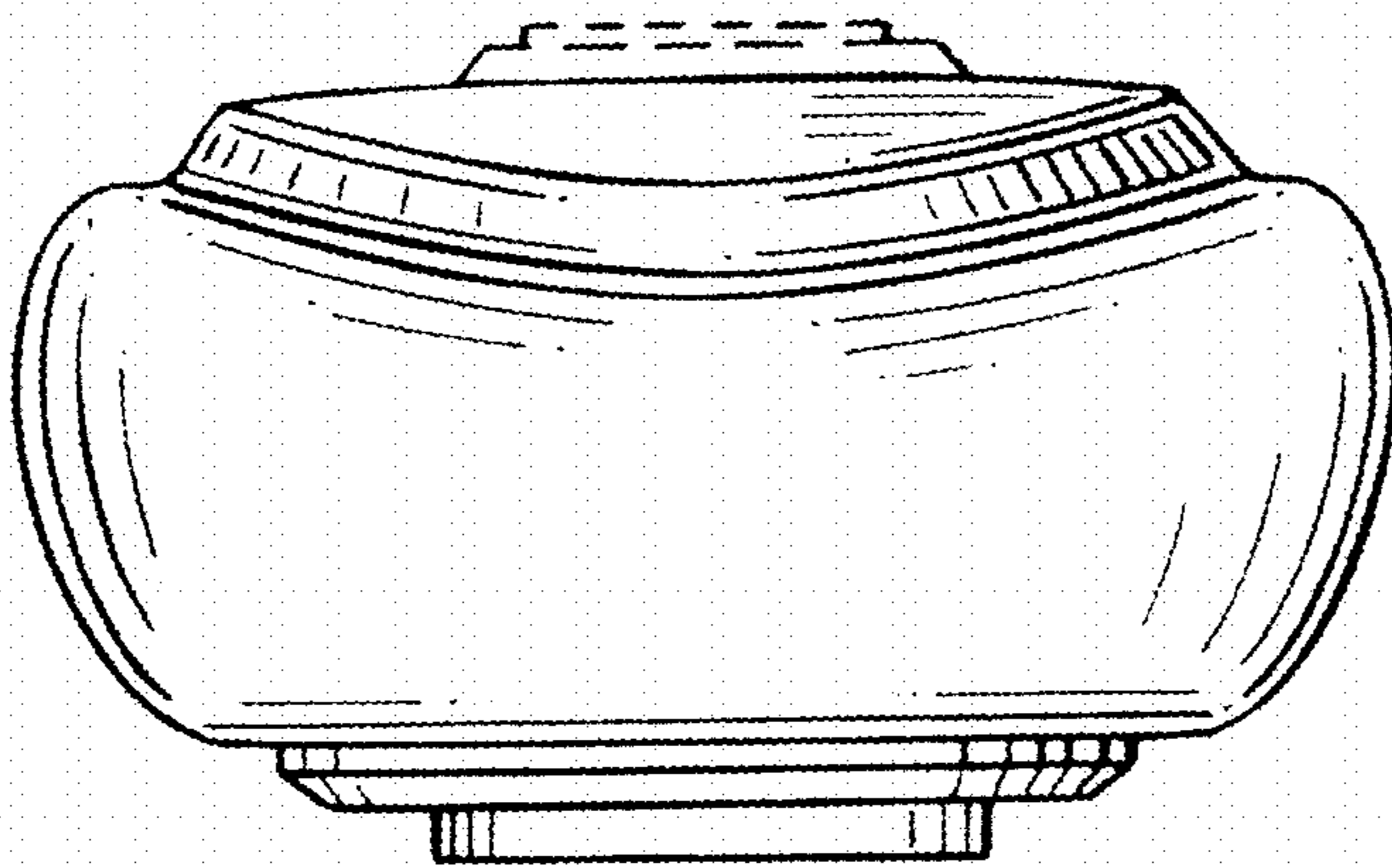


FIG. 5

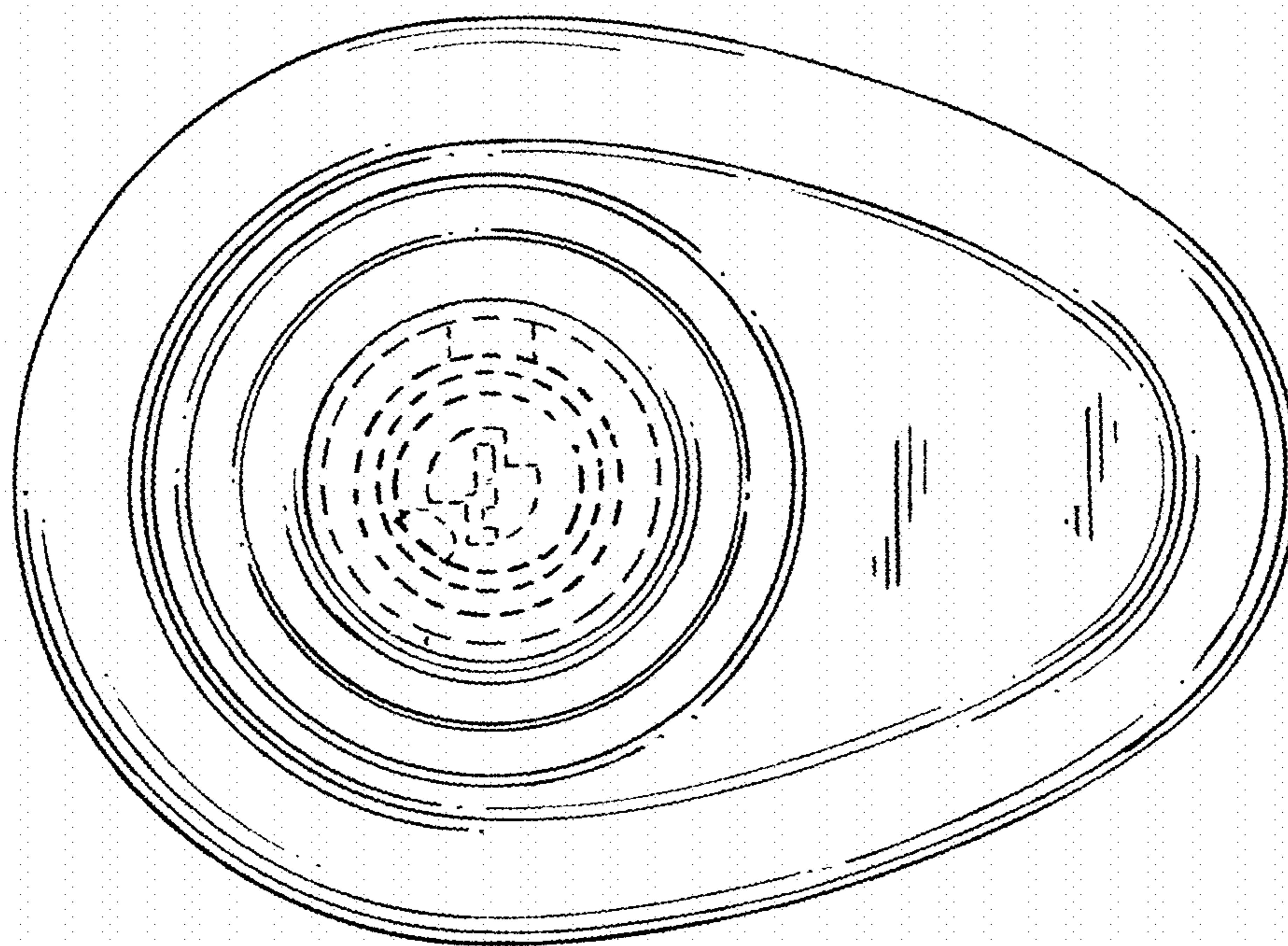


FIG. 7

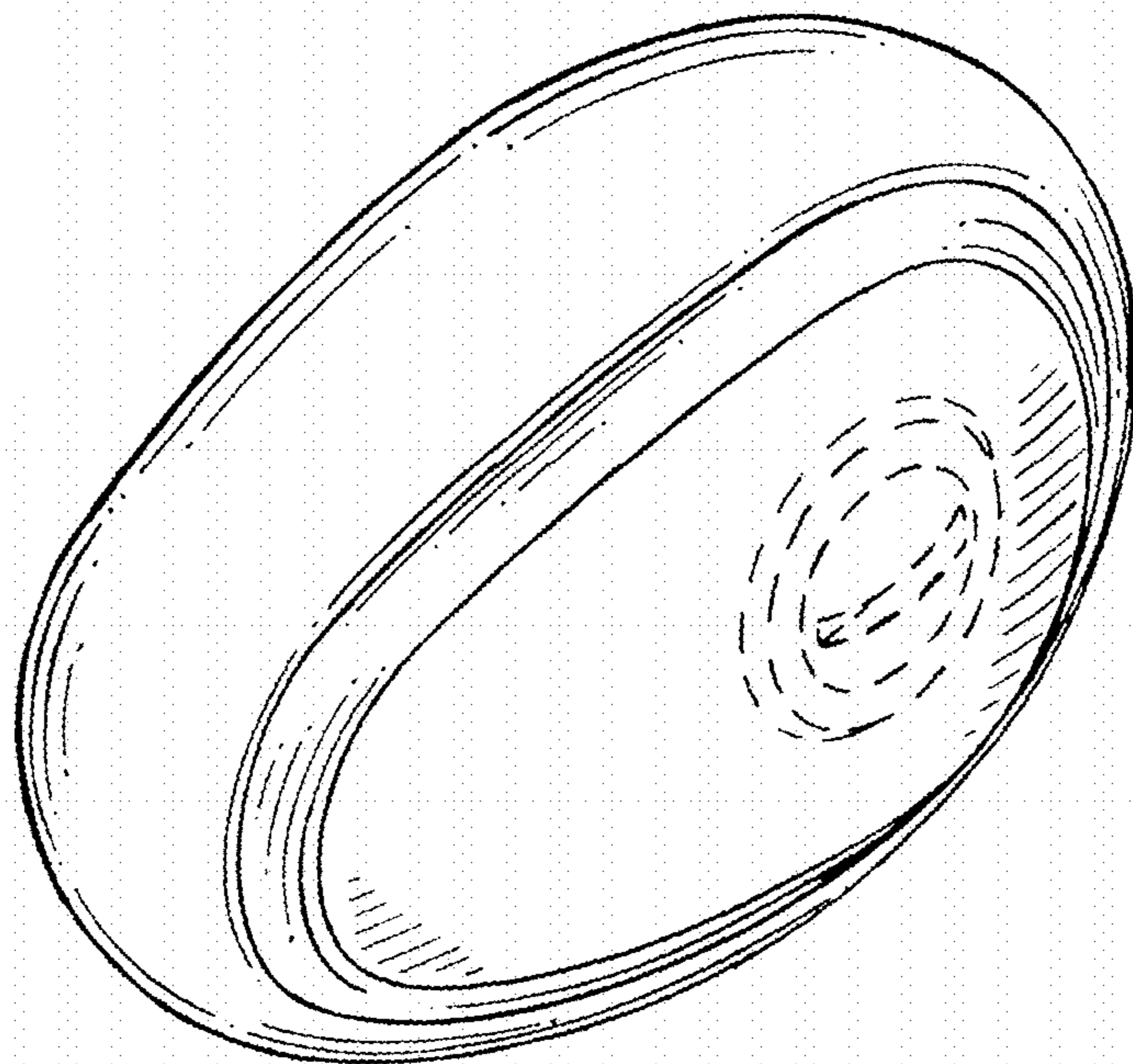


FIG. 8

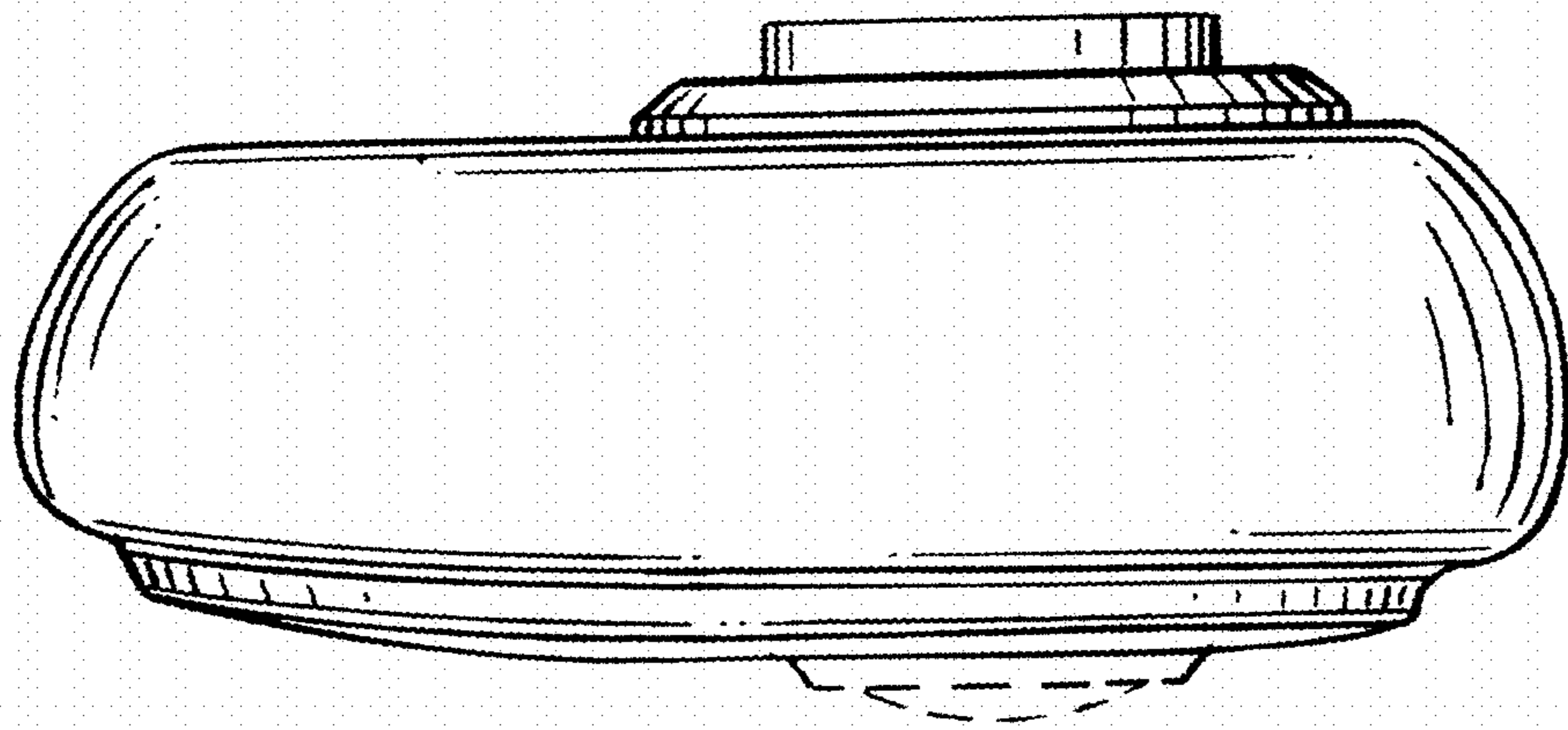


FIG. 9

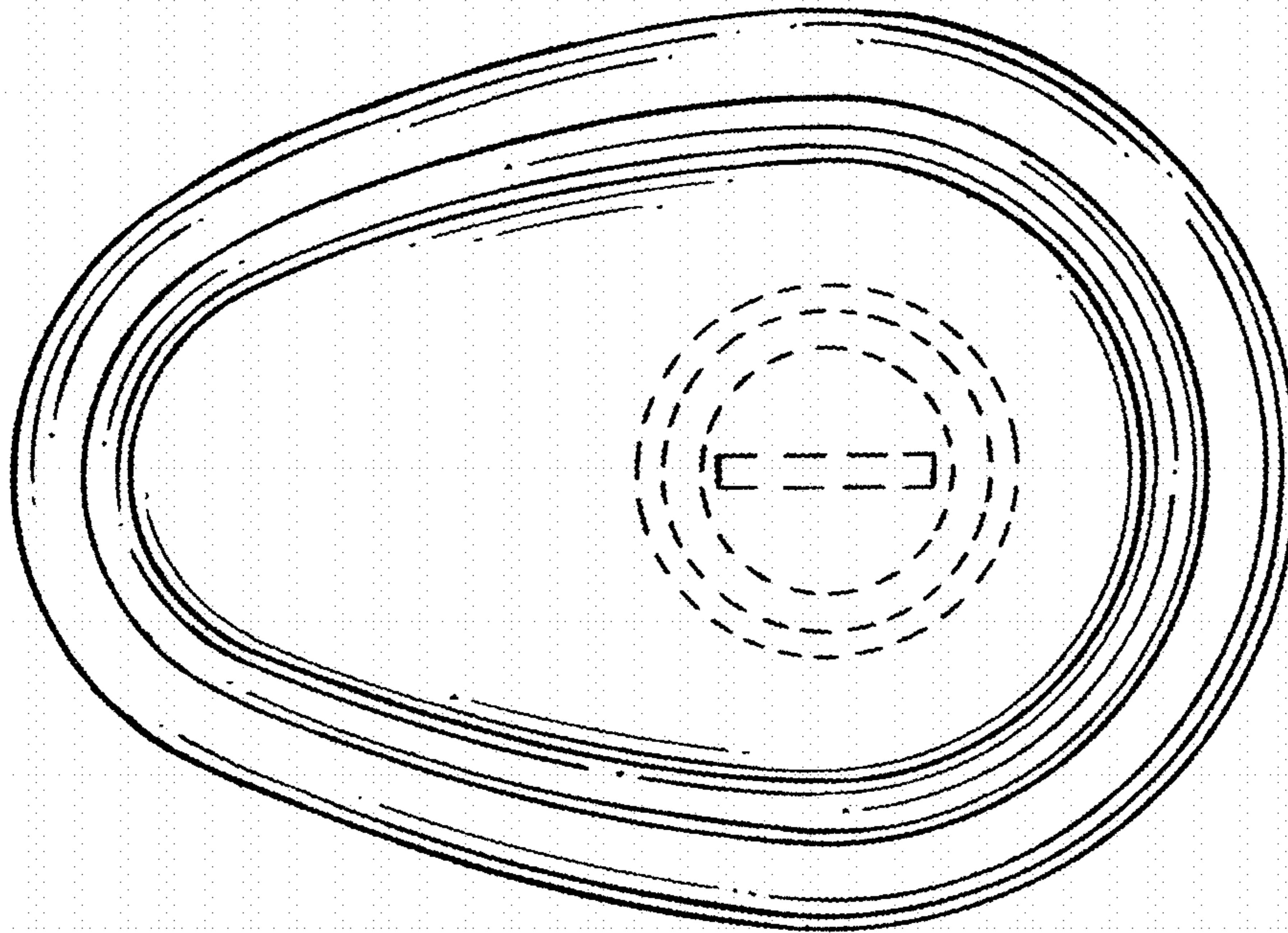


FIG. 10

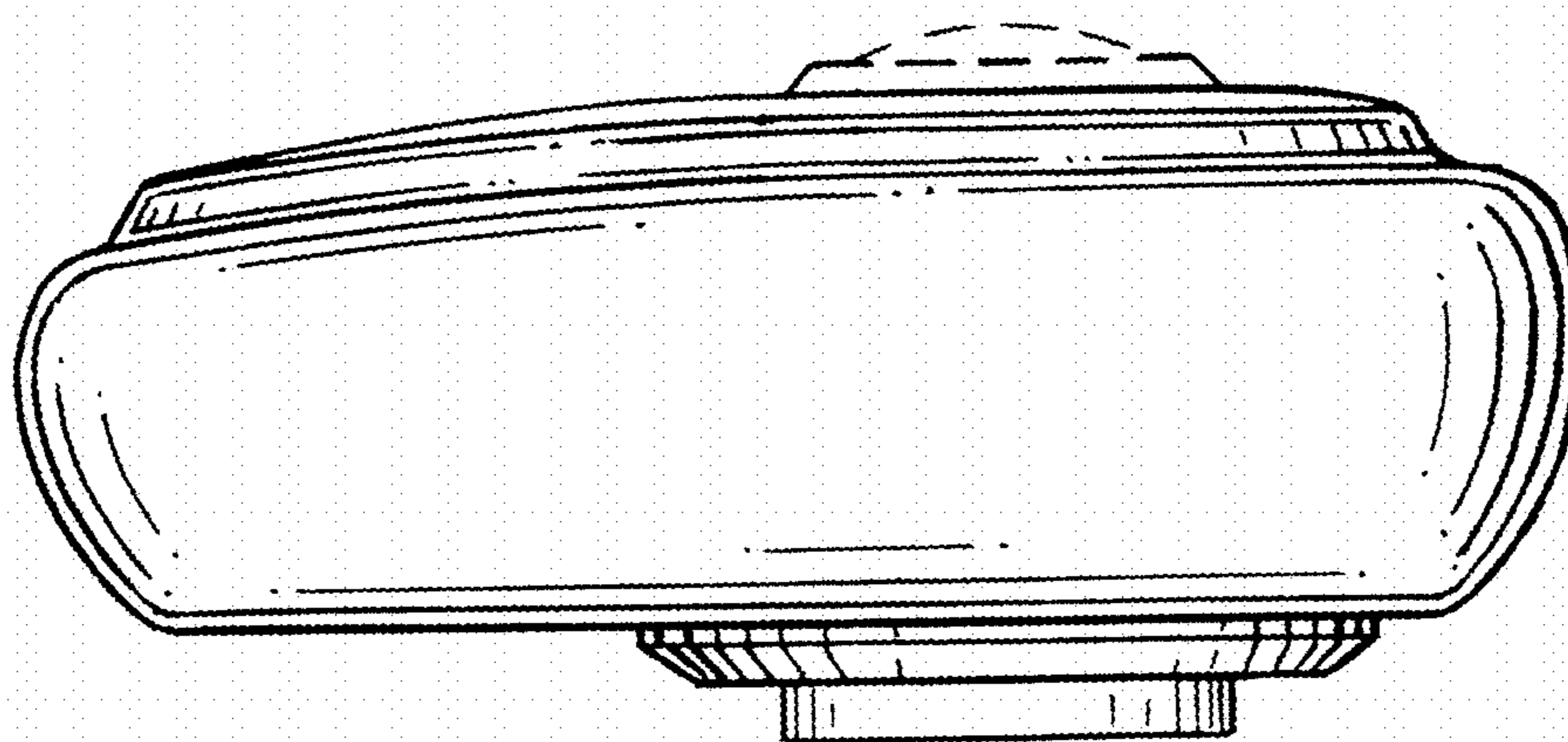


FIG. 11

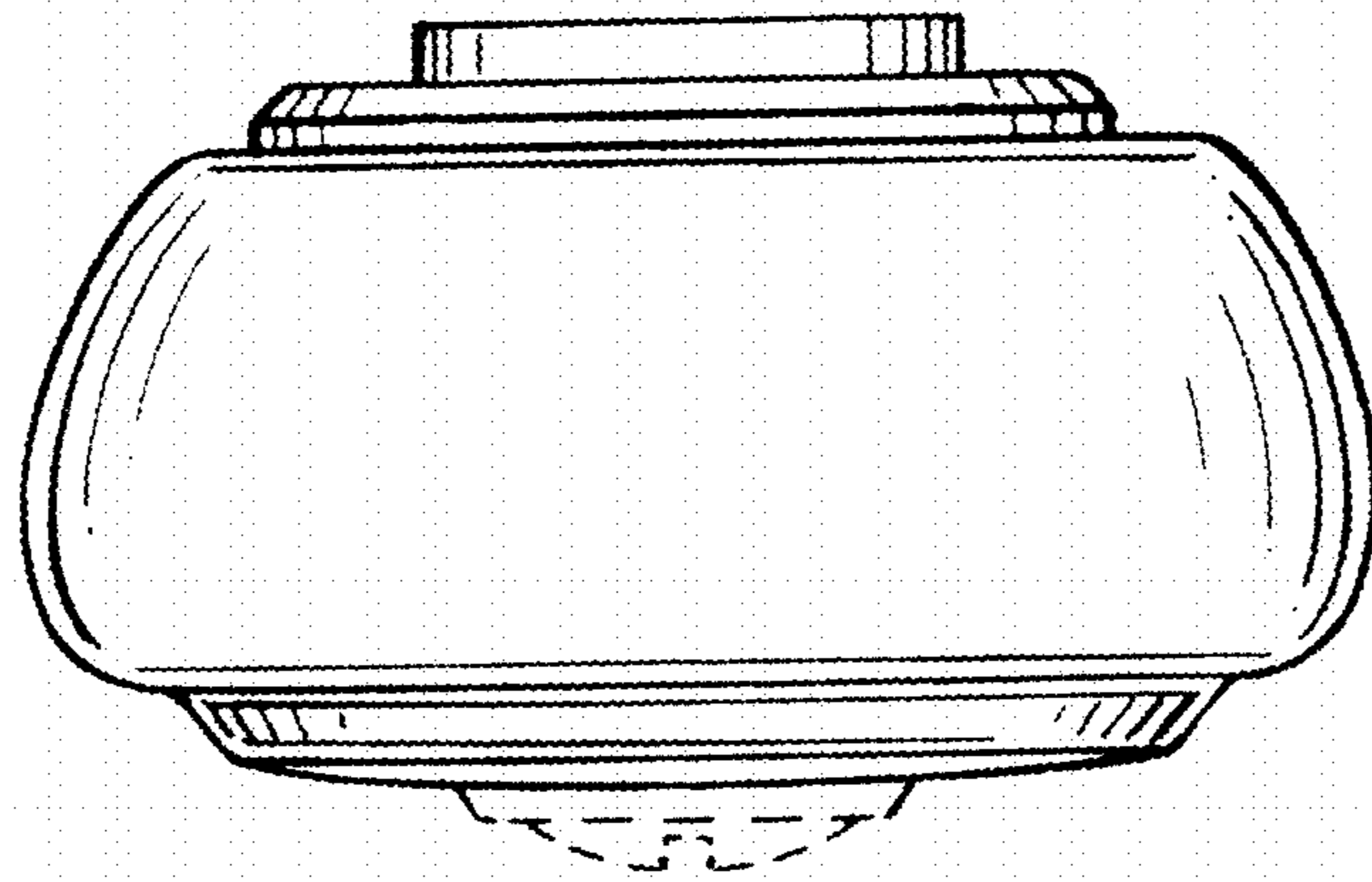


FIG. 13

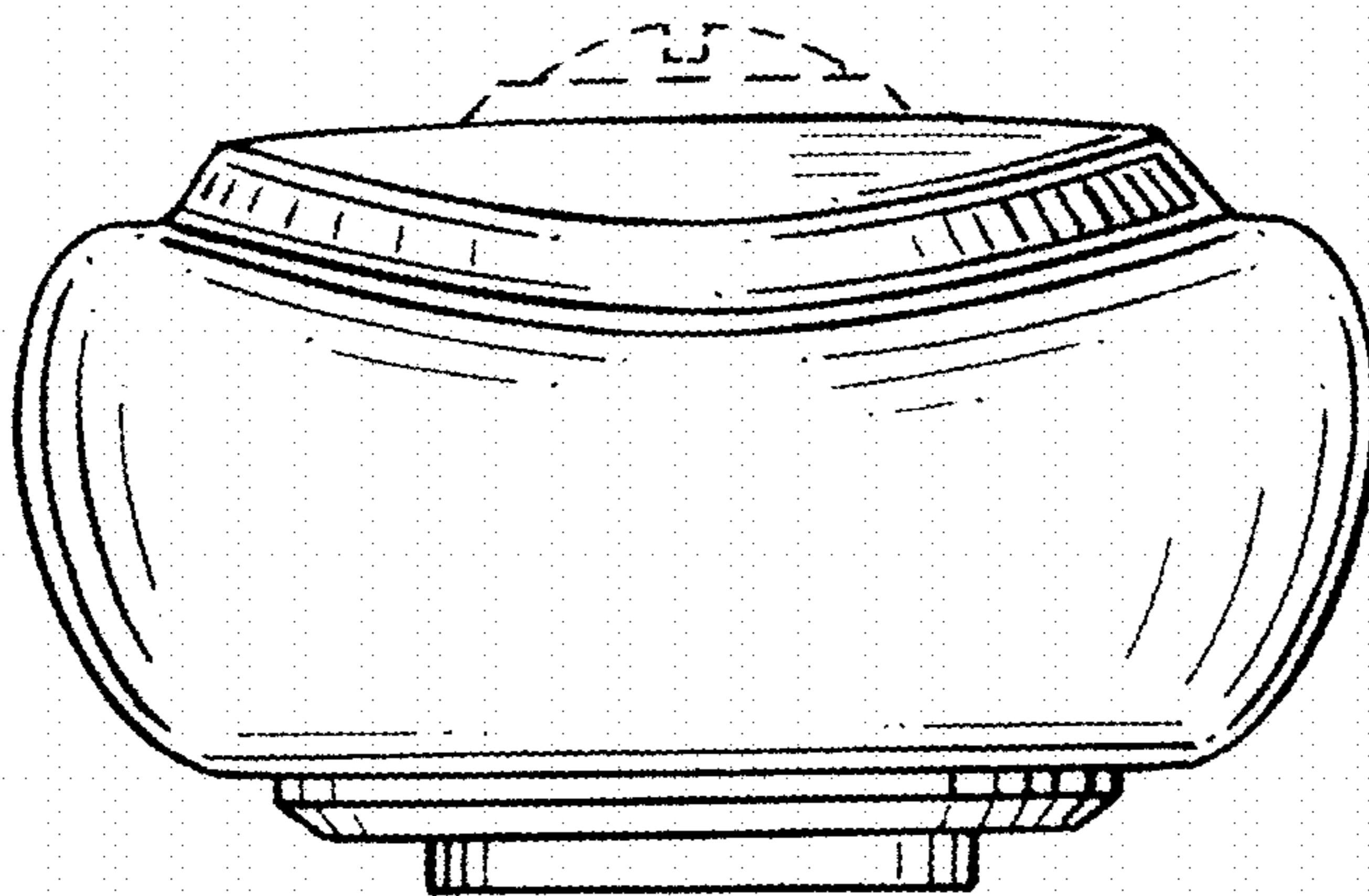


FIG. 12

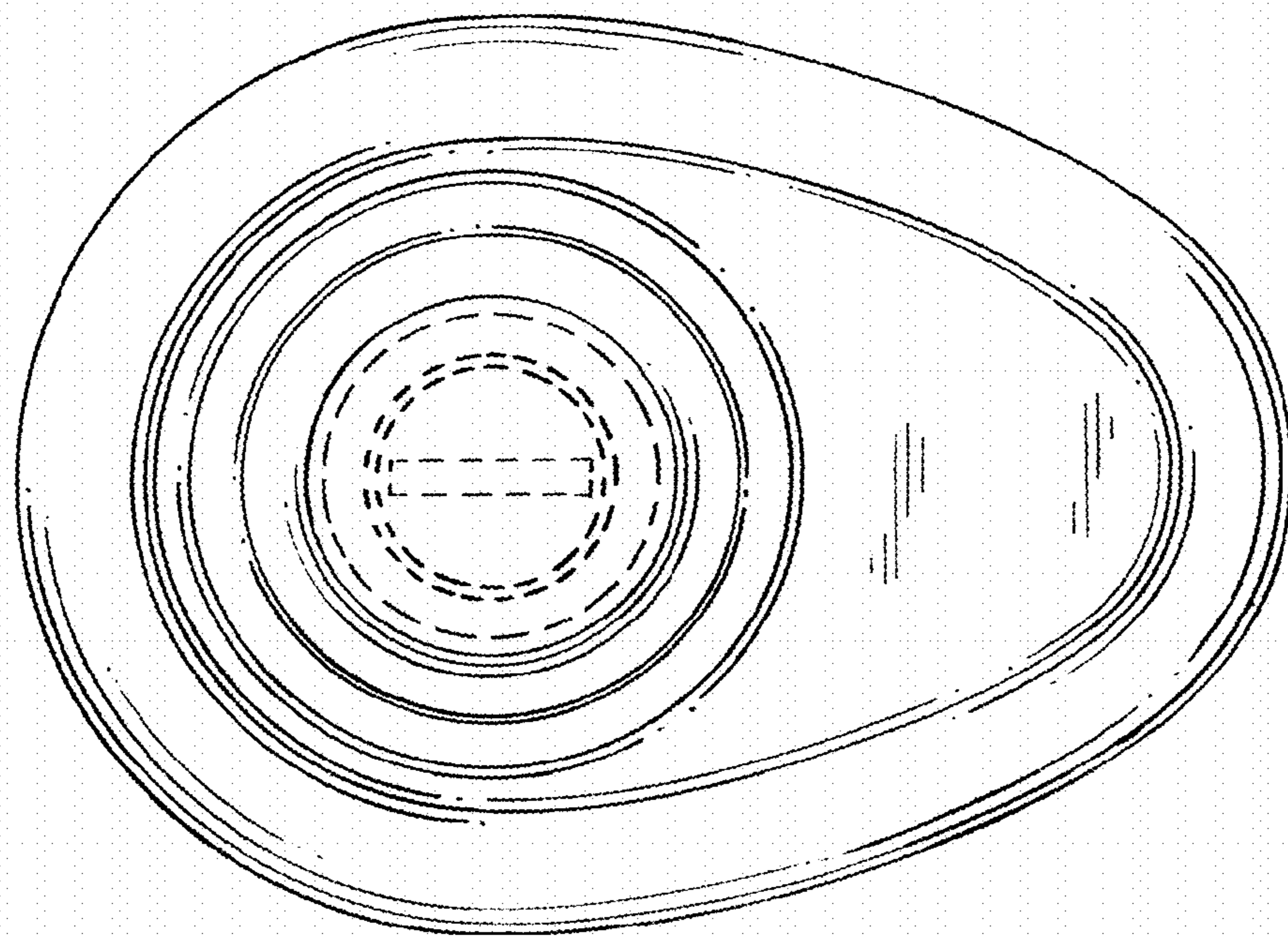


FIG. 14

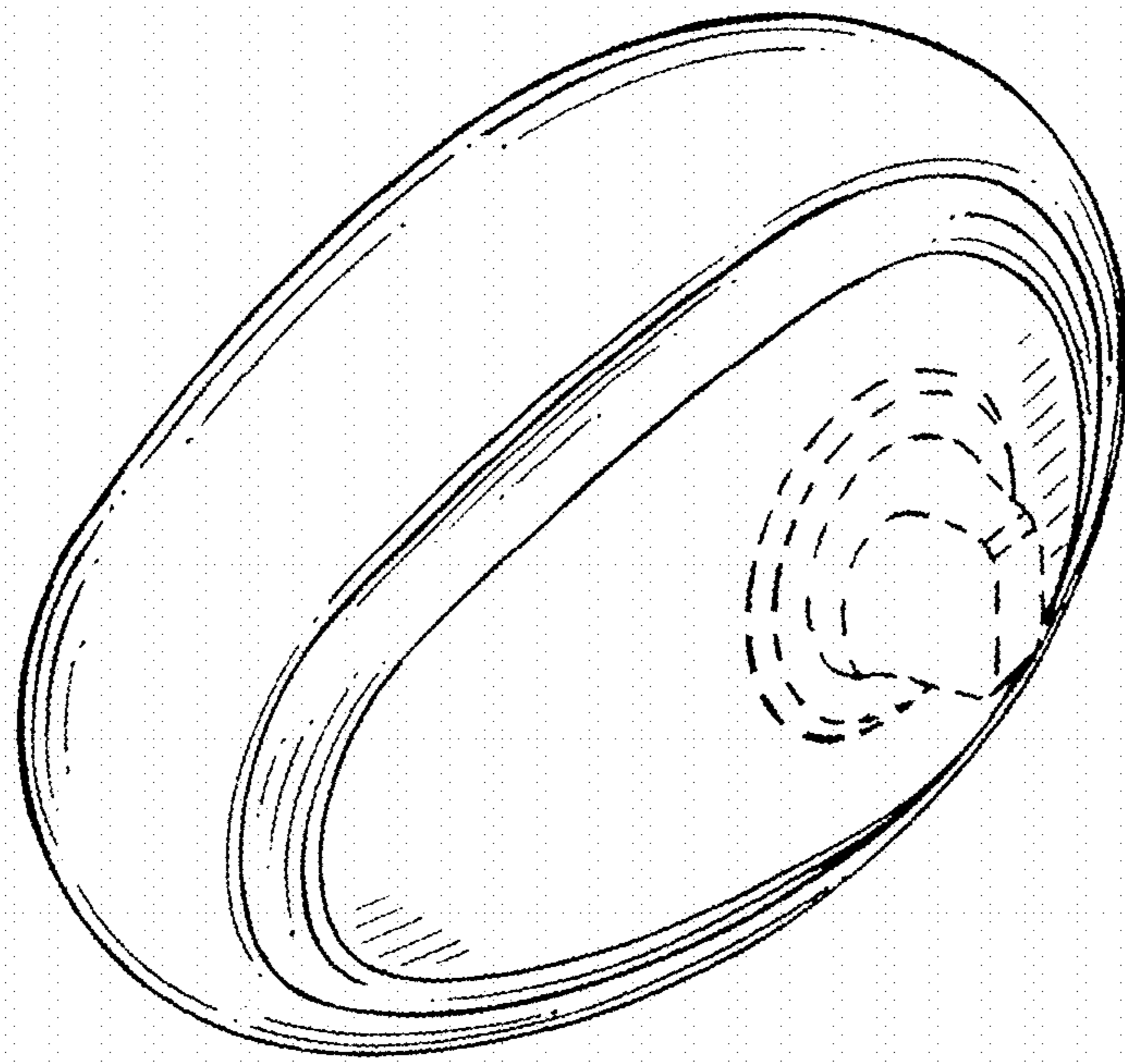


FIG. 15

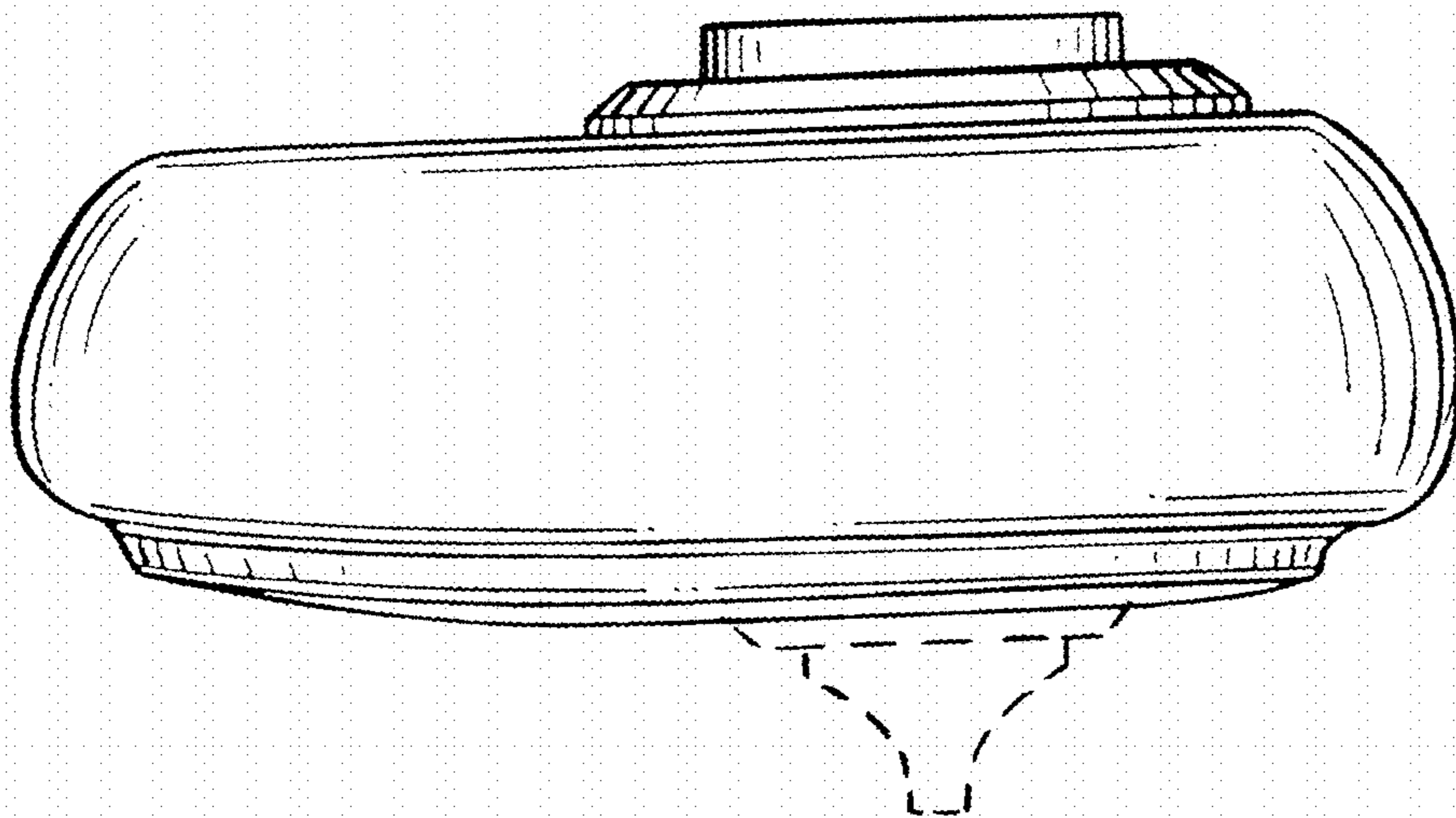


FIG. 16

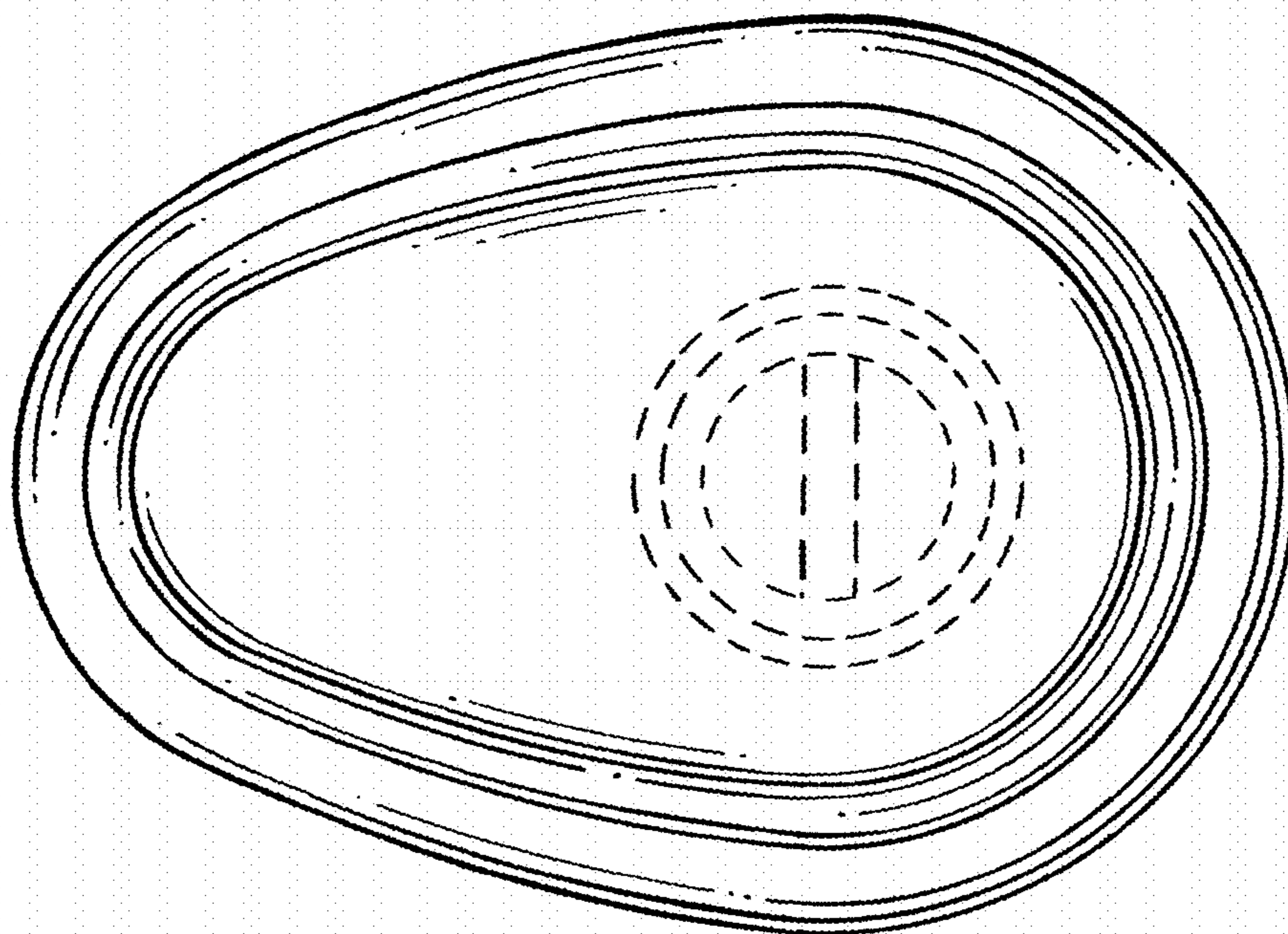


FIG. 17

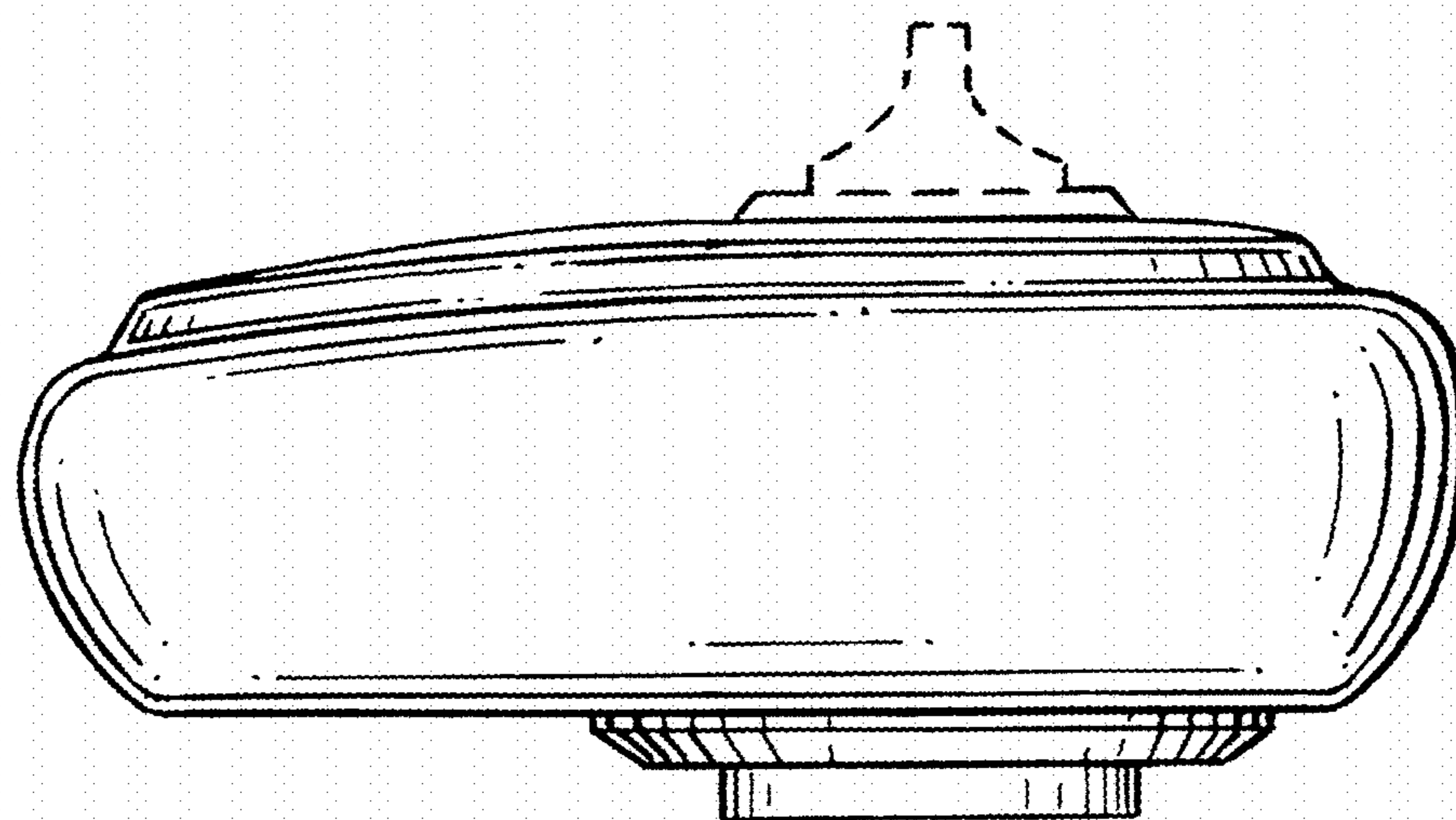


FIG. 18

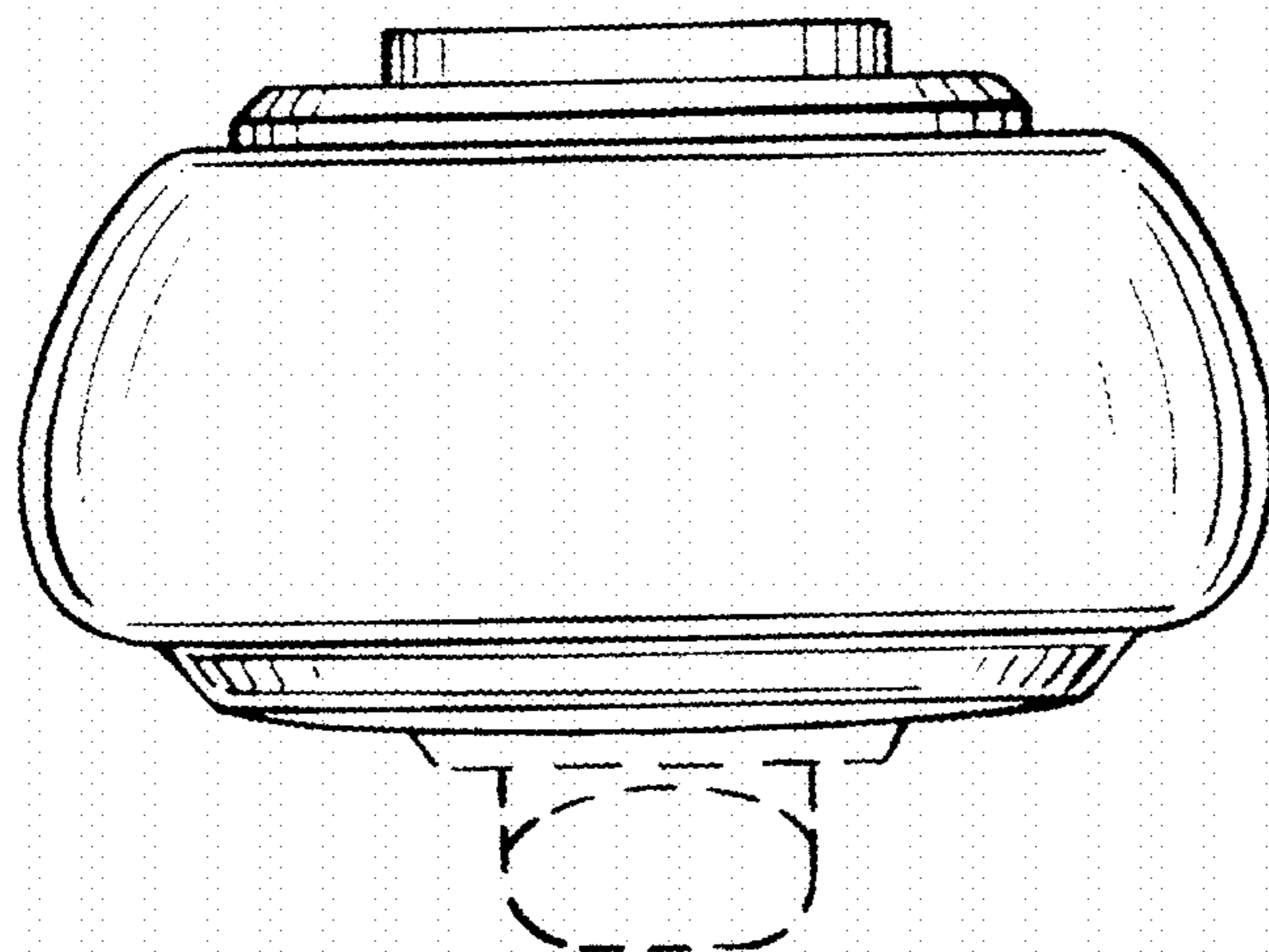


FIG. 20

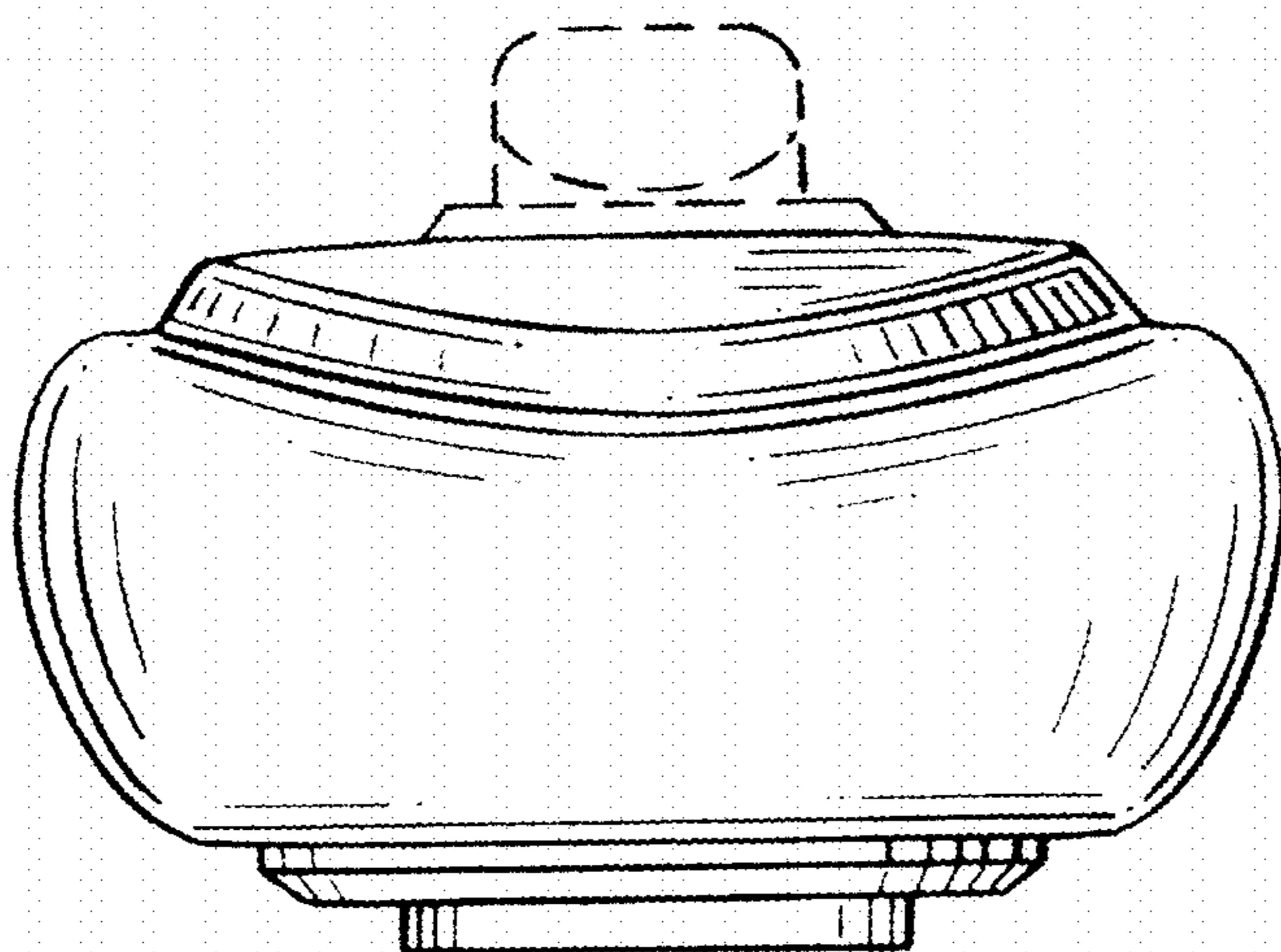


FIG. 19

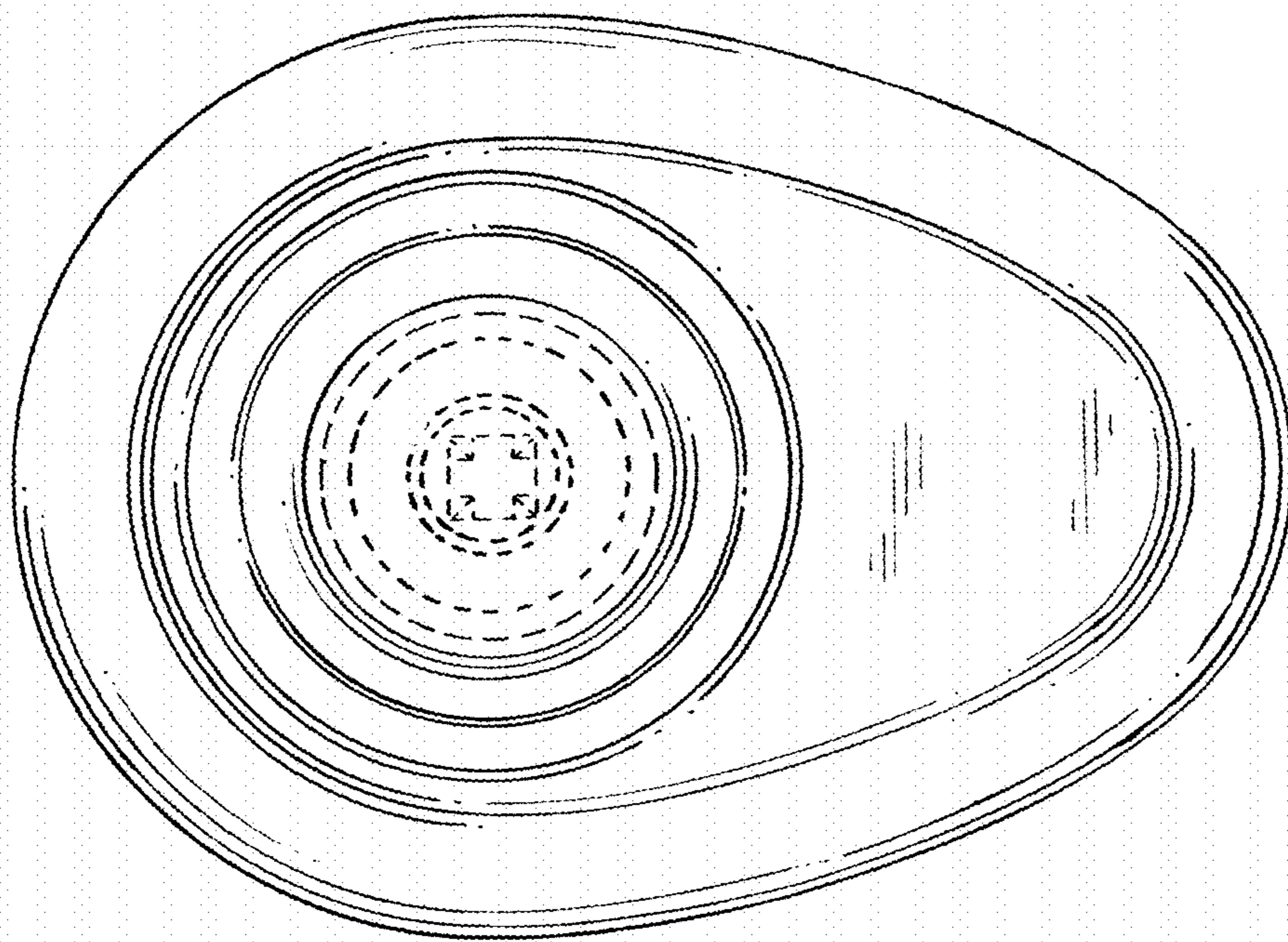


FIG. 21