



US00D767970S

(12) **United States Design Patent** (10) **Patent No.:** **US D767,970 S**
Bertani (45) **Date of Patent:** **** Oct. 4, 2016**

(54) **HANDLE**

(71) Applicant: **ELESA S.p.A.**, Milan (IT)

(72) Inventor: **Alberto Bertani**, Monza (IT)

(73) Assignee: **ELESA S.P.A.**, Milan (IT)

(**) Term: **14 Years**

(21) Appl. No.: **29/494,468**

(22) Filed: **Jun. 20, 2014**

(30) **Foreign Application Priority Data**

Dec. 20, 2013 (EP) 002374793-0002

(51) **LOC (10) Cl.** **08-06**

(52) **U.S. Cl.**
USPC **D8/308**

(58) **Field of Classification Search**
USPC D8/300-302, 307-309, 310, 311,
D8/DIG. 10; D23/250, 252; 292/336.3;
74/523, 543, 545, 546, 547; 16/110.1,
16/412, 413, 422, 426, 429

CPC Y10T 16/44; Y10T 74/20612; Y10T
74/20732; Y10T 16/458; Y10T 16/498;
Y10T 16/469; Y10T 16/476; Y10T 74/20744;
Y10T 74/20864; Y10T 16/4628; Y10T
74/20642; Y10T 16/473; Y10T 74/20762;
Y10T 74/2042; Y10T 74/20828; Y10T
16/459; Y10T 16/4713; Y10T 74/2014;
Y10T 16/50; Y10T 74/20438; Y10T
74/20582; Y10T 74/20738; Y10T 16/48;
Y10T 74/20618; Y10T 74/20684; Y10T
74/20624; Y10T 74/20468; Y10T 16/61;
Y10T 16/4719; Y10T 16/86; Y10S 16/30;
Y10S 292/31; Y10S 292/53; Y10S 16/12;
Y10S 292/23; Y10S 292/27; Y10S 292/30;
Y10S 292/63; E05B 85/16; E05B 1/0015;

E05B 77/06; E05B 79/06; E05B 85/18;
E05B 85/12; E05B 85/10; E05B 7/00;
E05B 1/0053; E05B 77/265

See application file for complete search history.

(56) **References Cited**

U.S. PATENT DOCUMENTS

D356,241	S	*	3/1995	Decursu	D8/308
D369,964	S	*	5/1996	Decursu et al.	D8/302
D585,721	S	*	2/2009	Le et al.	D8/308
8,261,414	B2	*	9/2012	Coudurier	16/422
2003/0033690	A1	*	2/2003	Lin	16/412
2004/0068837	A1	*	4/2004	Bertani	16/110.1
2004/0261221	A1	*	12/2004	Dumont	16/110.1
2009/0139052	A1	*	6/2009	Boenisch	16/111.1

* cited by examiner

Primary Examiner — Derrick Holland

Assistant Examiner — Lauren Calve

(74) *Attorney, Agent, or Firm* — Pearne & Gordon LLP

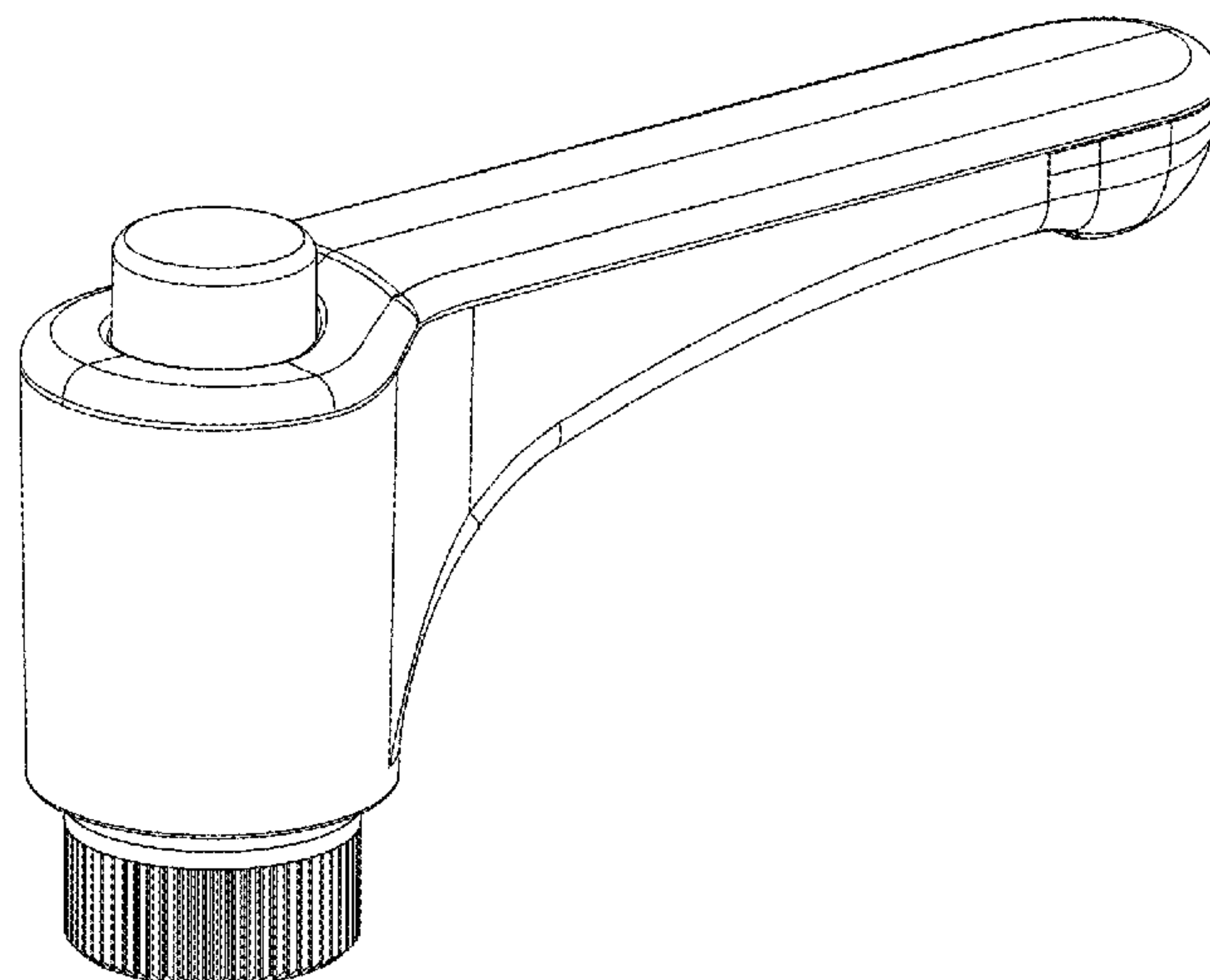
(57) **CLAIM**

The ornamental design for a handle, as shown and described.

DESCRIPTION

FIG. 1 is a perspective view of a handle showing my new design;
FIG. 2 is a front view thereof;
FIG. 3 is a right side view thereof;
FIG. 4 is left side view thereof;
FIG. 5 is a rear view thereof;
FIG. 6 is a top view thereof; and,
FIG. 7 is a bottom view thereof.
The broken lines shown represent unclaimed subject matter and form no part of the claimed design.

1 Claim, 7 Drawing Sheets



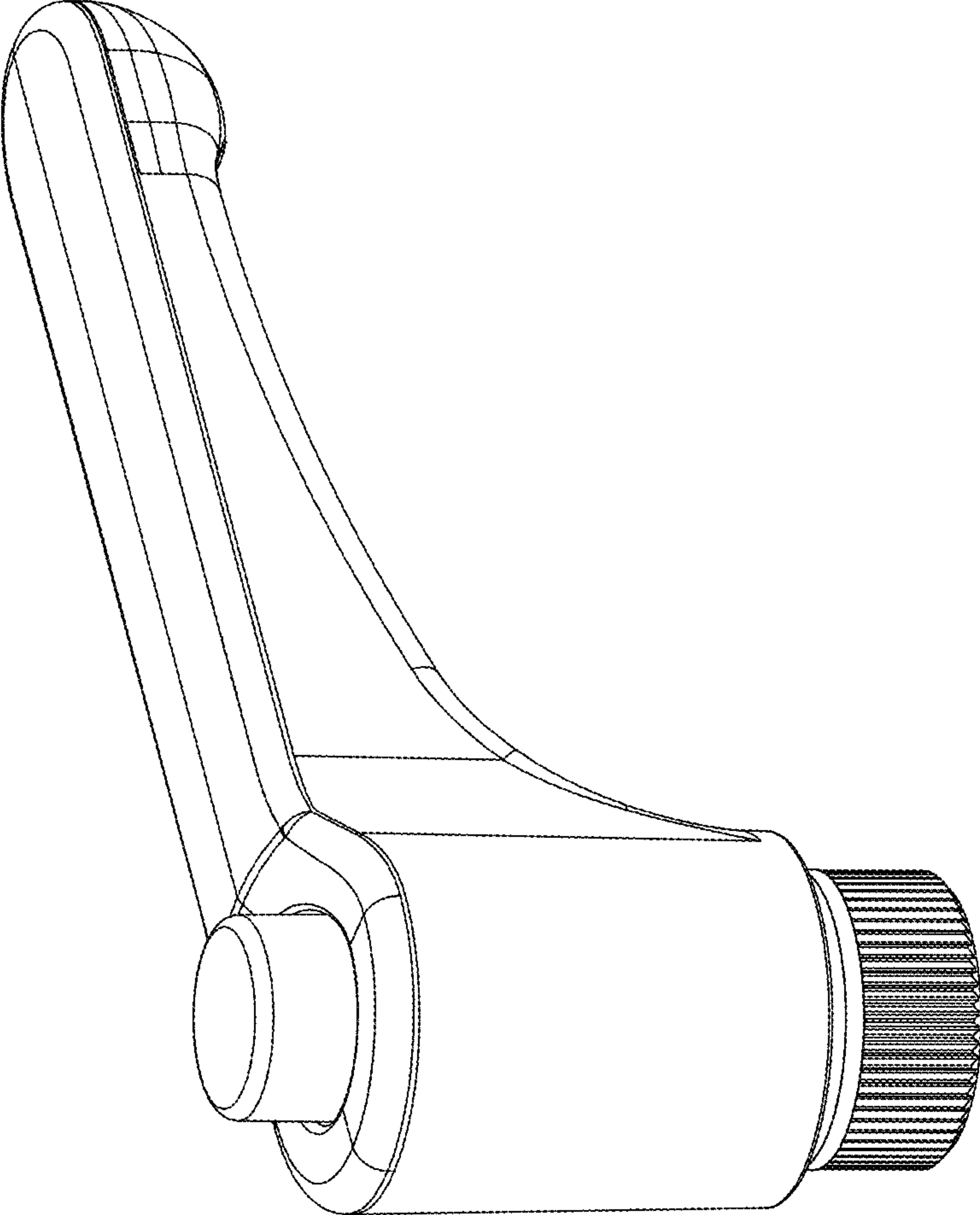


FIG. 1

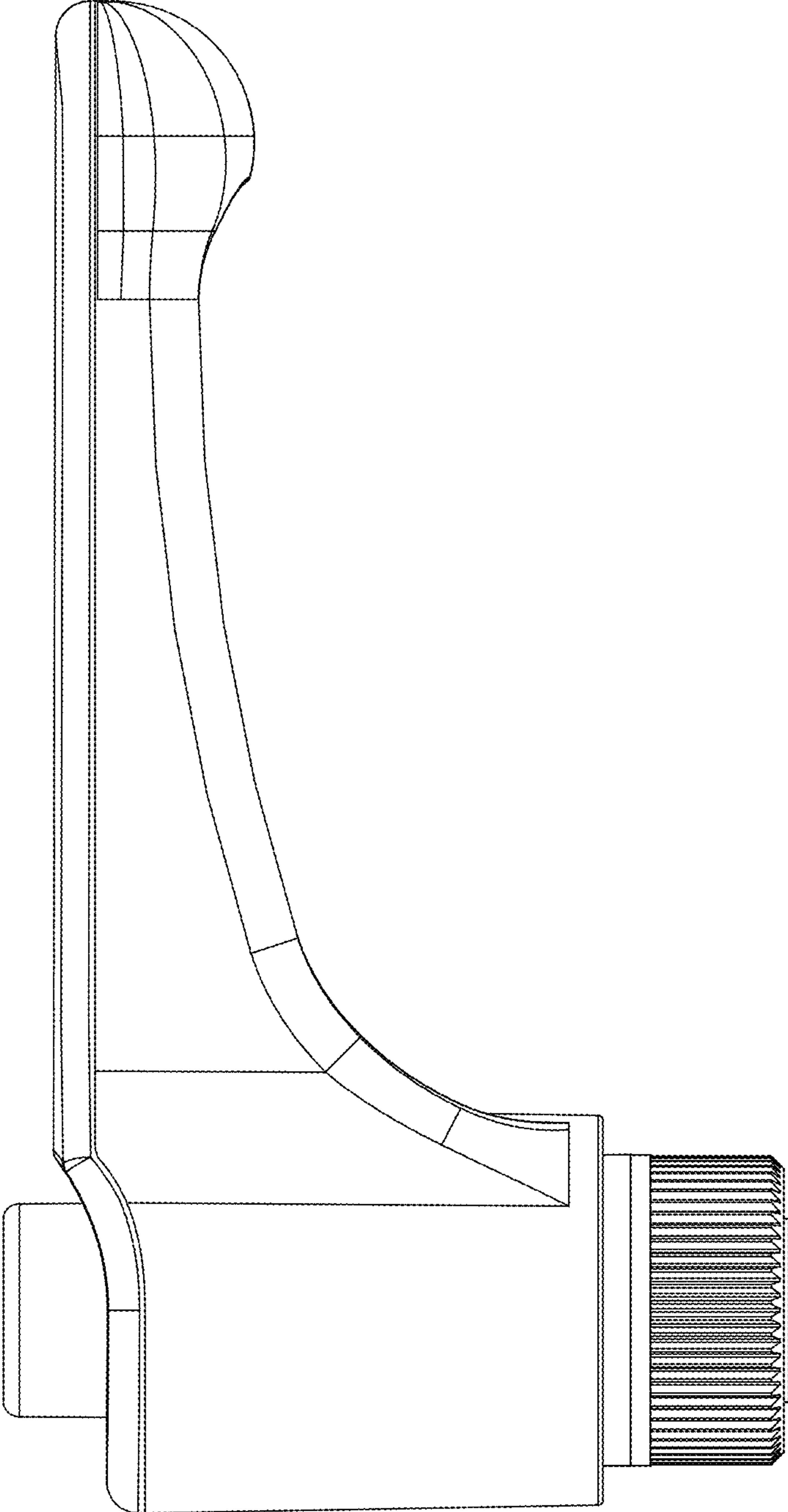


FIG. 2

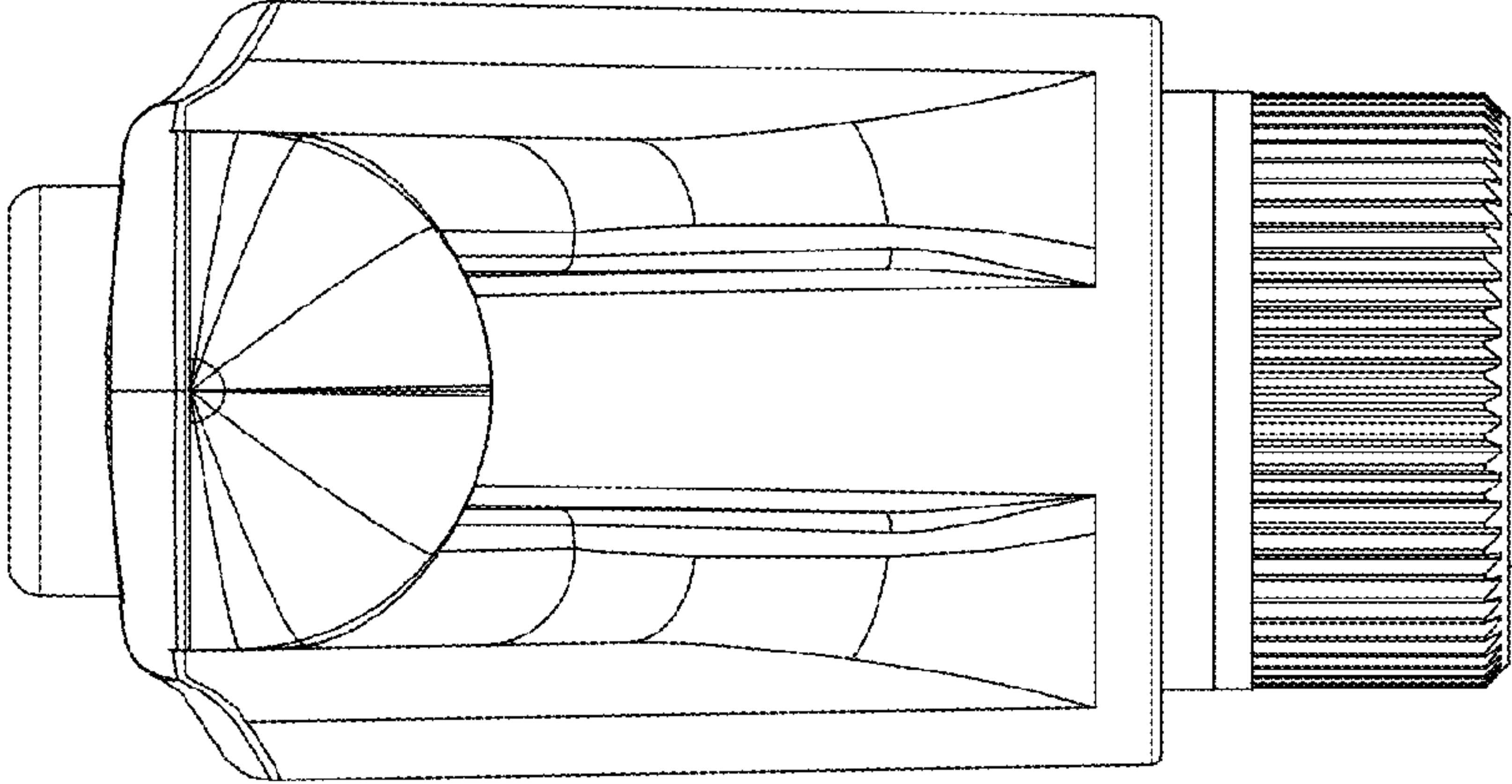


FIG. 3

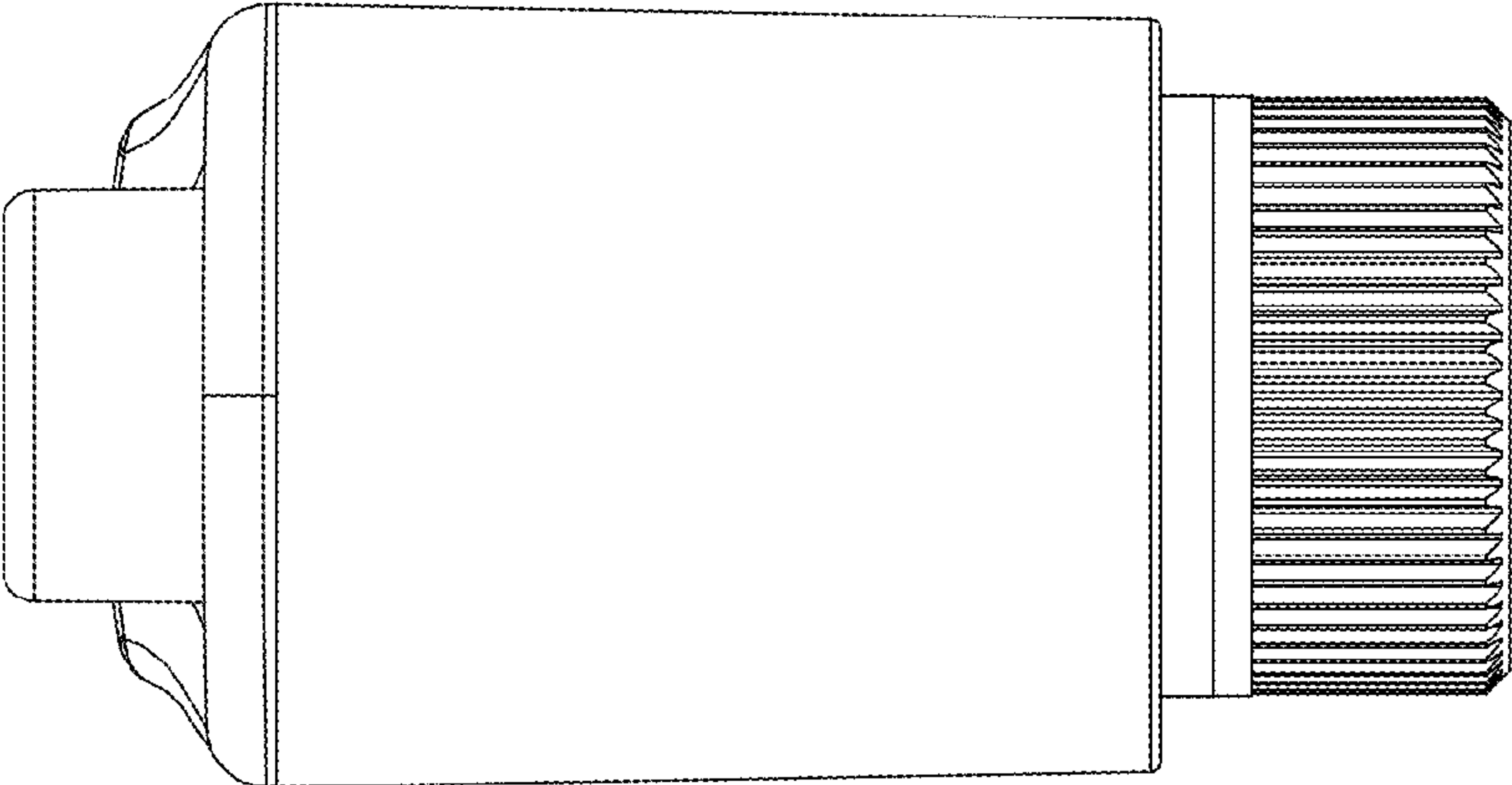


FIG. 4

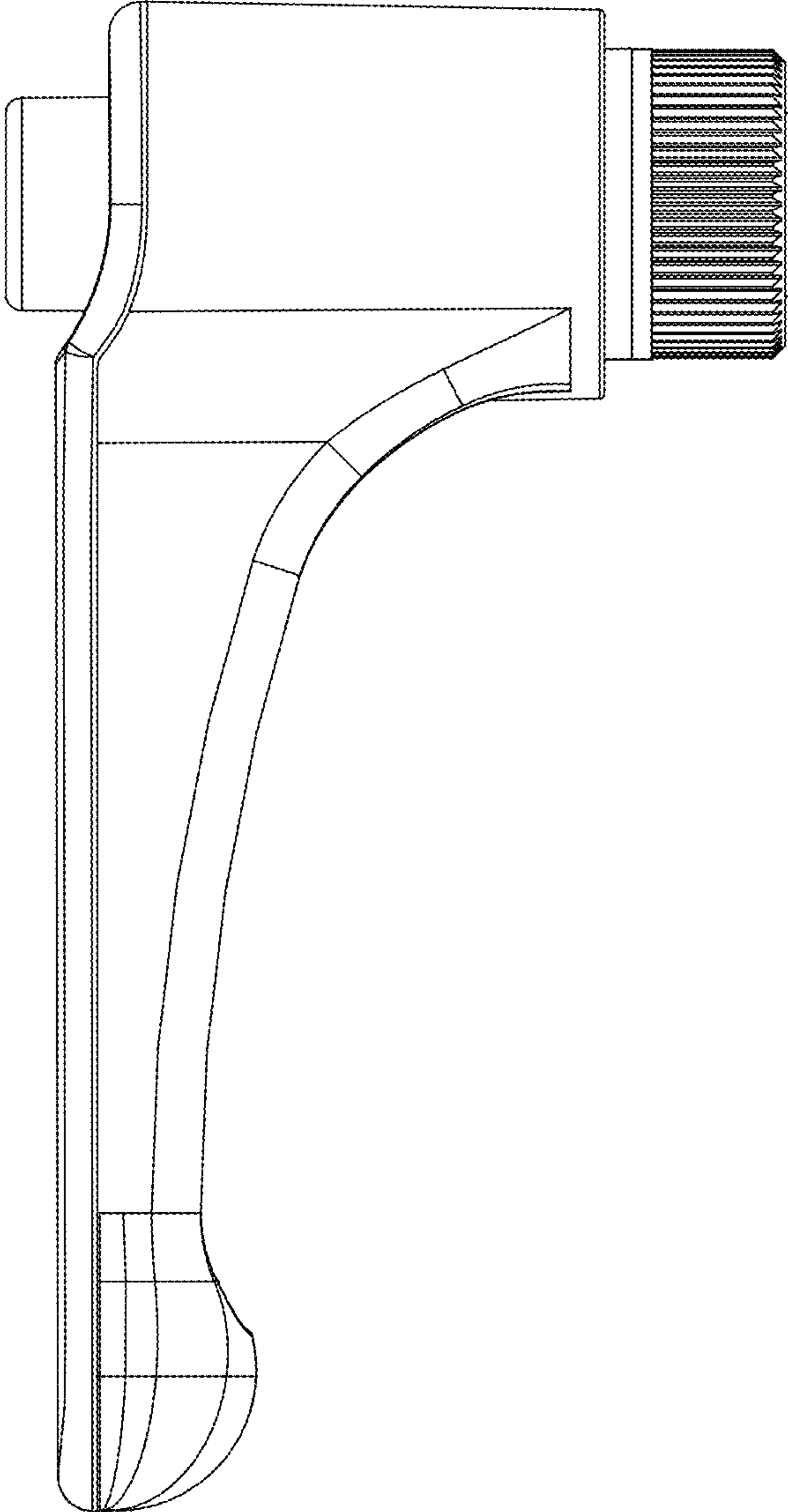


FIG. 5

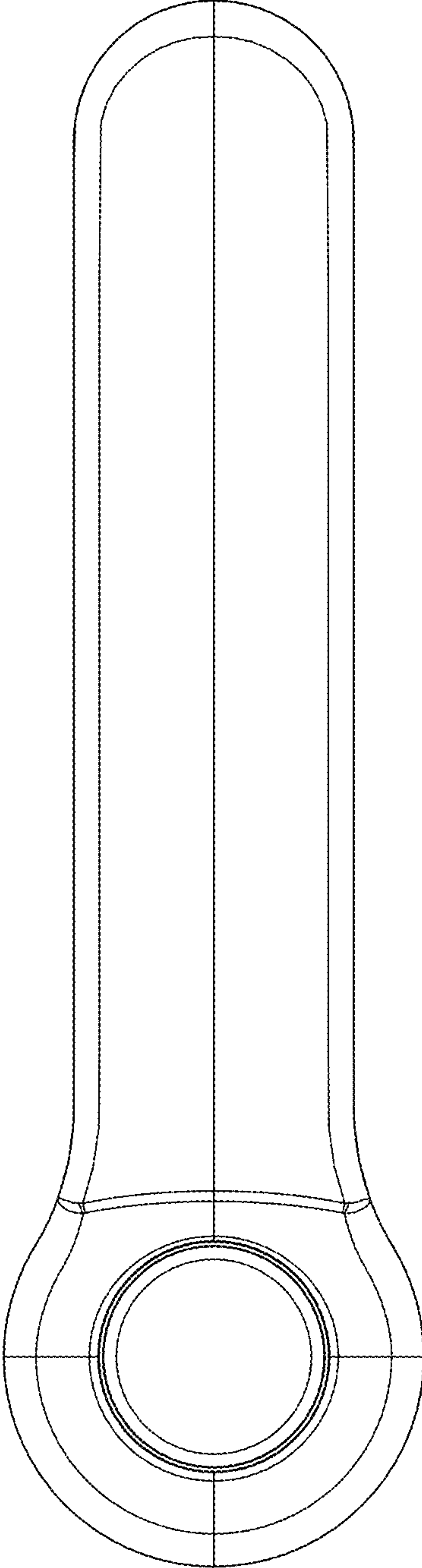


FIG. 6

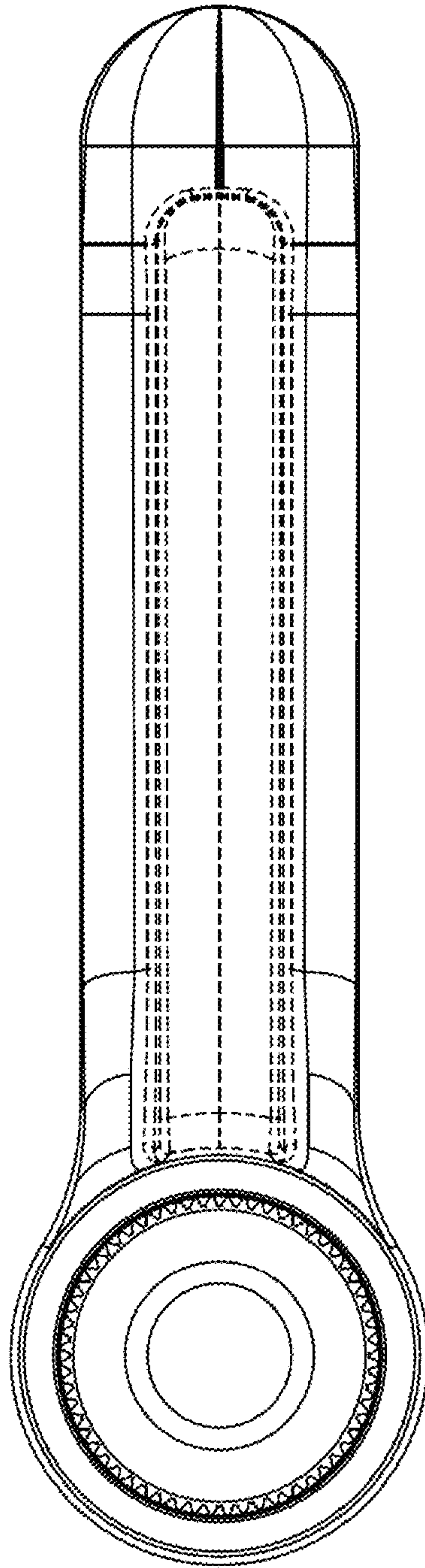


FIG. 7

UNITED STATES PATENT AND TRADEMARK OFFICE
CERTIFICATE OF CORRECTION

PATENT NO. : D767,970 S
APPLICATION NO. : 29/494468
DATED : October 4, 2016
INVENTOR(S) : Alberto Bertani

Page 1 of 1

It is certified that error appears in the above-identified patent and that said Letters Patent is hereby corrected as shown below:

On the Title Page

(30) Foreign Application Priority Data, "Dec. 20, 2013 (EP).....002374793-0002" should
read --Dec. 20, 2013 (EM).....002374793-0002--.

Signed and Sealed this
First Day of August, 2017



Joseph Matal
*Performing the Functions and Duties of the
Under Secretary of Commerce for Intellectual Property and
Director of the United States Patent and Trademark Office*