

US00D767969S

(12) **United States Design Patent** (10) **Patent No.:** **US D767,969 S**  
**Aispuro** (45) **Date of Patent:** **\*\* Oct. 4, 2016**

(54) **L-HANDLE**

(71) Applicant: **S.P.E.P. ACQUISITION CORP.**, Long Beach, CA (US)

(72) Inventor: **Tomas Aispuro**, Bellflower, CA (US)

(73) Assignee: **S.P.E.P. ACQUISITION CORP.**, Long Beach, CA (US)

(\*\*) Term: **14 Years**

(21) Appl. No.: **29/526,309**

(22) Filed: **May 7, 2015**

(51) **LOC (10) Cl.** ..... **08-06**

(52) **U.S. Cl.**  
USPC ..... **D8/301**

(58) **Field of Classification Search**  
USPC ..... D8/300–302, 307–309, 310, 311, D8/DIG. 10; D23/254; 292/336.3, 347; 74/523, 543; 70/192, 201, 206, 207; 16/110.1, 412, 416, 430, DIG. 30  
CPC ..... Y10T 16/44; Y10T 74/20612; Y10T 74/20732; Y10T 16/458; Y10T 16/498; Y10T 16/469; Y10T 16/476; Y10T 74/20744; Y10T 74/20864; Y10T 16/4628; Y10T 74/20642; Y10T 16/473; Y10T 74/20762; Y10T 74/2042; Y10T 74/20828; Y10T 16/459; Y10T 16/4713; Y10T 74/2014; Y10T 16/50; Y10T 74/20438; Y10T 74/20582; Y10T 74/20738; Y10T 16/48; Y10T 74/20618; Y10T 74/20684; Y10T 74/20624; Y10T 74/20468; Y10T 16/61; Y10T 16/4719; Y10T 16/86; Y10S 16/30; Y10S 292/31; Y10S 292/53; Y10S 16/12; Y10S 292/23; Y10S 292/27; Y10S 292/30; Y10S 292/63; E05B 85/16; E05B 1/0015; E05B 77/06; E05B 79/06; E05B 85/18; E05B 85/12; E05B 85/10; E05B 7/00; E05B 1/0053; E05B 77/265

See application file for complete search history.

(56) **References Cited**

U.S. PATENT DOCUMENTS

2,605,648	A *	8/1952	Sanderlin .....	E06B 7/084 292/336.3
D369,964	S *	5/1996	Decursu .....	D8/302
D444,694	S *	7/2001	Alvarado .....	D8/301
6,546,765	B1 *	4/2003	Linares .....	E05B 13/108 16/412
D492,570	S *	7/2004	Linares .....	D8/308
D529,783	S *	10/2006	Corcino .....	D8/301
D557,585	S *	12/2007	Linares .....	D8/308
D585,721	S *	2/2009	Le .....	D8/302
D587,091	S *	2/2009	Chen .....	D8/308
D691,451	S *	10/2013	Weathersby .....	D8/302
D691,452	S *	10/2013	Weathersby .....	D8/302
D708,039	S *	7/2014	Aispuro .....	D8/301
D740,395	S *	10/2015	Flowers .....	D23/252
D740,642	S *	10/2015	Carlsson .....	D8/301
2008/0088140	A1 *	4/2008	Huang .....	E05B 1/003 292/347
2010/0013247	A1 *	1/2010	Kuchas .....	E05B 5/00 292/336.3
2014/0001779	A1 *	1/2014	Bedoian .....	E05B 1/003 292/336.3
2016/0053522	A1 *	2/2016	Ou .....	E05B 63/006 292/336.3

\* cited by examiner

*Primary Examiner* — Derrick Holland  
*Assistant Examiner* — Lauren Calve  
(74) *Attorney, Agent, or Firm* — Karish & Bjorgum, PC

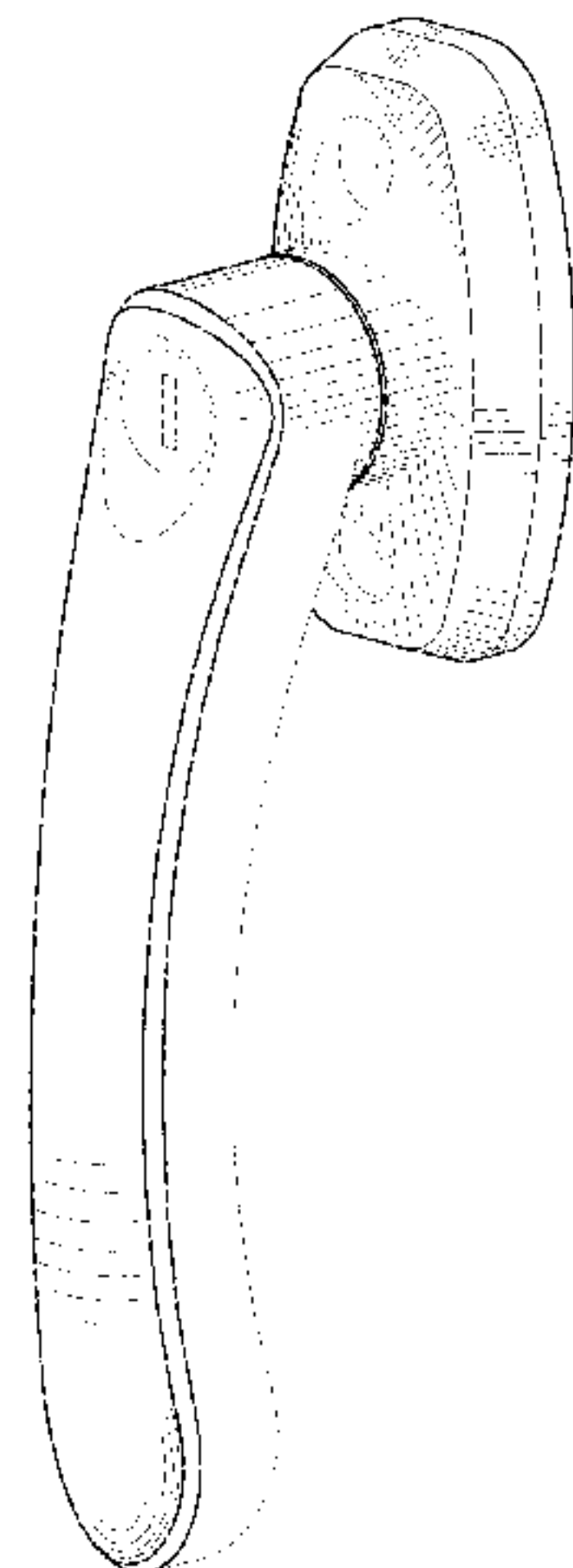
(57) **CLAIM**

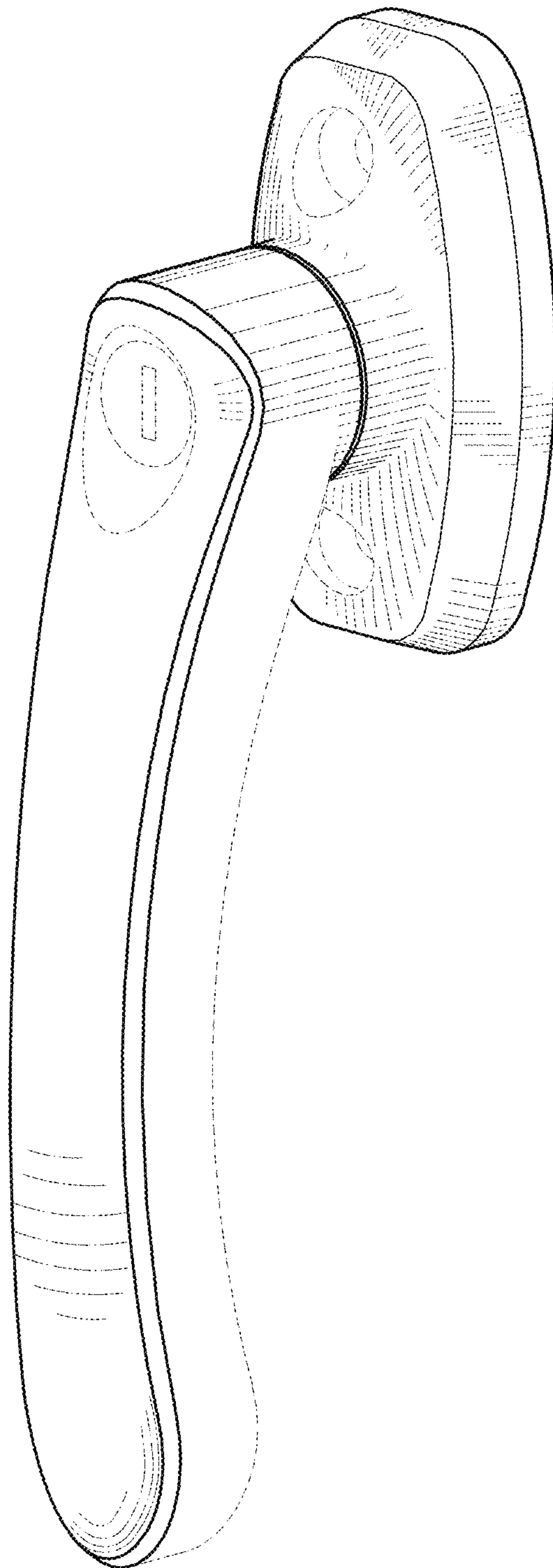
The ornamental design for an L-handle, as shown and described.

**DESCRIPTION**

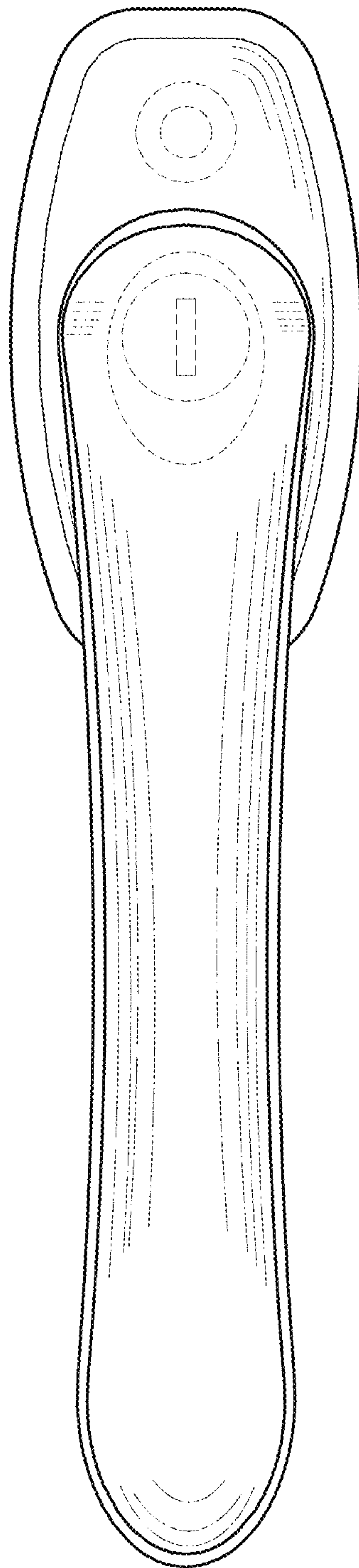
FIG. 1 is a front isometric view of an L-handle of the invention.  
FIG. 2 is a front view of the L-handle of FIG. 1.  
FIG. 3 is a right side view of the L-handle of FIG. 1.  
FIG. 4 is a left side view of the L-handle of FIG. 1.  
FIG. 5 is a top view of the L-handle of FIG. 1; and,  
FIG. 6 is a bottom view of the L-handle of FIG. 1.  
The broken lines shown represent unclaimed subject matter and form no part of the claimed design.

**1 Claim, 5 Drawing Sheets**

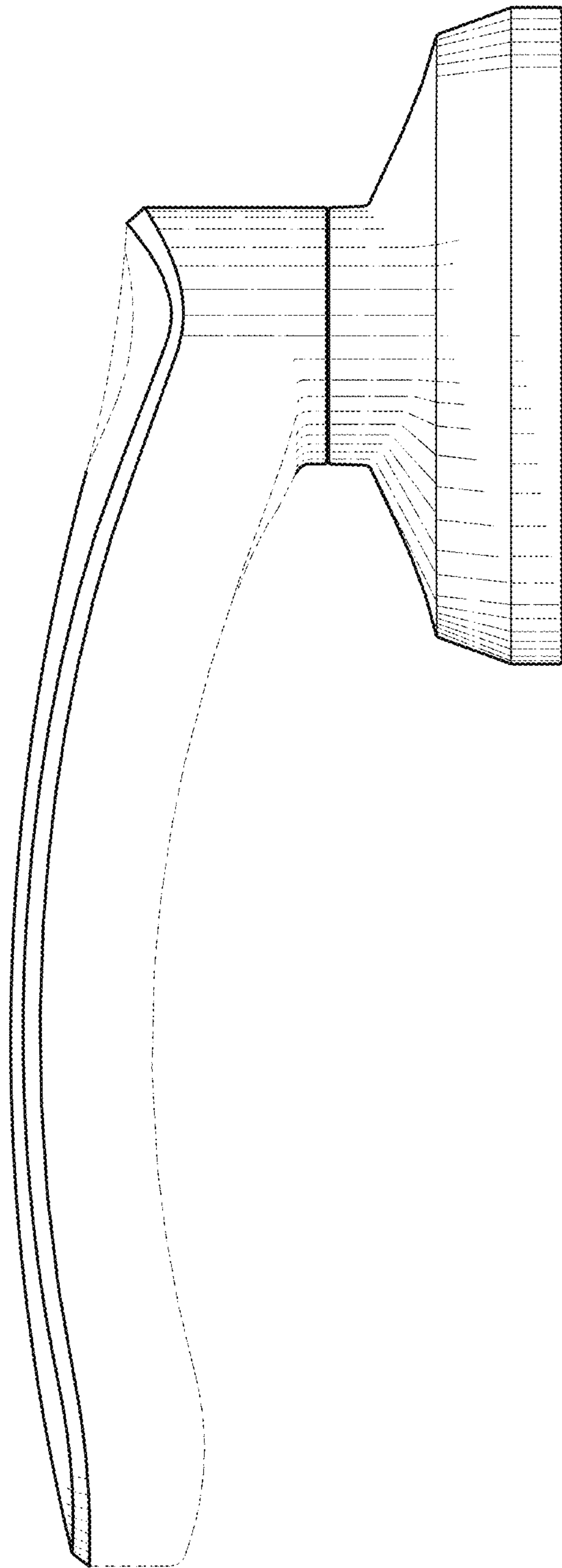




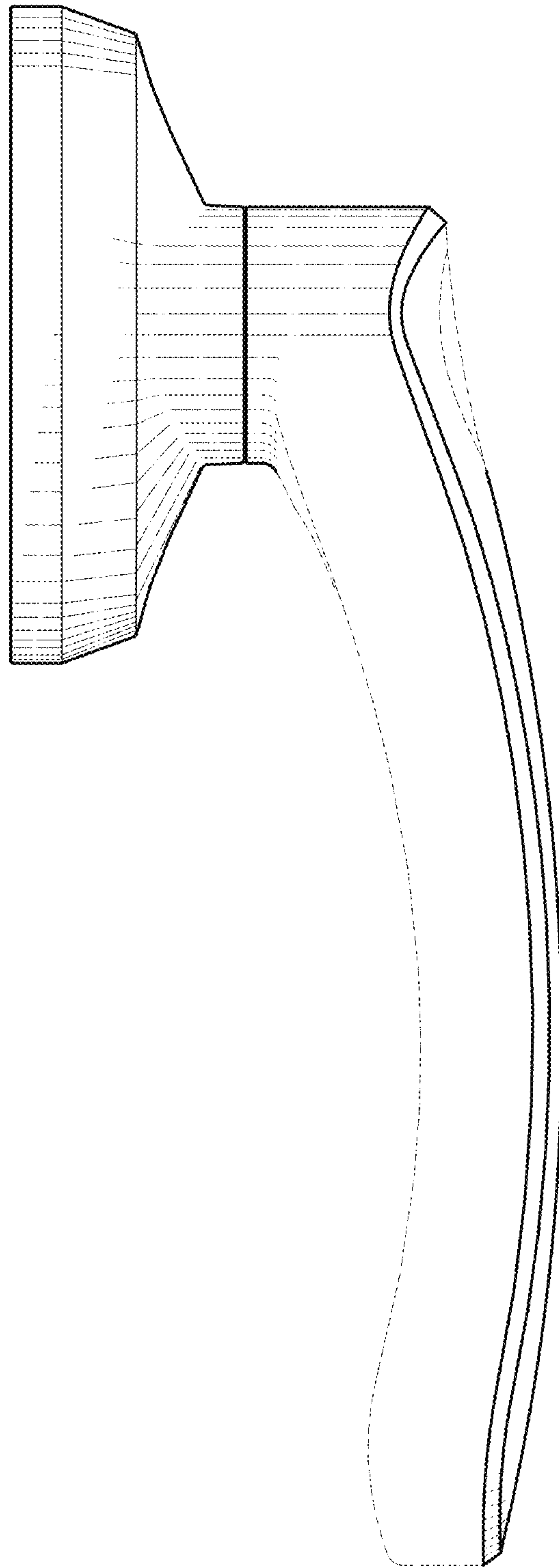
*Fig. 1*



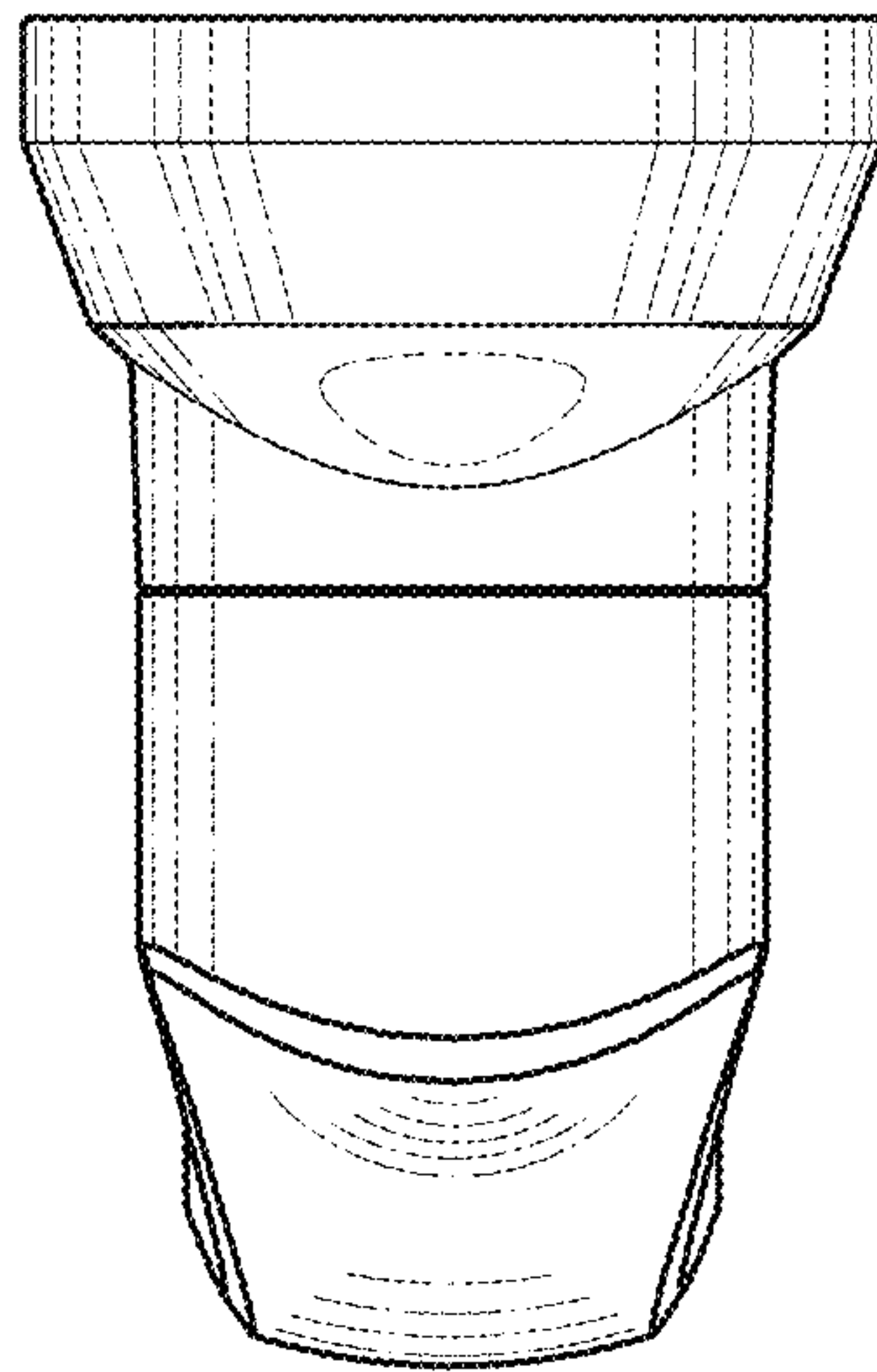
*Fig. 2*



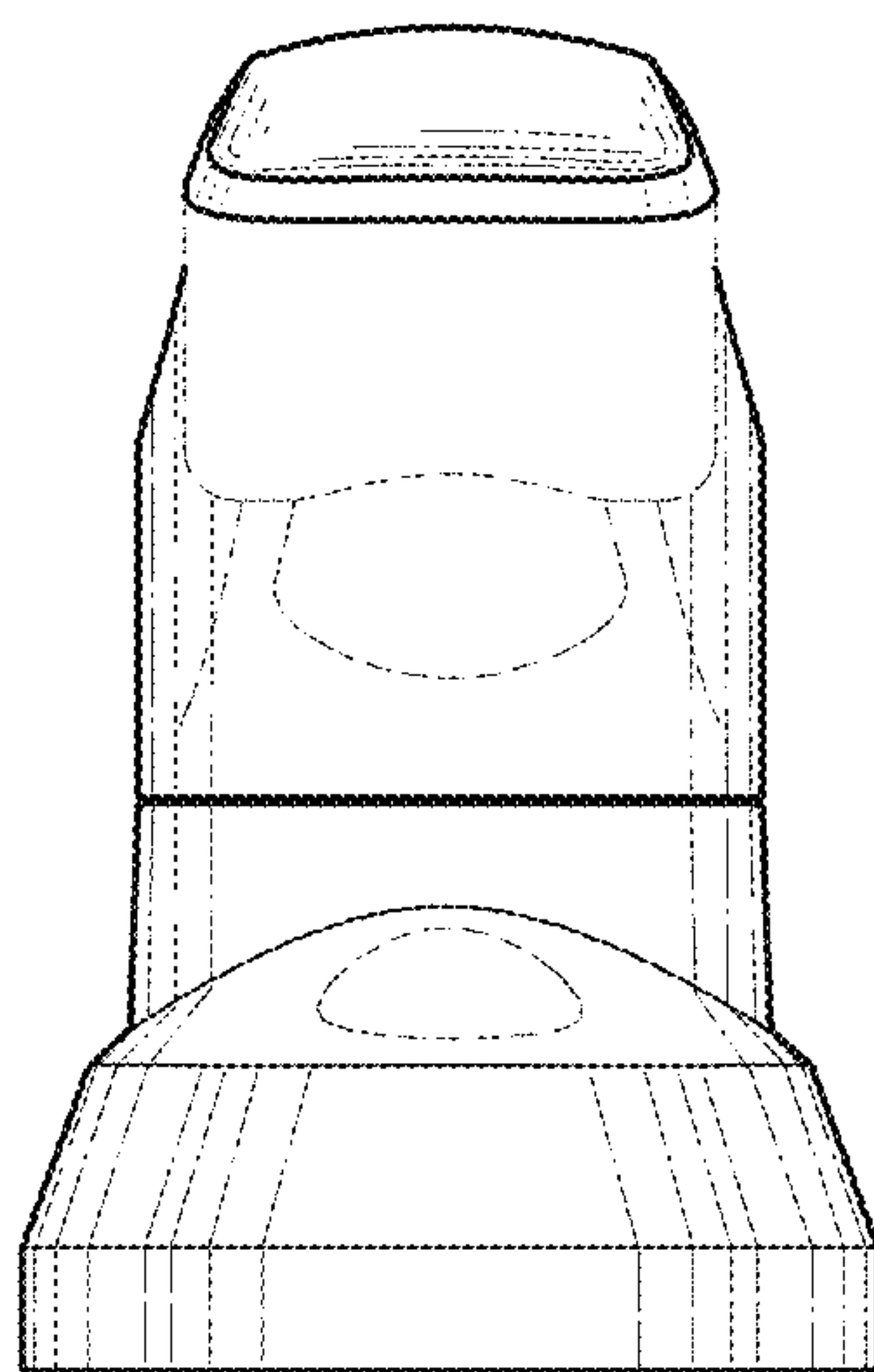
*Fig. 3*



*Fig. 4*



*Fig. 5*



*Fig. 6*