



US00D767963S

(12) **United States Design Patent** (10) **Patent No.:** **US D767,963 S**
Baxter (45) **Date of Patent:** **** Oct. 4, 2016**

(54) **CHAIN SAW**

(56) **References Cited**

(71) Applicant: **BLACK & DECKER INC.**,
Wilmington, DE (US)

U.S. PATENT DOCUMENTS

(72) Inventor: **Mark Baxter**, Tyne & Wear (GB)

D365,262 S	*	12/1995	Beaulieu	D8/65
D445,657 S	*	7/2001	Jong	D8/65
D547,630 S	*	7/2007	Fisher	D8/65
D641,603 S	*	7/2011	Tinius	D8/65
D651,497 S	*	1/2012	Worsnop	D8/65
D658,959 S	*	5/2012	Landberg	D8/65
D662,801 S	*	7/2012	Tinius	D8/65
D663,182 S	*	7/2012	Schoening	D8/65
D690,570 S	*	10/2013	Tinius	D8/65
D711,700 S	*	8/2014	Mehra	D8/65

(73) Assignee: **BLACK & DECKER INC.**, New
Britain, CT (US)

(**) Term: **14 Years**

* cited by examiner

(21) Appl. No.: **29/514,187**

(22) Filed: **Jan. 9, 2015**

Primary Examiner — Austin Murphy

(30) **Foreign Application Priority Data**

(74) *Attorney, Agent, or Firm* — John Yun

Jul. 11, 2014 (CN) 2014 3 0233901

(51) **LOC (10) Cl.** **08-03**

(52) **U.S. Cl.**
USPC **D8/65**

(58) **Field of Classification Search**

USPC D8/65, 7, 8, 9, 66, 64, 61, 98, 14, 51,
D8/99, 107, 70, 68, 60, 85, 21, 25, 24, 29,
D8/36, 40; 30/386, 382, 123, 381, 165,
30/123.3, 123.4, 319, 292, 307, 162, 306,
30/263, 92, 371; 125/21; D21/532;
83/832, 833, 834; 74/54, 49
CPC .. B23D 57/02; B23D 57/023; B23D 59/007;
B27B 33/02; B27B 33/14; B27B 33/145;
B27B 1/002; F02N 3/02

See application file for complete search history.

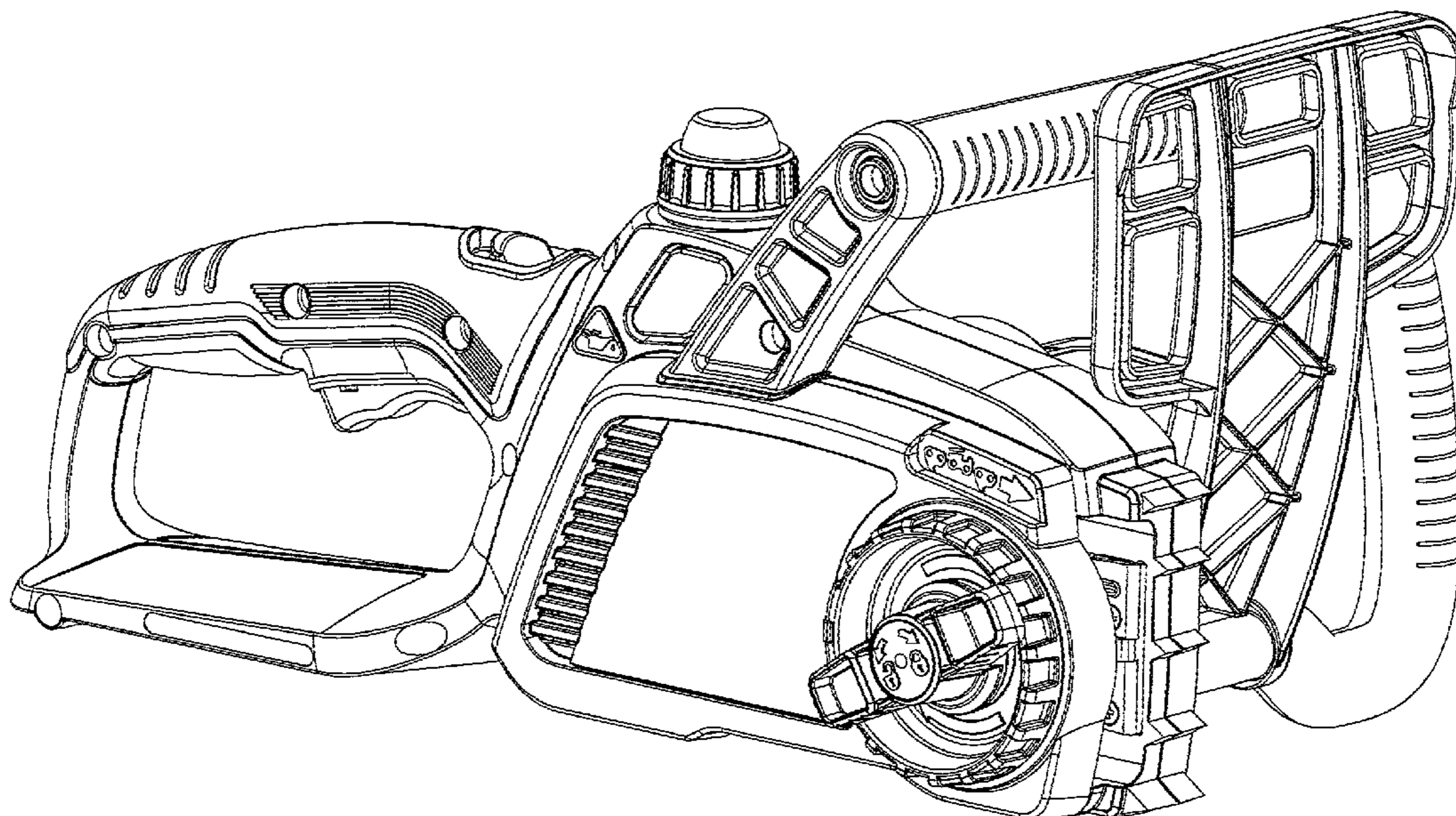
(57) **CLAIM**

The ornamental design for a chain saw, as shown and described.

DESCRIPTION

FIG. 1 is a perspective right view of a chain saw;
FIG. 2 is a perspective left view of a chain saw;
FIG. 3 is a right side view thereof;
FIG. 4 is a left side thereof;
FIG. 5 is a front view thereof;
FIG. 6 is a rear view thereof;
FIG. 7 is a top view thereof; and,
FIG. 8 is a bottom view thereof.
The broken lines shown in the drawings represent portions of the chain saw that form no part of the claimed design.

1 Claim, 8 Drawing Sheets



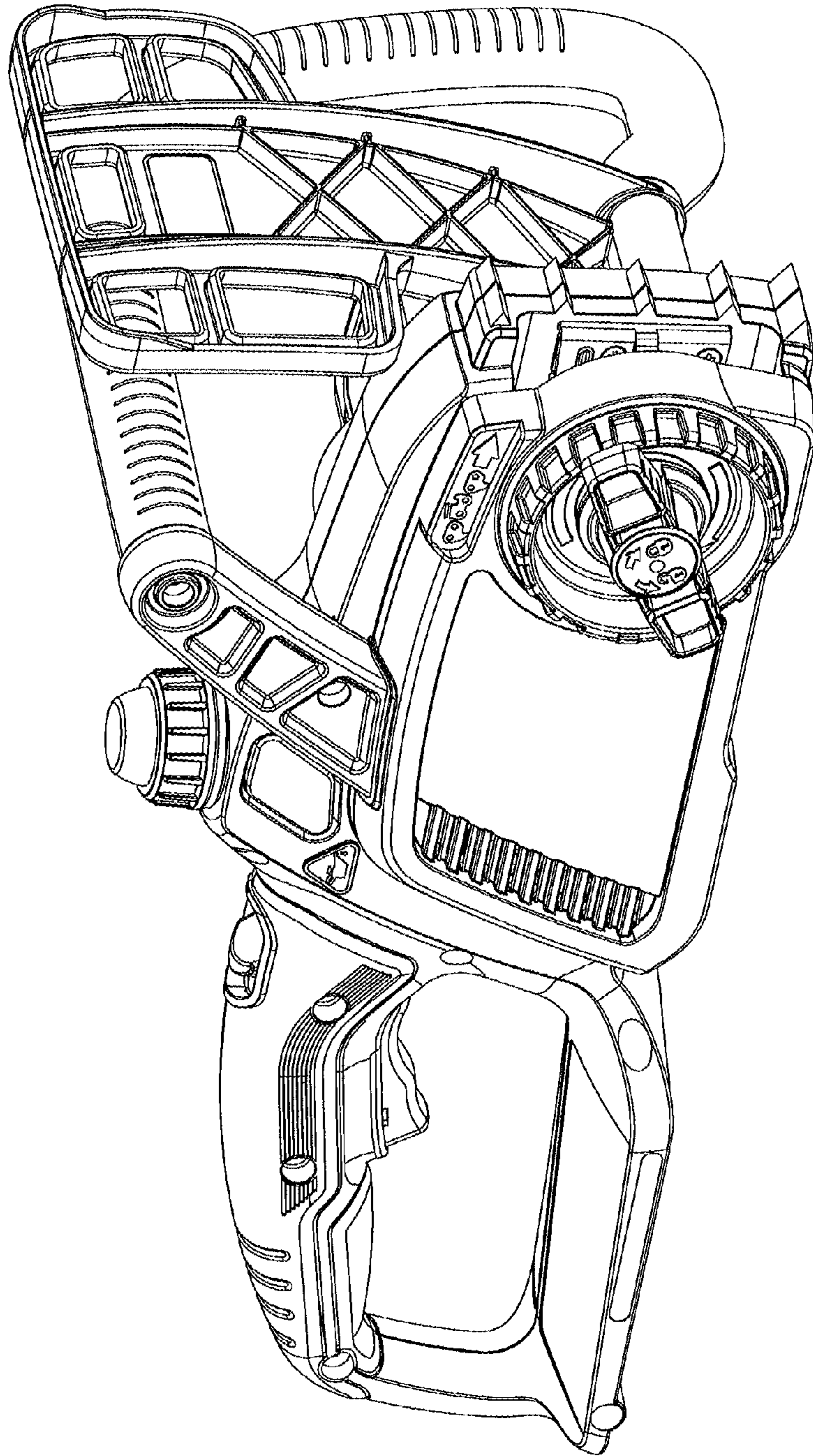


FIG. 1

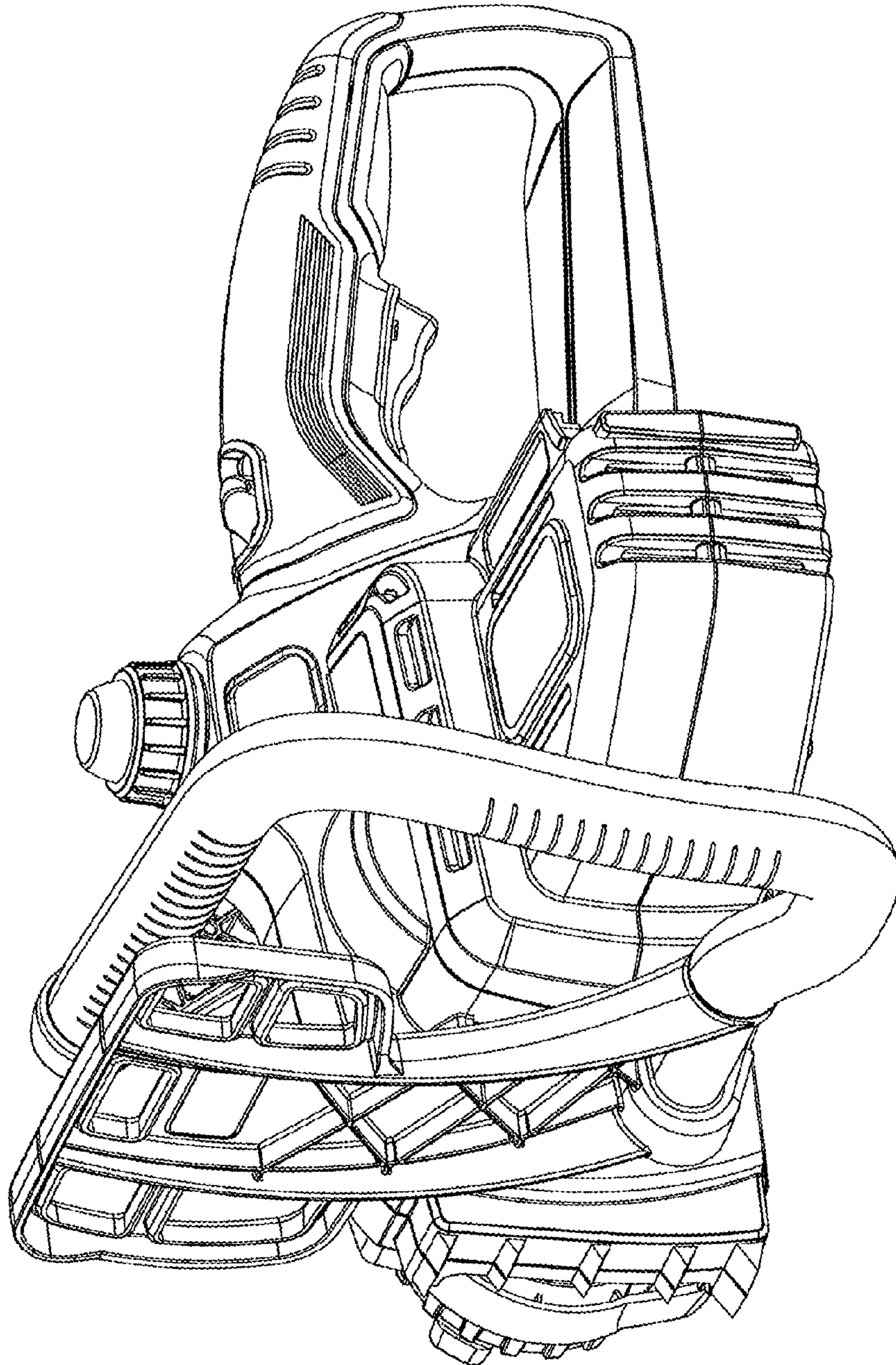


FIG. 2

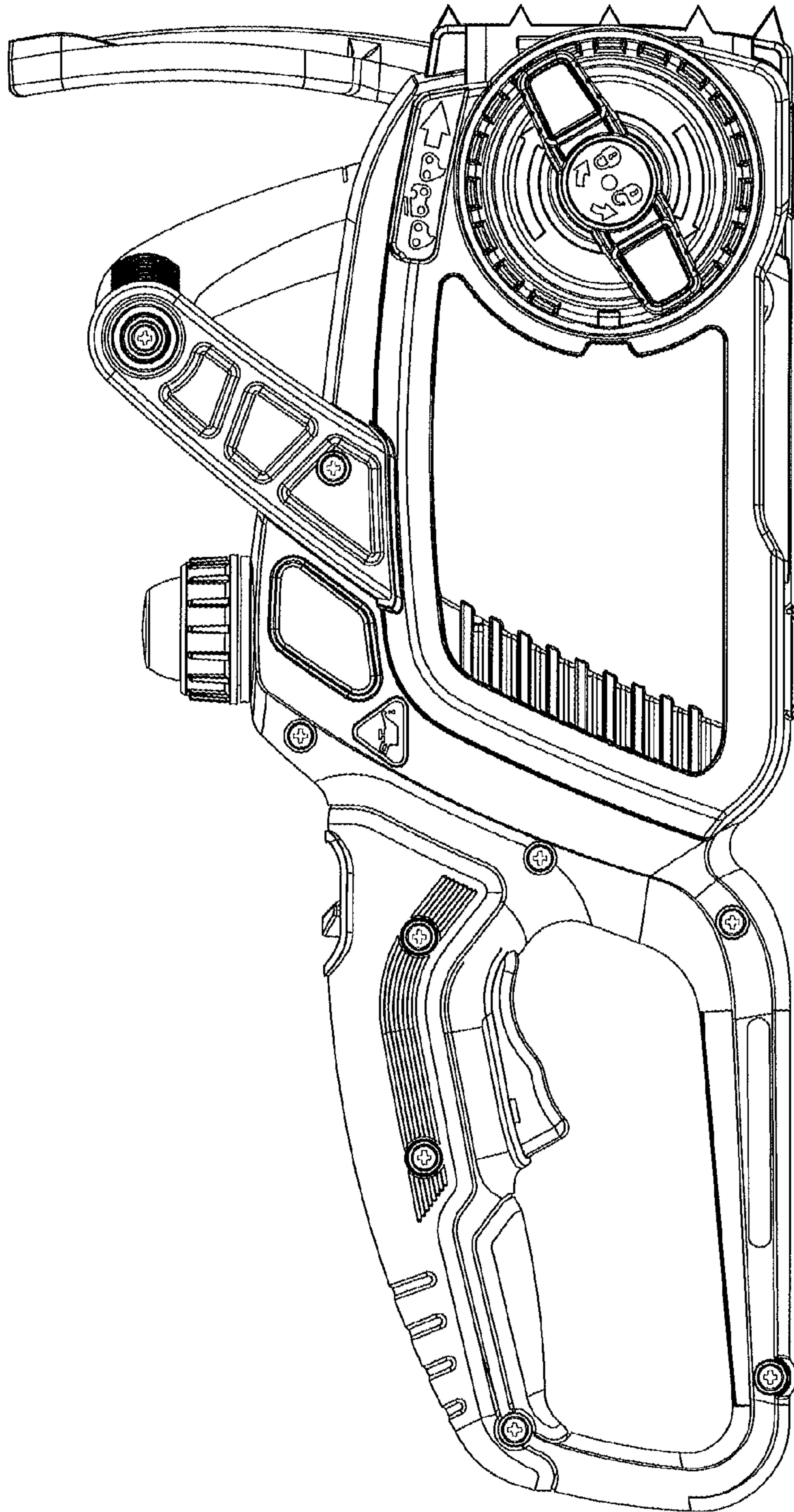


FIG. 3

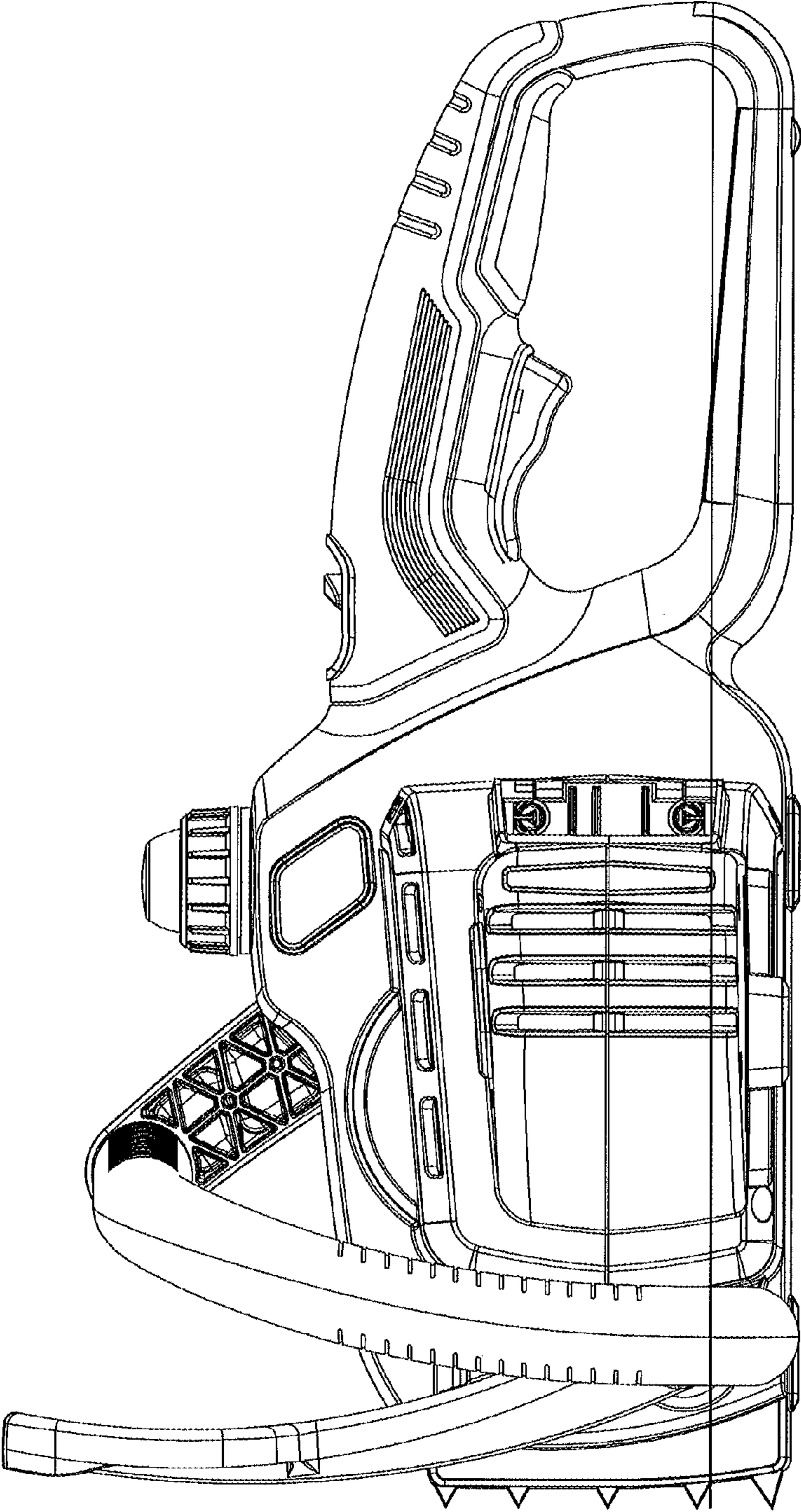


FIG. 4

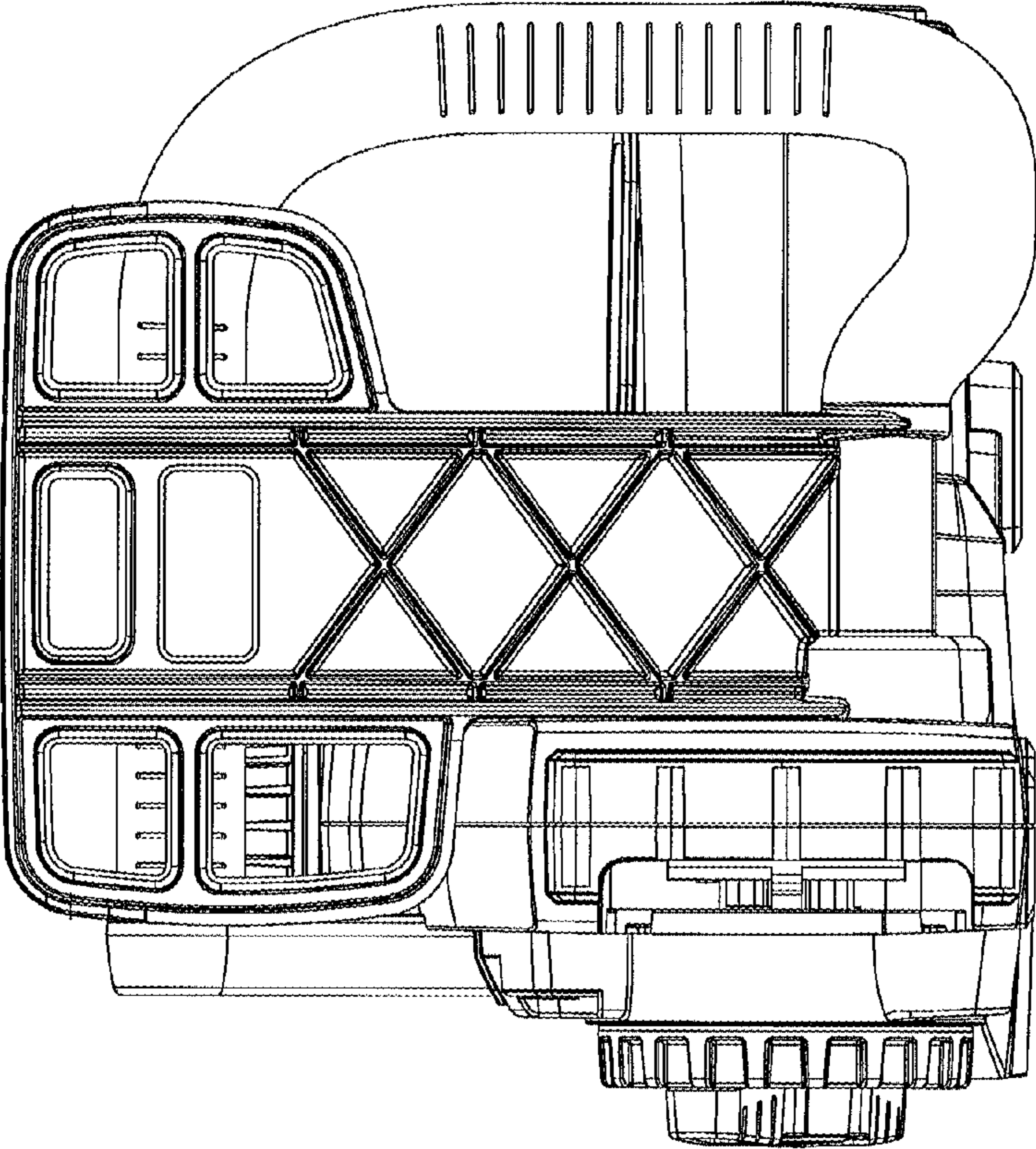


FIG. 5

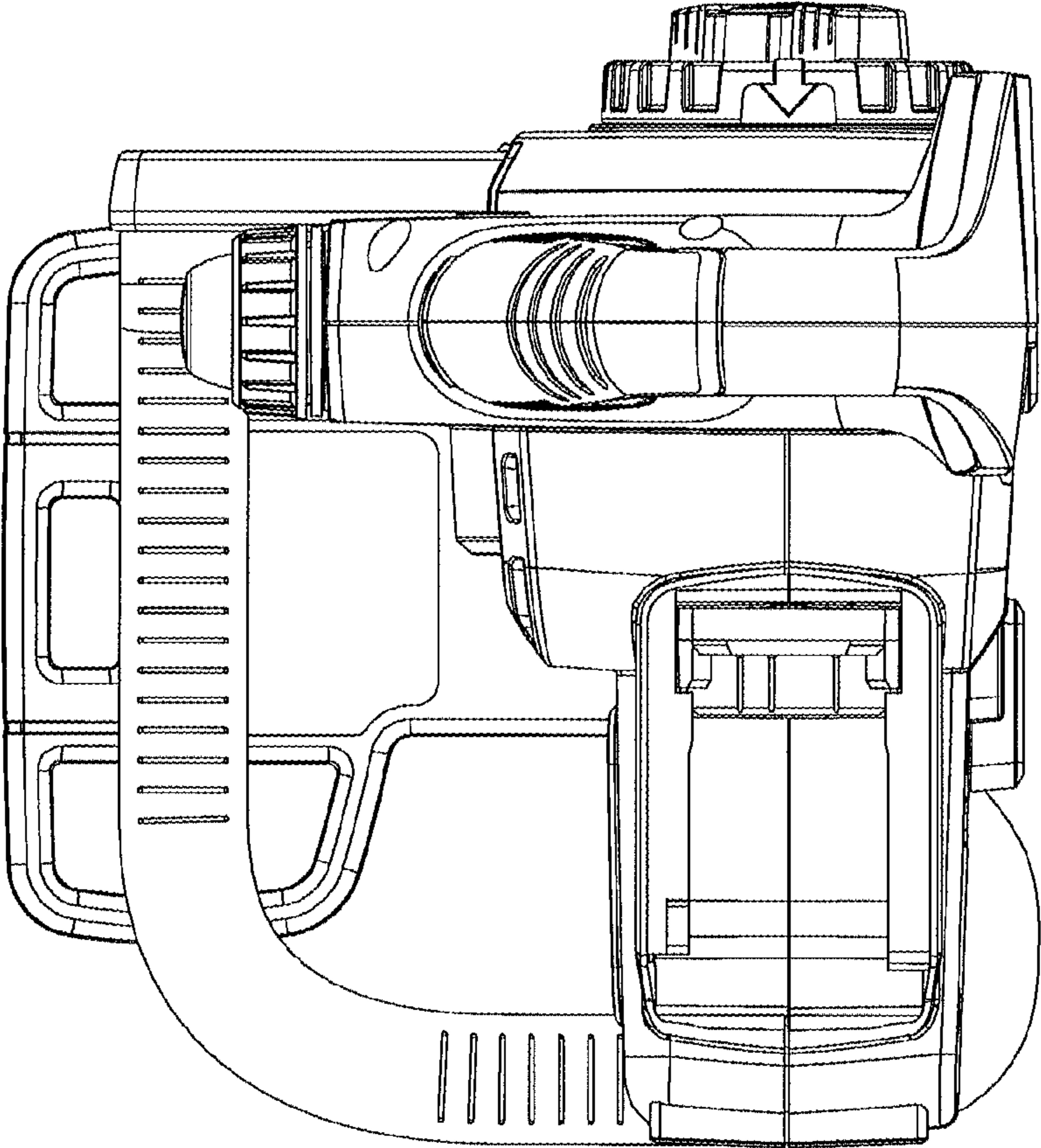


FIG. 6

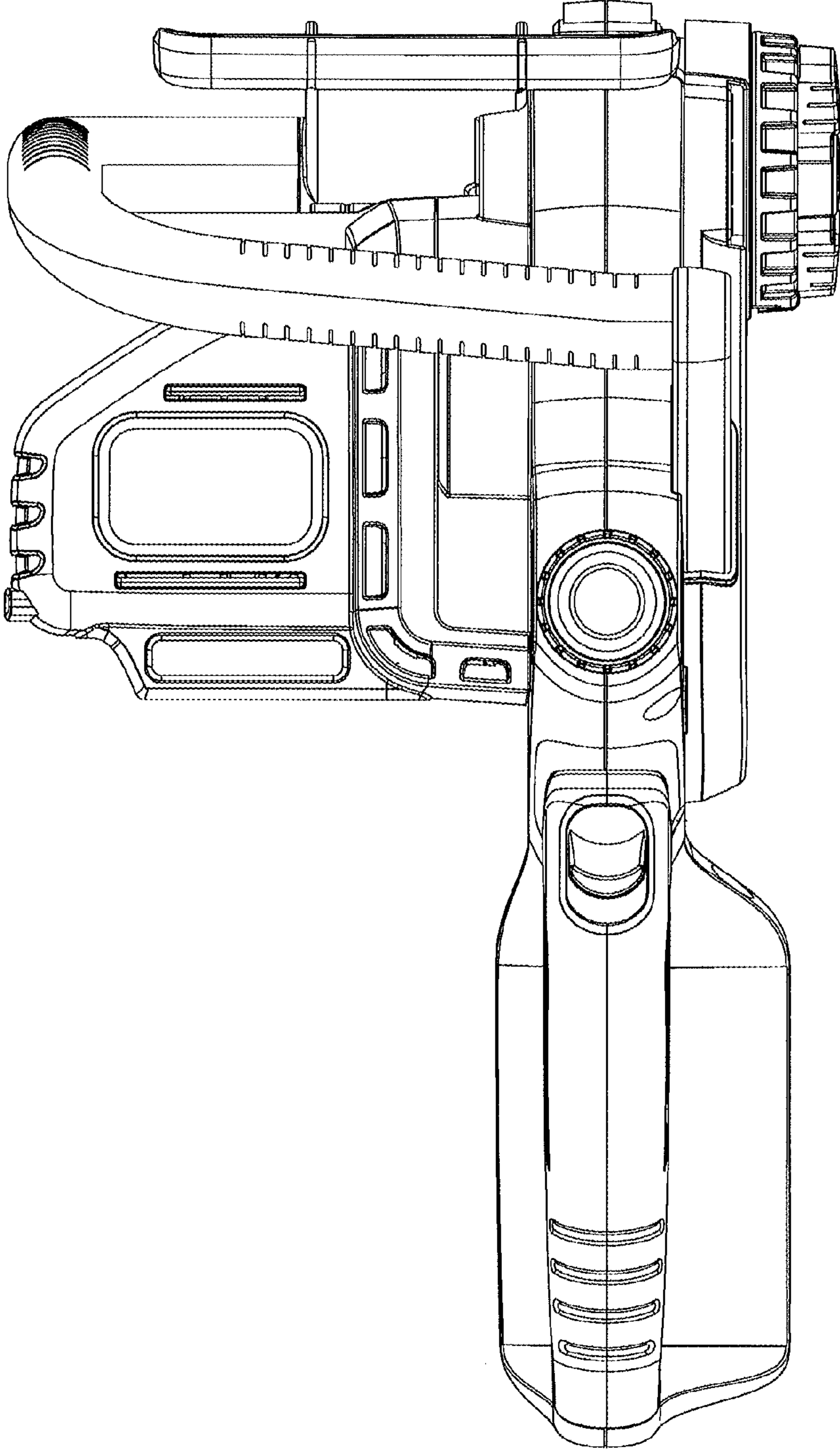


FIG. 7

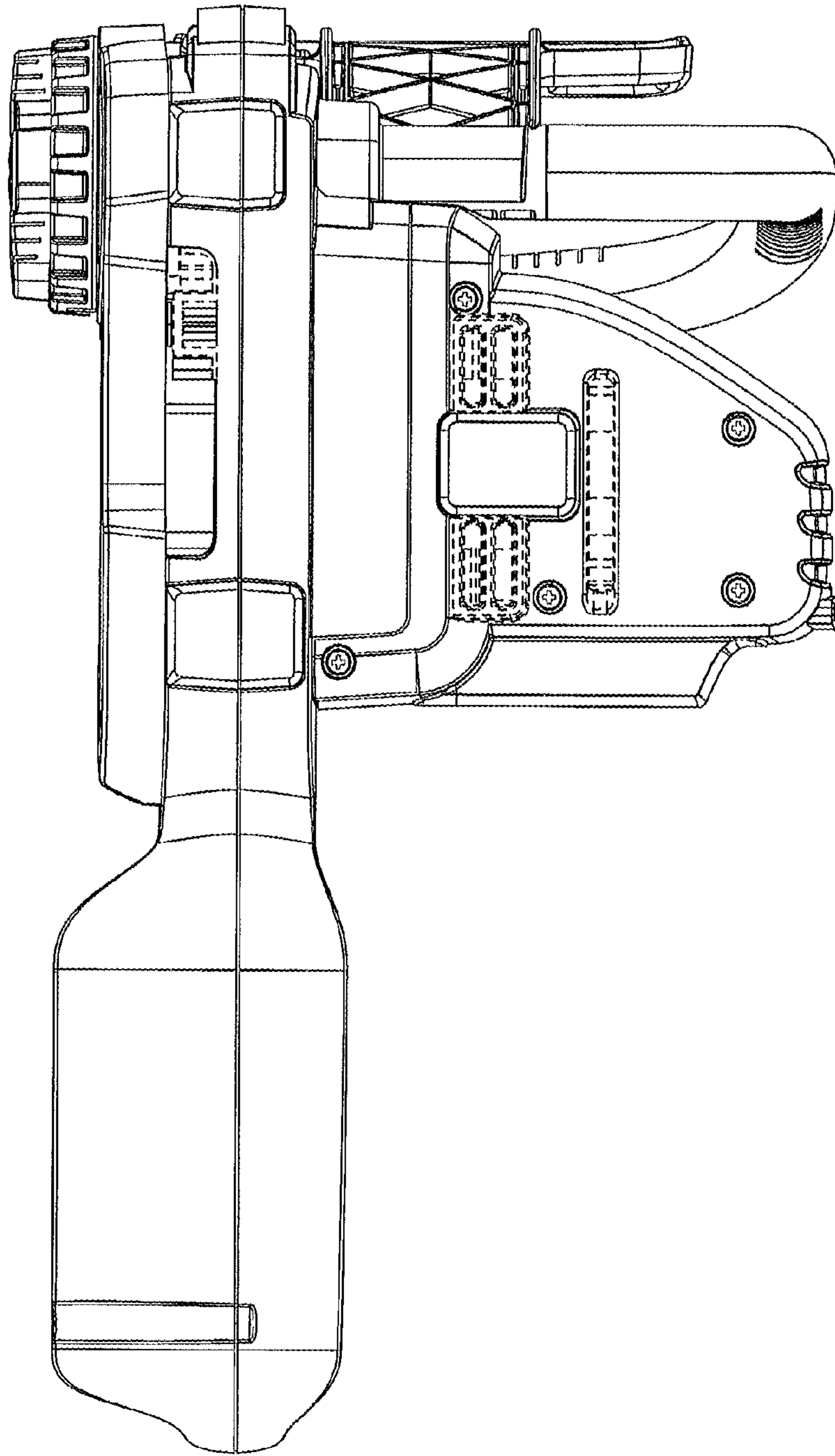


FIG. 8