



US00D767962S

(12) **United States Design Patent** (10) **Patent No.:** **US D767,962 S**  
**Schoch** (45) **Date of Patent:** **\*\* Oct. 4, 2016**

(54) **CHAIN SAW**  
(71) Applicant: **BLACK & DECKER INC.**, Newark,  
DE (US)  
(72) Inventor: **Robert B. Schoch**, Baltimore, MD  
(US)  
(73) Assignee: **BLACK & DECKER INC.**, New  
Britain, CT (US)

D547,630 S \* 7/2007 Fisher ..... D8/65  
D641,603 S \* 7/2011 Tinius ..... D8/65  
D651,497 S \* 1/2012 Worsnop ..... D8/65  
D658,959 S \* 5/2012 Landberg ..... D8/65  
D662,801 S \* 7/2012 Tinius ..... D8/65  
D663,182 S \* 7/2012 Schoening ..... D8/65  
D690,570 S \* 10/2013 Tinius ..... D8/65  
D711,700 S \* 8/2014 Mehra ..... D8/65

\* cited by examiner

*Primary Examiner* — Austin Murphy

(74) *Attorney, Agent, or Firm* — John Yun

(\*\*) Term: **14 Years**

(21) Appl. No.: **29/512,384**

(22) Filed: **Dec. 18, 2014**

(51) **LOC (10) Cl.** ..... **08-03**

(52) **U.S. Cl.**  
USPC ..... **D8/65**

(58) **Field of Classification Search**  
USPC ..... D8/65, 7, 8, 9, 66, 64, 61, 98, 14, 51,  
D8/99, 107, 70, 68, 60, 85, 21, 25, 24, 29,  
D8/36, 40; 30/386, 382, 123, 381, 165,  
30/123.3, 123.4, 319, 292, 307, 162, 306,  
30/263, 92, 371; 125/21; D21/532;  
83/832, 833, 834; 74/54, 49  
CPC ..... B27B 17/02  
See application file for complete search history.

(56) **References Cited**

U.S. PATENT DOCUMENTS

D365,262 S \* 12/1995 Beaulieu ..... D8/65  
D445,657 S \* 7/2001 Jong ..... D8/65

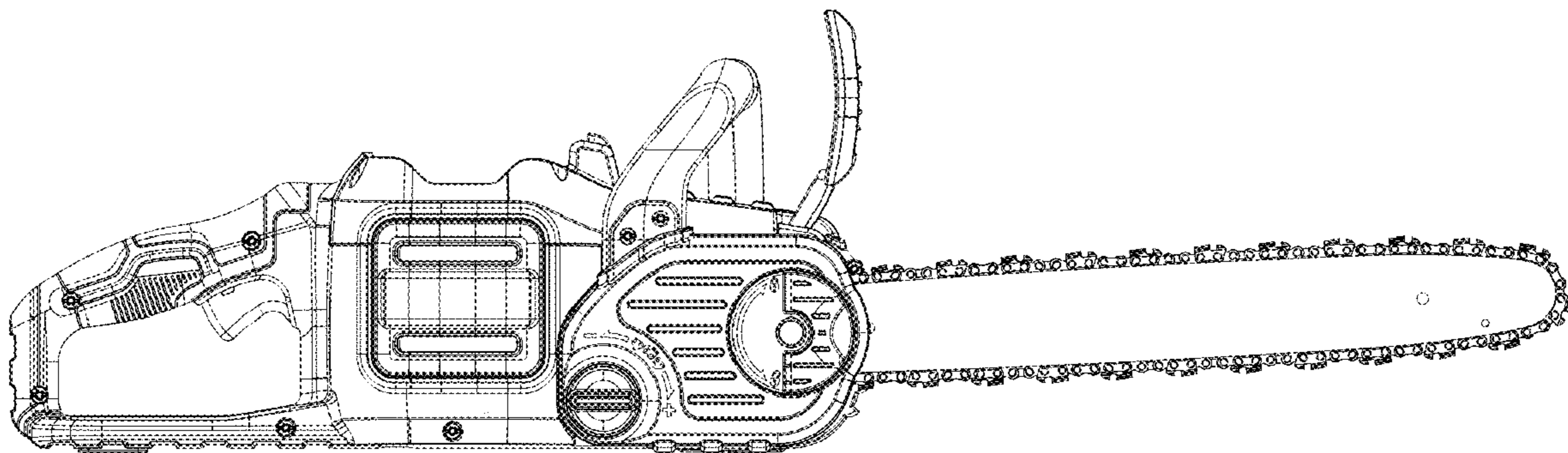
(57) **CLAIM**

The ornamental design for a chain saw, as shown and described.

**DESCRIPTION**

FIG. 1 is a perspective view of a chain saw showing my new design;  
FIG. 2 is a front view thereof  
FIG. 3 is a rear view thereof;  
FIG. 4 is a left side view thereof;  
FIG. 5 is a right side view thereof;  
FIG. 6 is a top plan view thereof; and,  
FIG. 7 is a bottom plan view thereof.  
The broken lines shown in the drawings represent portions of the chain saw that form no part of the claimed design.

**1 Claim, 7 Drawing Sheets**



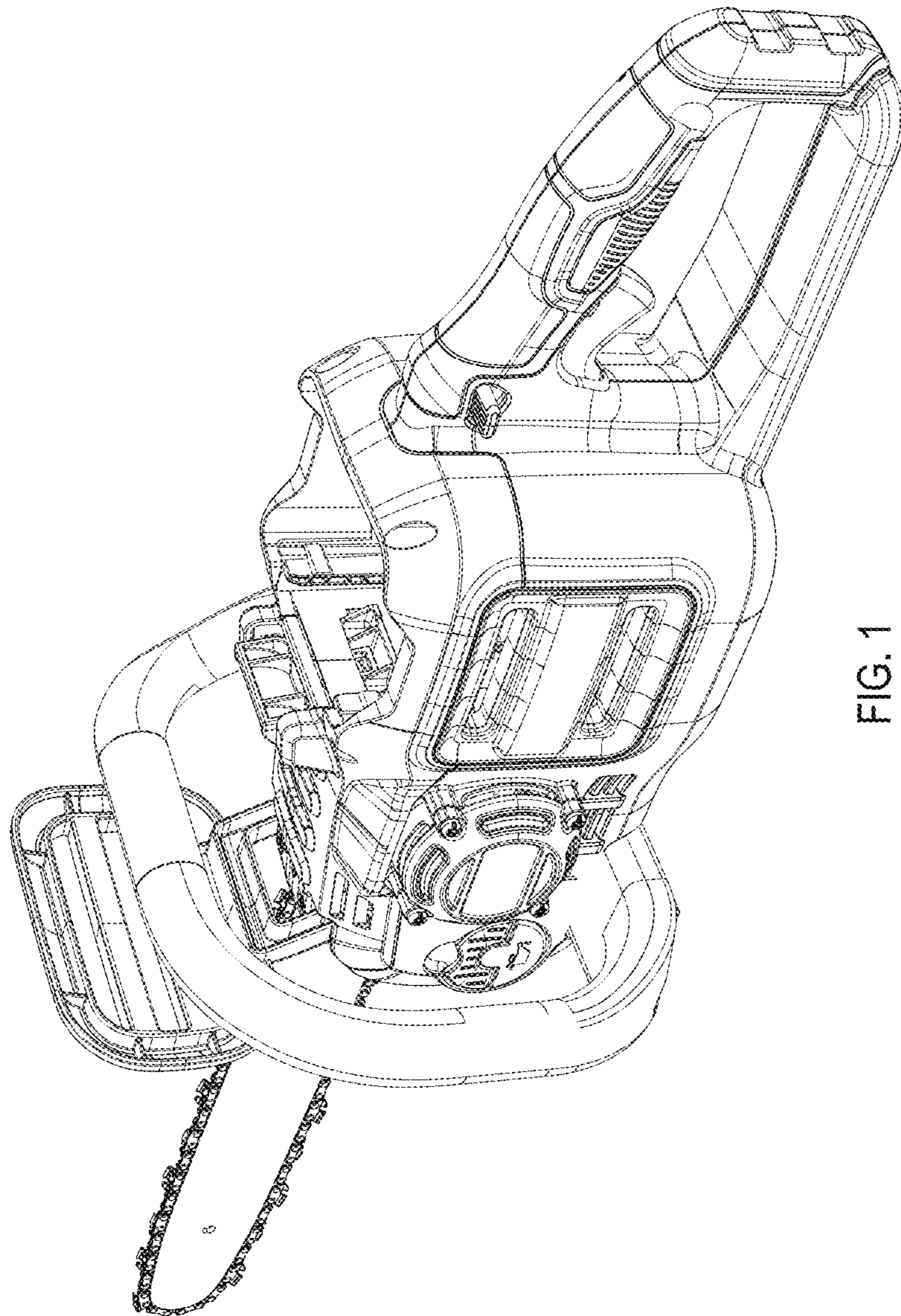


FIG. 1

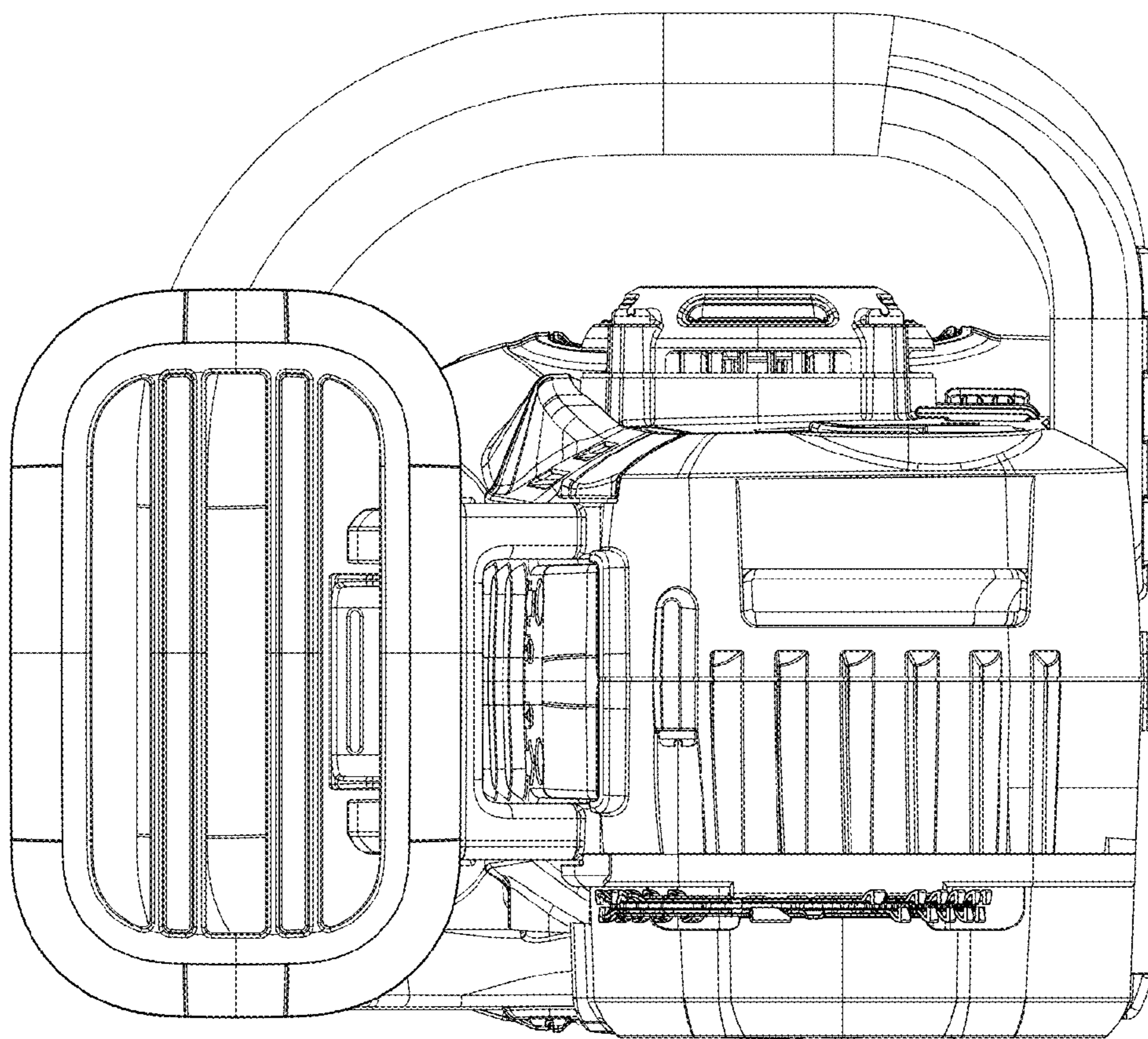


FIG. 2



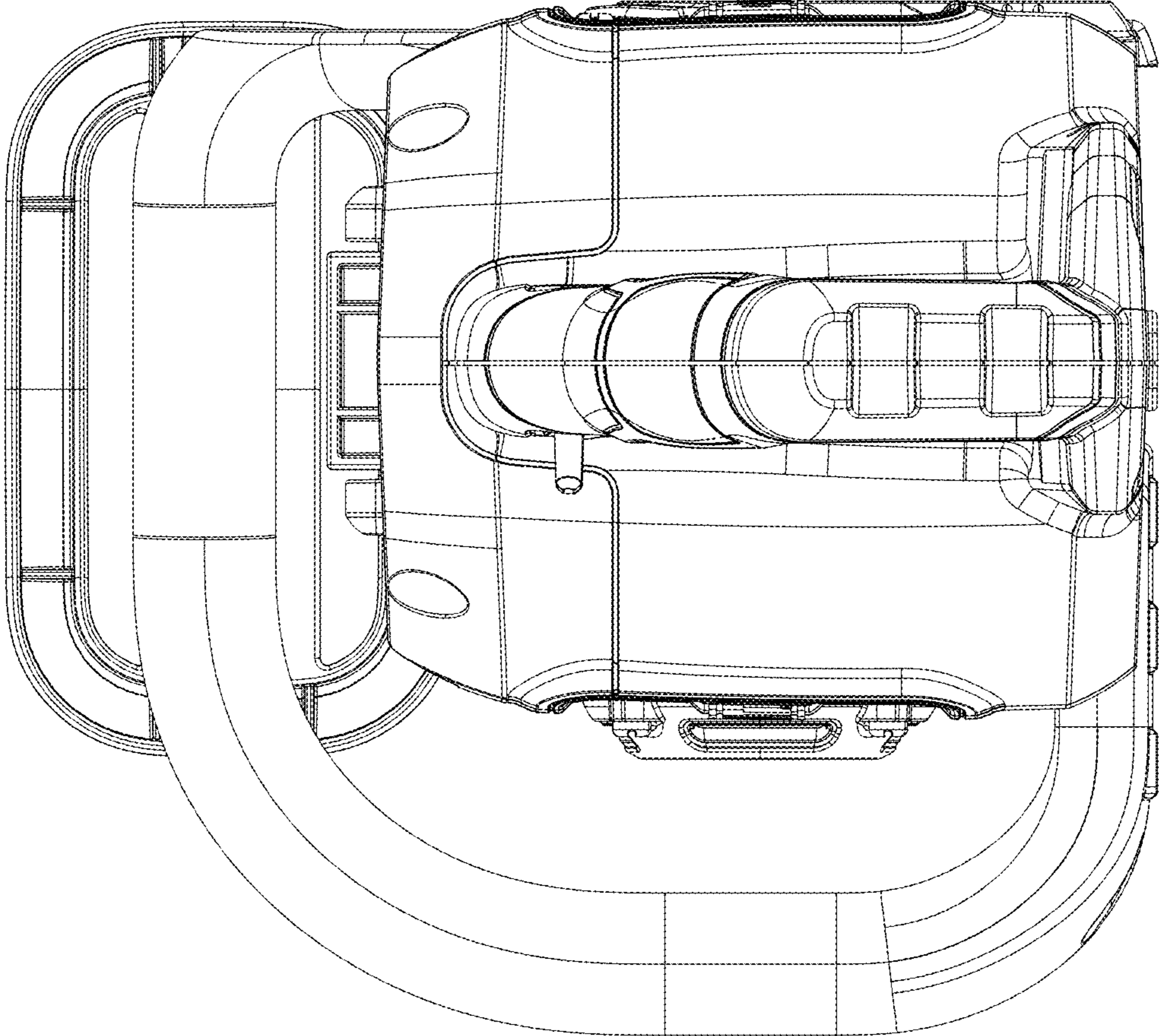


FIG. 3

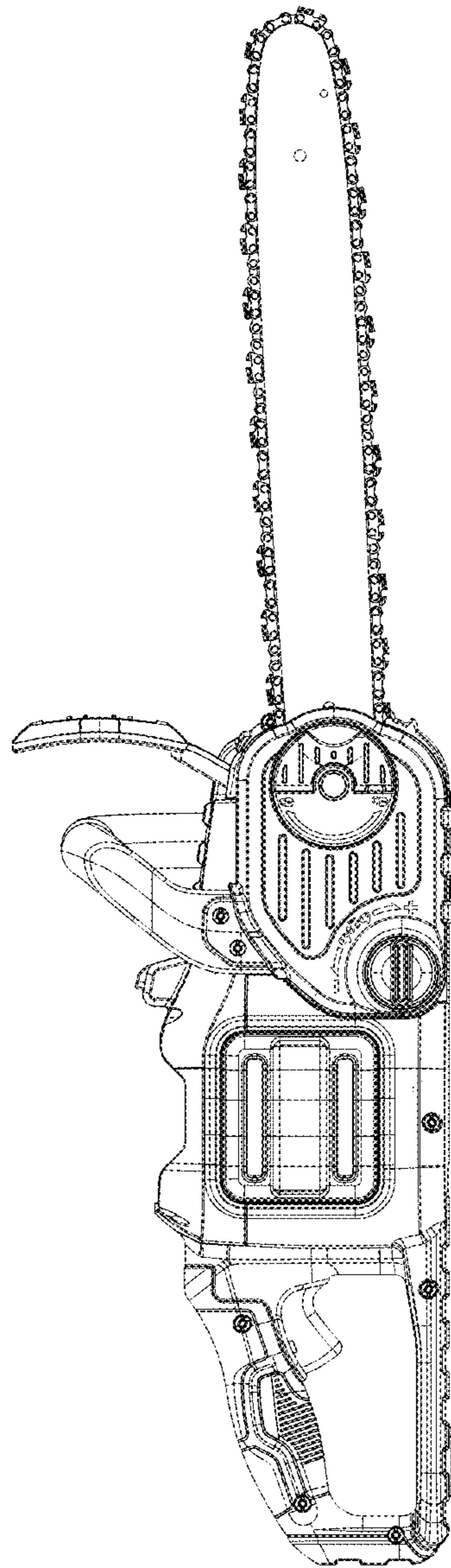


FIG. 4

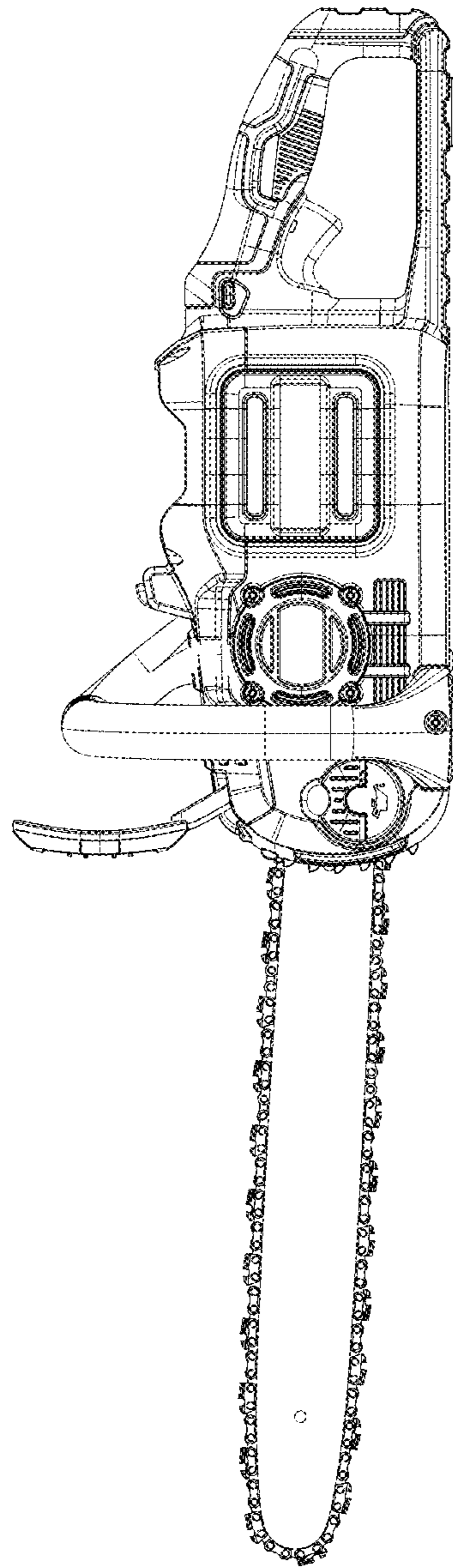


FIG. 5

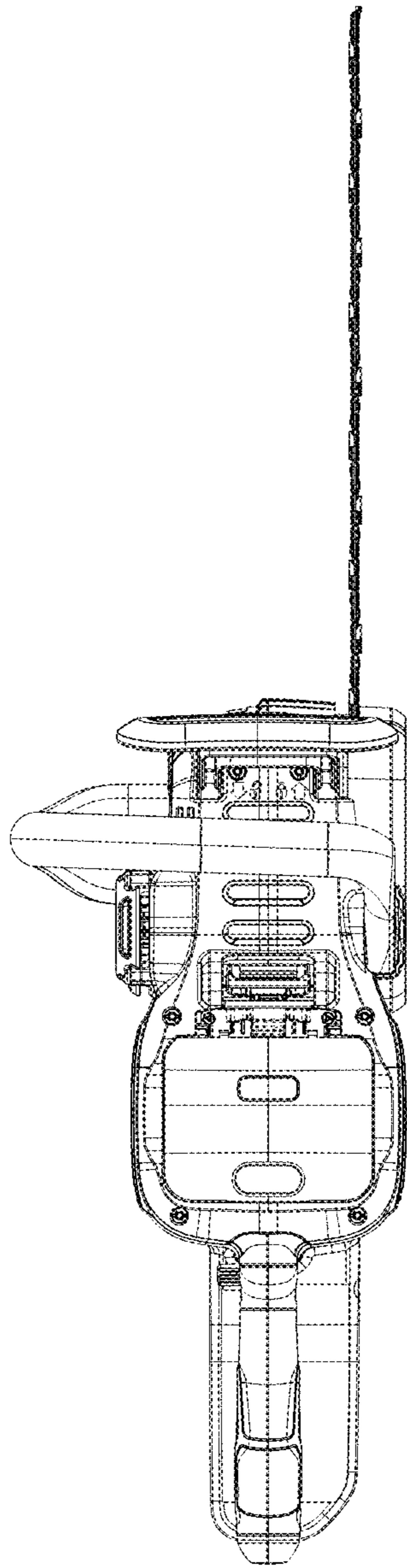


FIG. 6

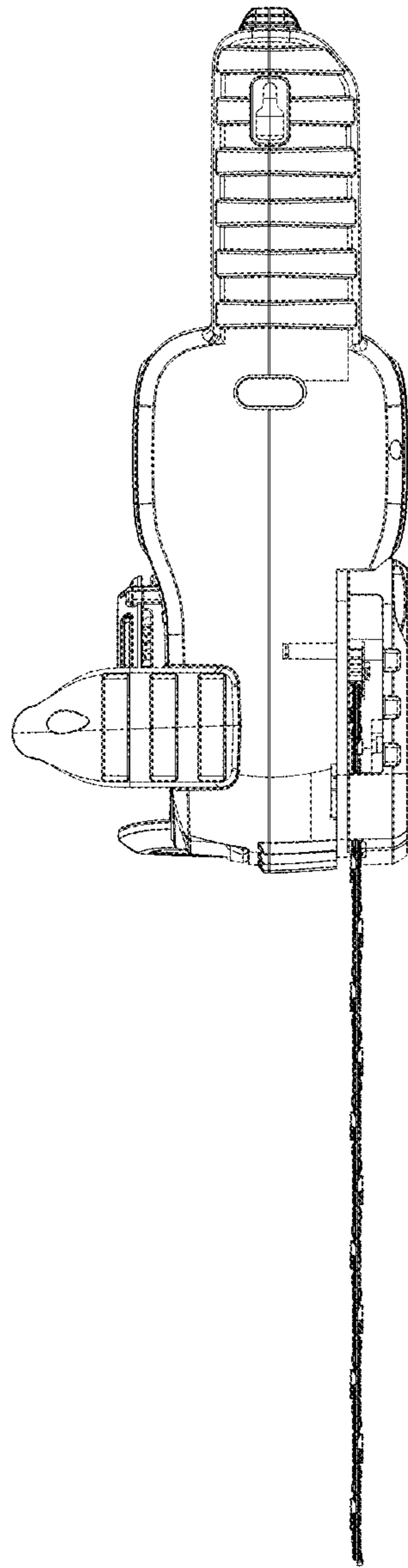


FIG. 7