



US00D767961S

(12) **United States Design Patent**
Cooksey et al.

(10) **Patent No.:** **US D767,961 S**
(45) **Date of Patent:** **** Oct. 4, 2016**

(54) **POWER TOOL**

5,005,321 A 4/1991 Barth et al.
5,157,873 A 10/1992 Rudolf et al.
5,163,252 A 11/1992 Garner et al.

(71) Applicant: **Milwaukee Electric Tool Corporation,**
Brookfield, WI (US)

(Continued)

(72) Inventors: **Charles K. Cooksey,** Menomonee
Falls, WI (US); **Daryl S. Richards,**
Sussex, WI (US)

Primary Examiner — Austin Murphy
(74) *Attorney, Agent, or Firm* — Michael Best &
Friedrich LLP

(73) Assignee: **MILWAUKEE ELECTRIC TOOL**
CORPORATION, Brookfield, WI (US)

(57) **CLAIM**

(**) Term: **15 Years**

We claim the ornamental design for a power tool, as shown
and described.

(21) Appl. No.: **29/543,867**

(22) Filed: **Oct. 29, 2015**

DESCRIPTION

Related U.S. Application Data

(63) Continuation of application No. 29/496,660, filed on
Jul. 16, 2014, now Pat. No. Des. 744,800.

(51) **LOC (10) Cl.** **08-03**

(52) **U.S. Cl.**

USPC **D8/62**

(58) **Field of Classification Search**

USPC D8/69, 68, 67, 66, 64, 61, 70;
83/698.41, 747, 166.3, 374, 373, 375,
83/376, 391, 377, 390, 388, 389;
125/13.01; 144/218; D21/532

CPC B24B 23/028; B24B 47/12; B24B 7/186;
B25F 5/001; B25F 5/02

See application file for complete search history.

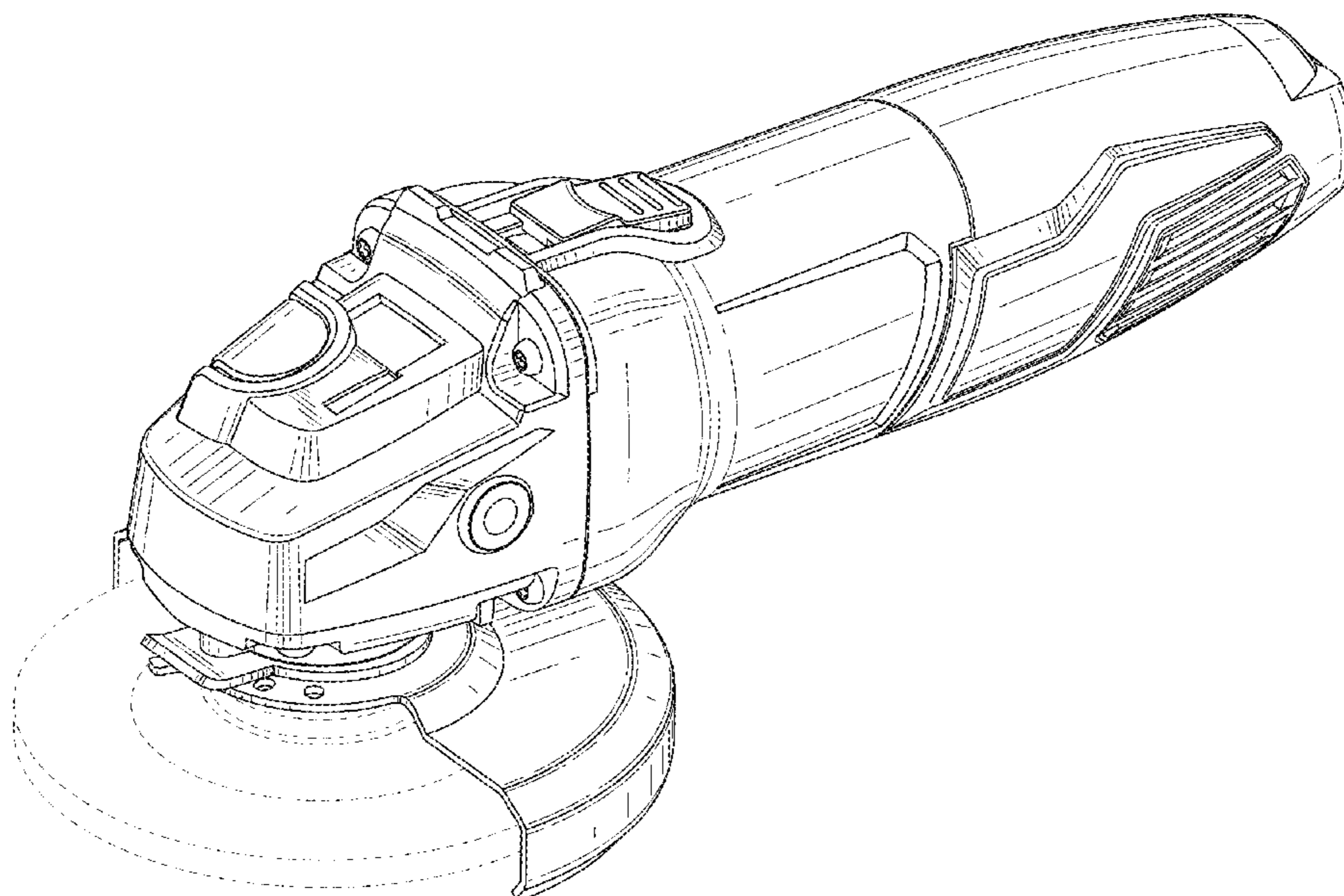
FIG. 1 is a top perspective view of a power tool in accordance with an embodiment of the invention.
FIG. 2 is a left side view of the power tool of FIG. 1.
FIG. 3 is a right side view of the power tool of FIG. 1.
FIG. 4 is a front view of the power tool of FIG. 1.
FIG. 5 is a rear view of the power tool of FIG. 1.
FIG. 6 is a top view of the power tool of FIG. 1.
FIG. 7 is a bottom view of the power tool of FIG. 1.
FIG. 8 is a top perspective view of a power tool in accordance with another embodiment of the invention.
FIG. 9 is a left side view of the power tool of FIG. 8.
FIG. 10 is a right side view of the power tool of FIG. 8.
FIG. 11 is a front view of the power tool of FIG. 8.
FIG. 12 is a rear view of the power tool of FIG. 8.
FIG. 13 is a top view of the power tool of FIG. 8; and,
FIG. 14 is a bottom view of the power tool of FIG. 8.
The portions of the power tool shown in broken lines are included for the purpose of illustrating environment and form no part of the claimed design.

(56) **References Cited**

U.S. PATENT DOCUMENTS

4,574,532 A 3/1986 Haberle et al.
4,924,635 A 5/1990 Rudolf et al.

1 Claim, 12 Drawing Sheets



(56)

References Cited

U.S. PATENT DOCUMENTS

5,319,889 A 6/1994 Rudolf et al.
 5,384,985 A 1/1995 Jacobsson
 5,386,667 A 2/1995 Hausslein et al.
 5,601,483 A 2/1997 Rudolf et al.
 5,637,035 A 6/1997 Yee
 5,766,062 A 6/1998 Edling
 RE36,909 E 10/2000 Satos
 D433,906 S 11/2000 Heun
 D456,234 S 4/2002 Keller
 D456,685 S 5/2002 Keller
 D458,825 S 6/2002 Keller et al.
 6,464,573 B1 10/2002 Keller
 6,569,001 B2 5/2003 Rudolf et al.
 6,814,655 B2 11/2004 Hofmann
 6,942,560 B2 9/2005 Hofmann
 6,949,017 B2 9/2005 Koschel et al.
 D511,285 S 11/2005 Henssler et al.
 7,059,947 B2 6/2006 Crover
 7,077,734 B2 7/2006 Tiede
 7,131,897 B2 11/2006 Crover
 7,175,513 B2 2/2007 Folin
 D553,933 S 10/2007 Esenwein
 7,524,239 B2 4/2009 Schmidberger-Brinek et al.
 7,892,075 B2 2/2011 Esenwein
 D633,928 S 3/2011 Nilsson
 D634,170 S * 3/2011 Hu D8/62
 7,909,680 B2 3/2011 Boeck et al.
 7,927,191 B2 4/2011 Esenwein
 D637,057 S * 5/2011 Schomisch D8/62
 7,955,162 B2 6/2011 Boeck et al.
 D644,898 S * 9/2011 Okuda D8/62
 D647,772 S * 11/2011 Hayakawa D8/62
 D651,062 S 12/2011 Wackwitz
 D651,499 S 1/2012 Tong

D651,874 S 1/2012 Davidian
 D651,875 S 1/2012 Davidian
 D651,876 S 1/2012 Davidian
 D651,877 S 1/2012 Davidian
 D651,878 S 1/2012 Davidian
 D652,274 S 1/2012 Davidian
 D660,119 S * 5/2012 Fukumoto D8/62
 8,221,197 B2 7/2012 Boeck et al.
 8,231,436 B2 7/2012 Boeck et al.
 D669,754 S 10/2012 Wackwitz
 8,282,446 B2 10/2012 Sulea et al.
 8,454,411 B2 6/2013 Boeck et al.
 8,454,412 B2 6/2013 Esenwein
 D685,240 S * 7/2013 Waldron D8/62
 D685,241 S * 7/2013 Waldron D8/62
 D694,076 S 11/2013 Davidian
 D694,597 S 12/2013 Davidian
 D694,598 S 12/2013 Davidian
 D694,599 S 12/2013 Davidian
 D697,384 S 1/2014 Wackwitz
 D707,517 S * 6/2014 Aglassinger D8/62
 D708,031 S * 7/2014 Aglassinger D8/62
 D709,341 S 7/2014 Nispel
 D710,170 S * 8/2014 Aglassinger D8/62
 D710,171 S * 8/2014 Aglassinger D8/62
 D715,616 S * 10/2014 Aglassinger D8/62
 D724,923 S 3/2015 McRoberts
 D735,568 S 8/2015 Barnett
 D746,118 S * 12/2015 Xu D8/62
 2004/0138668 A1 7/2004 Fisher
 2008/0153404 A1 6/2008 Schmidberger-Brinek et al.
 2010/0056029 A1 3/2010 Grunnikiewicz
 2010/0105300 A1 4/2010 Esenwein
 2010/0304648 A1 12/2010 Boeck et al.
 2011/0195643 A1 8/2011 Dai
 2012/0270480 A1 10/2012 Rohde et al.

* cited by examiner

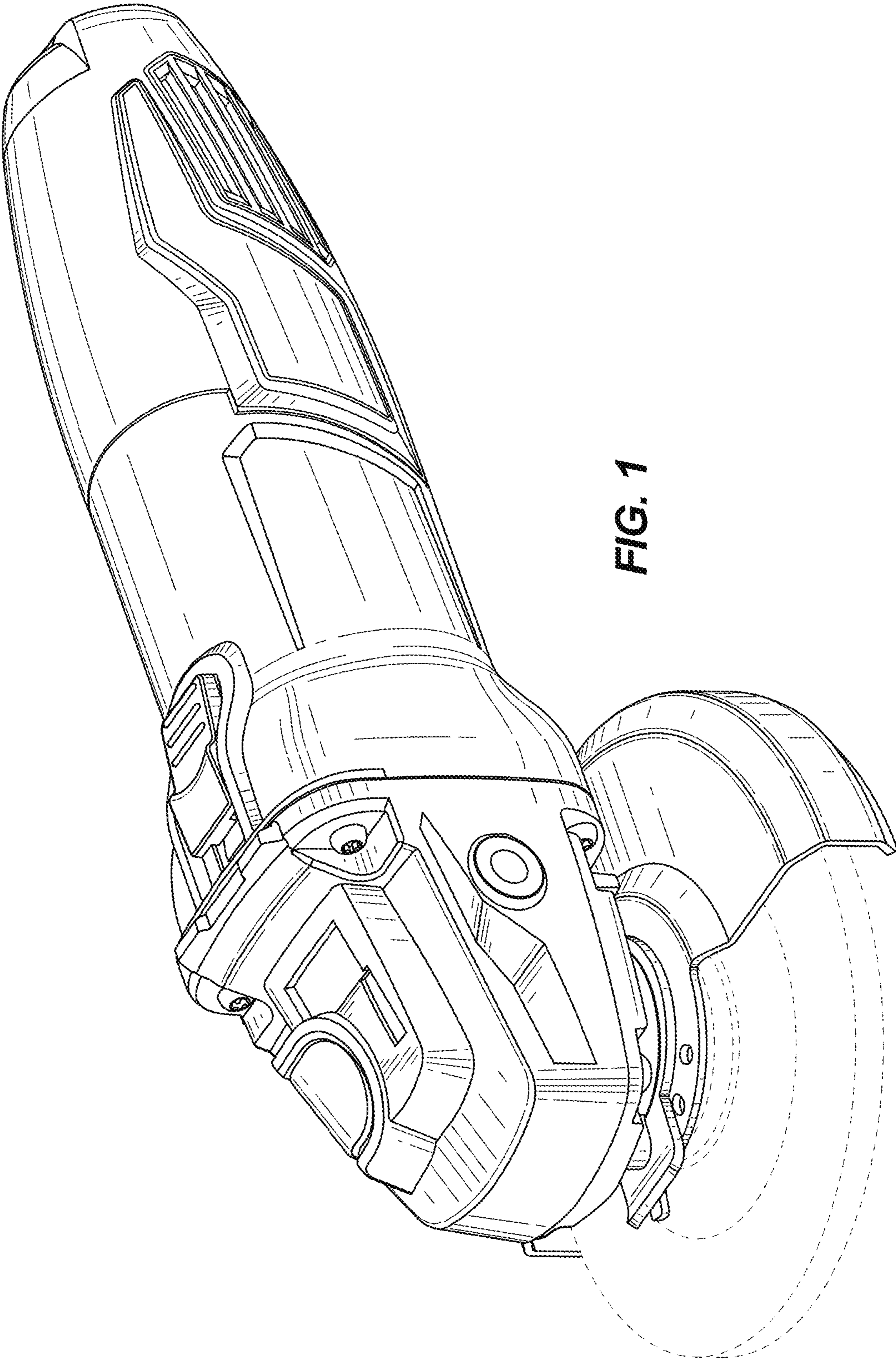


FIG. 1

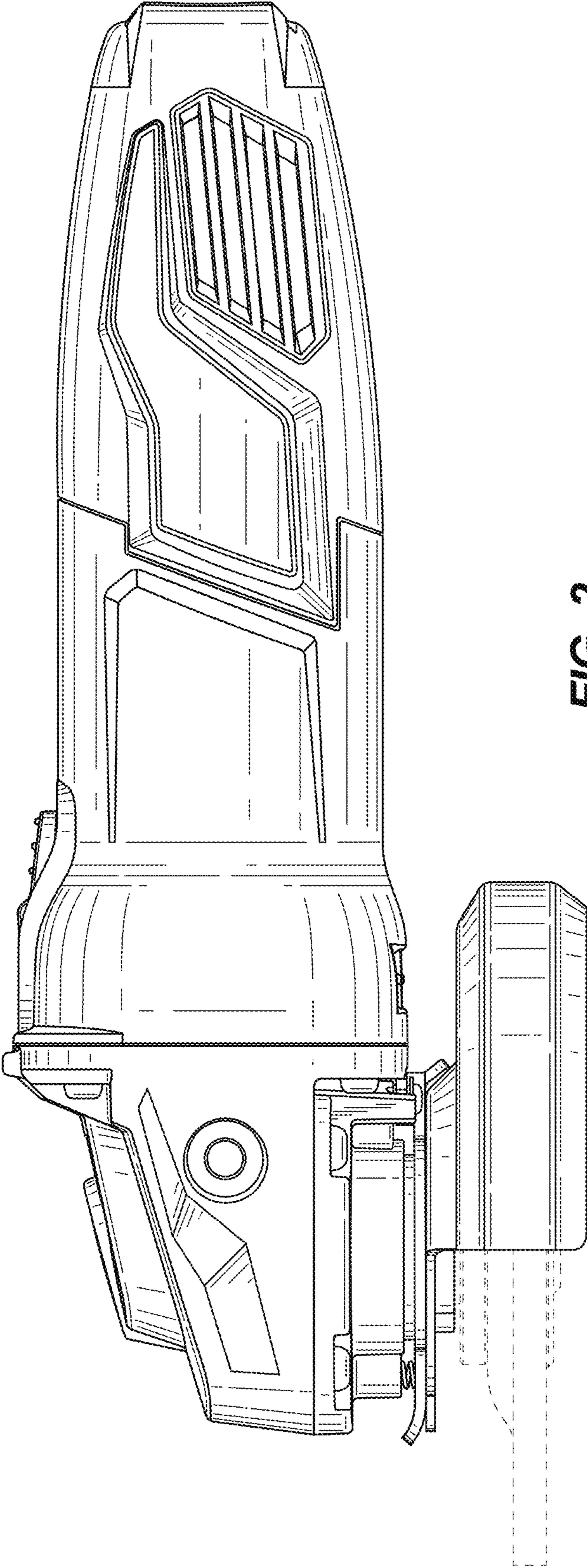


FIG. 2

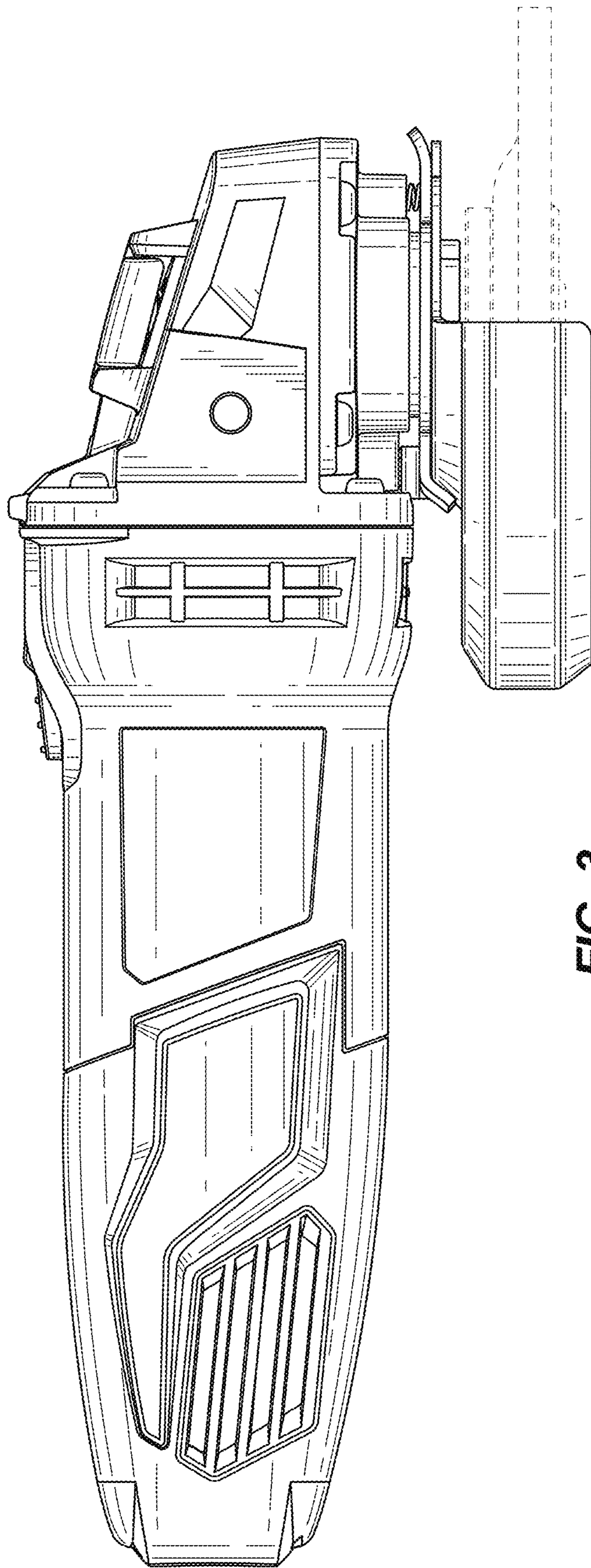


FIG. 3

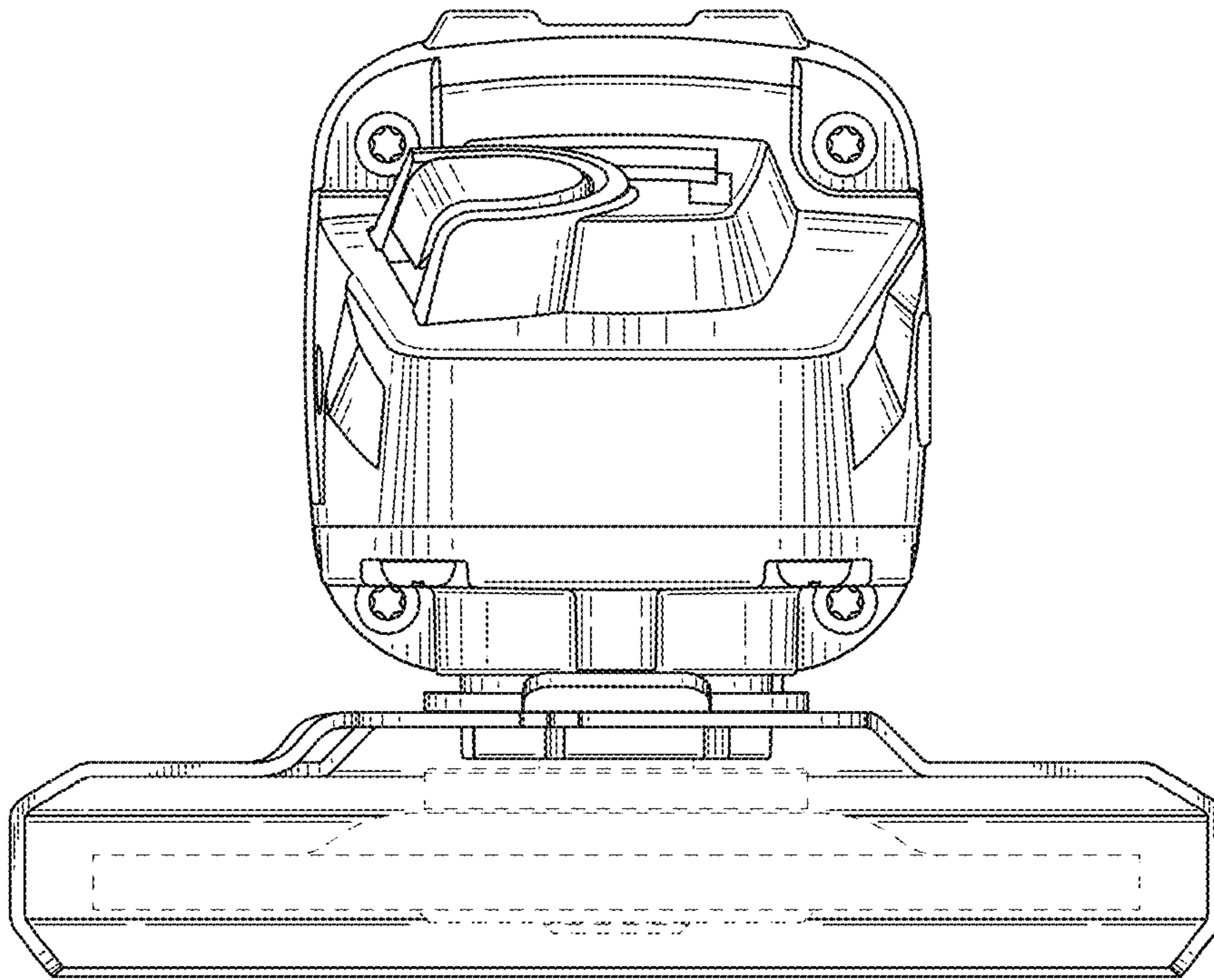


FIG. 4

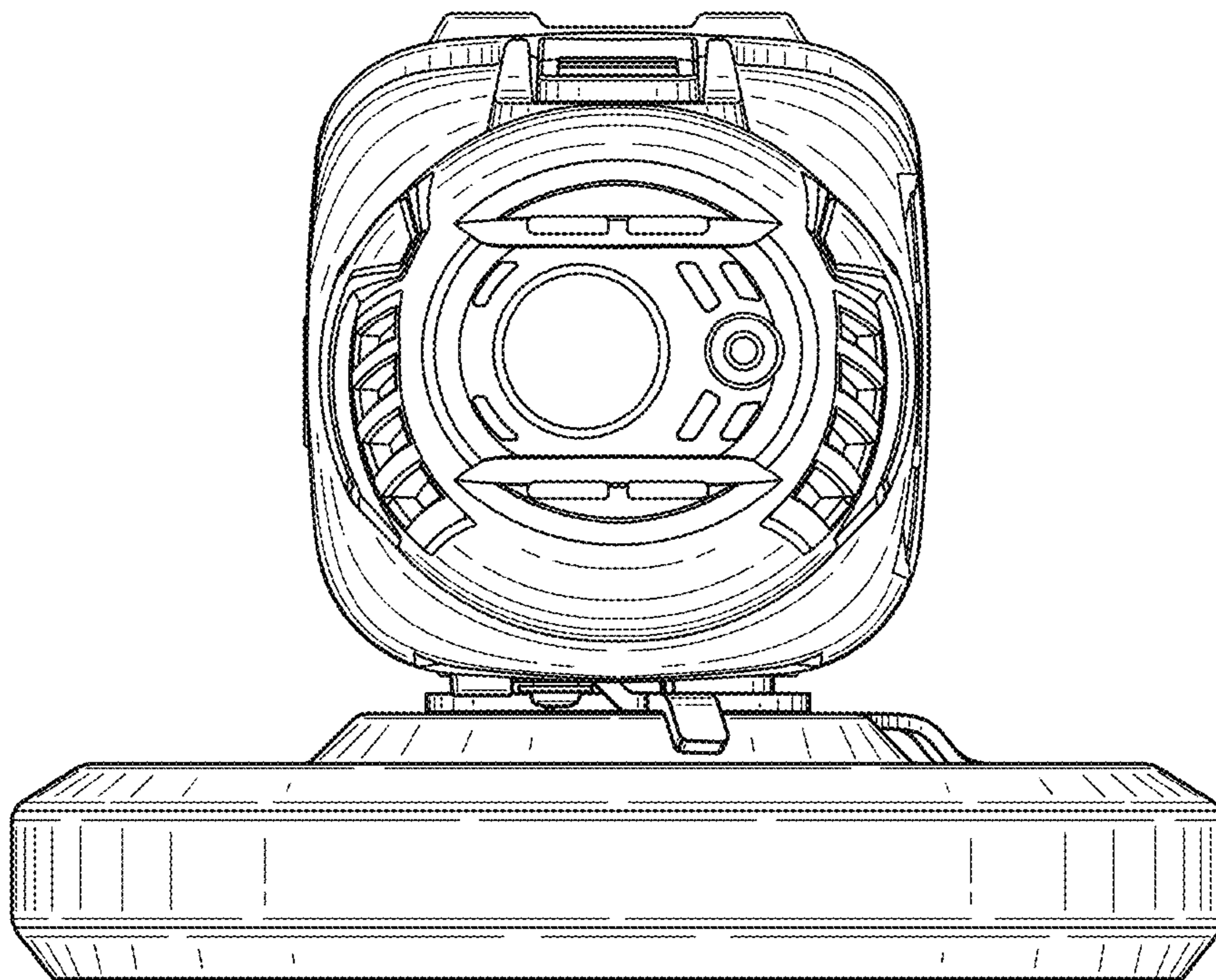


FIG. 5

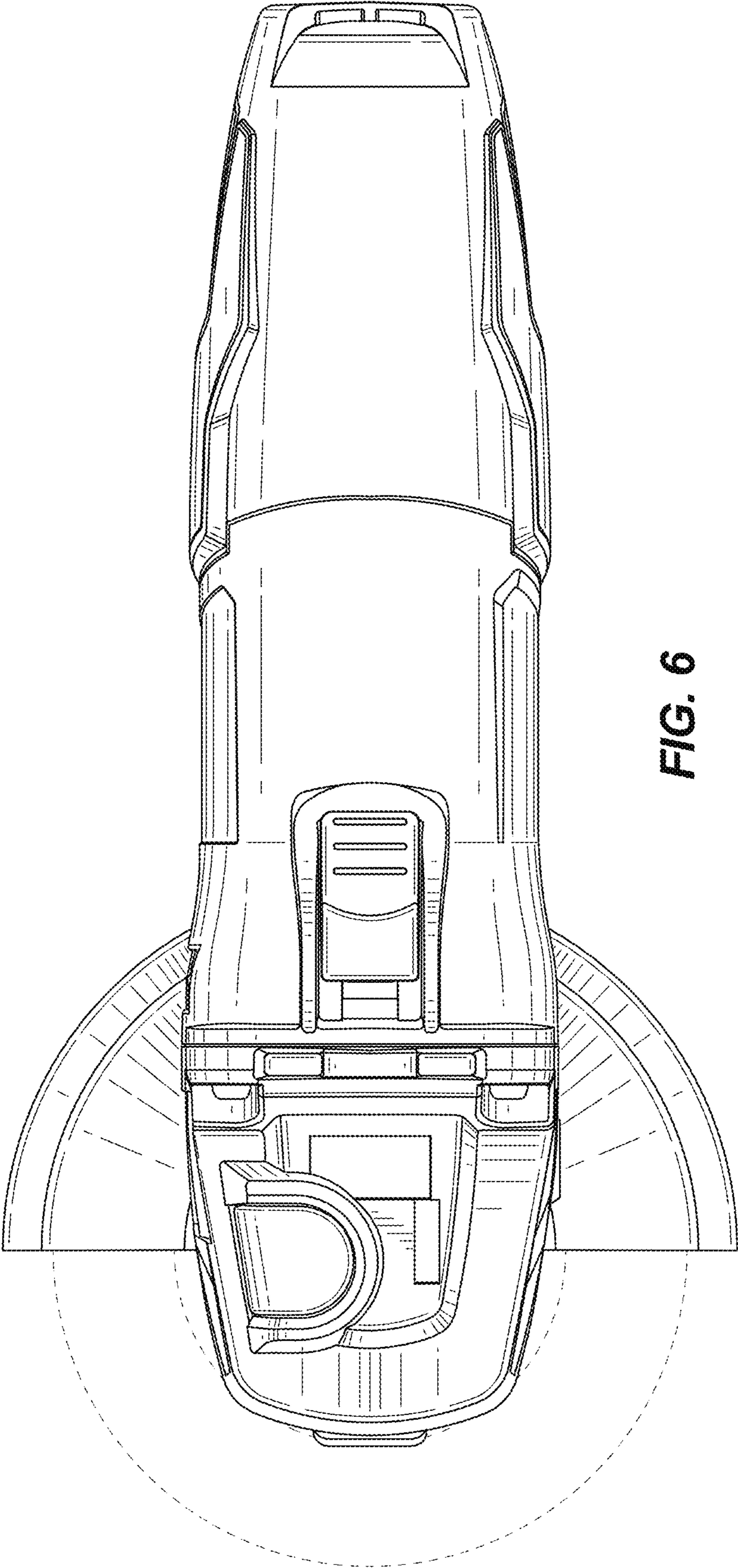


FIG. 6

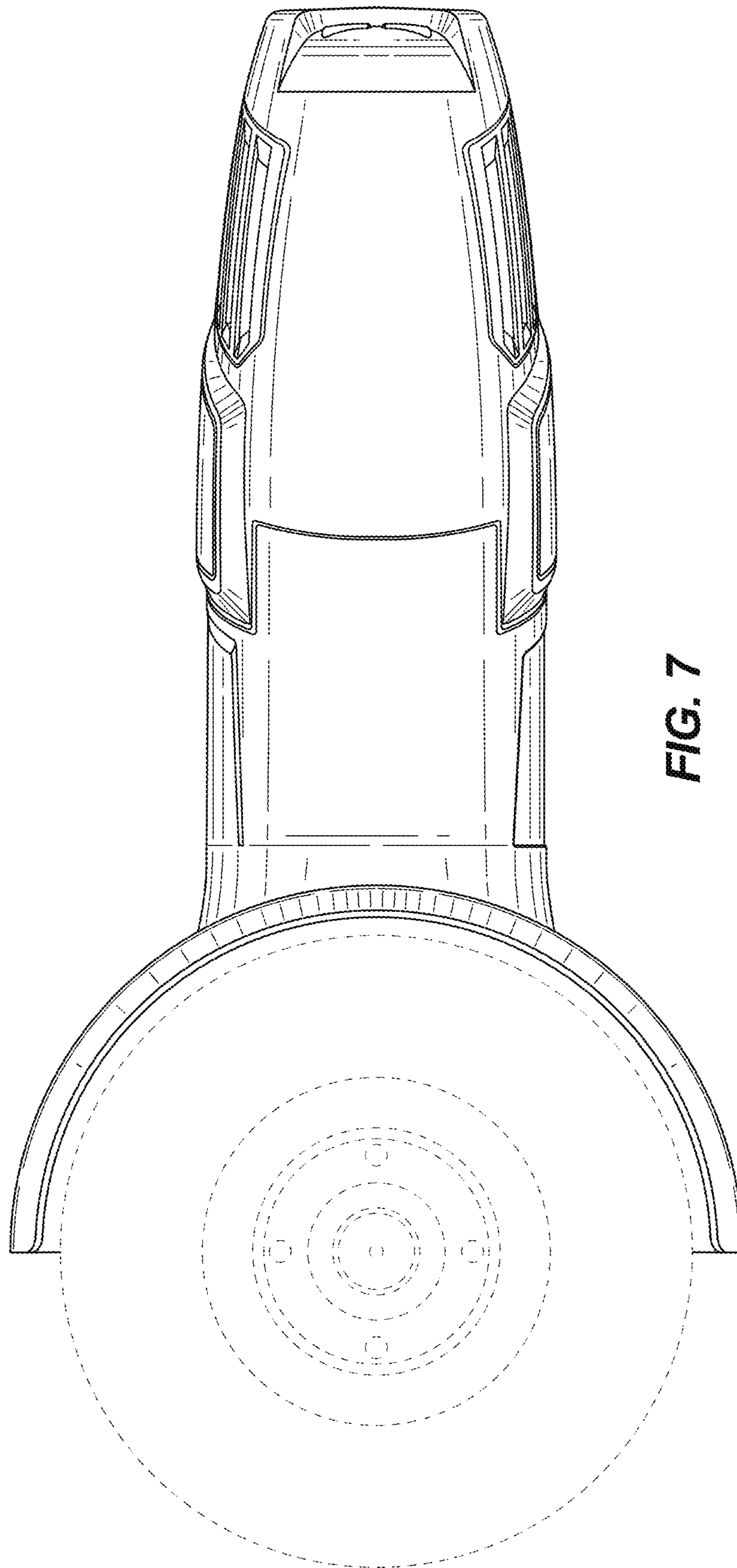


FIG. 7

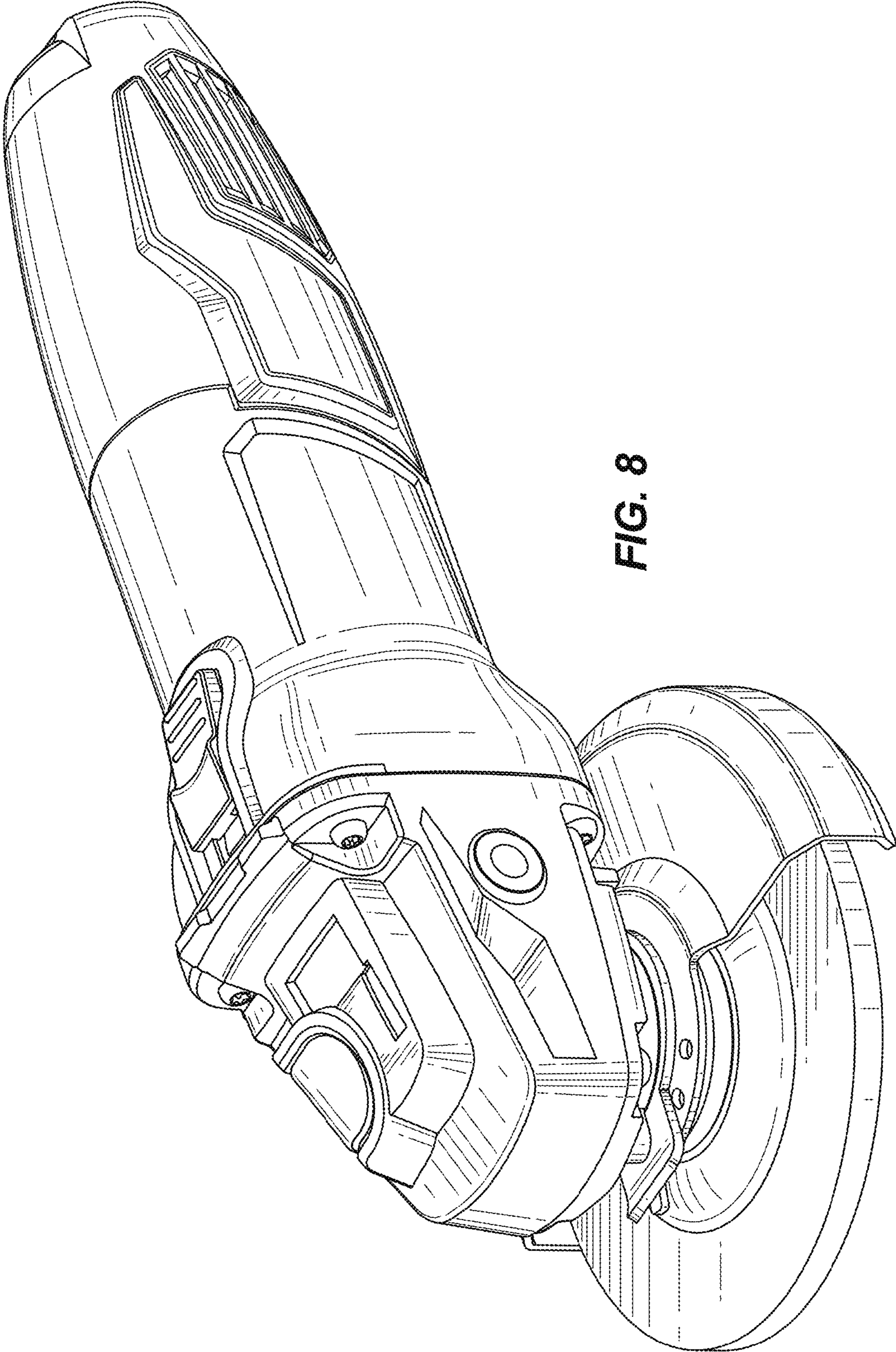


FIG. 8

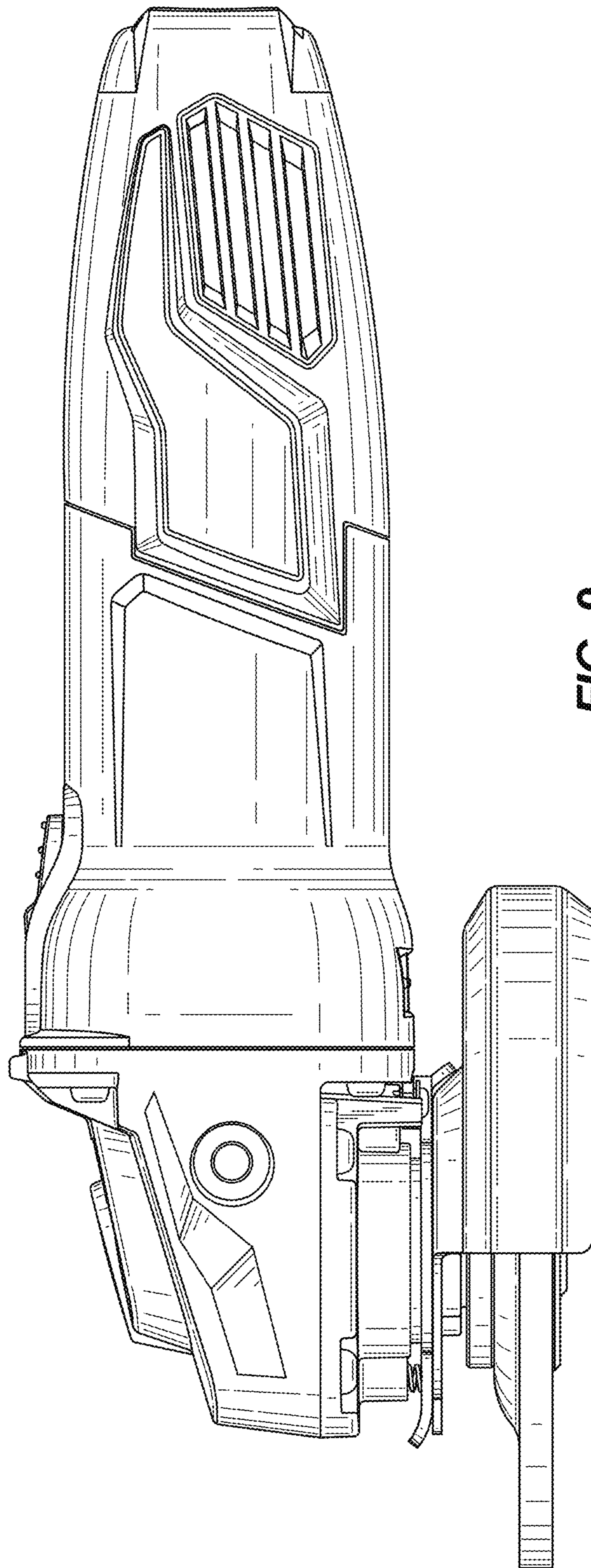


FIG. 9

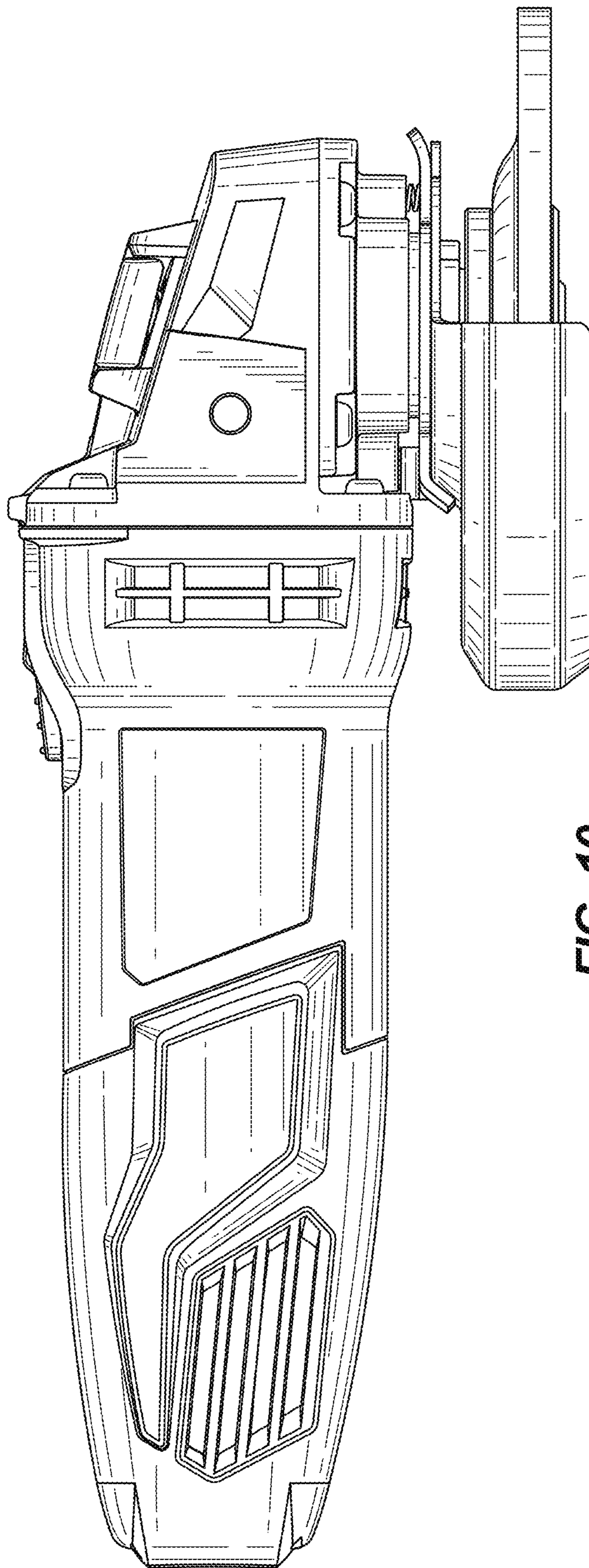


FIG. 10

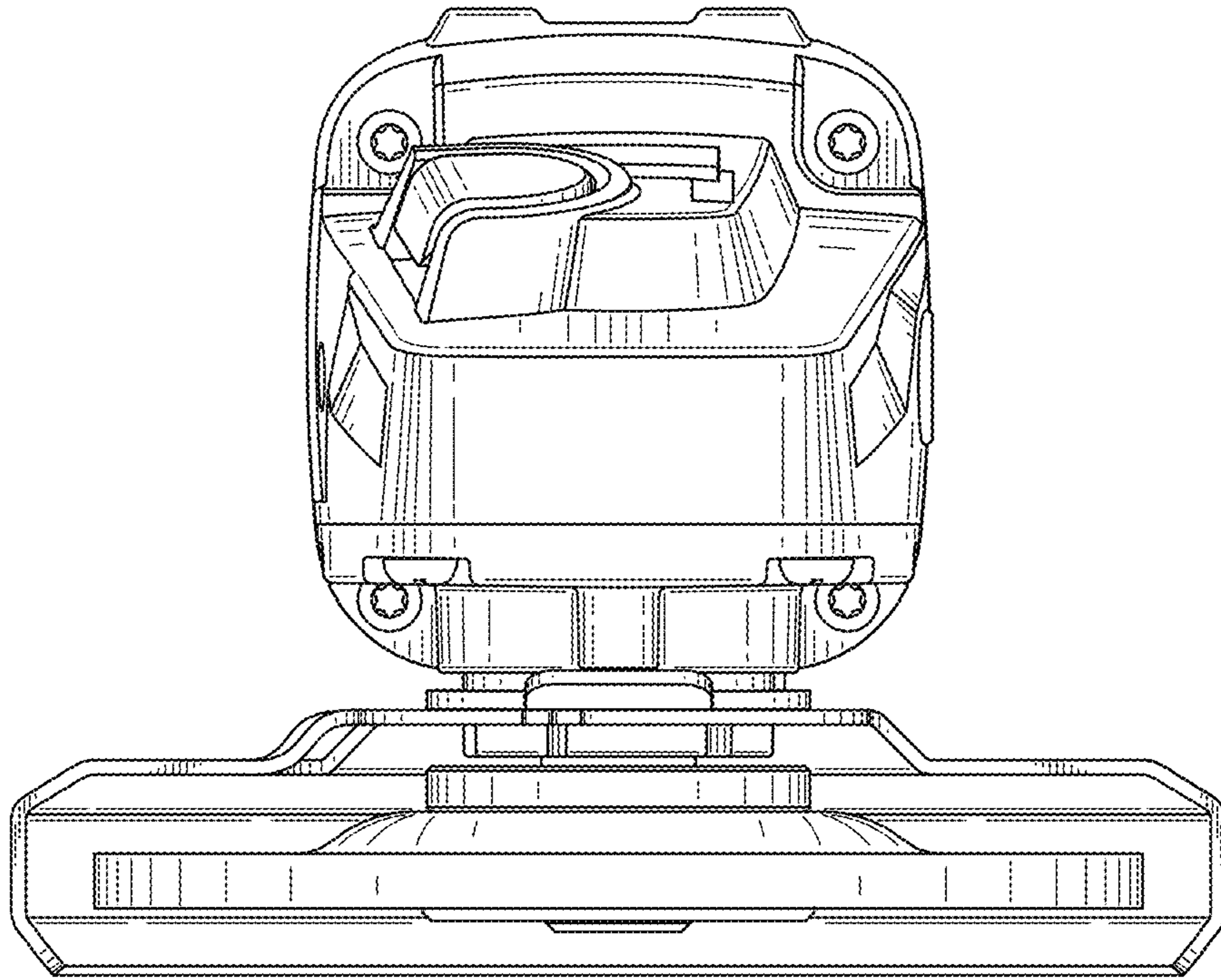


FIG. 11

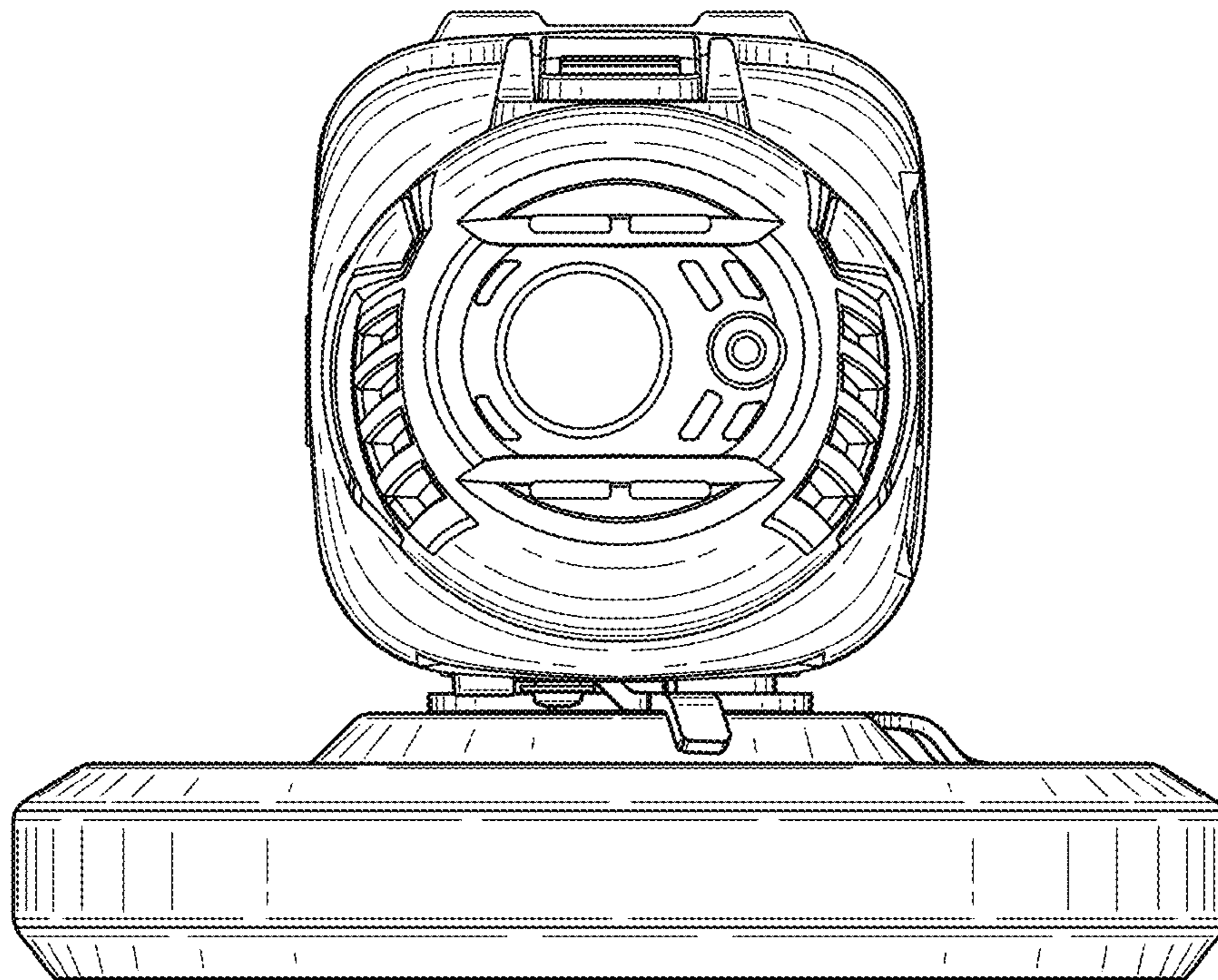


FIG. 12

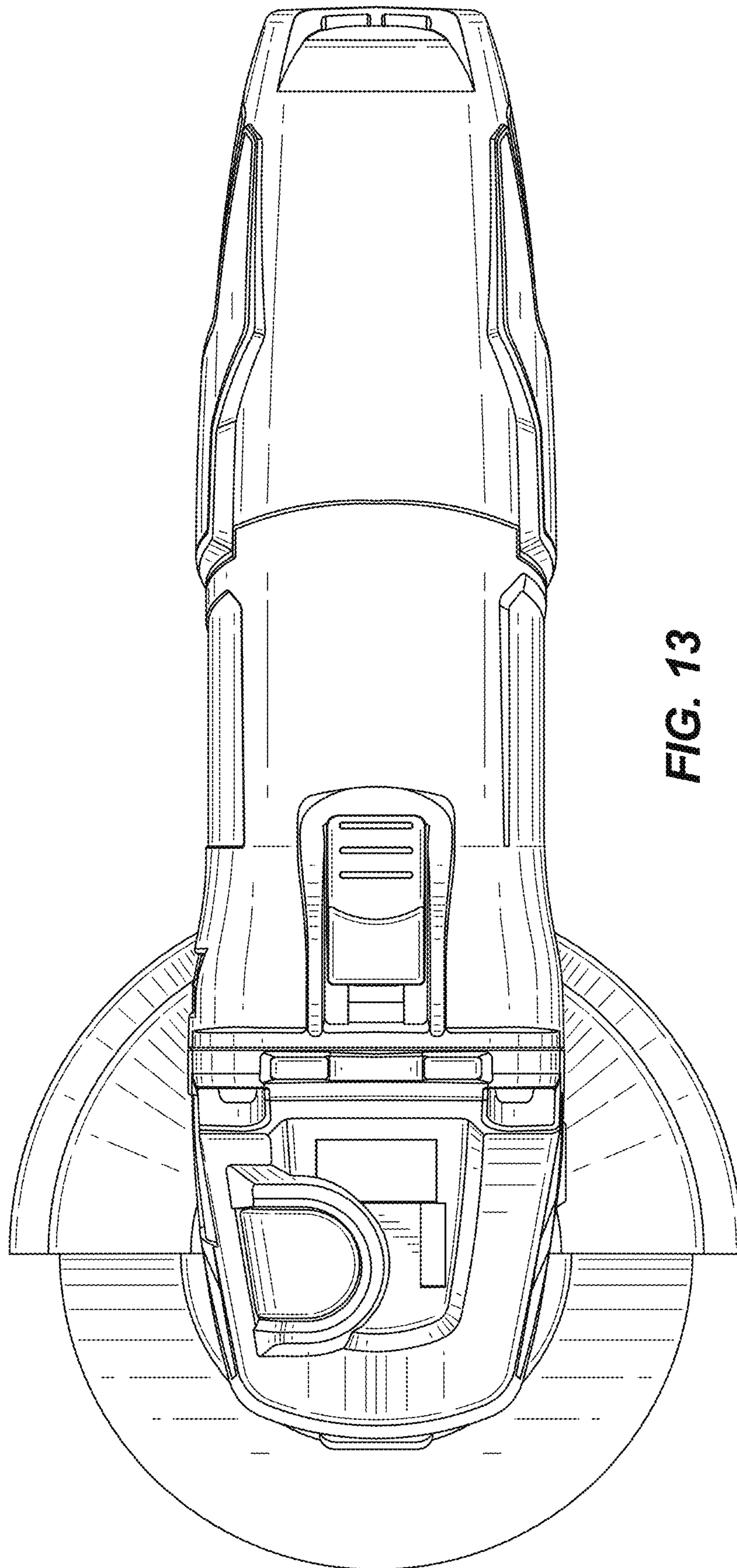


FIG. 13

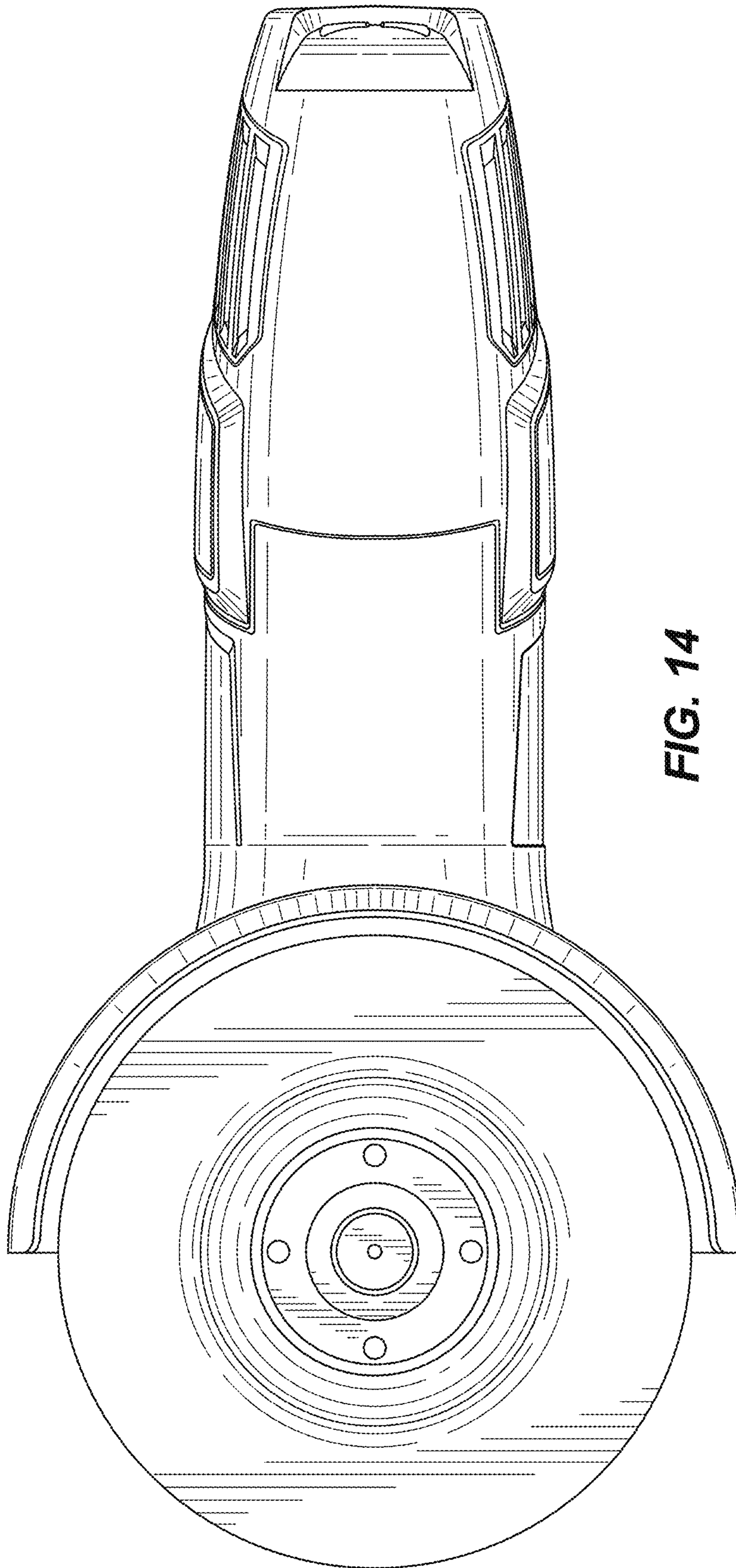


FIG. 14