



US00D767960S

(12) **United States Design Patent**
Haneishi

(10) **Patent No.:** **US D767,960 S**

(45) **Date of Patent:** **** Oct. 4, 2016**

(54) **HYDRAULIC CUTTER**

(71) Applicant: **IZUMI PRODUCTS COMPANY,**
Matsumoto-shi, Nagano (JP)

(72) Inventor: **Isao Haneishi,** Matsumoto (JP)

(73) Assignee: **IZUMI PRODUCTS COMPANY,**
Nagano (JP)

(**) Term: **15 Years**

(21) Appl. No.: **29/545,429**

(22) Filed: **Nov. 12, 2015**

(30) **Foreign Application Priority Data**

May 18, 2015 (JP) 2015-10802

(51) **LOC (10) Cl.** **08-01**

(52) **U.S. Cl.**
USPC **D8/61**

(58) **Field of Classification Search**

USPC D8/61, 62, 67, 69; 81/57, 57.11, 57.14,
81/57.26, 429, 464, 469; 173/2, 170, 176,
173/181

CPC B25B 27/10; B25B 27/146; B25B 7/12;
B25B 7/126; B25B 27/00; B25B 28/00;
H01R 43/0428

See application file for complete search history.

(56) **References Cited**

U.S. PATENT DOCUMENTS

5,272,811 A * 12/1993 Armand A62B 3/005
30/228

5,483,815 A * 1/1996 West B25F 5/006
72/407

D388,300 S * 12/1997 Jeltsch D8/61

D404,627 S * 1/1999 Hirabayashi D8/68

D516,399 S * 3/2006 Oide D8/68
D593,828 S * 6/2009 Pond D8/61
D639,628 S * 6/2011 Zhou D8/61

(Continued)

Primary Examiner — Austin Murphy

(74) *Attorney, Agent, or Firm* — Birch, Stewart, Kolasch
& Birch, LLP

(57) **CLAIM**

The ornamental design for a hydraulic cutter, as shown and described.

DESCRIPTION

FIG. 1 is a front elevational view of a hydraulic cutter showing my new design;

FIG. 2 is a top plan view thereof;

FIG. 3 is a rear elevational view thereof;

FIG. 4 is a bottom plane thereof;

FIG. 5 is a left side elevational view thereof;

FIG. 6 is a right side elevational view thereof;

FIG. 7 is a left side, top perspective view thereof;

FIG. 8 is a left side, bottom perspective view thereof;

FIG. 9 is a right side, top perspective view thereof;

FIG. 10 is a right side, bottom perspective view thereof;

FIG. 11 is a front elevational view thereof with the cutting blades in a closed position;

FIG. 12 is a top plan view of FIG. 11;

FIG. 13 is a rear elevational view of FIG. 11;

FIG. 14 is a bottom plan view of FIG. 11;

FIG. 15 is a left side elevational view of FIG. 11;

FIG. 16 is a right side elevational view of FIG. 11;

FIG. 17 is a left side, top perspective view of FIG. 11;

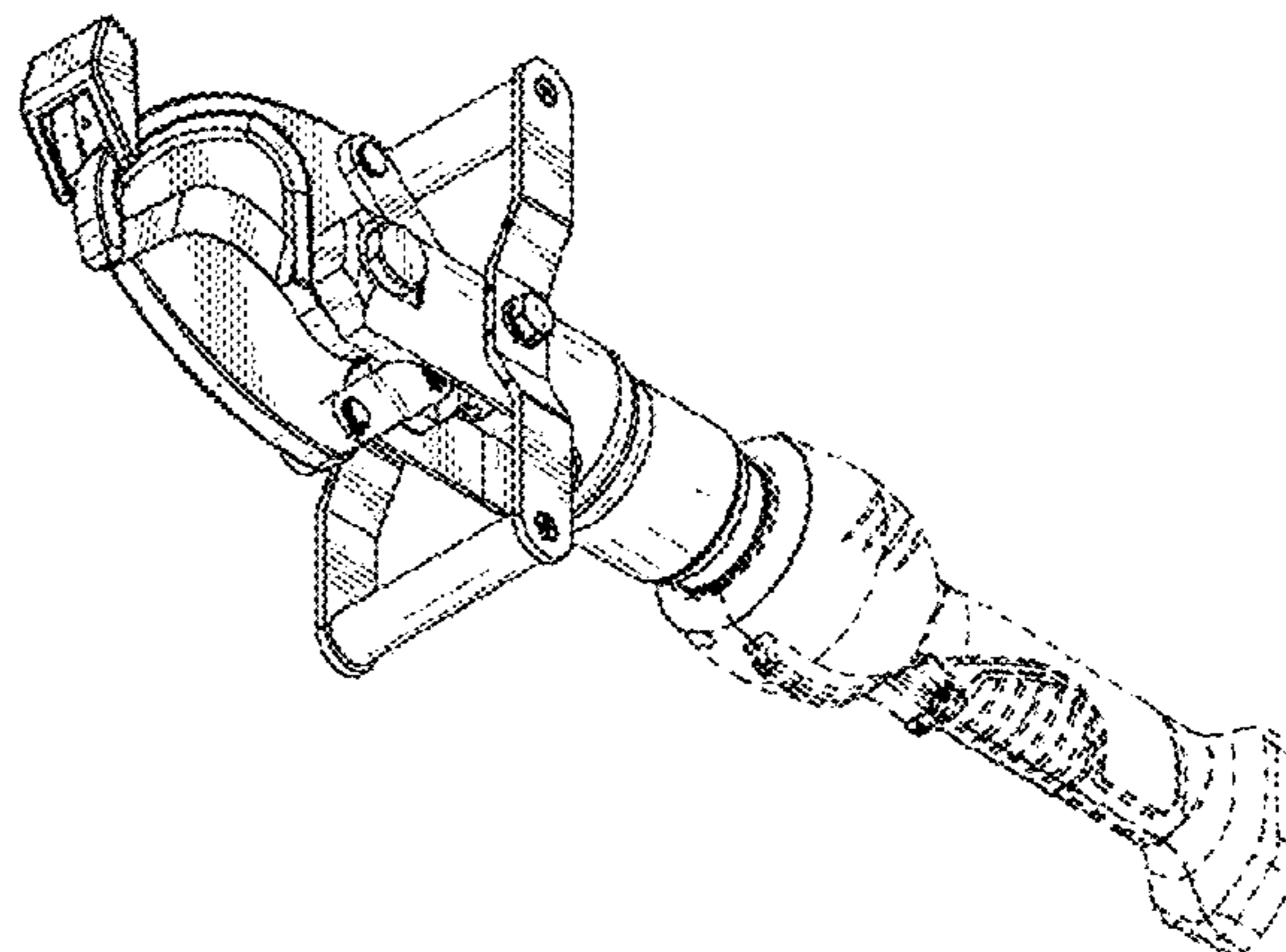
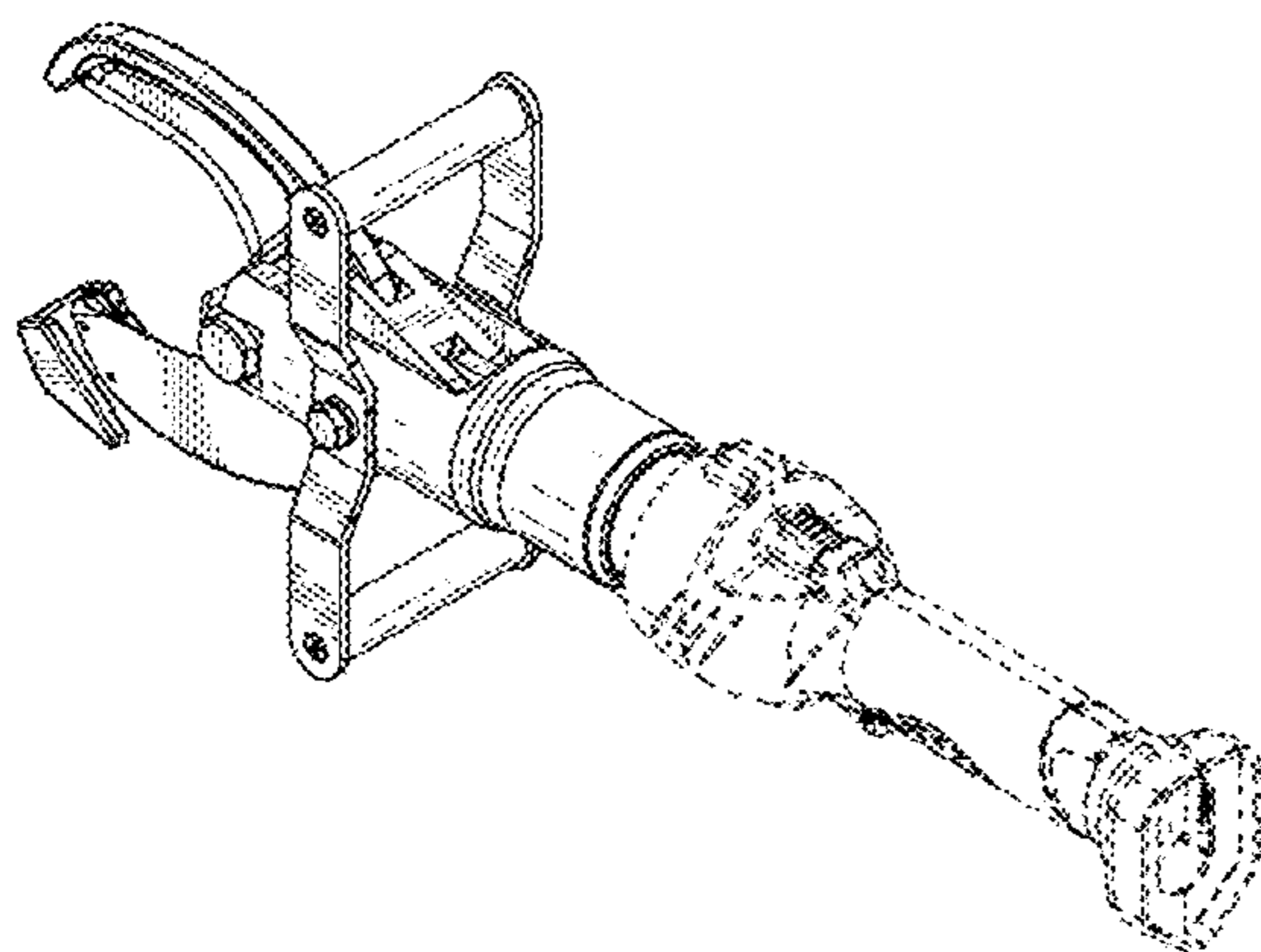
FIG. 18 is a left side, bottom perspective view of FIG. 11;

FIG. 19 is a right side, top perspective view of FIG. 11; and,

FIG. 20 is a right side, bottom perspective view of FIG. 11.

The portions shown in broken lines are for the purpose of showing environmental structure only and form no part of the claimed design.

1 Claim, 10 Drawing Sheets



(56)

References Cited

U.S. PATENT DOCUMENTS

8,122,797	B2 *	2/2012	Bruurs	B23D 17/00	D673,829	S *	1/2013	Takeshima	D8/61
					30/223	D696,090	S *	12/2013	Takeshima	D8/61
D657,220	S *	4/2012	Isobe	D8/61	D709,748	S *	7/2014	Frenken	D8/61
D657,221	S *	4/2012	Isobe	D8/61	D710,173	S *	8/2014	Frenken	D8/61
D668,922	S *	10/2012	Hyma	D8/61	D716,124	S *	10/2014	Kamijyo	D8/61
						D729,602	S *	5/2015	Stucki	D8/61
						D734,112	S *	7/2015	Herault	D8/61

* cited by examiner

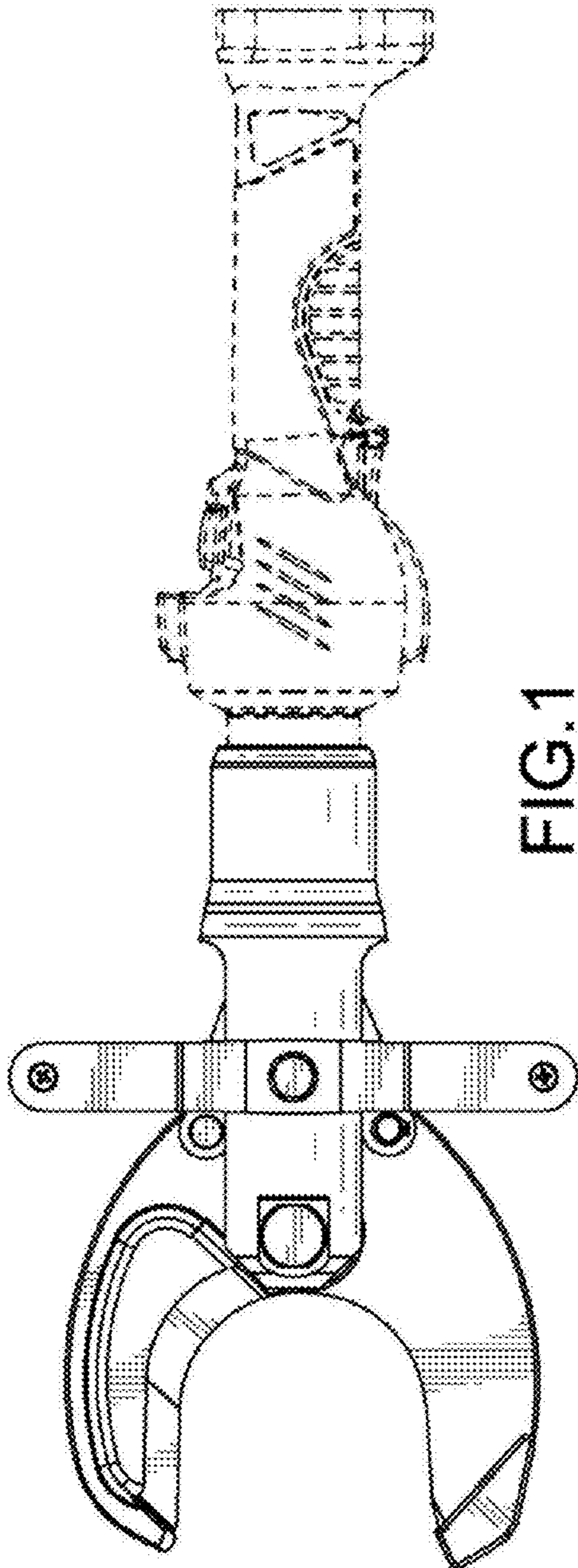


FIG. 1

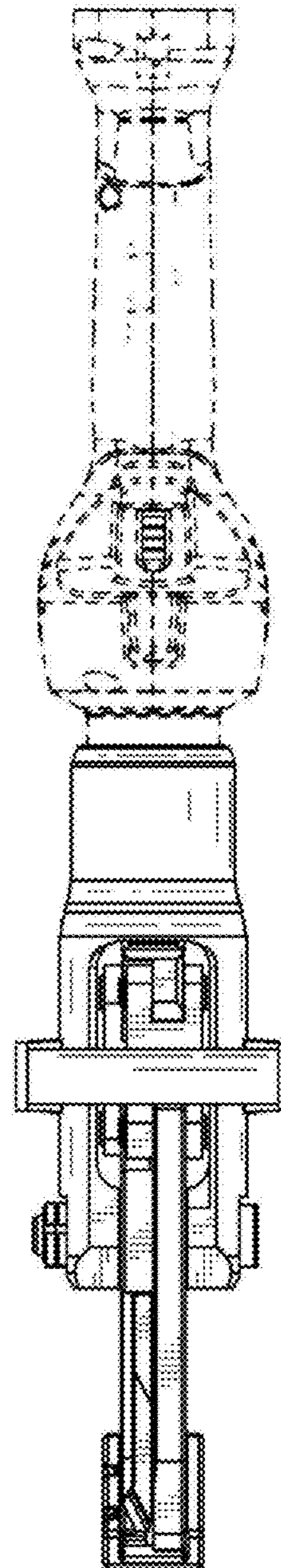
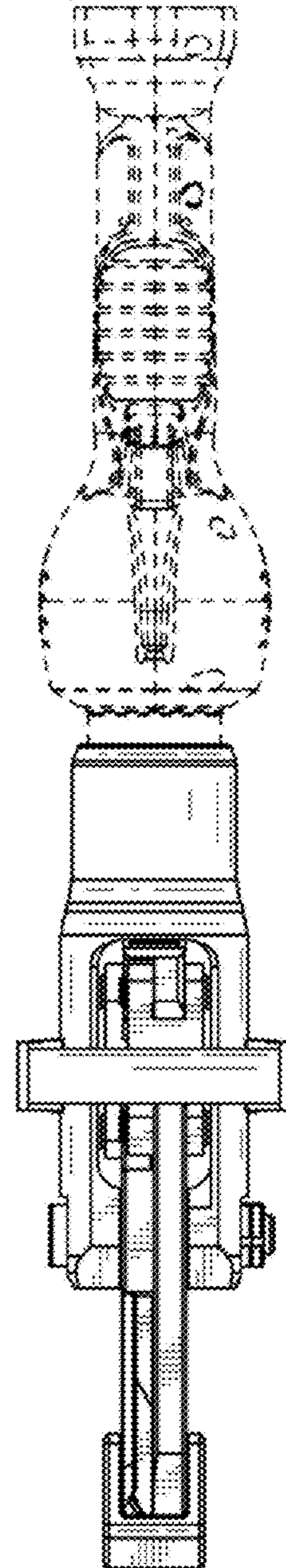
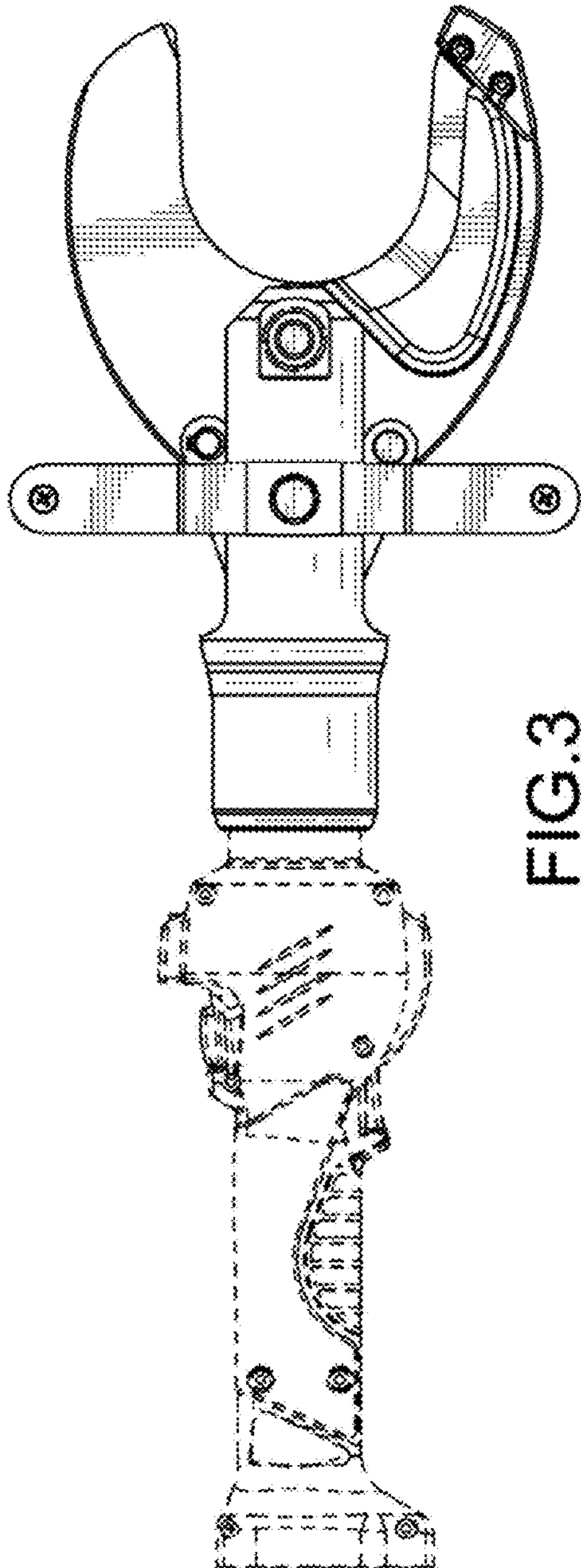


FIG. 2



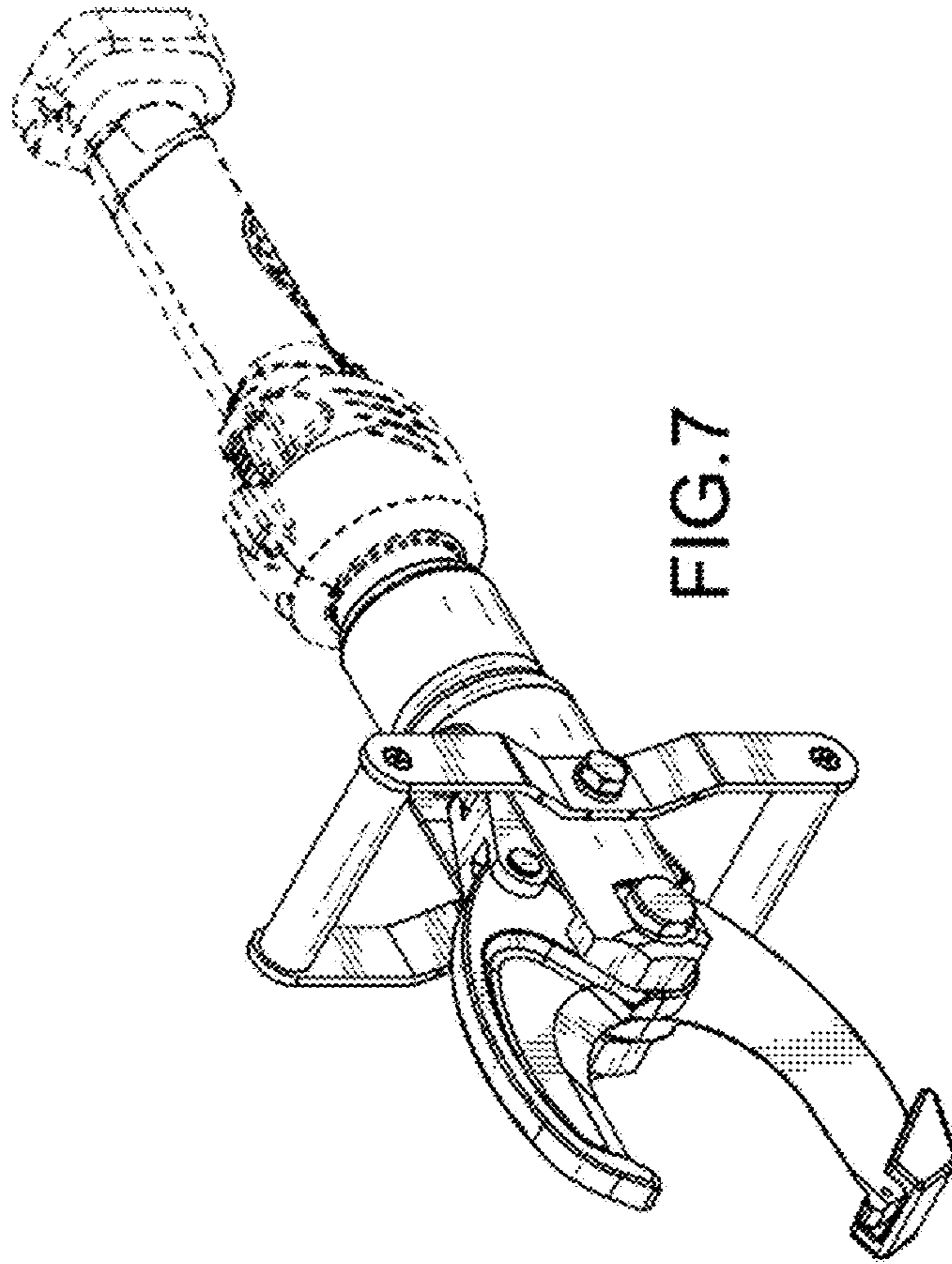


FIG. 7

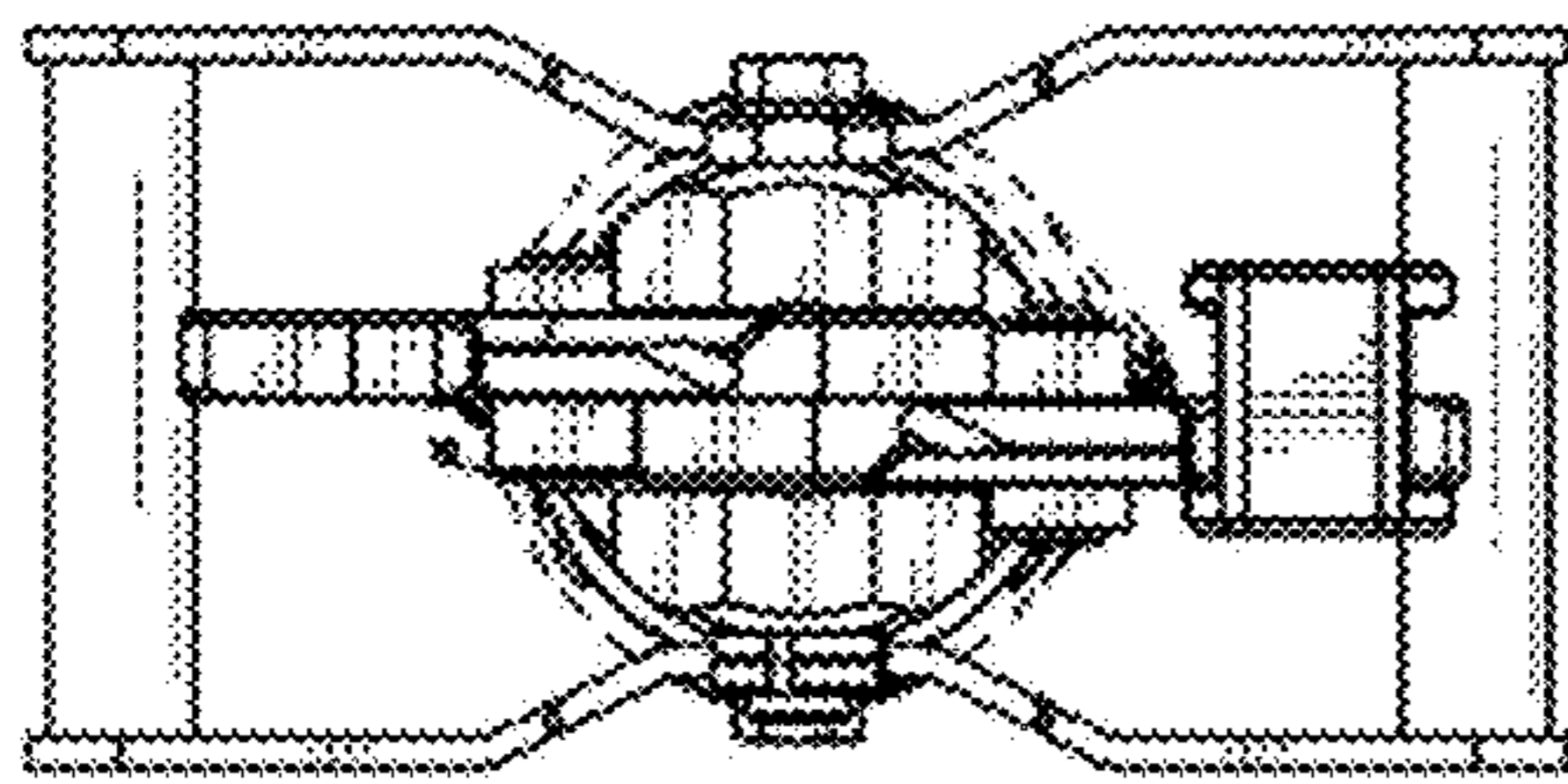


FIG. 5

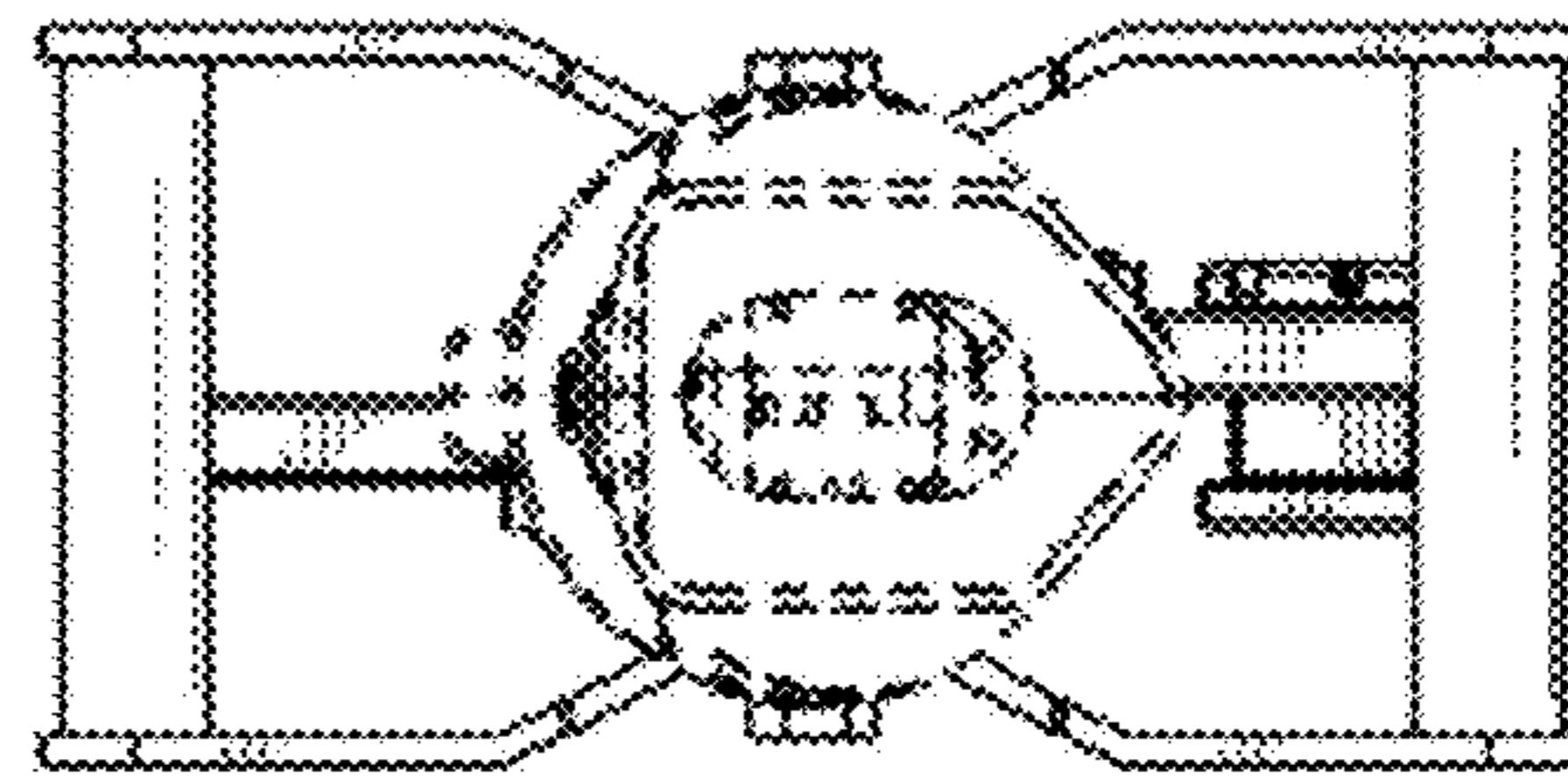


FIG. 6

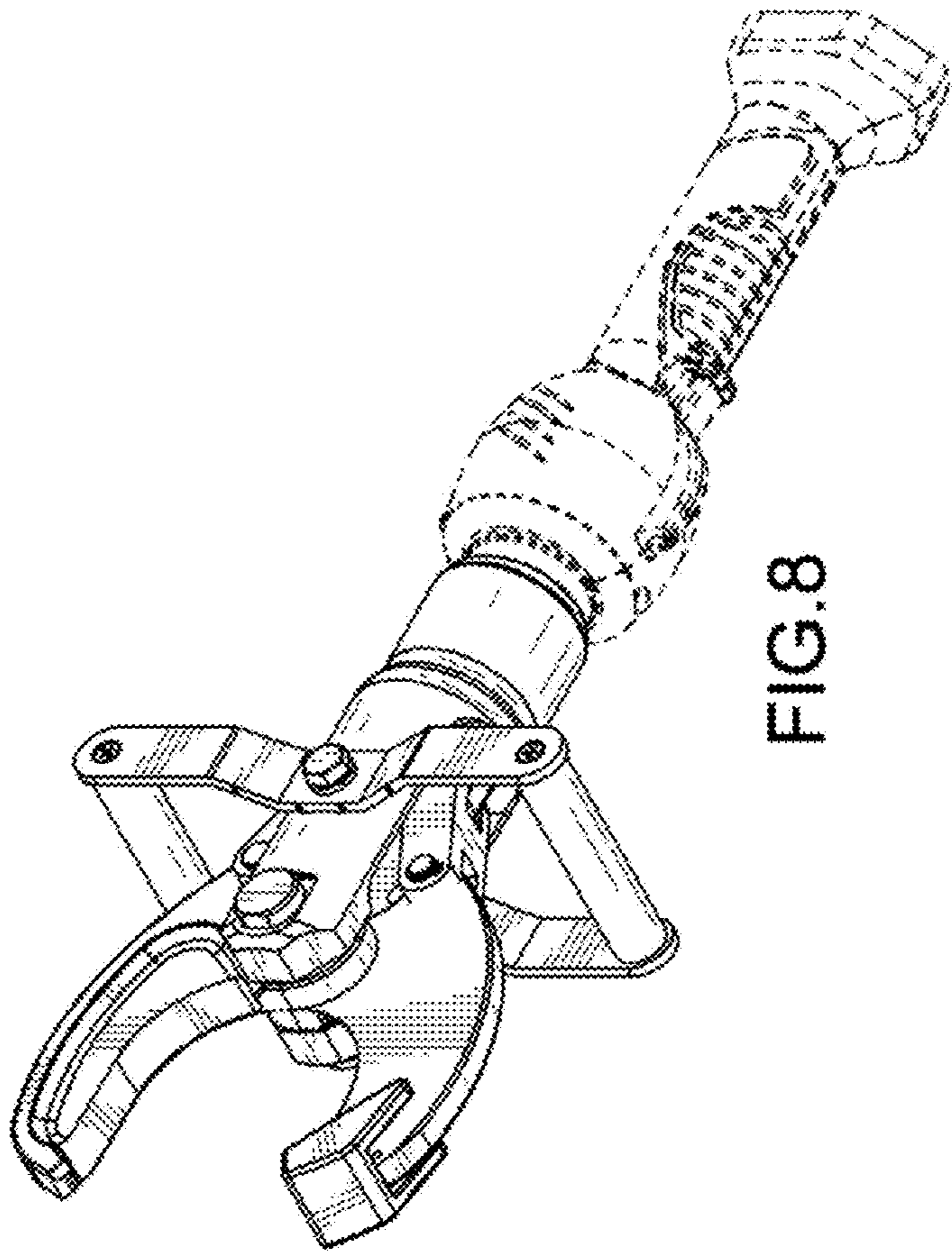


FIG. 8

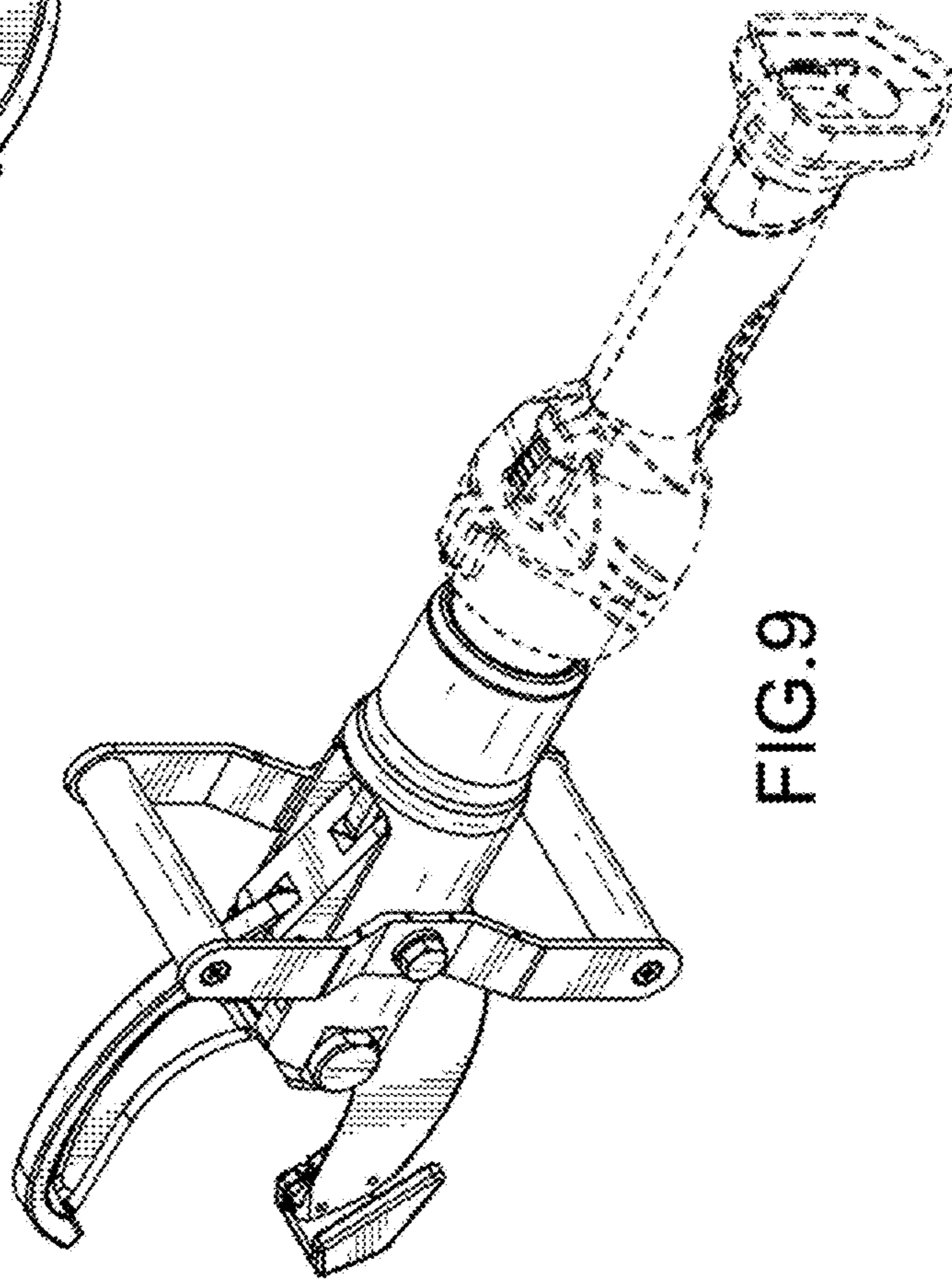


FIG. 9

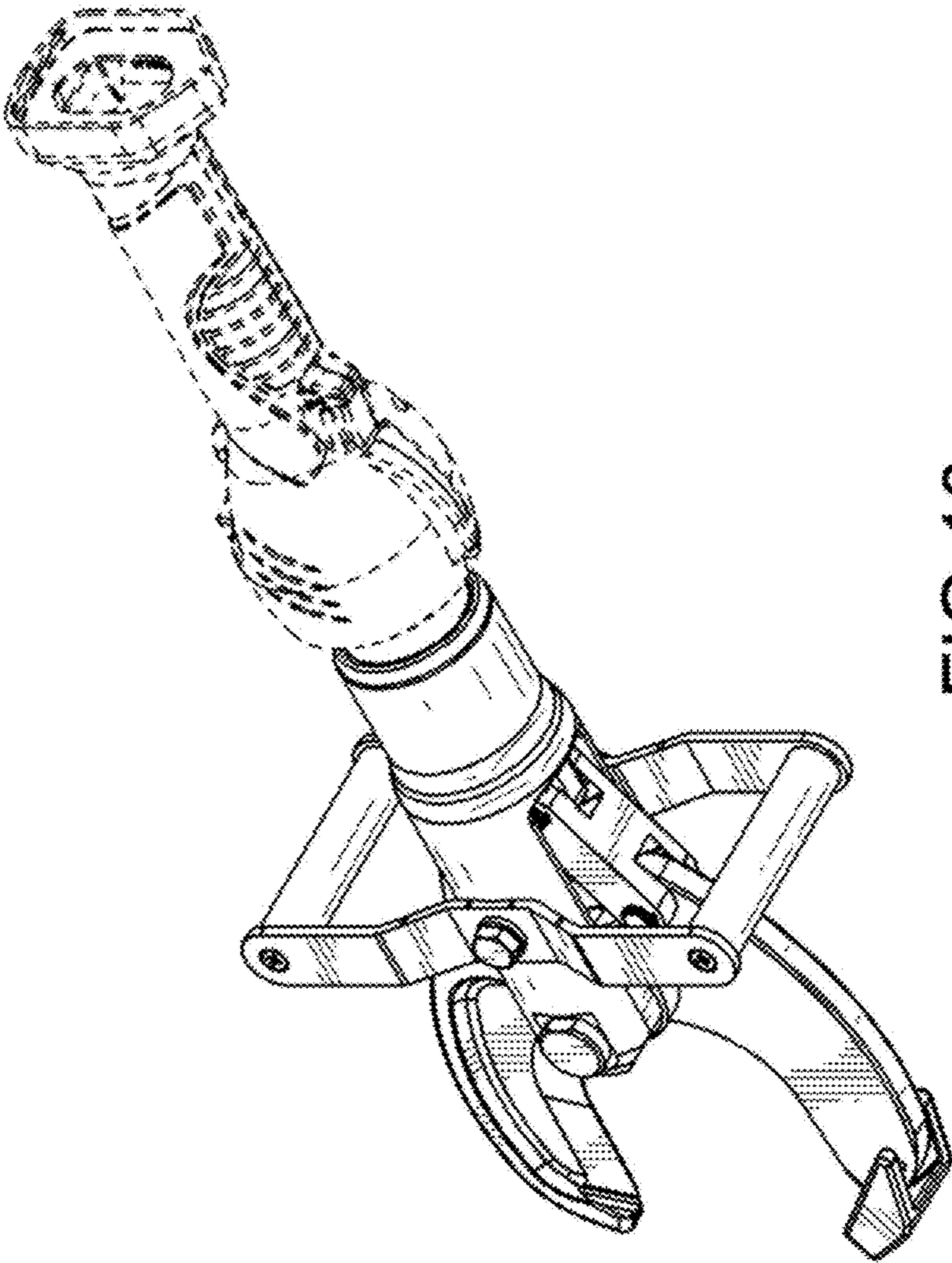


FIG.10

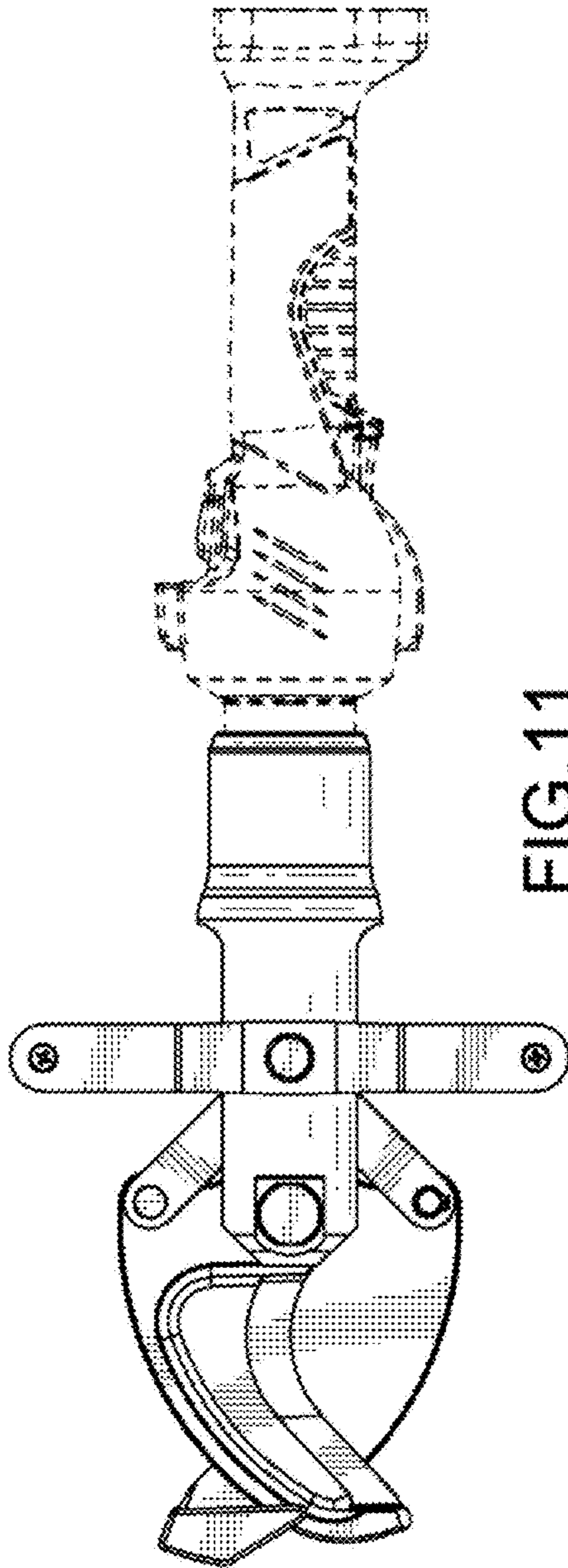


FIG. 11

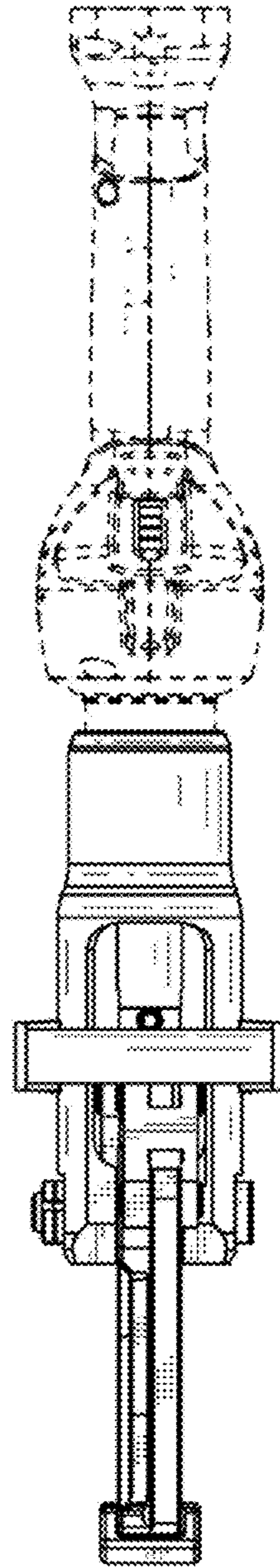


FIG. 12

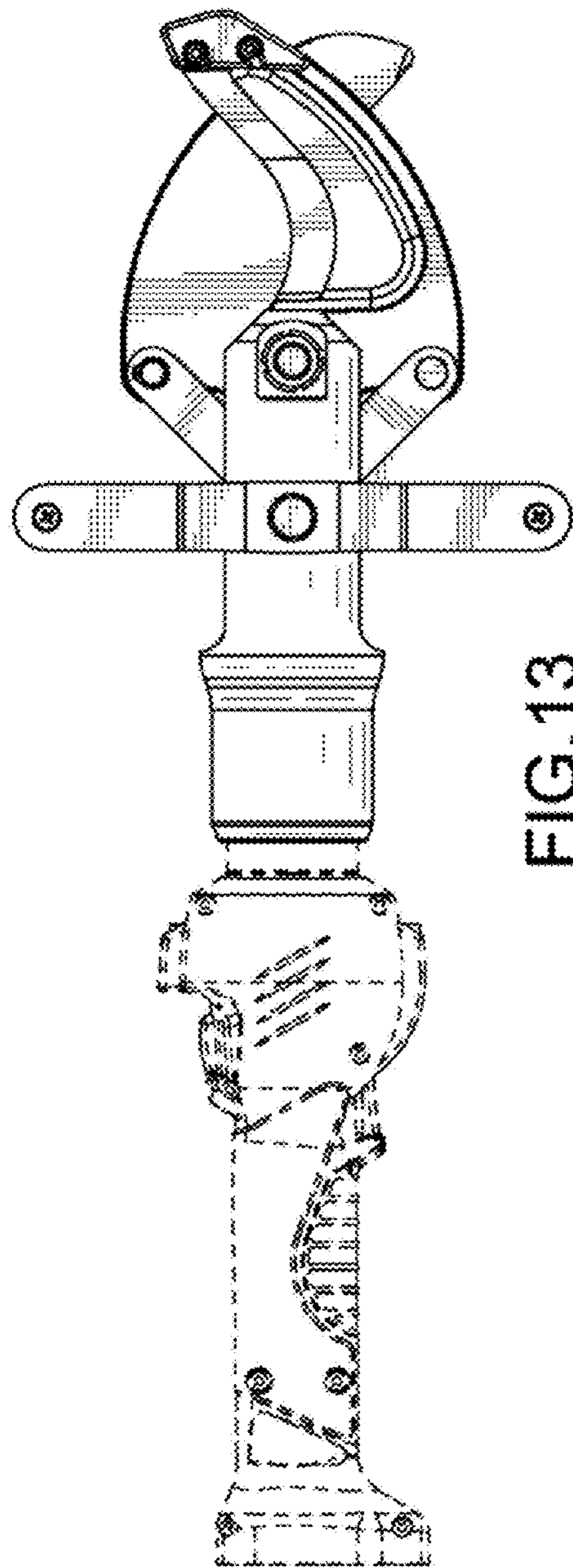


FIG. 13

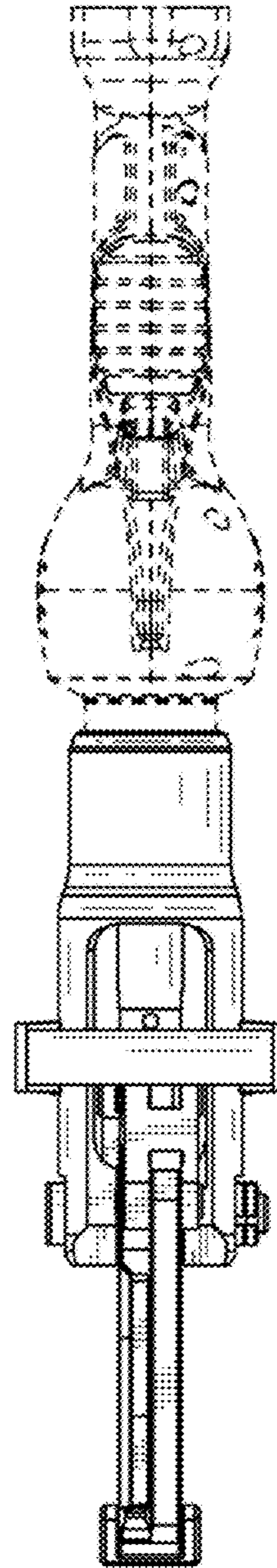


FIG. 14

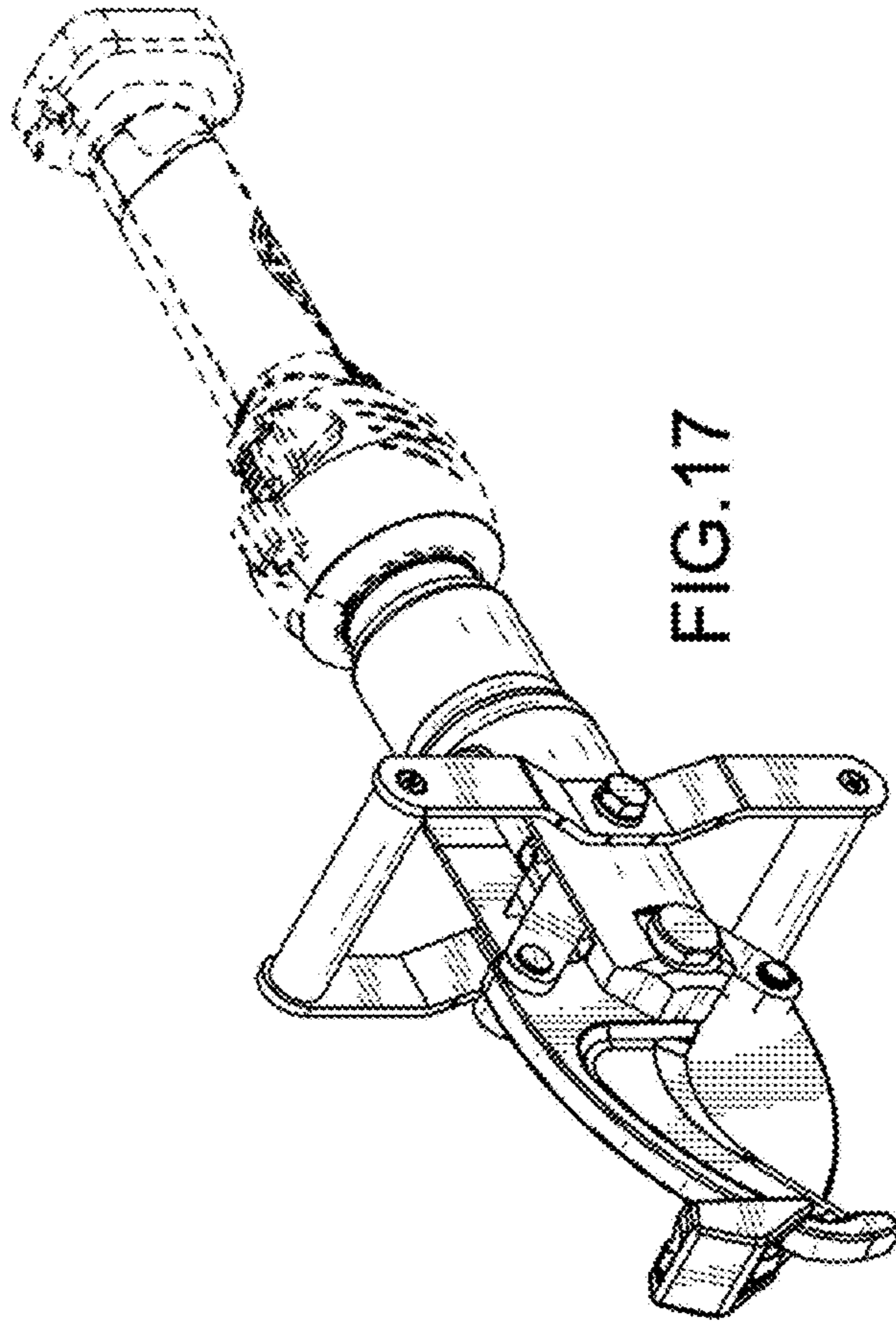


FIG.17

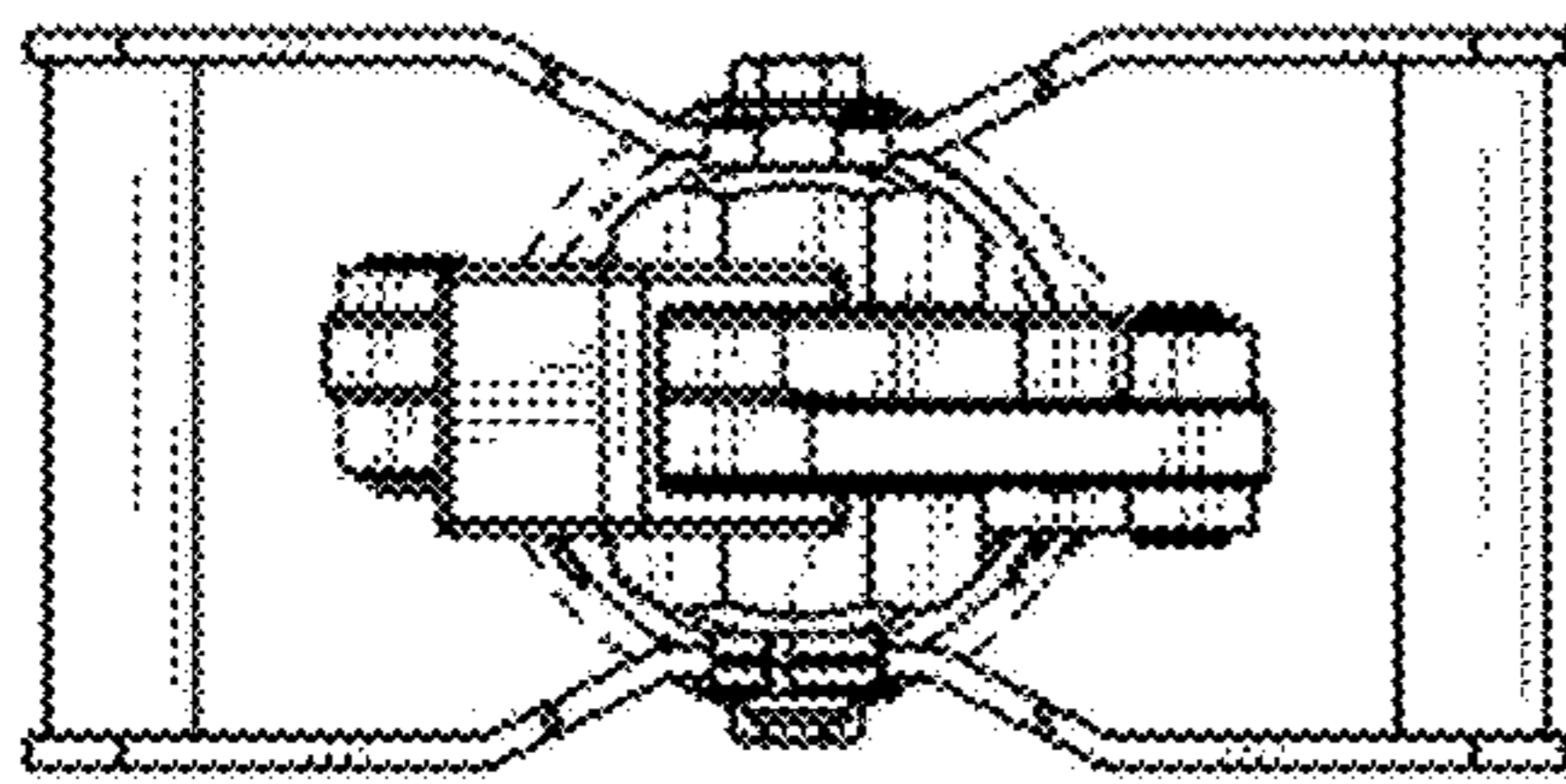


FIG.15

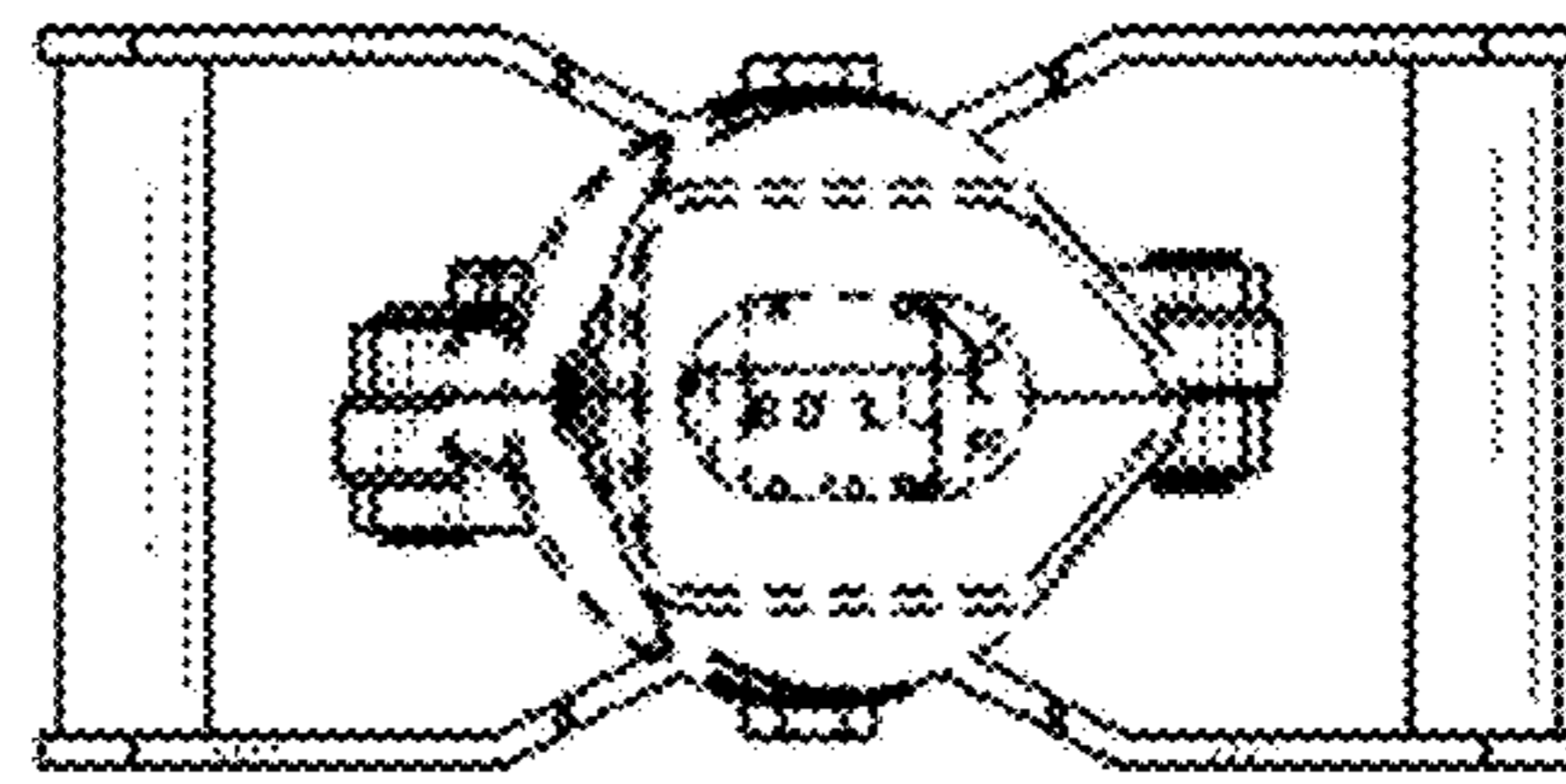


FIG.16

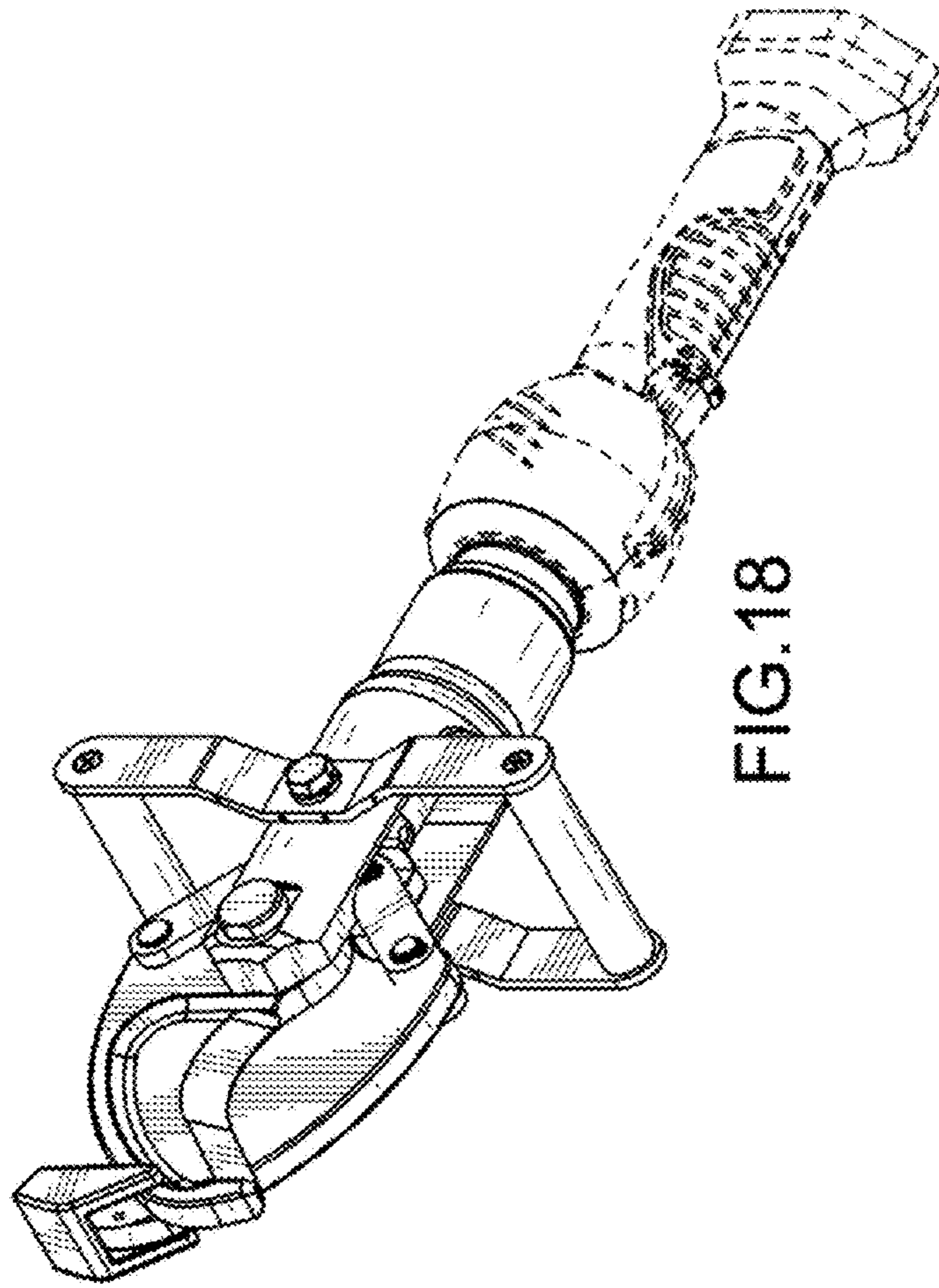


FIG. 18

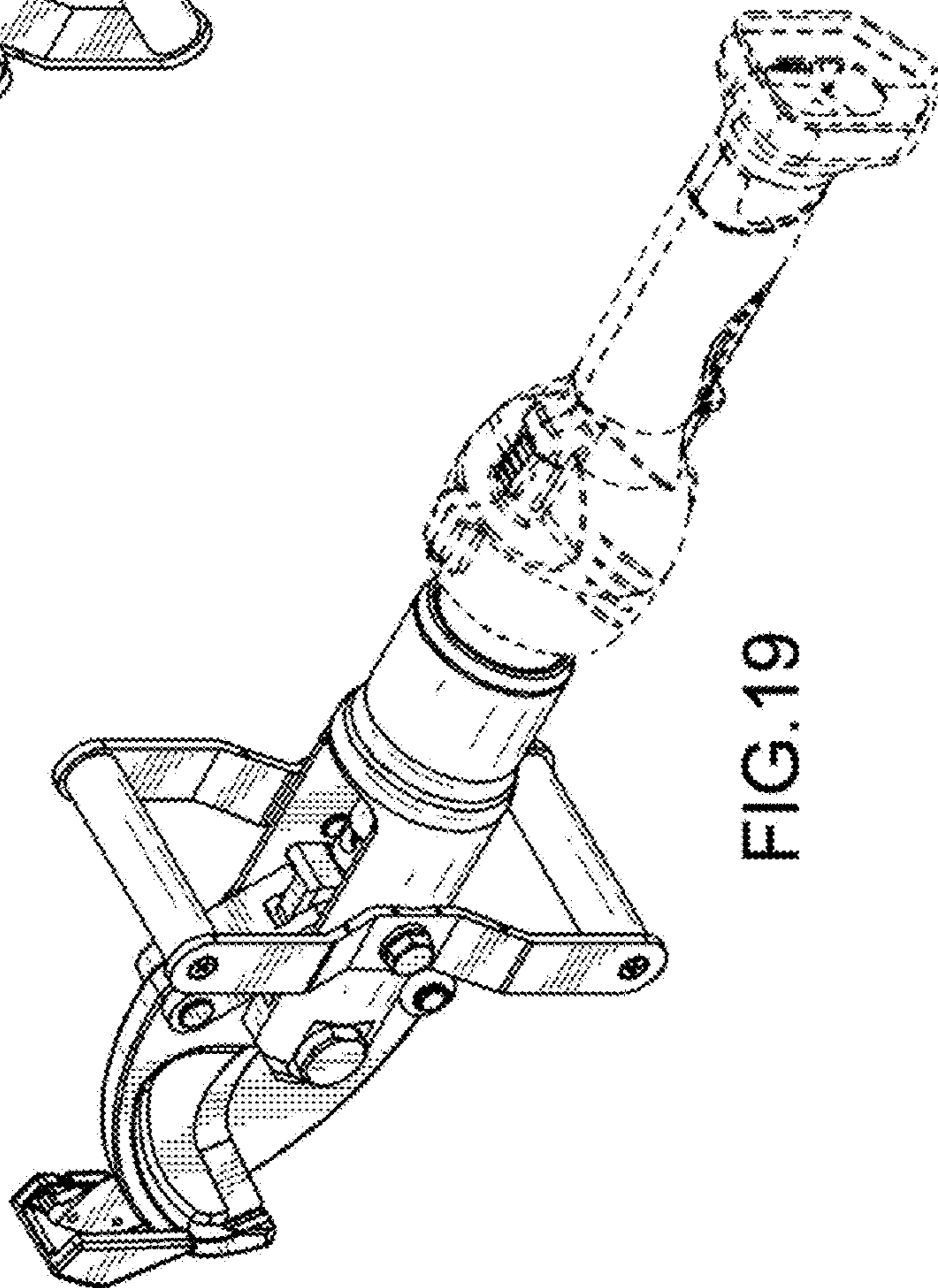


FIG. 19

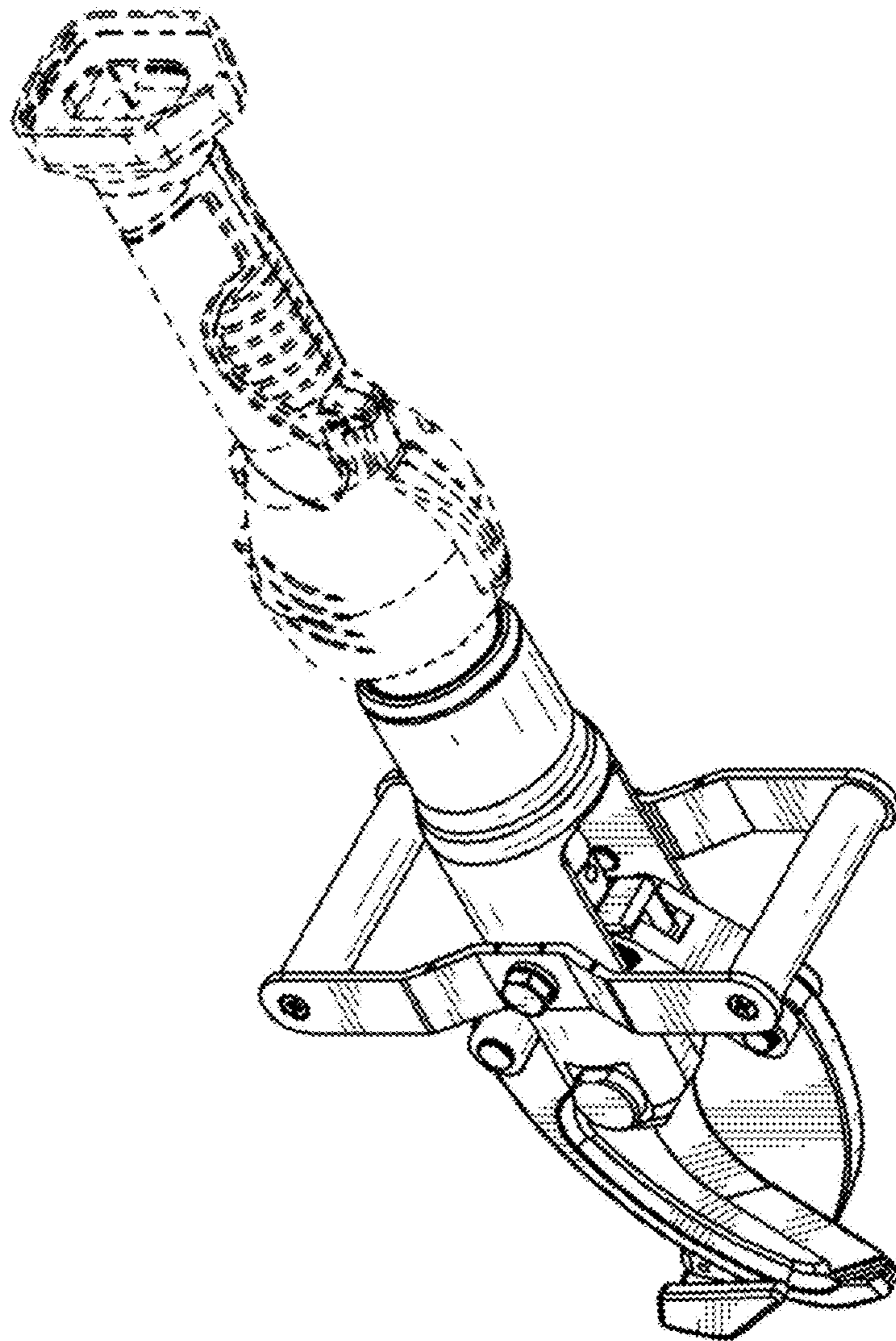


FIG.20