



US00D767956S

(12) **United States Design Patent**
Armistead

(10) **Patent No.:** **US D767,956 S**

(45) **Date of Patent:** **** Oct. 4, 2016**

(54) **FINGER-FITTING ADJUSTABLE WRENCH**

(71) Applicant: **John Anderson Armistead**, Easley, SC
(US)

(72) Inventor: **John Anderson Armistead**, Easley, SC
(US)

(**) Term: **14 Years**

(21) Appl. No.: **29/474,571**

(22) Filed: **Nov. 6, 2014**

(51) **LOC (10) Cl.** **08-05**

(52) **U.S. Cl.**
USPC **D8/21**

(58) **Field of Classification Search**
USPC D8/21–29, 44, 81–87, 102–107, 98, 99,
D8/55, 93, 94; 81/60–63.2, 177.1, 177.85,
81/177.8, 489, 125.1, 121.1, 119–120,
81/176.1, 186, 177.9, 185.1, 176.2, 165,
81/170, 3.35, 58, 3.345, 155; 206/378;
16/429, 441, 124.6; 7/100, 138, 168,
7/157; D24/146
CPC B25B 13/48; B25B 13/02; B25B 13/04
See application file for complete search history.

(56) **References Cited**

U.S. PATENT DOCUMENTS

4,967,435 A * 11/1990 Seals B25B 27/22
59/7
D337,246 S * 7/1993 Arden D8/107

D371,298 S * 7/1996 Reddy D15/140
5,572,912 A * 11/1996 Gasparre B25B 13/06
81/121.1
5,797,301 A * 8/1998 Huenke B25B 13/48
131/238
D398,493 S * 9/1998 Jones D8/21
6,516,689 B1 * 2/2003 Bates B25B 13/463
81/58
D592,471 S * 5/2009 Rosko D8/28
D622,565 S * 8/2010 Huang D8/25
D635,419 S * 4/2011 Chen D8/25
D644,901 S * 9/2011 Christopher D8/83
D657,214 S * 4/2012 Chen D8/25
D689,752 S * 9/2013 Alho D8/25

* cited by examiner

Primary Examiner — Randall Gholson

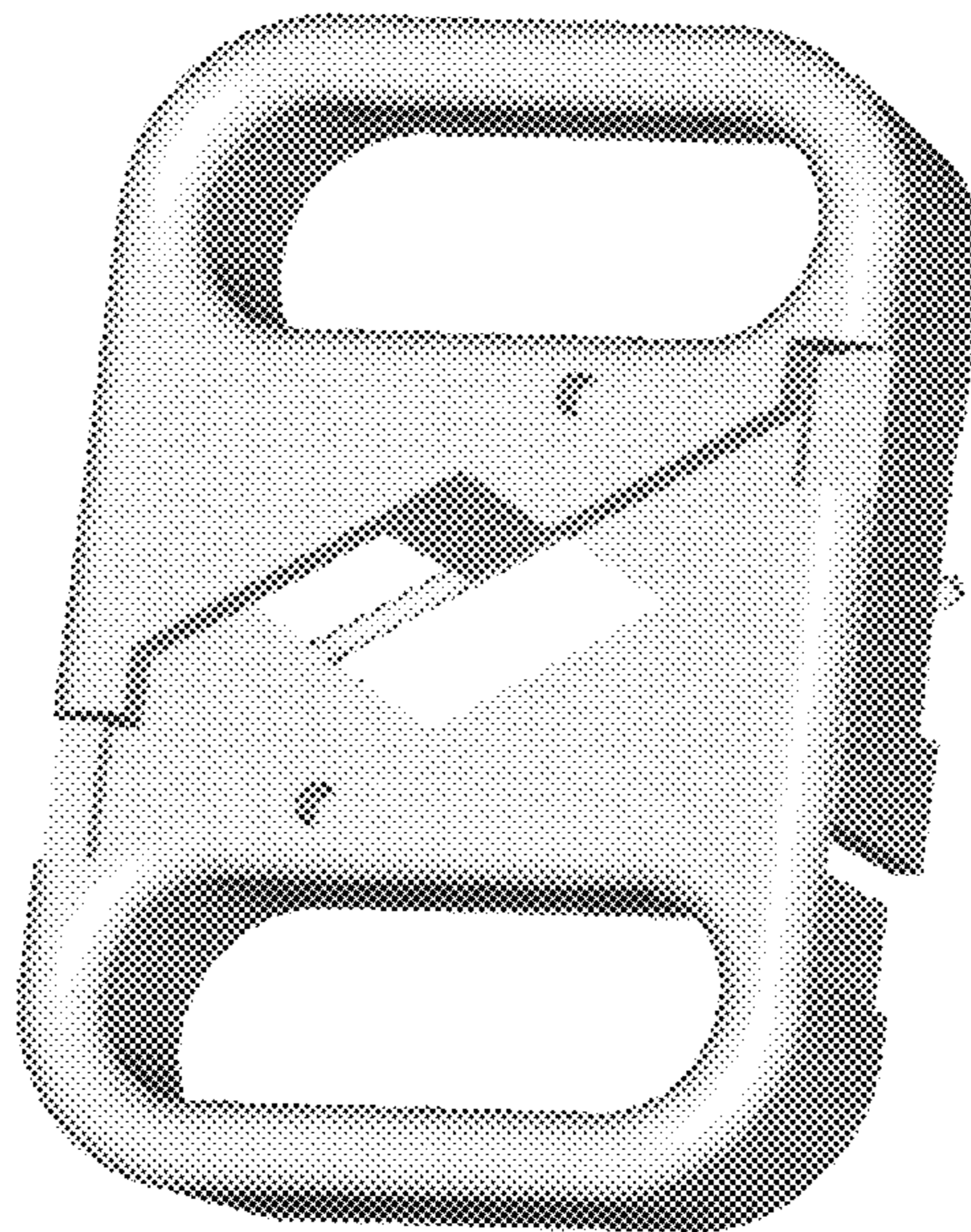
(57) **CLAIM**

The ornamental design for a finger-fitting adjustable wrench,
as shown and described.

DESCRIPTION

FIG. 1 is a top view of my new design for a finger-fitting
adjustable wrench;
FIG. 2 is a bottom view thereof;
FIG. 3 is a right side view thereof showing the wrench
component separately for ease of illustration;
FIG. 4 is a left side view thereof showing the wrench
component separately for ease of illustration; and,
FIG. 5 is a back side view thereof showing the wrench
component separately for ease of illustration.

1 Claim, 3 Drawing Sheets



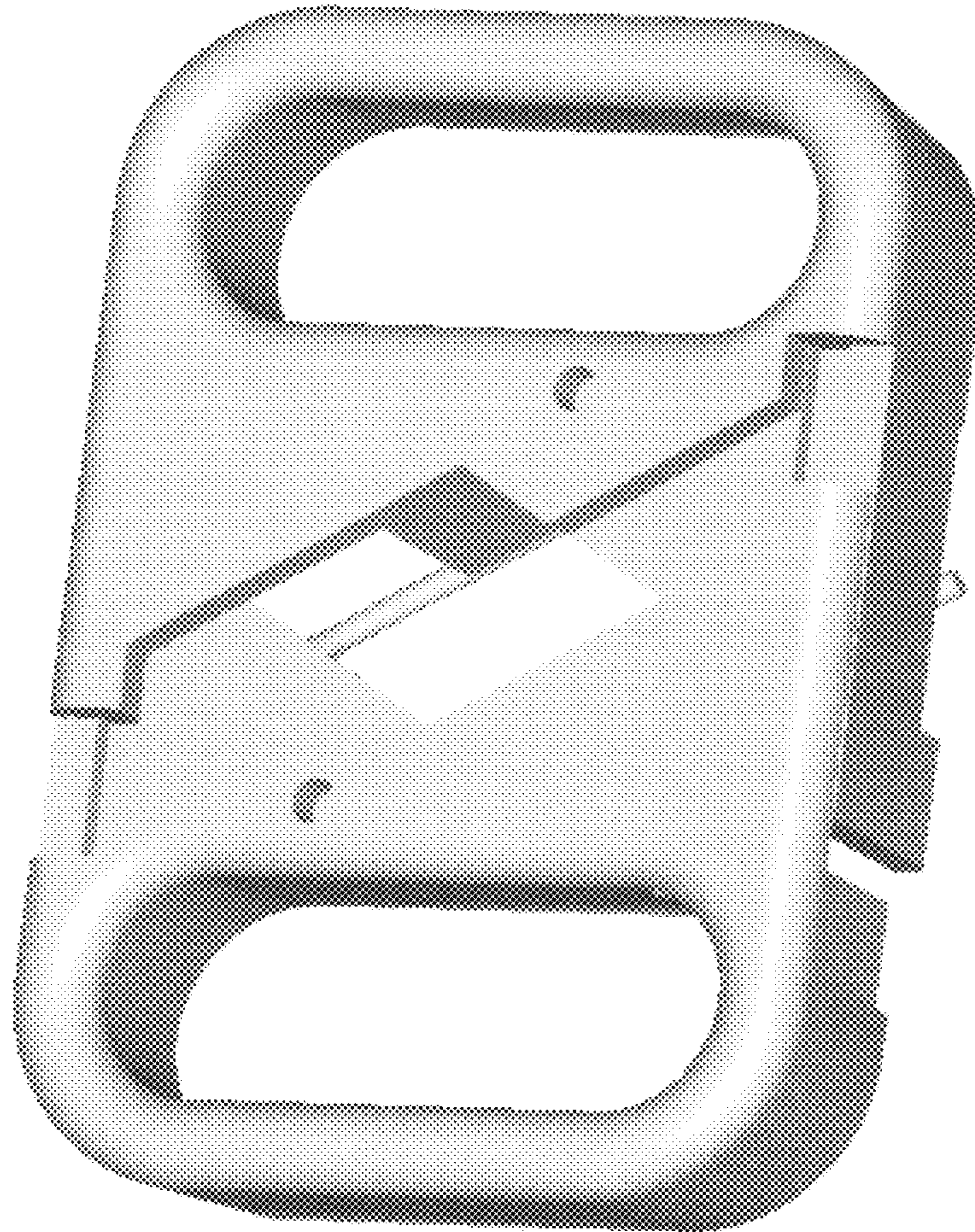


Fig. 1

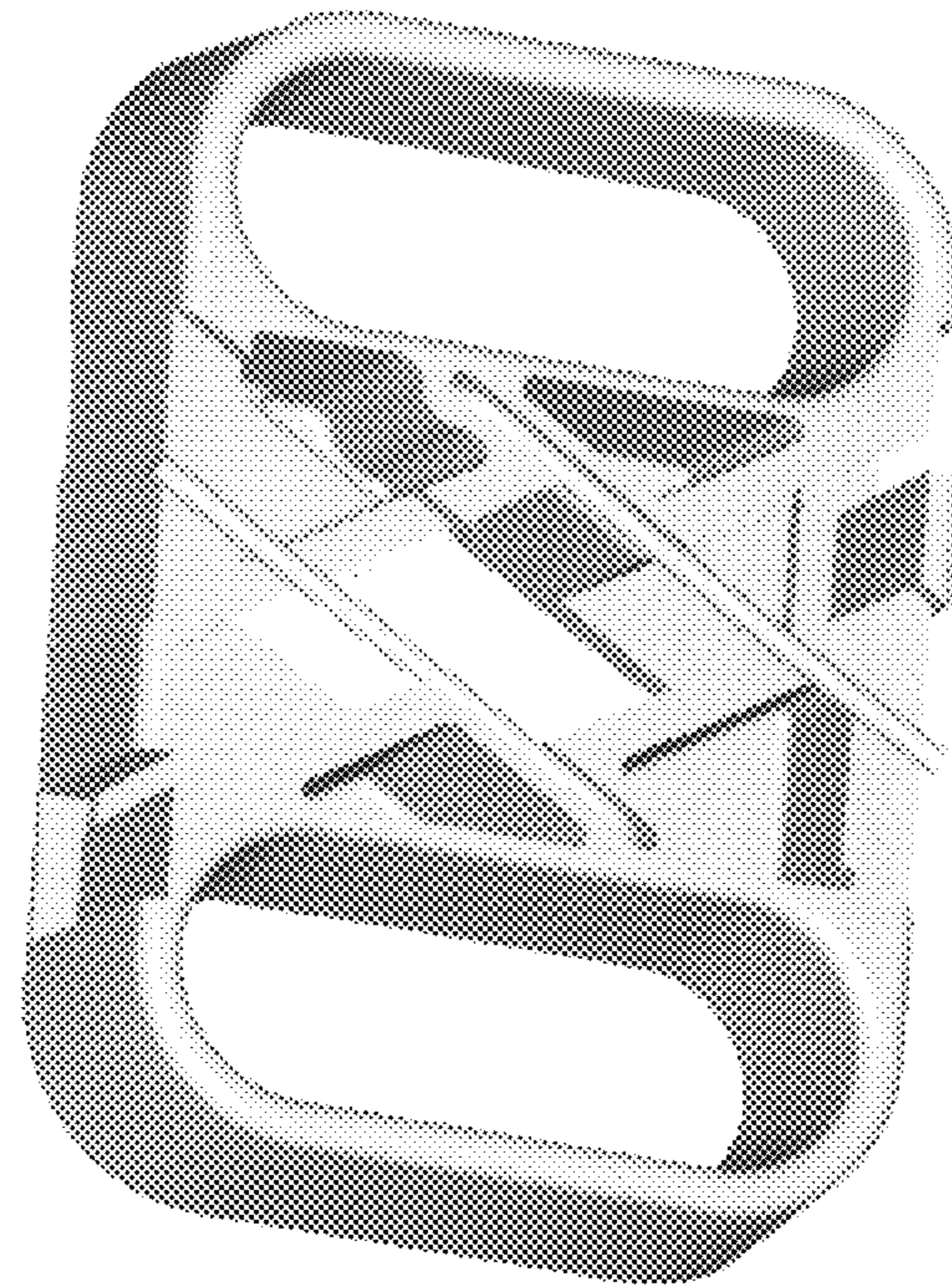


Fig. 2

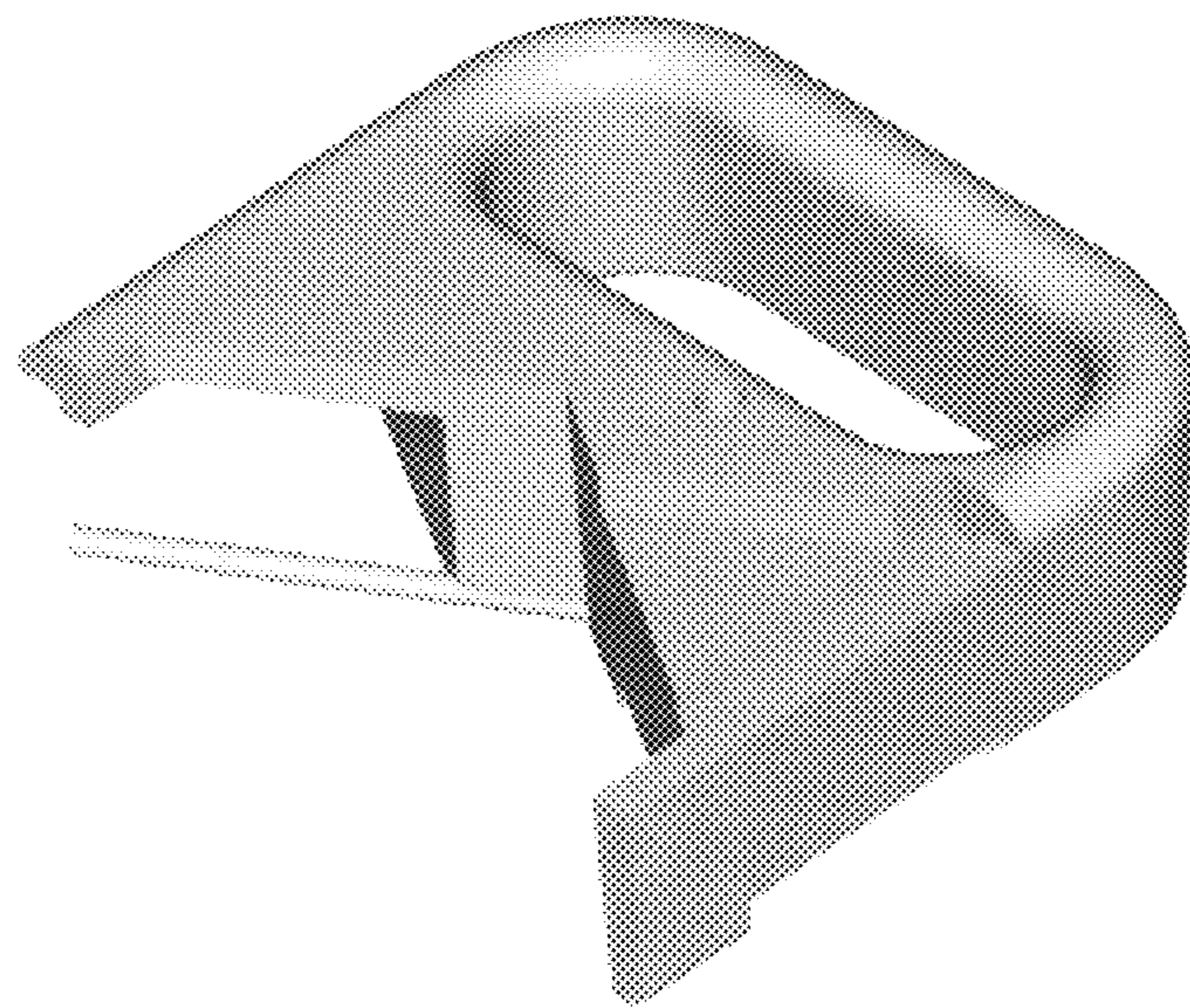


Fig. 3

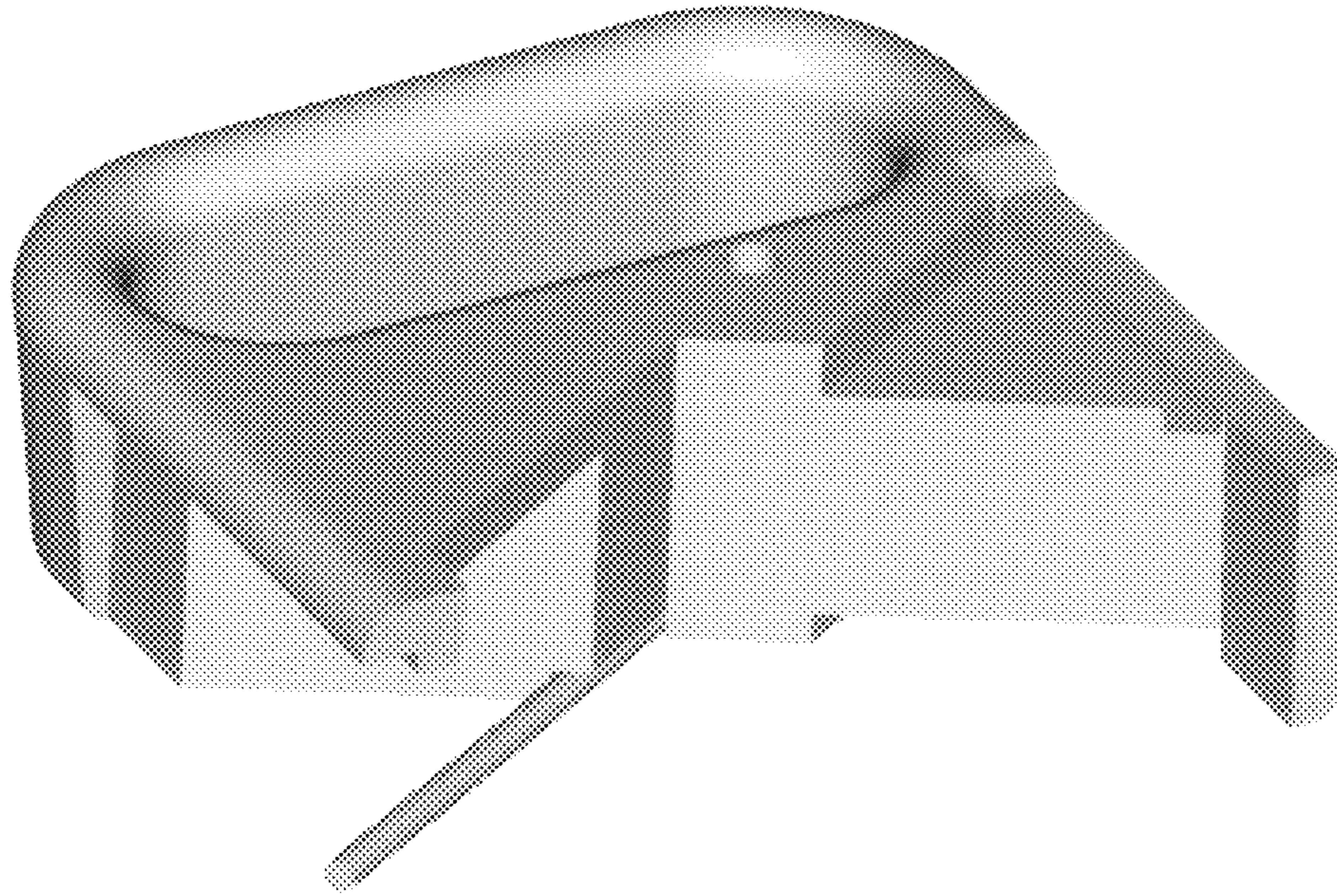


Fig. 4

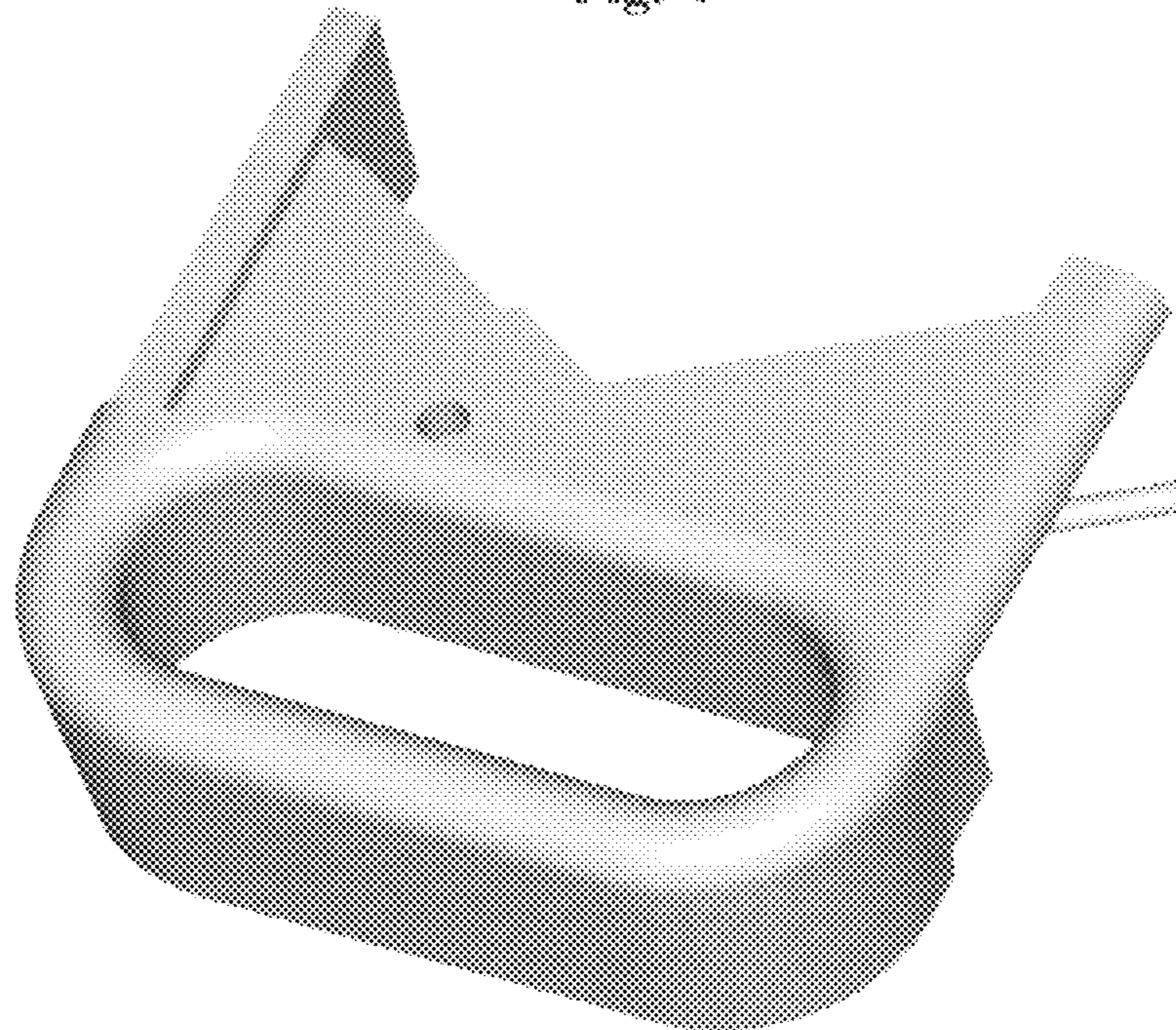


Fig. 5