



US00D767955S

(12) **United States Design Patent**
Castelli

(10) **Patent No.:** **US D767,955 S**

(45) **Date of Patent:** **** Oct. 4, 2016**

(54) **PROTECTIVE SMARTPHONE COVER
GLASS APPLICATOR**

(71) Applicant: **Tzumi Accessories Corp.**, New York,
NY (US)

(72) Inventor: **Joseph Castelli**, New York, NY (US)

(73) Assignee: **TZUMI ELECTRONICS LLC**, New
York, NY (US)

(**) Term: **14 Years**

(21) Appl. No.: **29/506,466**

(22) Filed: **Oct. 16, 2014**

(51) **LOC (10) Cl.** **08-05**

(52) **U.S. Cl.**
USPC **D8/14**

(58) **Field of Classification Search**
USPC D8/14; D9/415; D10/64; 156/538, 391,
156/230; 206/230
CPC B26C 65/00; B32B 37/18
See application file for complete search history.

(56) **References Cited**

U.S. PATENT DOCUMENTS

6,491,775 B1 * 12/2002 Janssen B29C 63/0004
156/108
D639,682 S * 6/2011 Kozina D10/64
D659,132 S * 5/2012 Wen D14/250
8,393,377 B2 * 3/2013 Patel B29C 63/0004
156/391

8,640,759 B2 * 2/2014 Chen B29C 63/0004
156/538
8,940,122 B2 * 1/2015 Cohen B29C 63/0047
156/230
D738,172 S * 9/2015 Chen D8/14
D740,626 S * 10/2015 Chen D8/14
2012/0211171 A1 * 8/2012 Patel B29C 63/0004
156/538

* cited by examiner

Primary Examiner — Phillip S Hyder

(74) *Attorney, Agent, or Firm* — Notaro, Michalos &
Zaccaria P.C.

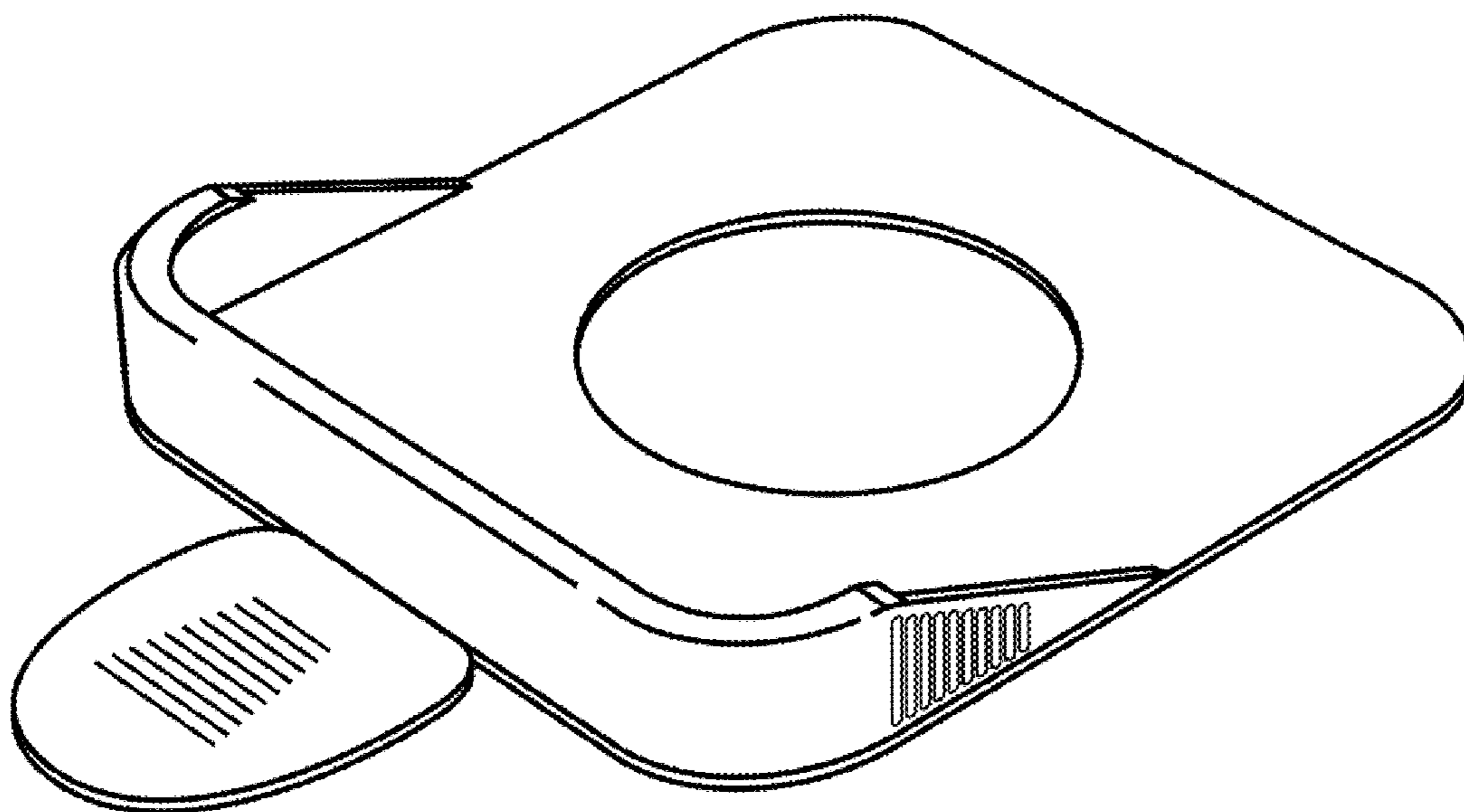
(57) **CLAIM**

The ornamental design for a protective smartphone cover
glass applicator, as shown and described.

DESCRIPTION

FIG. 1 is a top, rear, left side perspective view of a protective
smartphone cover glass applicator showing my design there-
for;
FIG. 2 is a top plan view thereof;
FIG. 3 is a rear elevational view thereof;
FIG. 4 is a left side elevational view thereof;
FIG. 5 is a bottom plan view thereof;
FIG. 6 is a top, rear, left side perspective view thereof,
showing a smartphone in dashed lines for context, which
smartphone does not form a part of the claimed design;
FIG. 7 is a right side elevational view thereof; and,
FIG. 8 is a front elevational view thereof.

1 Claim, 4 Drawing Sheets



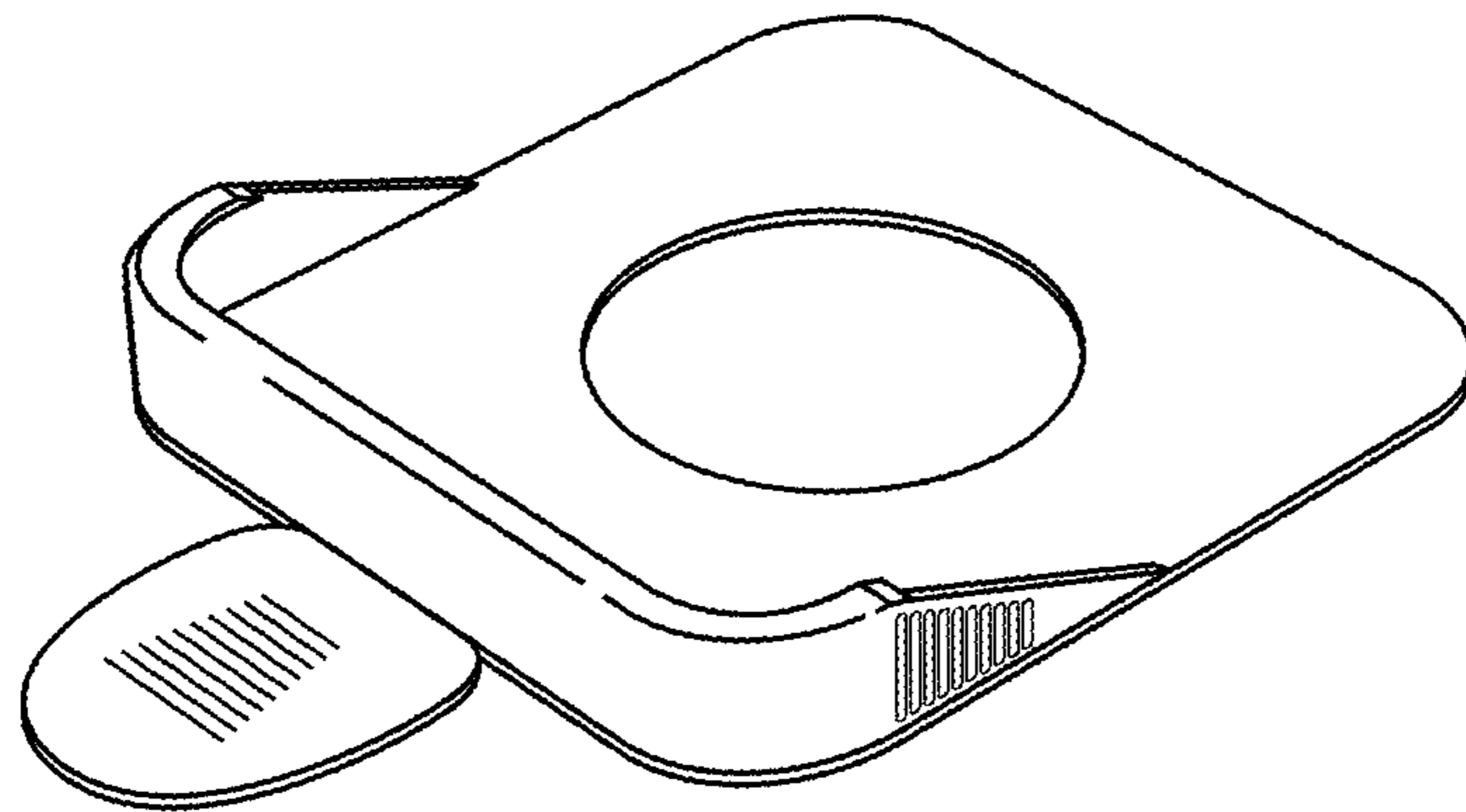


FIG. 1

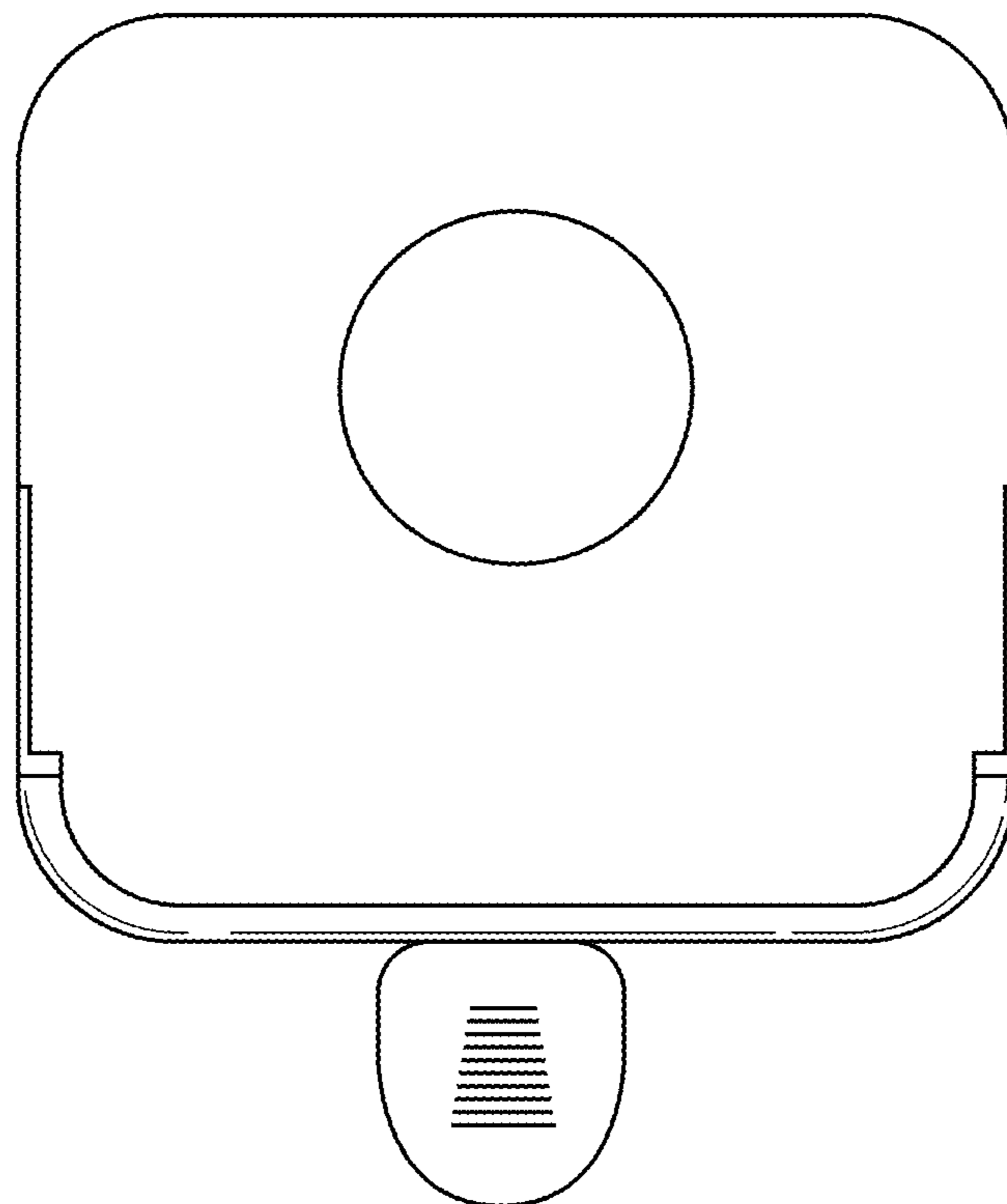


FIG. 2



FIG. 3

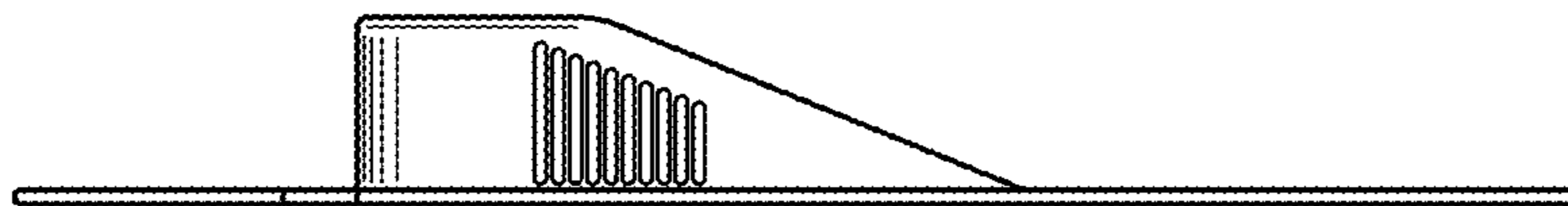


FIG. 4

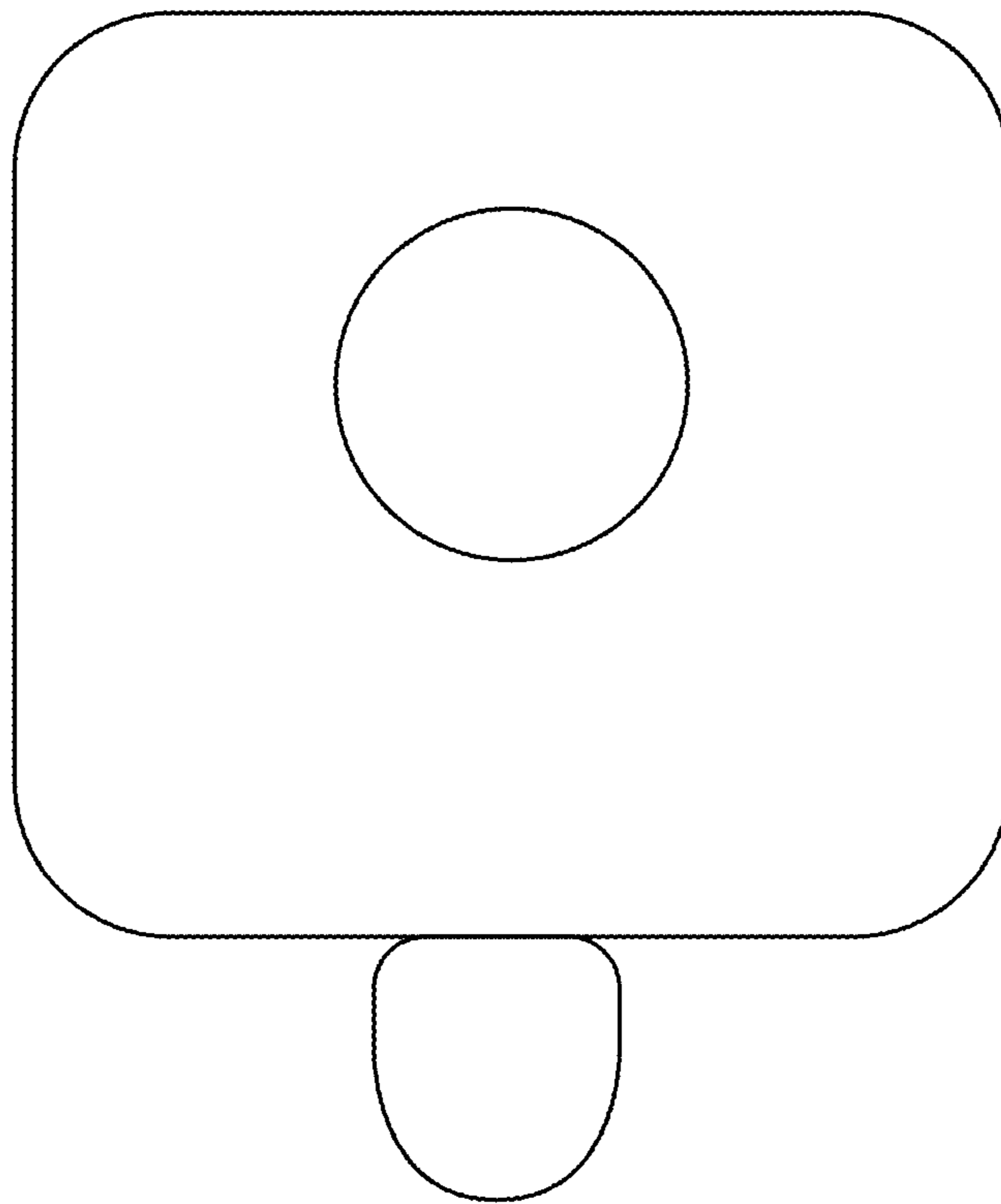


FIG. 5

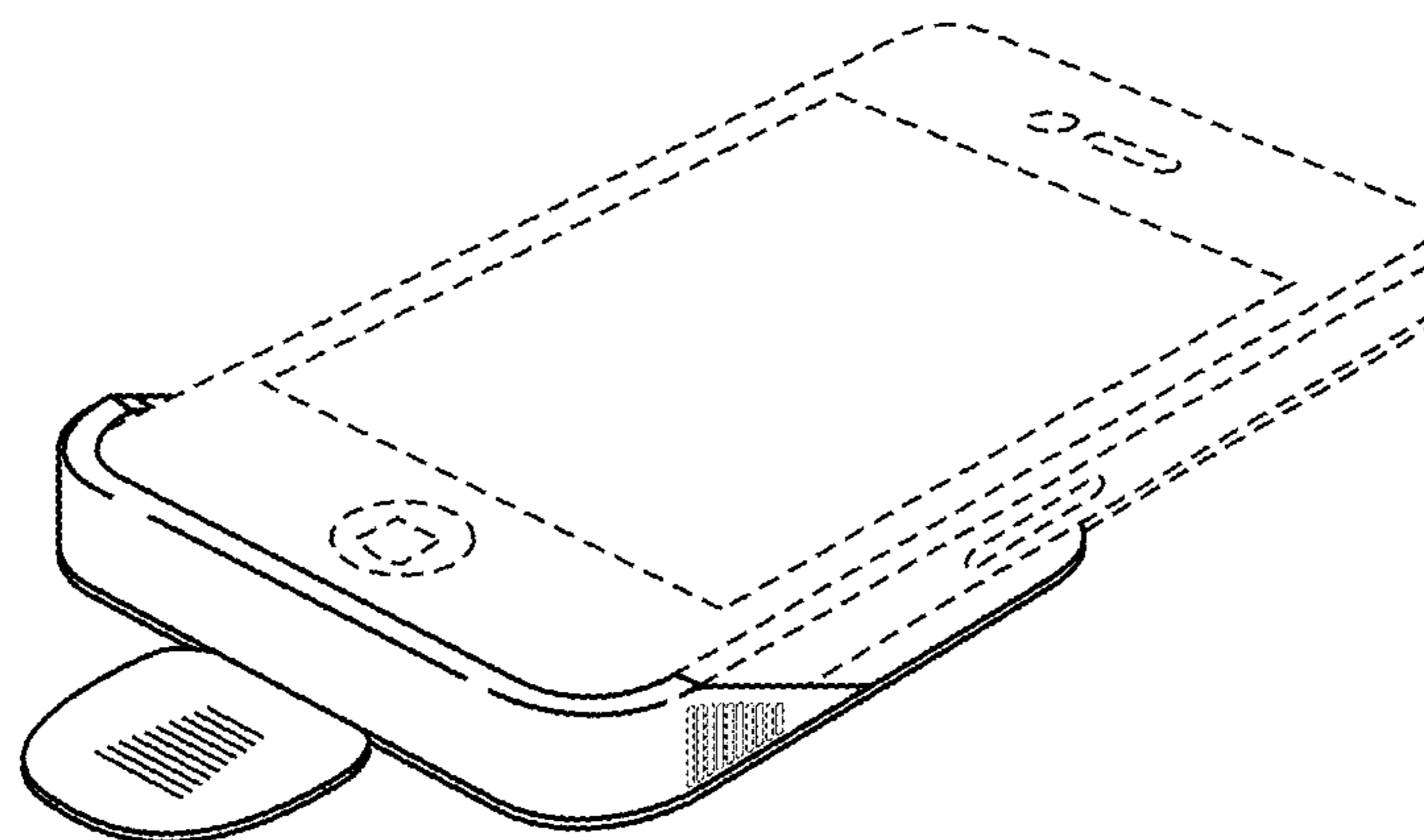


FIG. 6

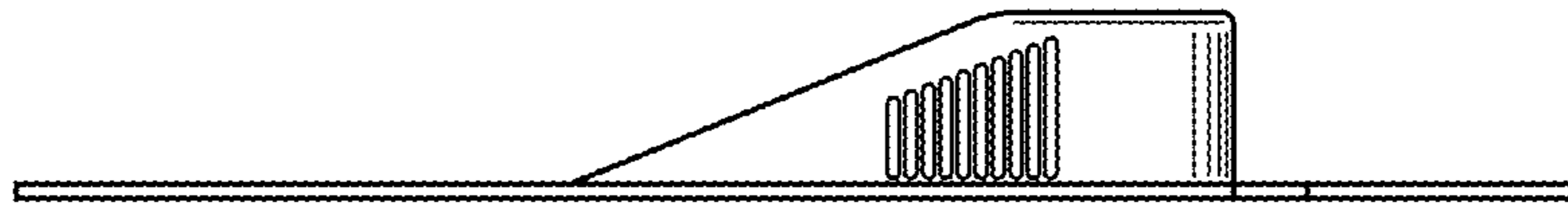


FIG. 7



FIG. 8