

US00D767952S

(12) **United States Design Patent**  
**Ioncescu**

(10) **Patent No.:** **US D767,952 S**

(45) **Date of Patent:** **\*\* Oct. 4, 2016**

(54) **CEREAL BOWL**

(71) Applicant: **Ilie Ioncescu**, Deerfield Beach, FL (US)

(72) Inventor: **Ilie Ioncescu**, Deerfield Beach, FL (US)

(\*\*) Term: **14 Years**

(21) Appl. No.: **29/507,396**

(22) Filed: **Oct. 27, 2014**

(30) **Foreign Application Priority Data**

Apr. 25, 2014 (EM) ..... 002453548-0001

(51) **LOC (10) Cl.** ..... **07-03**

(52) **U.S. Cl.**  
USPC ..... **D7/647**

(58) **Field of Classification Search**

USPC ..... D7/392.1, 396.1, 396.4-396.5, 500,  
D7/505-506, 513, 540-549, 550.1, 551.1,  
D7/553.1-553.8, 560-576, 584-588,  
D7/642-645, 664, 667; D9/429, 715-719,  
D9/749, 756-761; D11/37, 134, 140, 227  
CPC ..... A45C 11/20; A45G 19/02; A45G 19/03;  
A45G 19/04; A45G 19/06; A47G 19/02;  
A47G 19/16; A47J 37/129; B65D 1/24

See application file for complete search history.

(56) **References Cited**

**U.S. PATENT DOCUMENTS**

D348,803 S \* 7/1994 Aronson ..... D7/544  
5,676,275 A \* 10/1997 Khattar ..... A47G 19/02  
220/23.83  
5,706,980 A \* 1/1998 Dickerson ..... A47G 19/02  
220/501  
5,746,113 A \* 5/1998 Ko ..... A47G 19/16  
99/279  
5,871,116 A \* 2/1999 Picchiatti ..... A45C 11/20  
220/4.24  
D468,168 S \* 1/2003 Gruenberg, Sr. .... D7/667  
7,021,202 B2 \* 4/2006 Sizer ..... A47J 37/129  
220/573.2  
7,487,881 B2 \* 2/2009 Watzke ..... B65D 1/24  
220/501

8,348,083 B2 \* 1/2013 Light ..... A47G 19/02  
220/529

8,348,084 B2 \* 1/2013 Dahlquist ..... A47G 19/02  
220/23.87

2006/0207993 A1 \* 9/2006 Copeland ..... A47G 19/02  
220/574

2010/0001007 A1 \* 1/2010 Ferraro ..... A47G 19/02  
220/574

2013/0183400 A1 \* 7/2013 Ioncescu ..... A47G 19/02  
426/2

\* cited by examiner

*Primary Examiner* — Ricky Pham

(74) *Attorney, Agent, or Firm* — Donald J. Ranft; Kristen A. Mogavero; Collen IP

(57) **CLAIM**

The ornamental design for a cereal bowl, as shown and described.

**DESCRIPTION**

FIG. 1 is a perspective view of a front side of my cereal bowl in an assembled configuration;

FIG. 2 is a front elevational view of the cereal bowl according to FIG. 1;

FIG. 3 is a rear elevational view of the cereal bowl according to FIG. 1;

FIG. 4 is a left side elevational view of the cereal bowl according to FIG. 1;

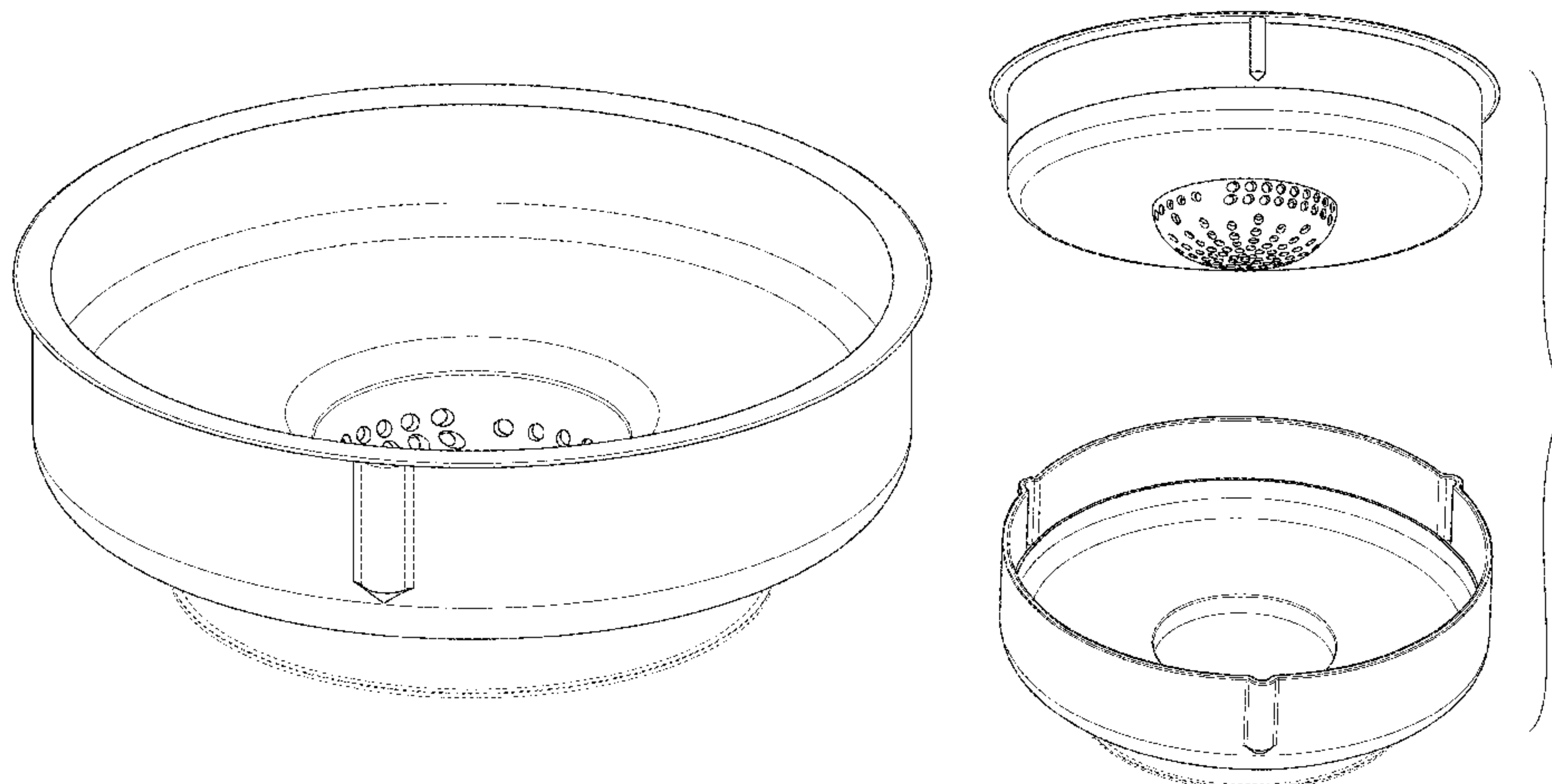
FIG. 5 is a top plan view of the cereal bowl according to FIG. 1;

FIG. 6 is a bottom plan view of the cereal bowl according to FIG. 1;

FIG. 7 is an enlarged exploded side elevational view of the cereal bowl, in which an upper portion of the bowl is shown separated from a lower portion of the bowl for completeness of disclosure; and,

FIG. 8 is an enlarged exploded perspective view of the upper portion and the lower portion of the cereal bowl, shown separated from one another for completeness of disclosure. The portions of the cereal bowl shown in broken lines form no part of the claimed design.

**1 Claim, 5 Drawing Sheets**



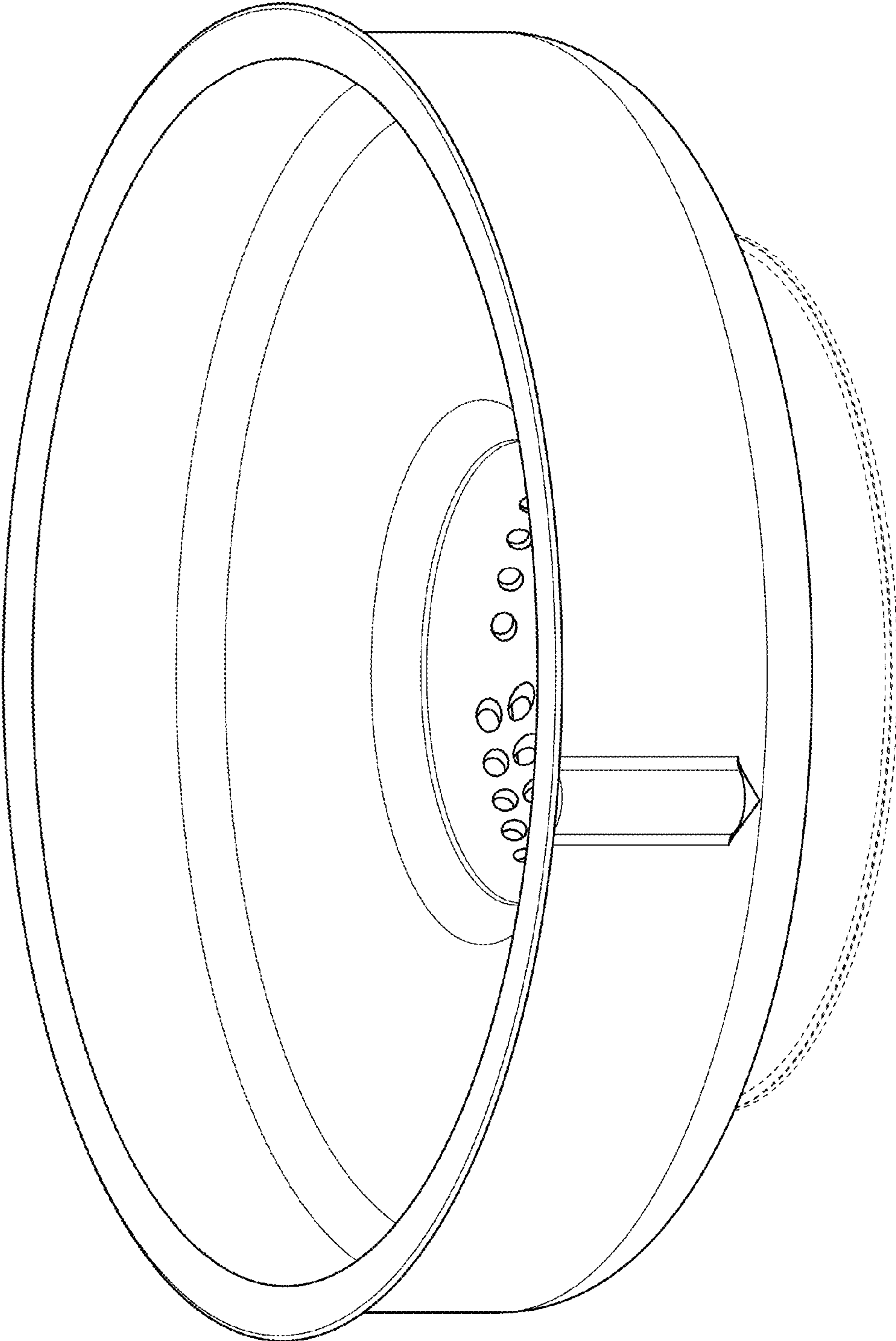


FIG. 1

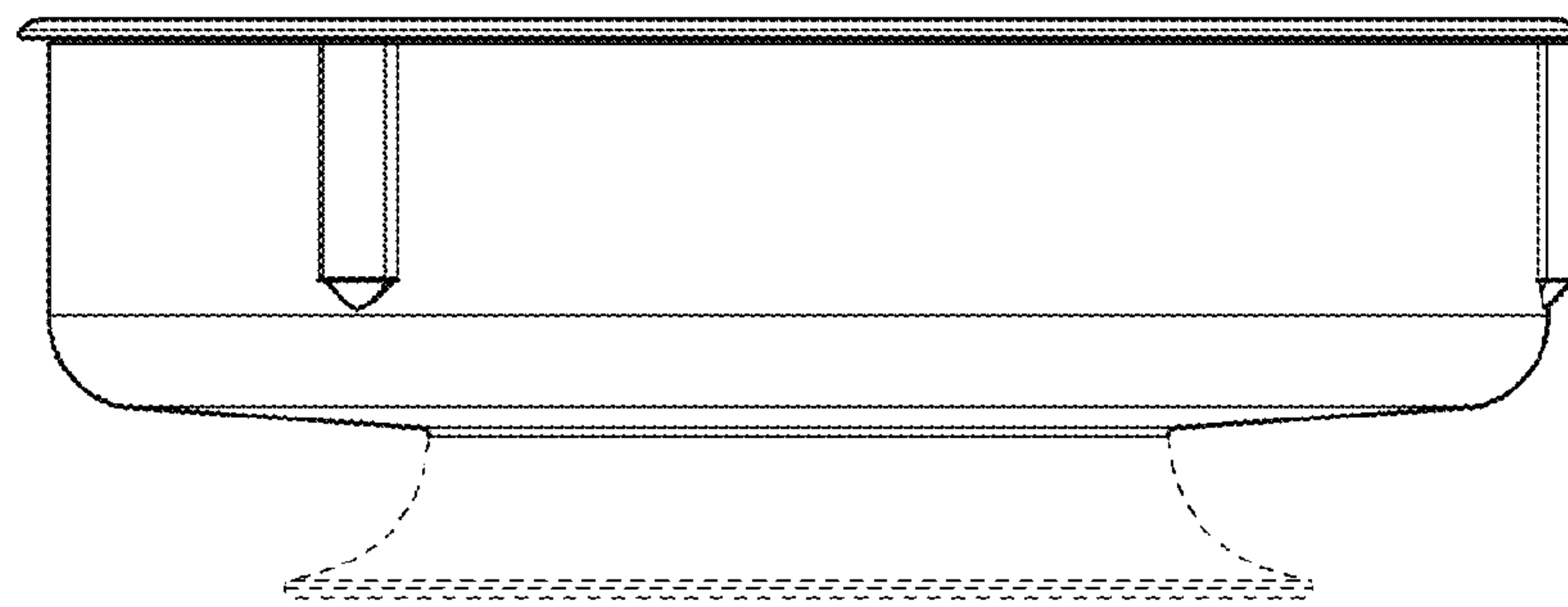


FIG. 2

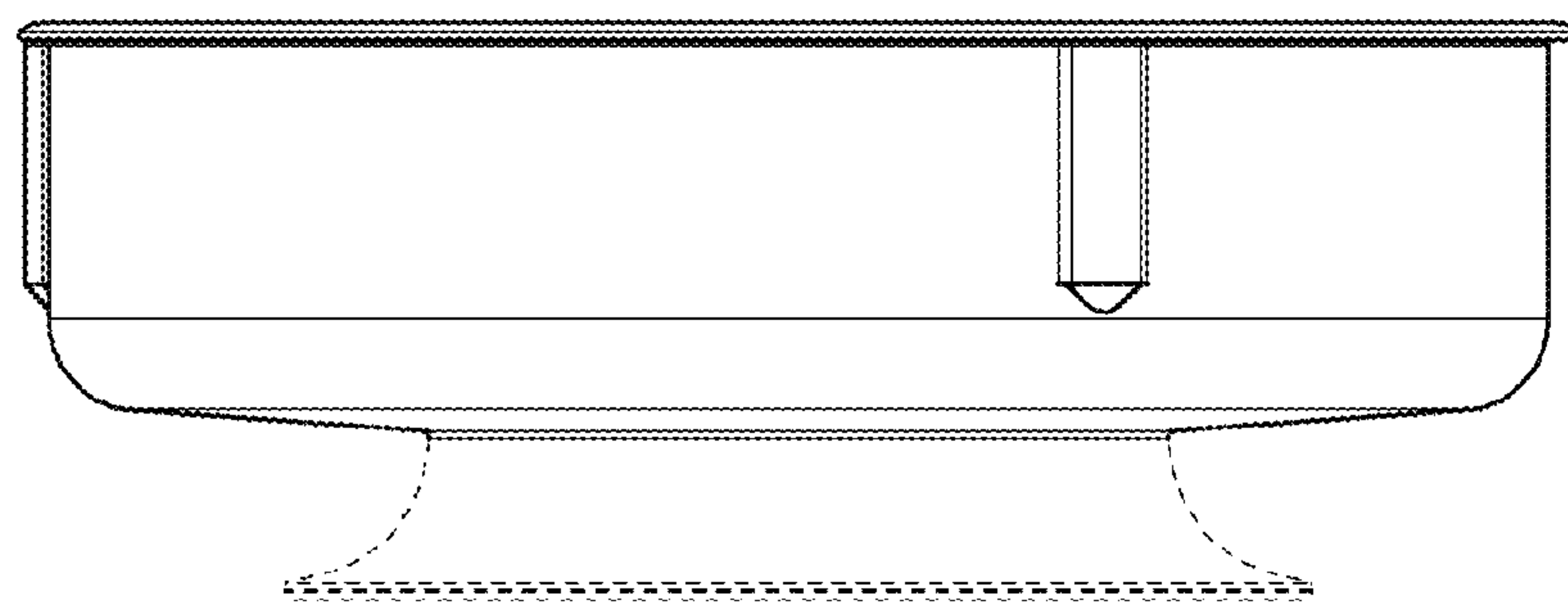


FIG. 3

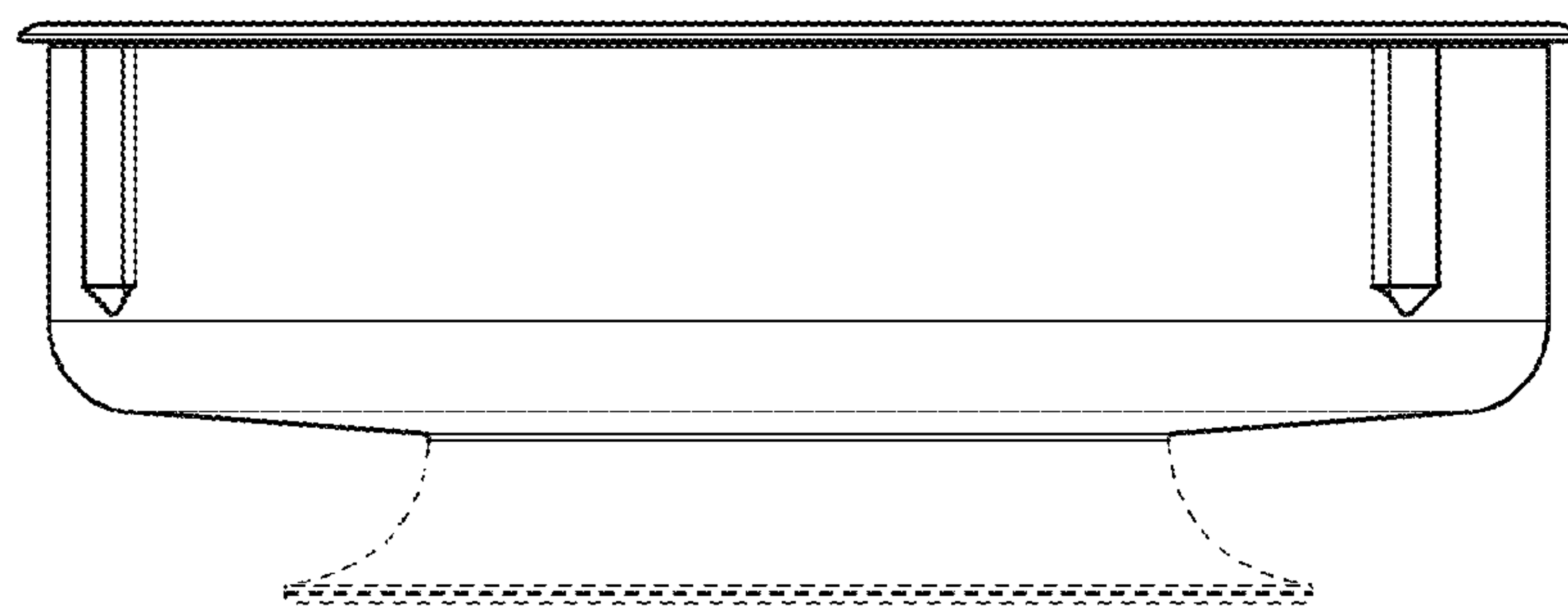


FIG. 4

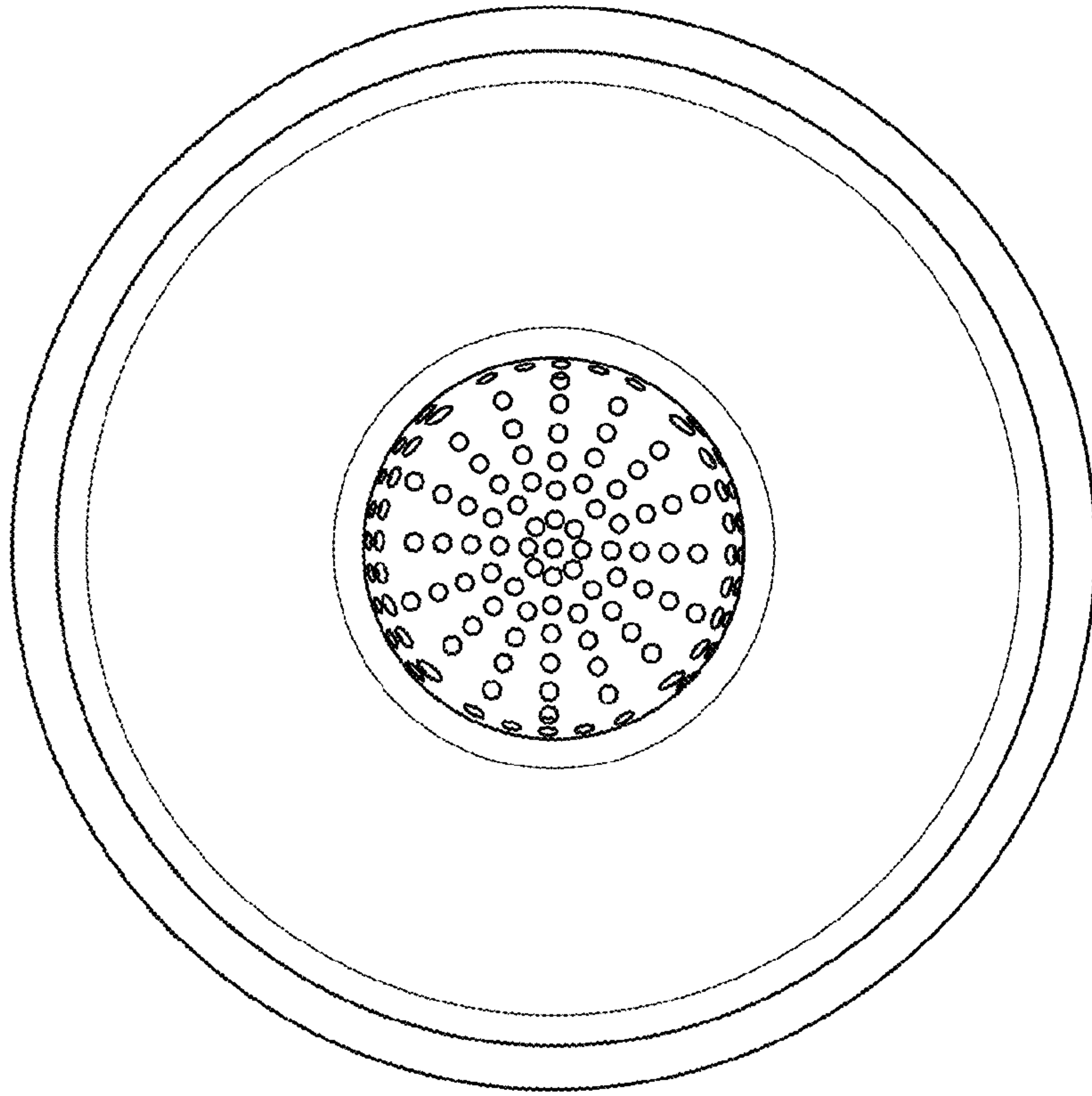


FIG. 5

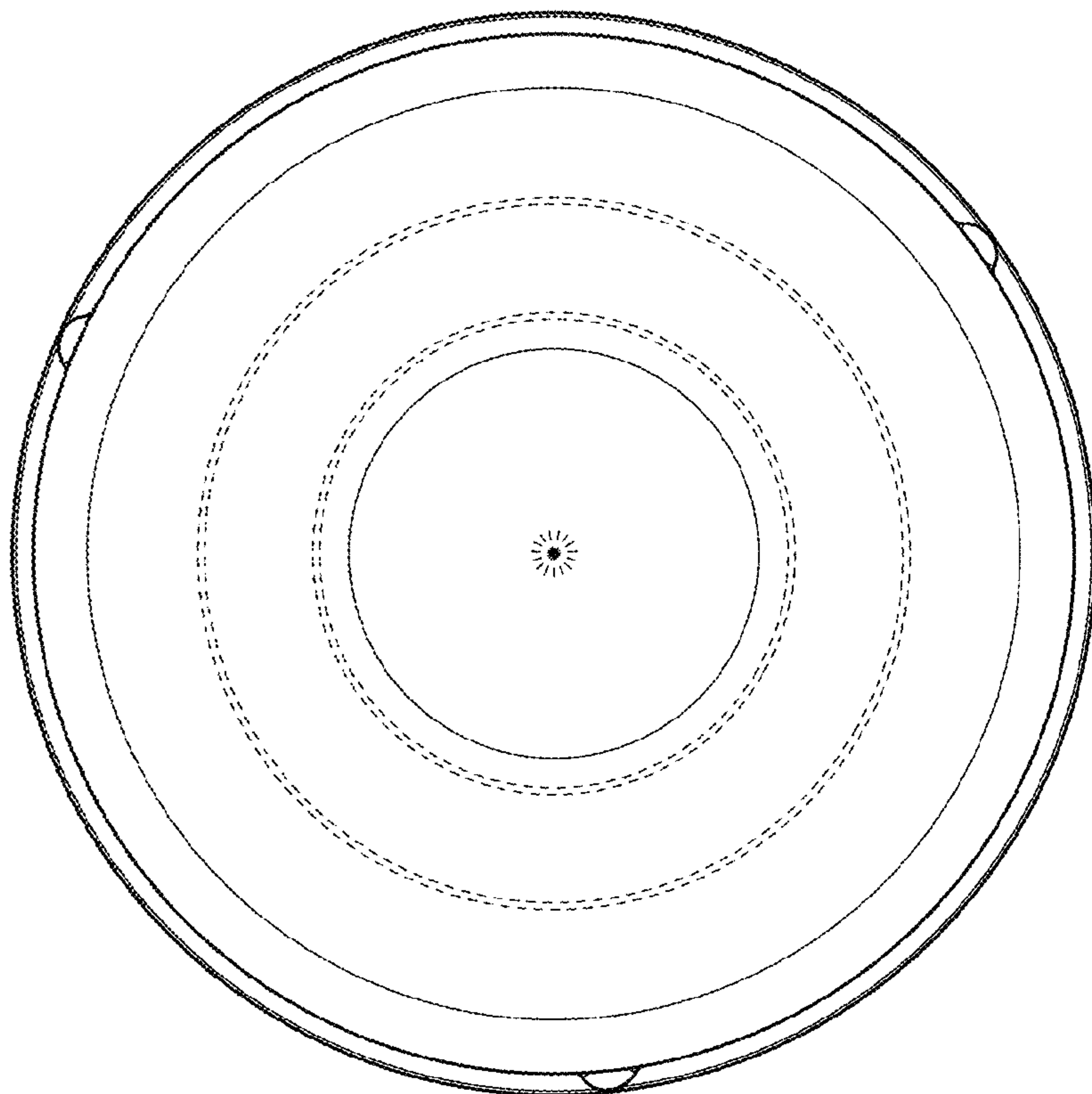


FIG. 6



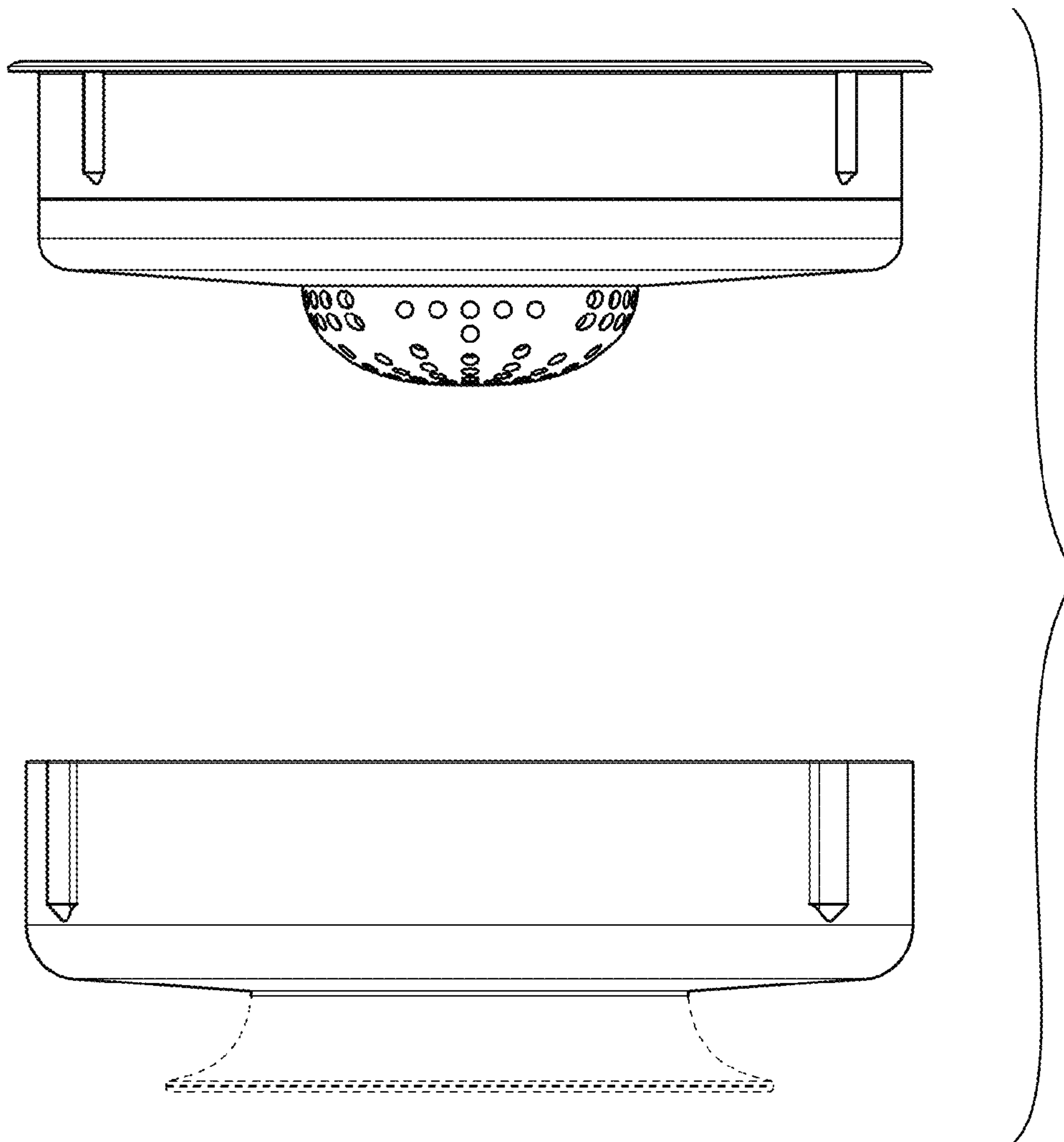


FIG. 7

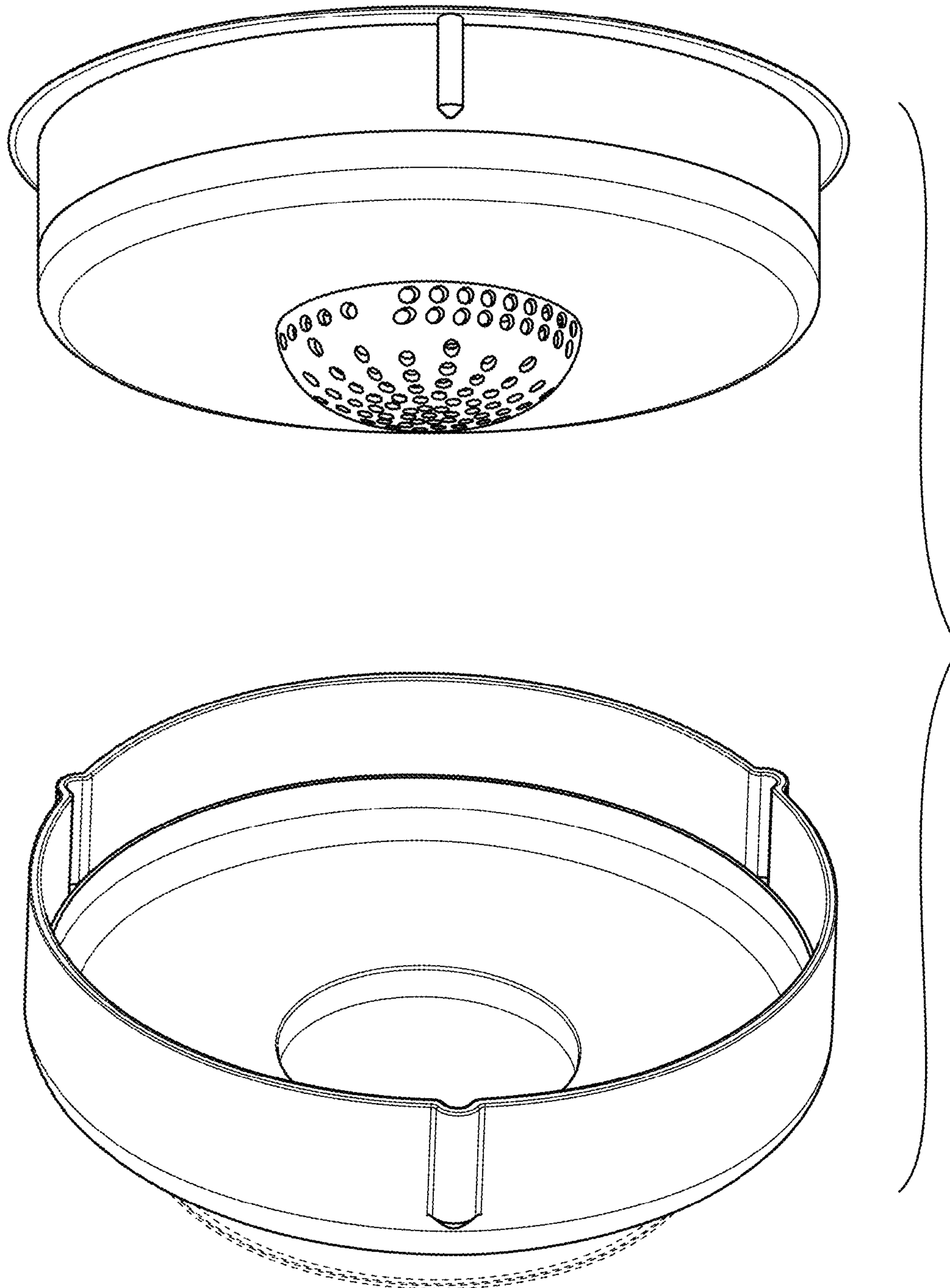


FIG. 8