



US00D767951S

(12) **United States Design Patent**  
**de Buyer et al.**

(10) **Patent No.:** **US D767,951 S**

(45) **Date of Patent:** **\*\* Oct. 4, 2016**

(54) **CASE FOR BLADES OF A MANDOLIN SLICER**

D484,684	S	*	1/2004	Eldon, III	.....	D3/205
D524,046	S	*	7/2006	Pangerc	.....	D3/273
D698,212	S	*	1/2014	De Buyer	.....	D7/672
2007/0167122	A1	*	7/2007	Henry	.....	B24D 15/081 451/523

(71) Applicant: **DE BUYER INDUSTRIES**, Le Val d'Ajol (FR)

\* cited by examiner

(72) Inventors: **Julien de Buyer**, Montevideo (UY);  
**Jean-Noël Mathieu**, Vagney (FR)

*Primary Examiner* — Derrick Holland

*Assistant Examiner* — Janice Lim

(73) Assignee: **DE BUYER INDUSTRIES**, Le Val d'Ajol (FR)

(74) *Attorney, Agent, or Firm* — Galgano IP Law PLLC;  
Thomas M. Galgano; Jessica G. McDonald

(\*\*) Term: **14 Years**

(57) **CLAIM**

(21) Appl. No.: **29/519,165**

The ornamental design for a case for blades of a mandolin slicer, as shown and described.

(22) Filed: **Mar. 3, 2015**

**DESCRIPTION**

(30) **Foreign Application Priority Data**

Oct. 23, 2014 (WO) ..... DM085074

(51) **LOC (10) Cl.** ..... **07-07**

(52) **U.S. Cl.**  
USPC ..... **D7/637**

(58) **Field of Classification Search**  
USPC ..... D3/273, 274; D7/631, 637-641, 550.1;  
D9/420-426, 432; 206/553, 557, 562,  
206/564; 211/60.1, 70.1, 70.7; 220/23.83  
CPC ..... A47G 21/06; A47G 21/14; A47G 29/08;  
B65D 43/169; B65D 45/00; B67B 7/16;  
B67B 7/44

See application file for complete search history.

FIG. 1 is a top, left side perspective view of a case for blades of a mandolin slicer, shown in a closed condition, showing our new design;  
FIG. 2 is a left side elevational view thereof;  
FIG. 3 is a right side elevational view thereof;  
FIG. 4 is a rear elevational view thereof;  
FIG. 5 is a front elevational view thereof;  
FIG. 6 is a top plan view thereof;  
FIG. 7 is a bottom plan view thereof;  
FIG. 8 is a top, left side perspective view thereof, shown in an opened condition, shown in environmental use;  
FIG. 9 is a top plan view thereof, shown in an opened condition, shown in environmental use;  
FIG. 10 is a top, left side perspective view thereof, shown in an opened condition; and,  
FIG. 11 is a top plan view thereof, shown in an opened condition.

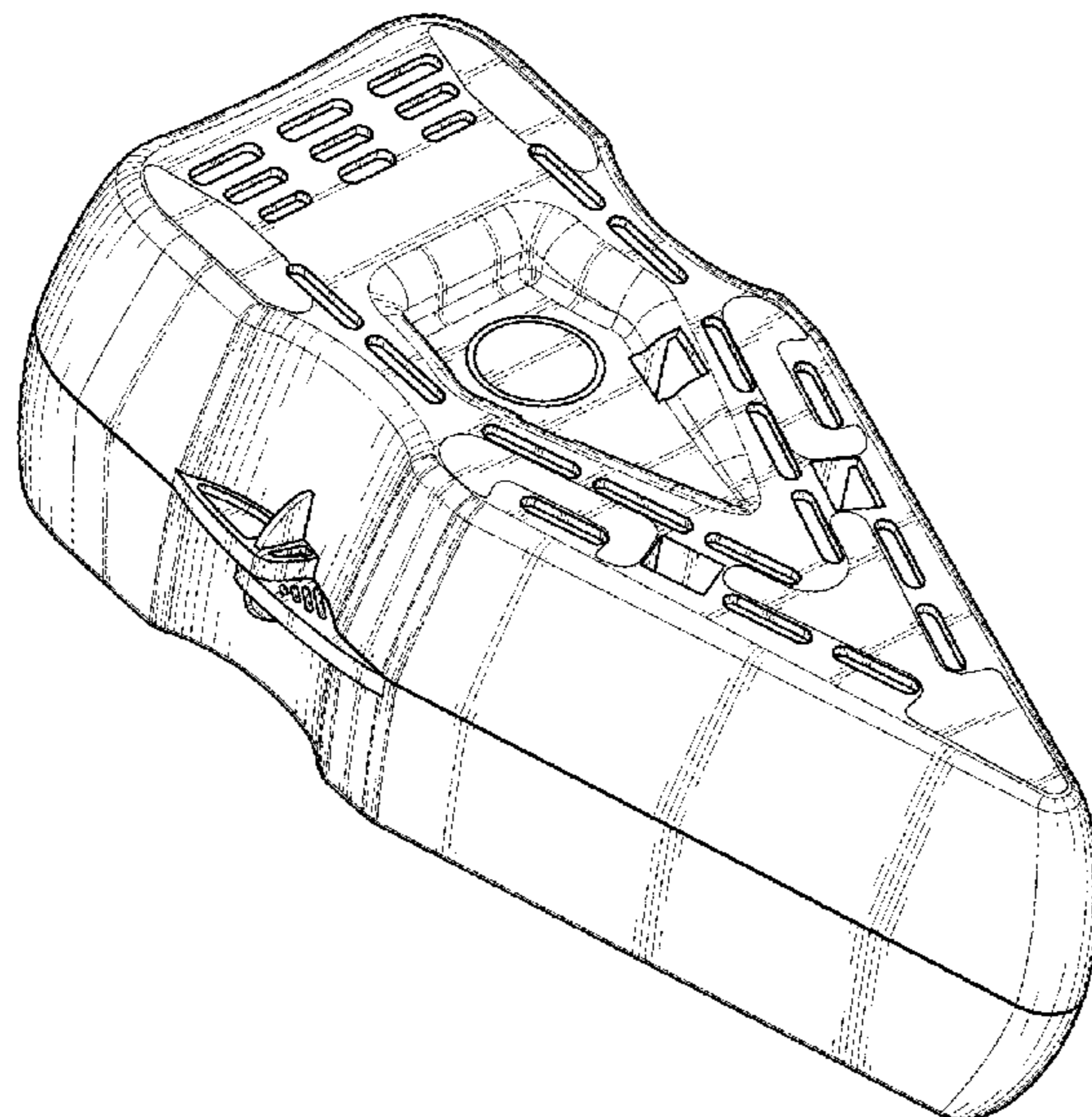
The broken line portions of FIGS. 8 and 9 show unclaimed environmental subject matter only and form no part of the claimed design.

(56) **References Cited**

**U.S. PATENT DOCUMENTS**

D336,049	S	*	6/1993	Patridge, Jr.	.....	D10/65
D341,349	S	*	11/1993	Shtrowise	.....	D12/410
D404,917	S	*	2/1999	Miller	.....	D3/273
D424,906	S	*	5/2000	May	.....	D3/220

**1 Claim, 10 Drawing Sheets**



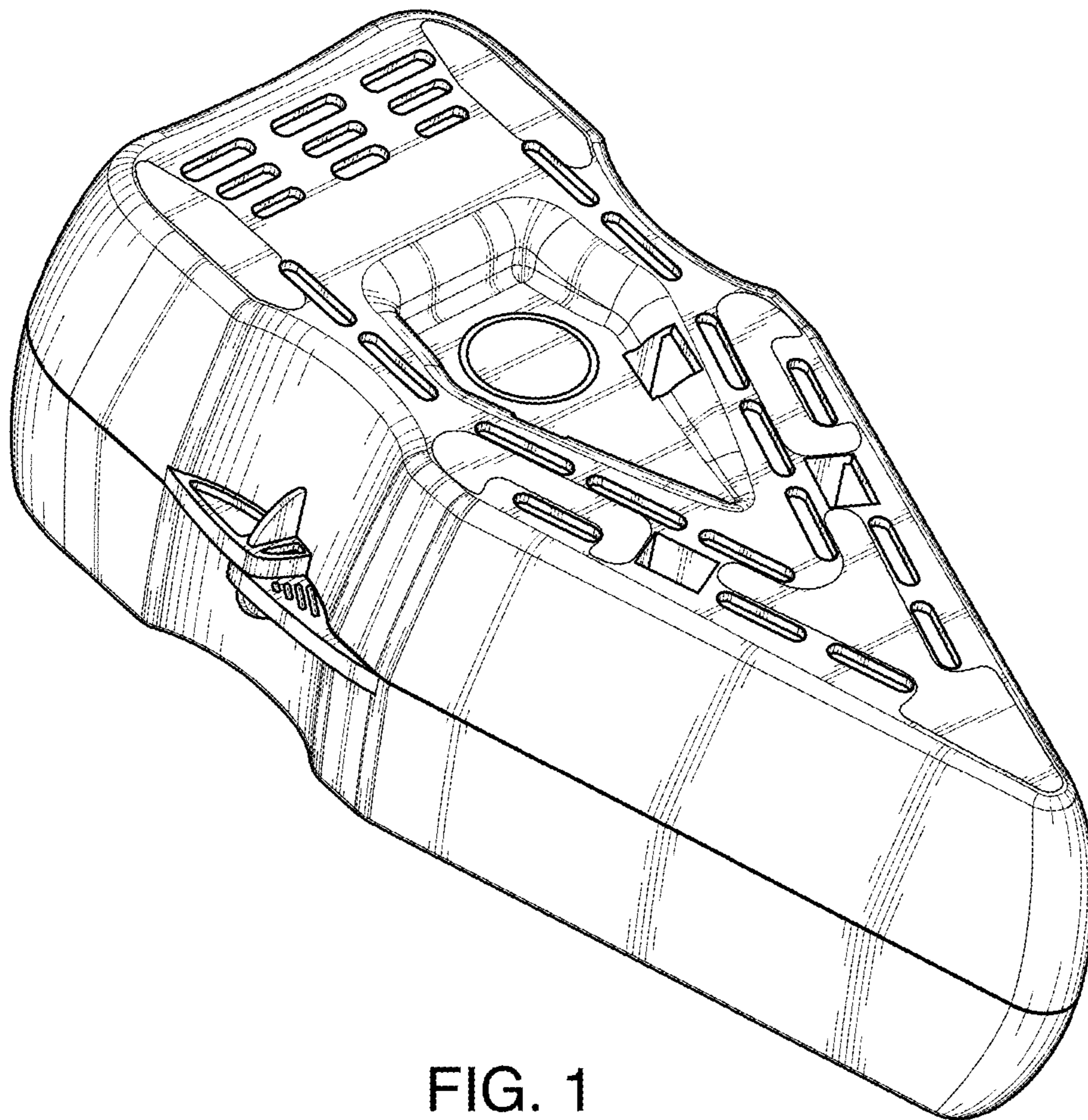


FIG. 1

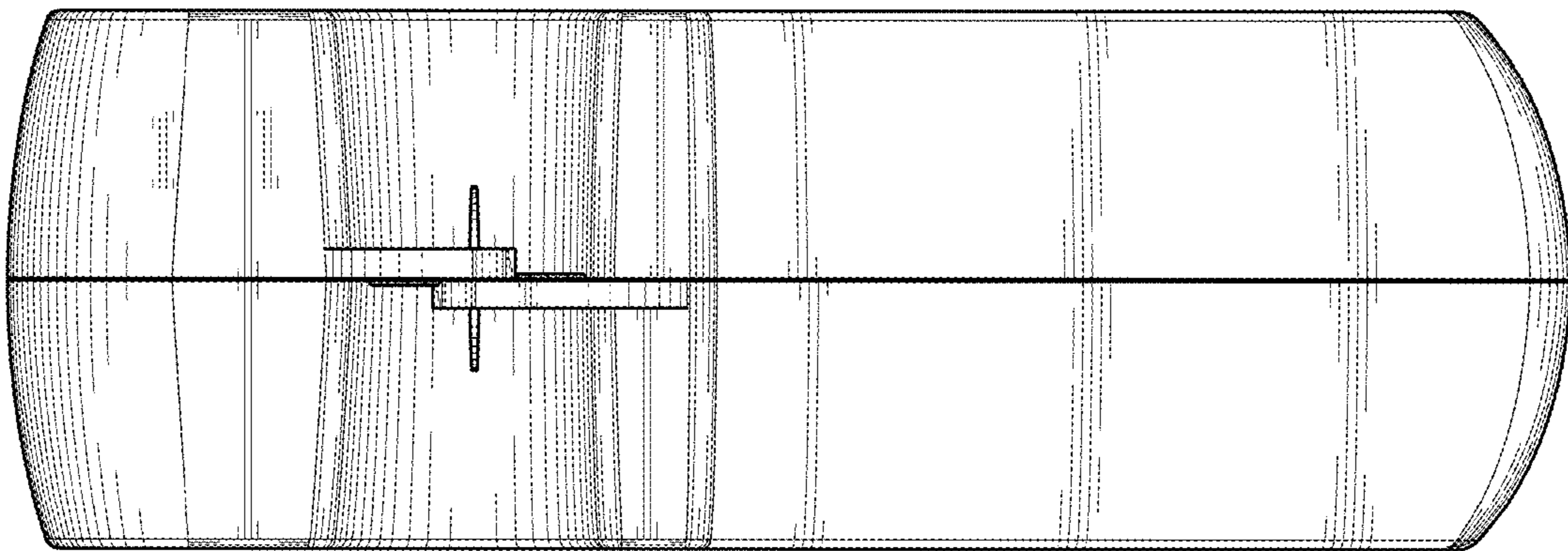


FIG. 2



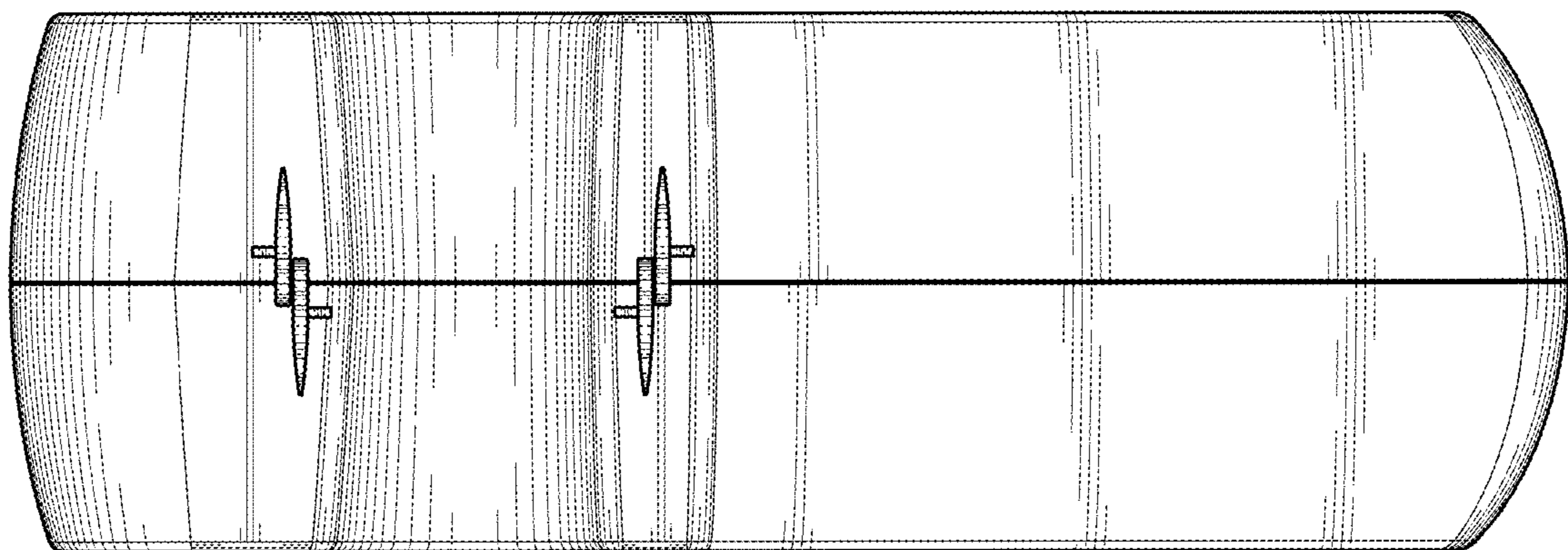


FIG. 3

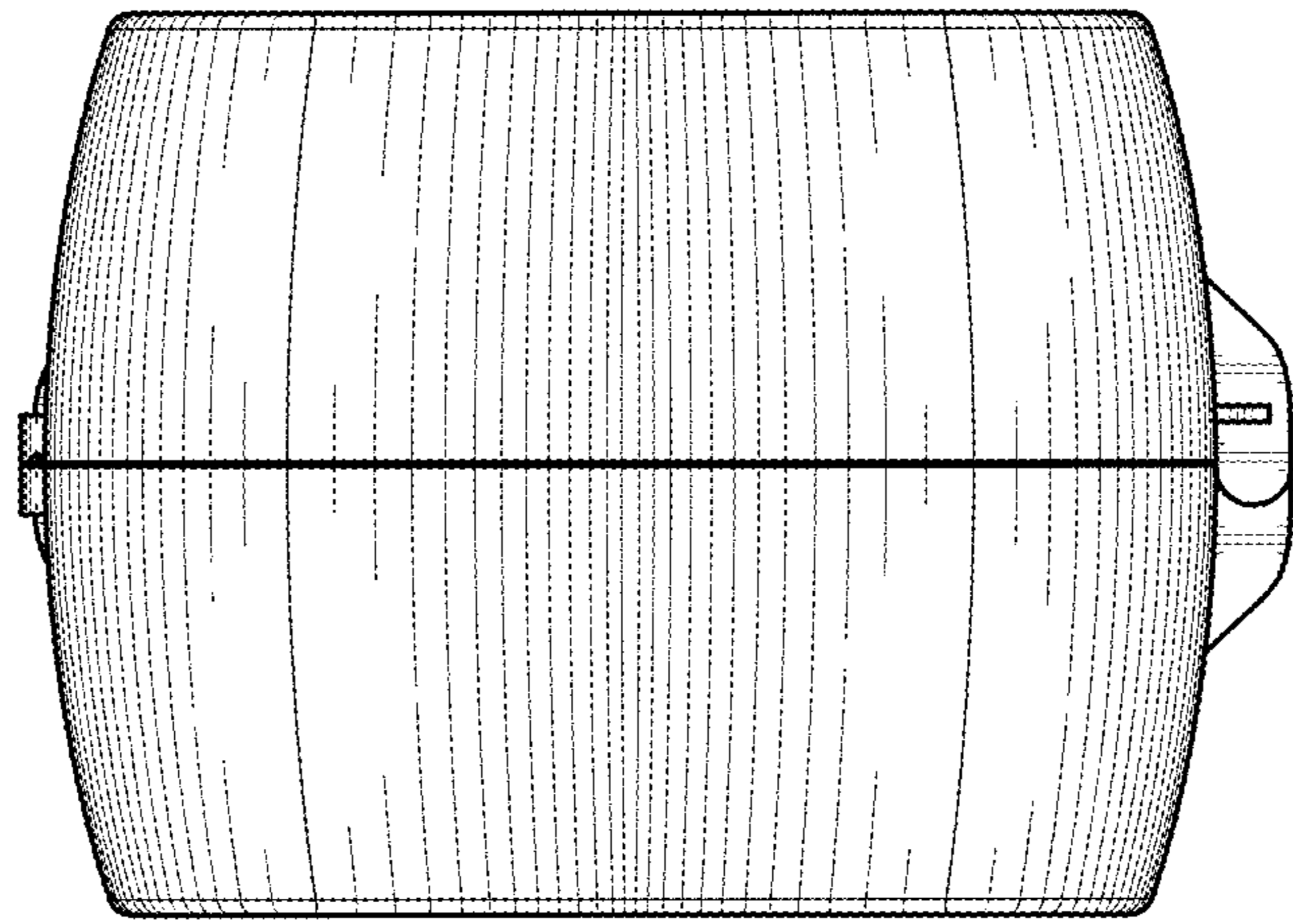


FIG. 4

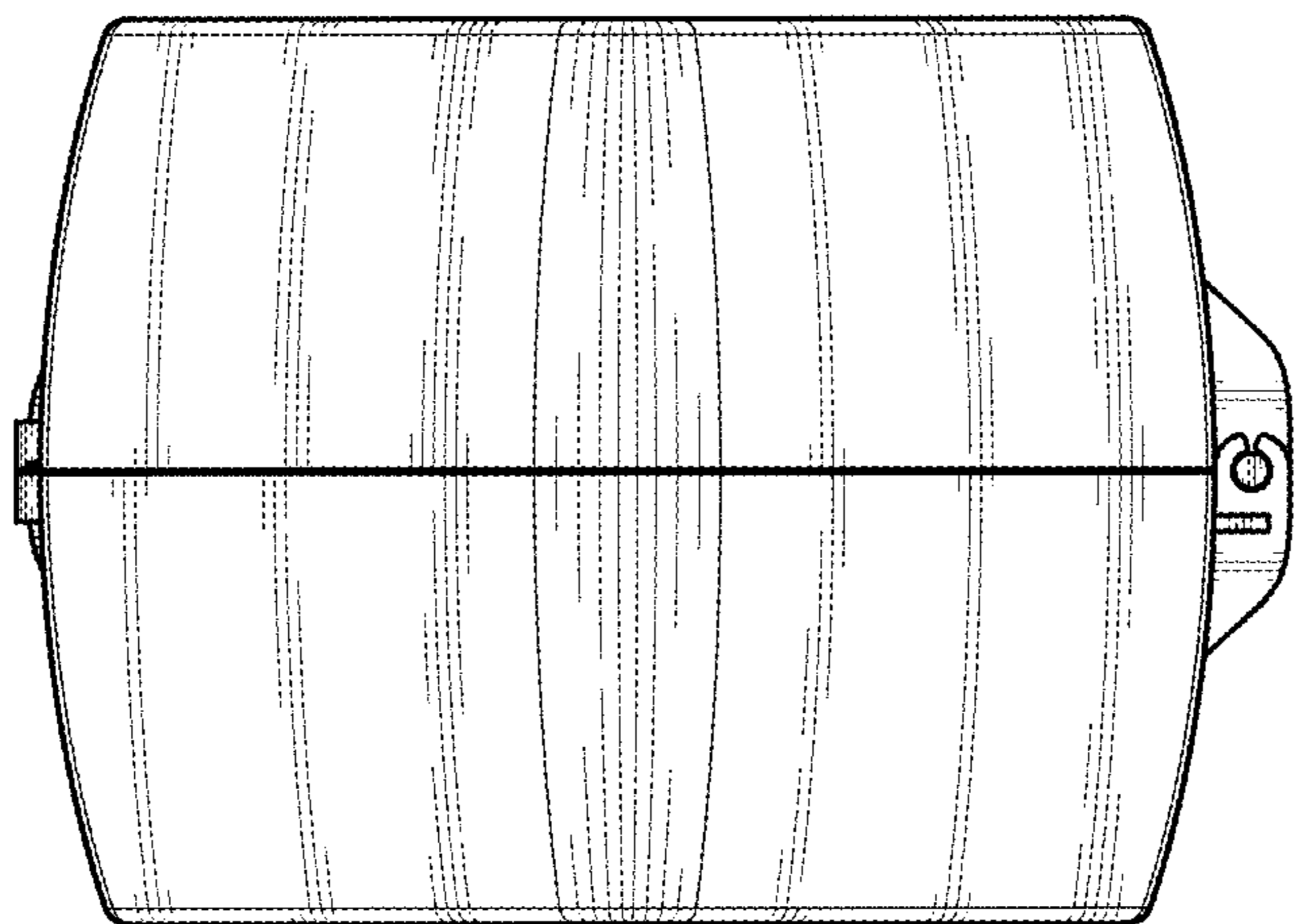


FIG. 5

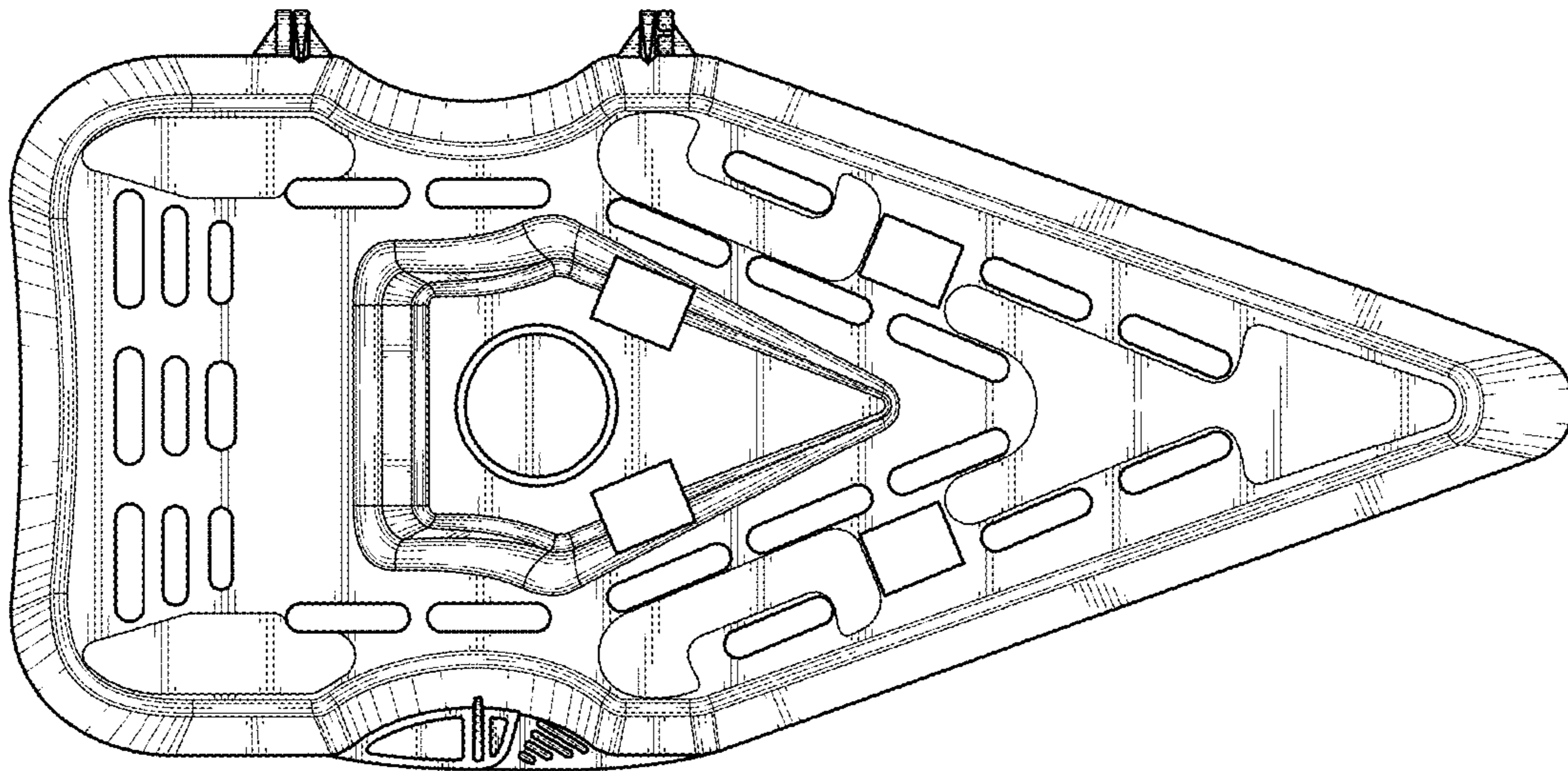


FIG. 6

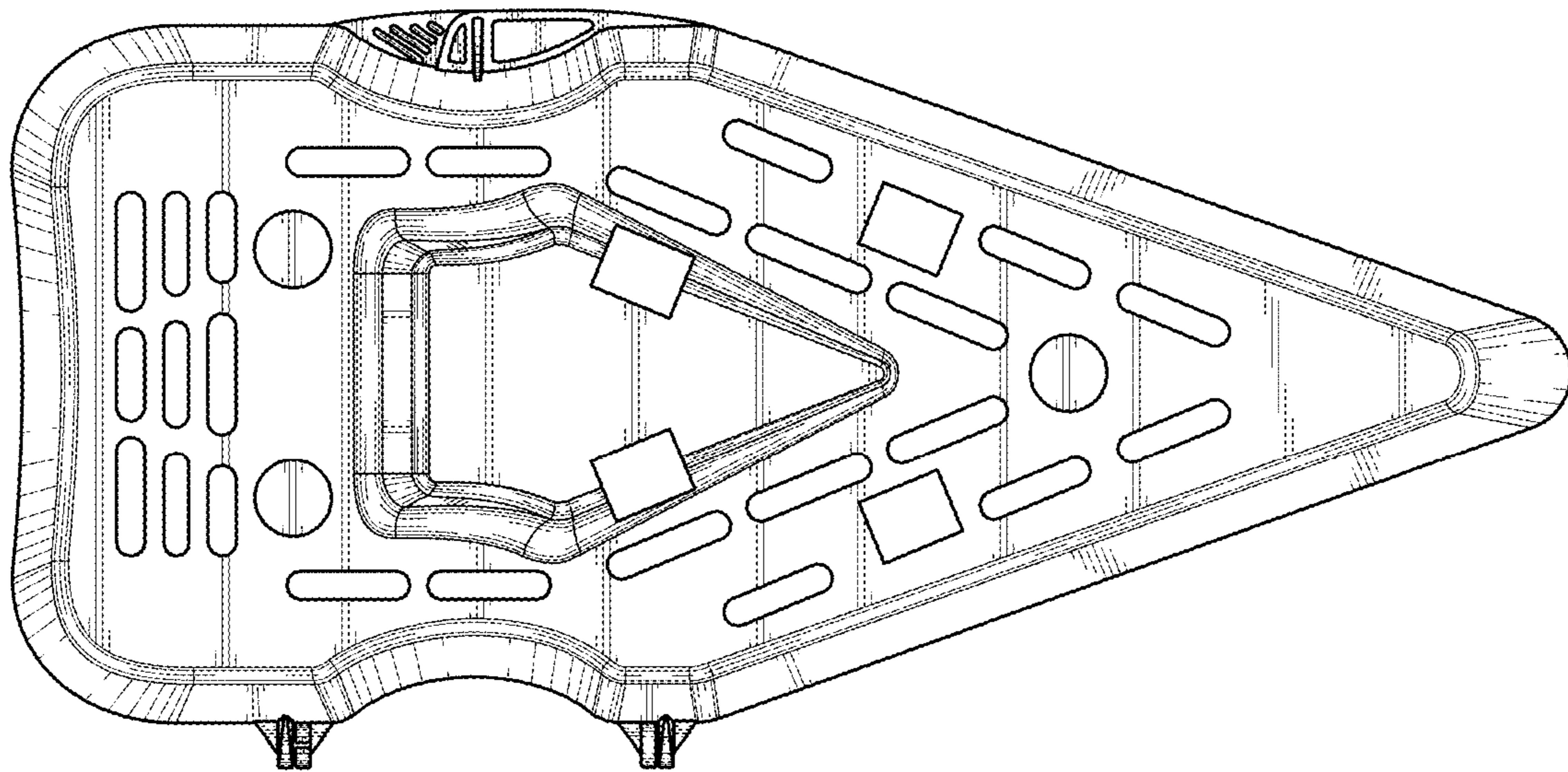


FIG. 7



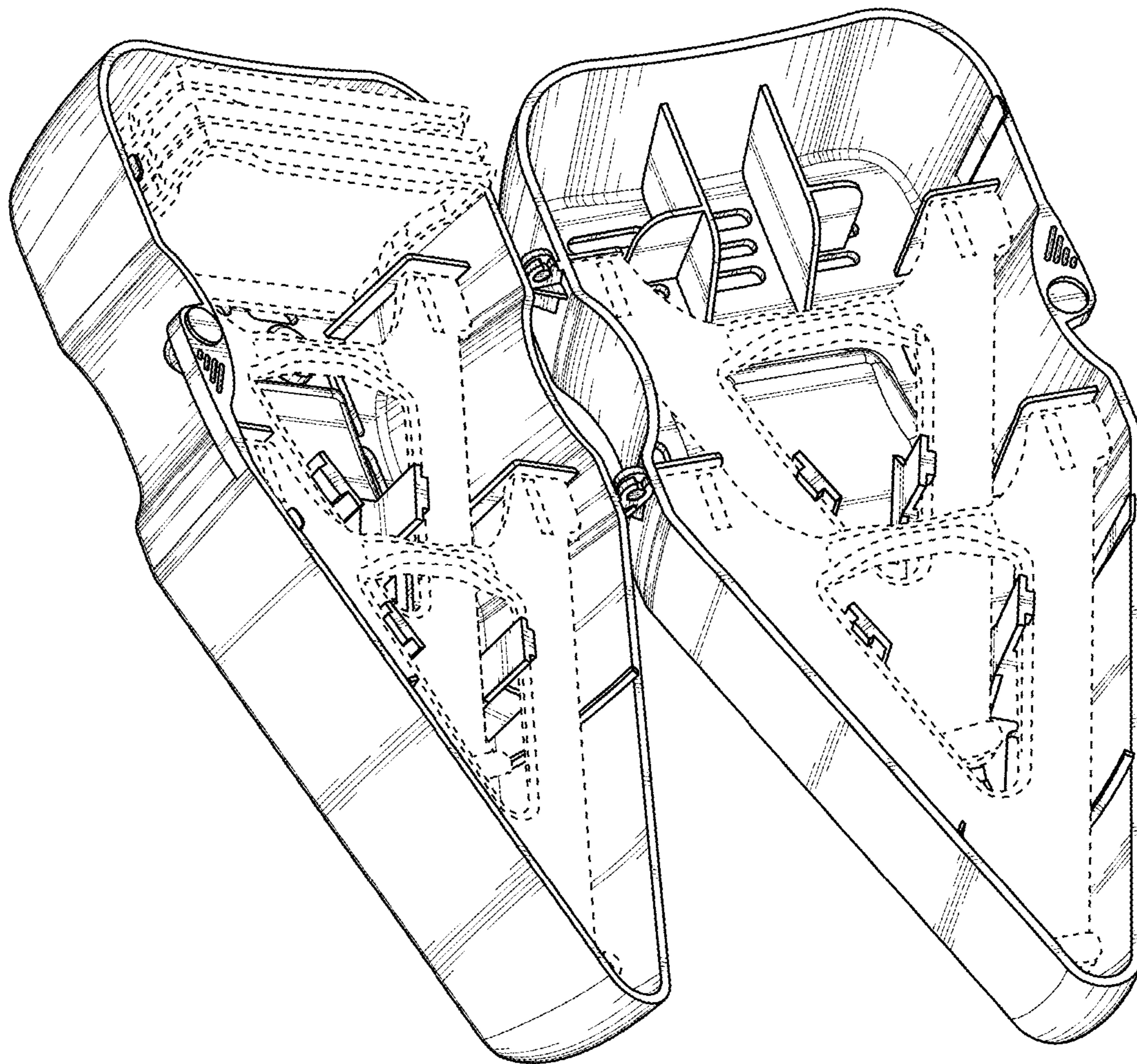


FIG. 8



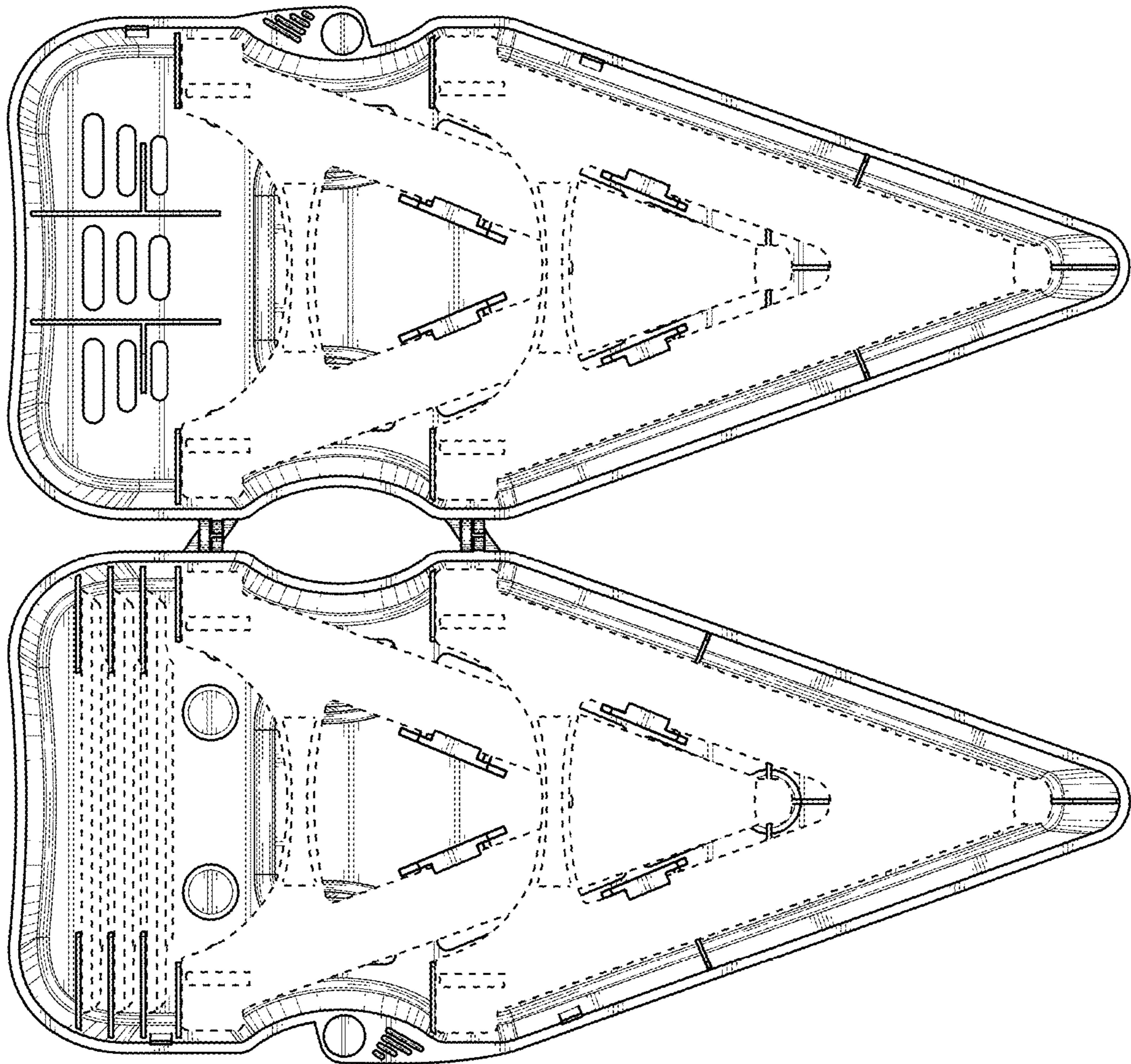


FIG. 9

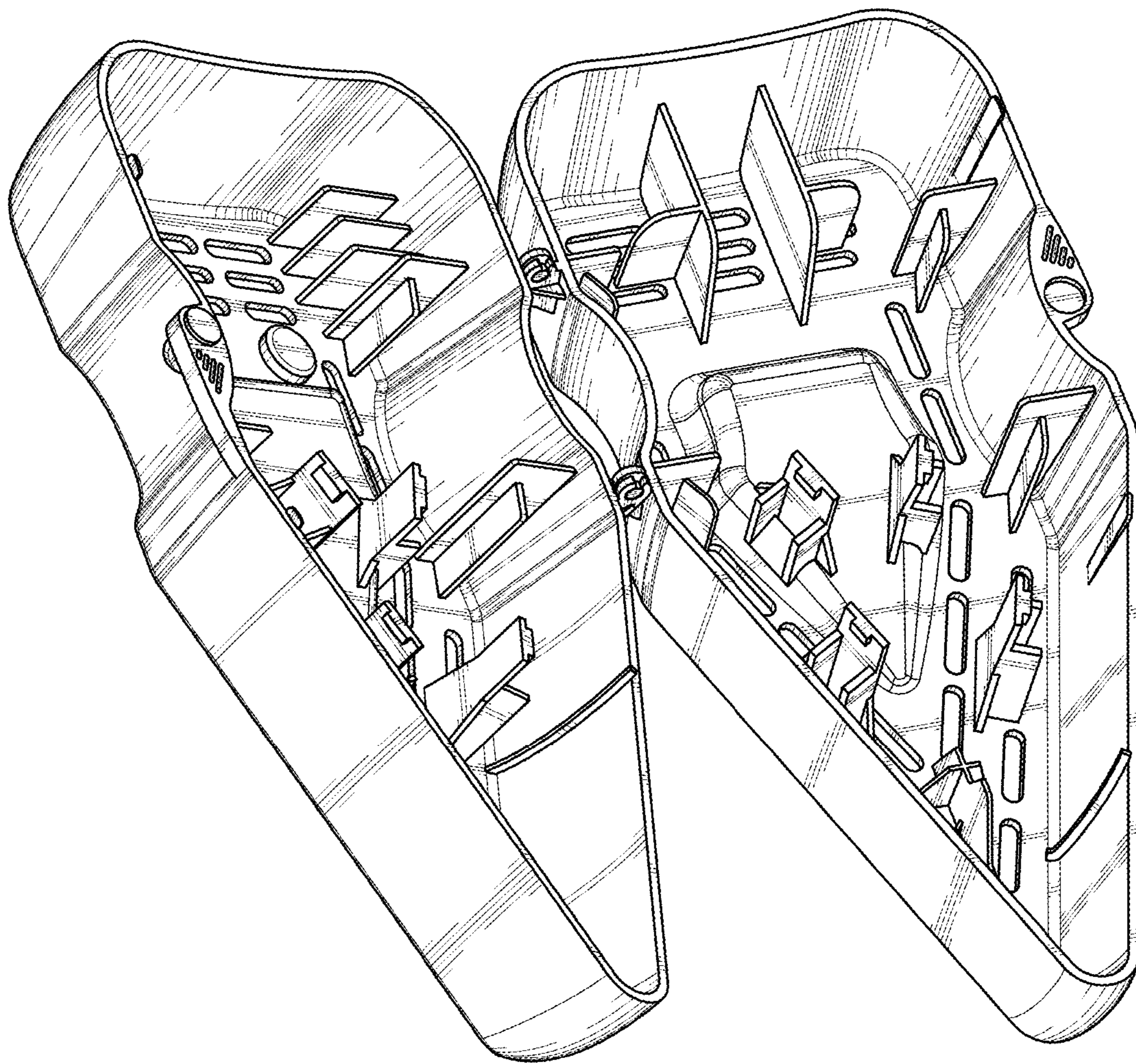


FIG. 10



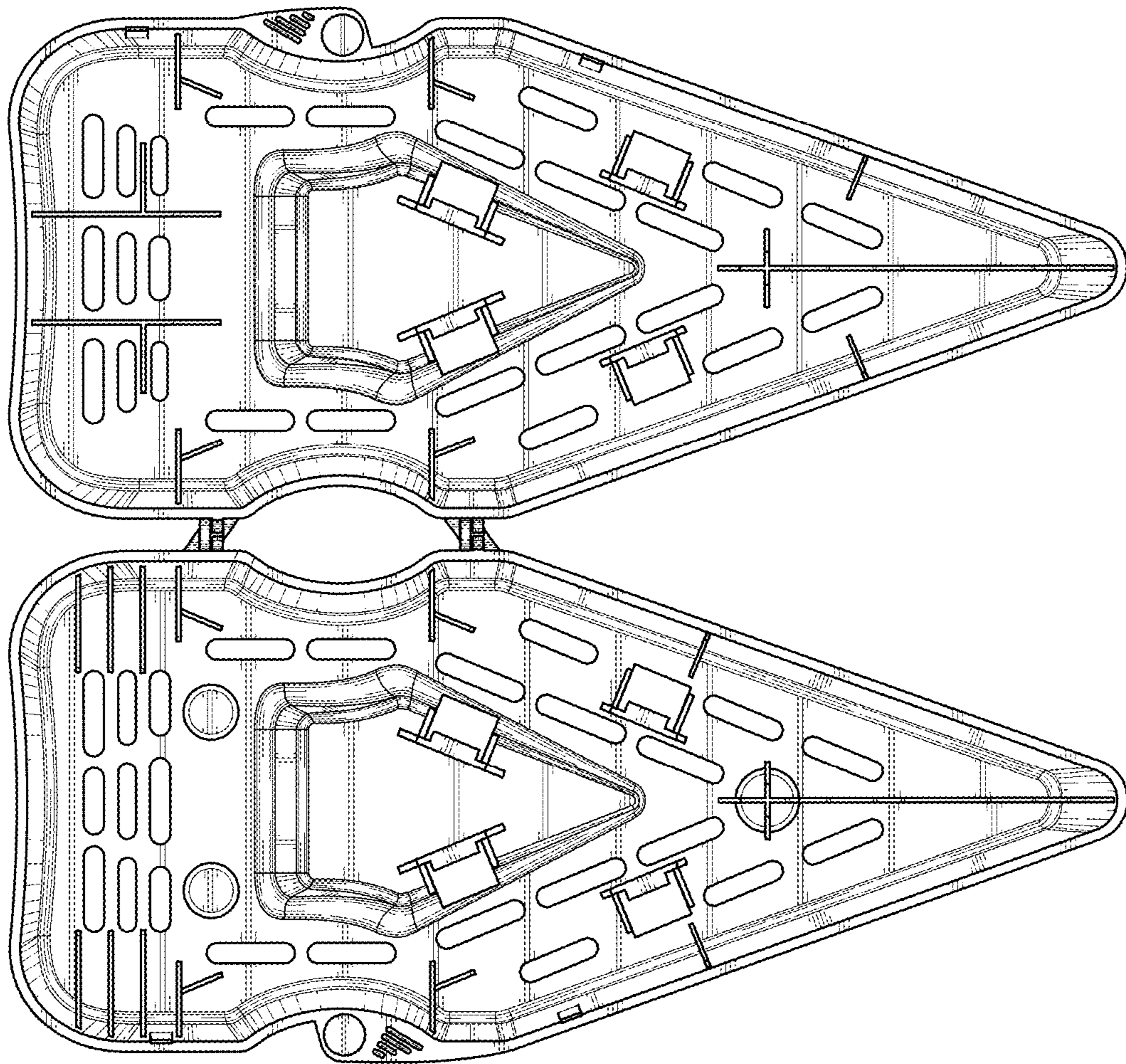


FIG. 11