

US00D767950S

(12) **United States Design Patent** (10) **Patent No.:** **US D767,950 S**  
**Kraemer** (45) **Date of Patent:** **\*\* Oct. 4, 2016**

(54) **CONTAINER**

(74) *Attorney, Agent, or Firm* — Calfee, Halter & Griswold LLP

(71) Applicant: **InterDesign, Inc.**, Solon, OH (US)

(57) **CLAIM**

(72) Inventor: **Kevin Francis Kraemer**, Cuyahoga Falls, OH (US)

I claim the ornamental design for container, as shown and described.

(73) Assignee: **InterDesign, Inc.**, Solon, OH (US)

**DESCRIPTION**

(\*\*) Term: **14 Years**

(21) Appl. No.: **29/487,228**

(22) Filed: **Apr. 7, 2014**

(51) **LOC (10) Cl.** ..... **07-01**

(52) **U.S. Cl.**  
USPC ..... **D7/629**

(58) **Field of Classification Search**  
USPC ..... D3/276–284, 291, 294, 295, 302, 304,  
D3/307–309, 315, 314, 310, 312;  
D7/601–602, 629  
CPC ..... B65D 1/22; B65D 2543/00194; B65D  
2543/00296; B65D 21/0209  
See application file for complete search history.

FIG. 1 is a front/left/top perspective view of a first embodiment of a container;  
FIG. 2 is a rear/right/bottom perspective view thereof;  
FIG. 3 is a front elevational view thereof;  
FIG. 4 is a rear elevational view thereof;  
FIG. 5 is a right side elevational view thereof (a left side elevational view would be a mirror image thereof);  
FIG. 6 is a top plan view thereof; and  
FIG. 7 is a bottom plan view thereof.  
FIG. 8 is a front/left/top perspective view of a second embodiment of a container;  
FIG. 9 is a rear/right/bottom perspective view thereof;  
FIG. 10 is a front elevational view thereof;  
FIG. 11 is a rear elevational view thereof;  
FIG. 12 is a right side elevational view thereof (a left side elevational view would be a mirror image thereof);  
FIG. 13 is a top plan view thereof; and  
FIG. 14 is a bottom plan view thereof.  
FIG. 15 is a front/left/top perspective view of a third embodiment of a container;  
FIG. 16 is a rear/right/bottom perspective view thereof;  
FIG. 17 is a front elevational view thereof;  
FIG. 18 is a rear elevational view thereof;  
FIG. 19 is a right side elevational view thereof (a left side elevational view would be a mirror image thereof);  
FIG. 20 is a top plan view thereof; and  
FIG. 21 is a bottom plan view thereof.  
FIG. 22 is a front/left/top perspective view of a fourth embodiment of a container;  
FIG. 23 is a rear/right/bottom perspective view thereof;  
FIG. 24 is a front elevational view thereof;  
FIG. 25 is a rear elevational view thereof;  
FIG. 26 is a right side elevational view thereof (a left side elevational view would be a mirror image thereof);  
FIG. 27 is a top plan view thereof; and

(56) **References Cited**

**U.S. PATENT DOCUMENTS**

D593,324 S *	6/2009	Simas	.....	D3/302
D597,383 S *	8/2009	Masterton	.....	D3/272
D643,628 S *	8/2011	Monarch	.....	D3/302
D654,690 S *	2/2012	Sofy	.....	D3/309
8,381,909 B2 *	2/2013	Hernandez	.....	B65D 21/0209 206/207
D684,406 S *	6/2013	Cockrell	.....	D6/525
D748,916 S *	2/2016	Nilsson	.....	D3/302
D749,944 S *	2/2016	Kummerfeldt	.....	D9/432
2007/0187277 A1 *	8/2007	Furlong	.....	B65D 21/022 206/515
2013/0063012 A1 *	3/2013	Lu	.....	B62B 3/005 312/334.7

\* cited by examiner

*Primary Examiner* — Kelley Donnelly

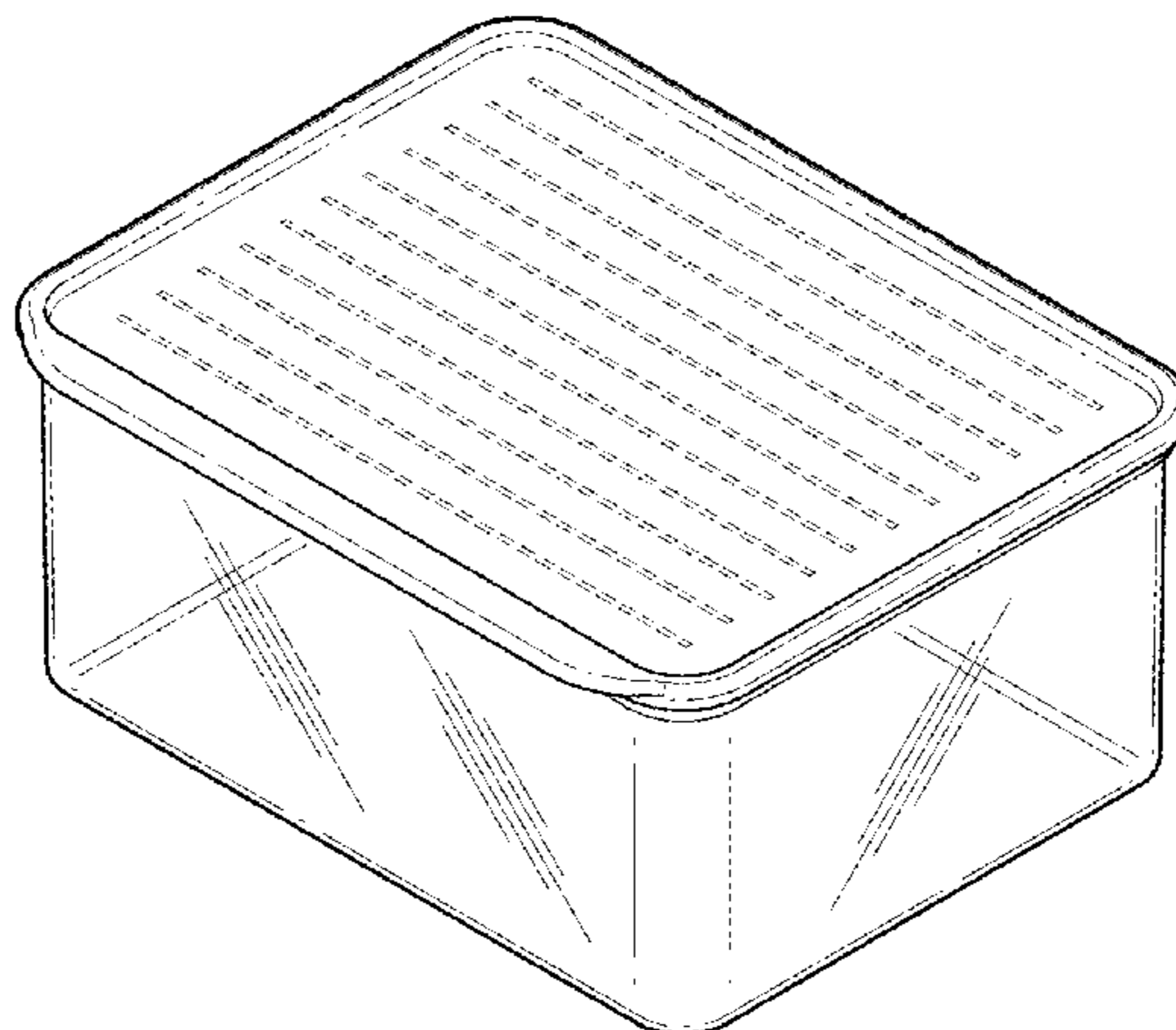
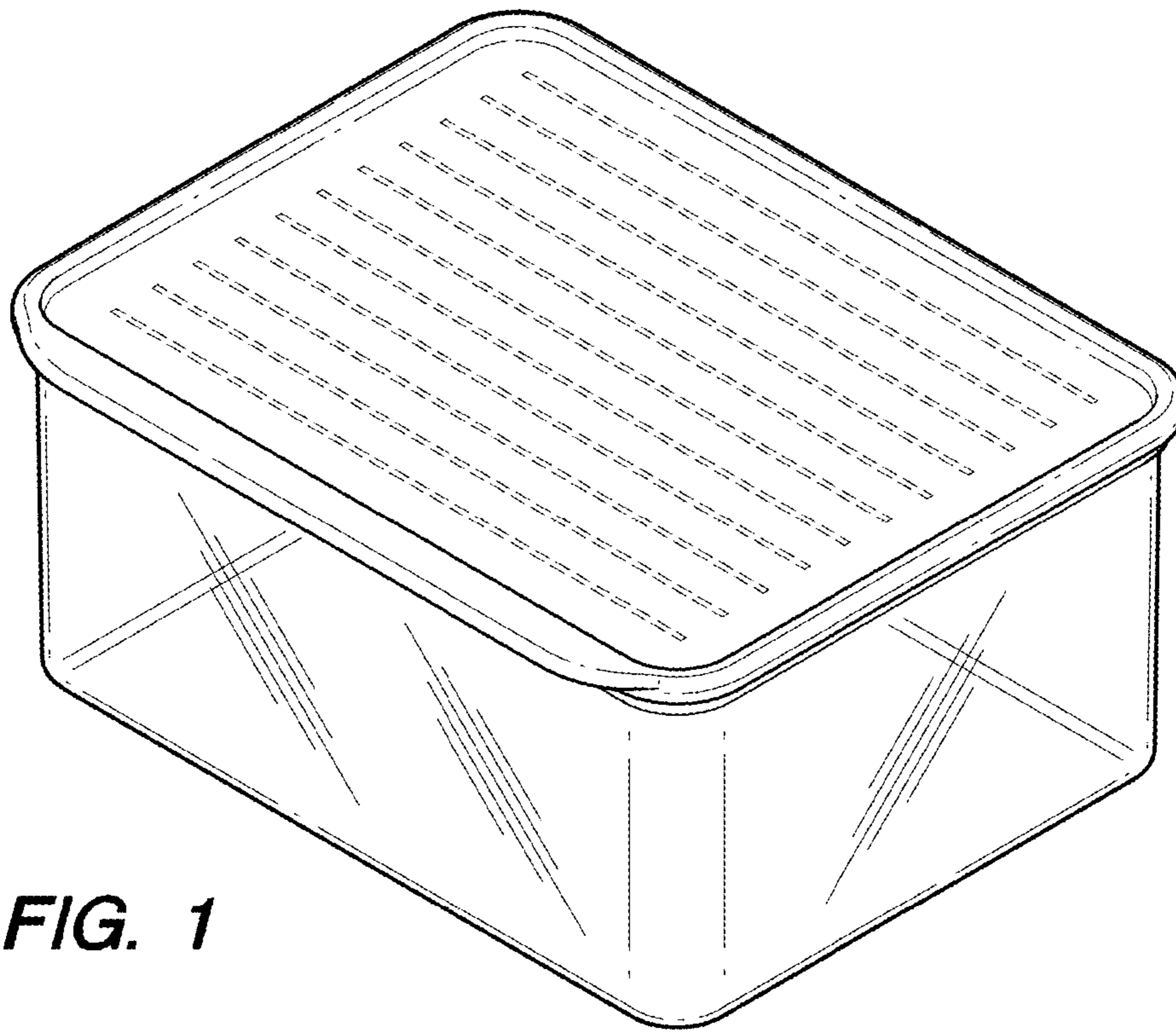


FIG. 28 is a bottom plan view thereof.  
FIG. 29 is a front/left/top perspective view of a fifth embodiment of a container;  
FIG. 30 is a rear/right/bottom perspective view thereof;  
FIG. 31 is a front elevational view thereof;  
FIG. 32 is a rear elevational view thereof;  
FIG. 33 is a right side elevational view thereof (a left side elevational view would be a mirror image thereof);  
FIG. 34 is a top plan view thereof; and  
FIG. 35 is a bottom plan view thereof.  
FIG. 36 is a front/left/top perspective view of a sixth embodiment of a container;  
FIG. 37 is a rear/right/bottom perspective view thereof;  
FIG. 38 is a front elevational view thereof;  
FIG. 39 is a rear elevational view thereof;  
FIG. 40 is a right side elevational view thereof (a left side elevational view would be a mirror image thereof);  
FIG. 41 is a top plan view thereof; and  
FIG. 42 is a bottom plan view thereof.  
FIG. 43 is a front/left/top perspective view of a seventh embodiment of a container;  
FIG. 44 is a rear/right/bottom perspective view thereof;  
FIG. 45 is a front elevational view thereof;  
FIG. 46 is a rear elevational view thereof;

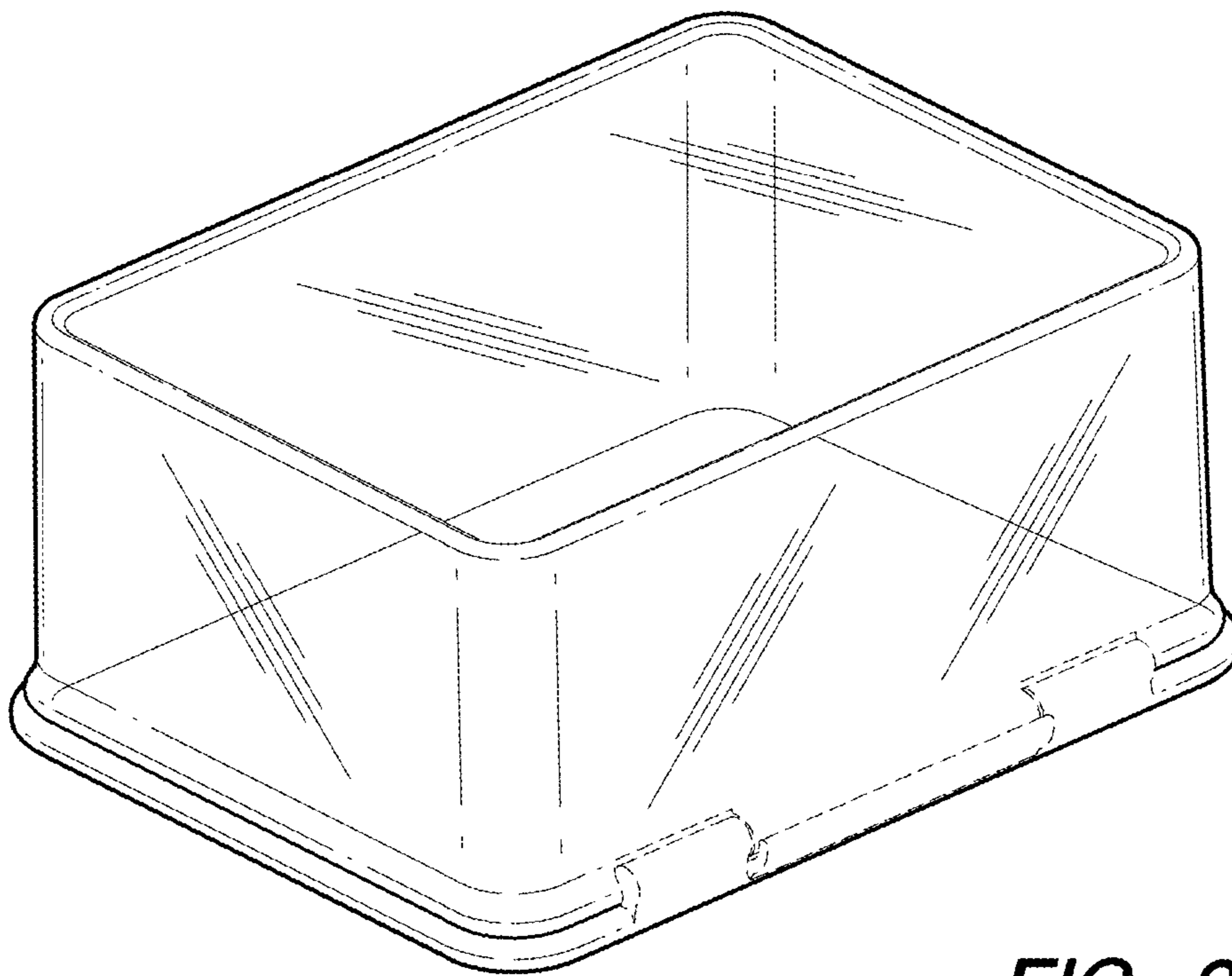
FIG. 47 is a right side elevational view thereof (a left side elevational view would be a mirror image thereof);  
FIG. 48 is a top plan view thereof; and  
FIG. 49 is a bottom plan view thereof.  
FIG. 50 is a front/left/top perspective view of a eighth embodiment of a container;  
FIG. 51 is a rear/right/bottom perspective view thereof;  
FIG. 52 is a front elevational view thereof;  
FIG. 53 is a rear elevational view thereof;  
FIG. 54 is a right side elevational view thereof (a left side elevational view would be a mirror image thereof);  
FIG. 55 is a top plan view thereof; and  
FIG. 56 is a bottom plan view thereof.  
FIG. 57 is a front/left/top perspective view of a ninth embodiment of a container;  
FIG. 58 is a rear/right/bottom perspective view thereof;  
FIG. 59 is a front elevational view thereof;  
FIG. 60 is a rear elevational view thereof;  
FIG. 61 is a right side elevational view thereof (a left side elevational view would be a mirror image thereof);  
FIG. 62 is a top plan view thereof; and  
FIG. 63 is a bottom plan view thereof.

**1 Claim, 36 Drawing Sheets**

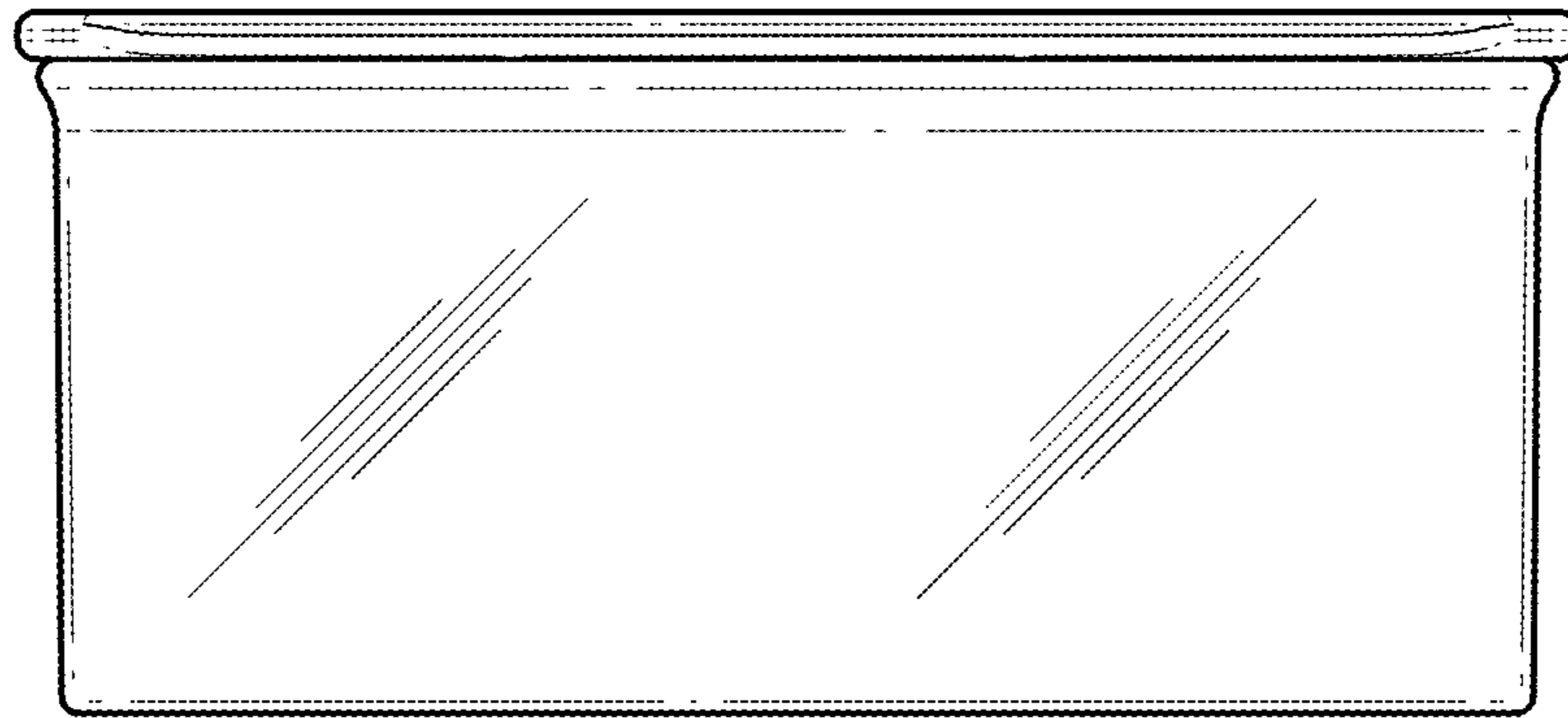




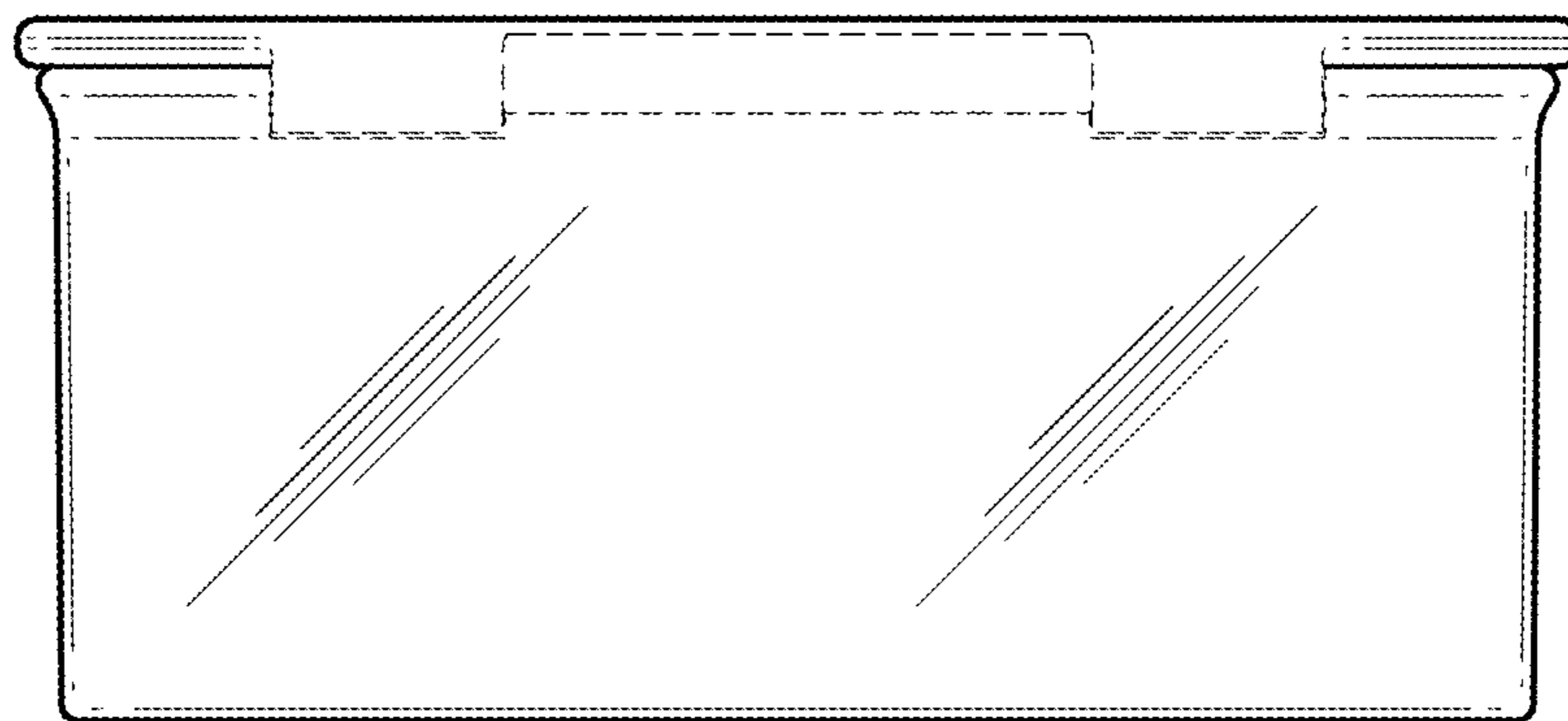
**FIG. 1**



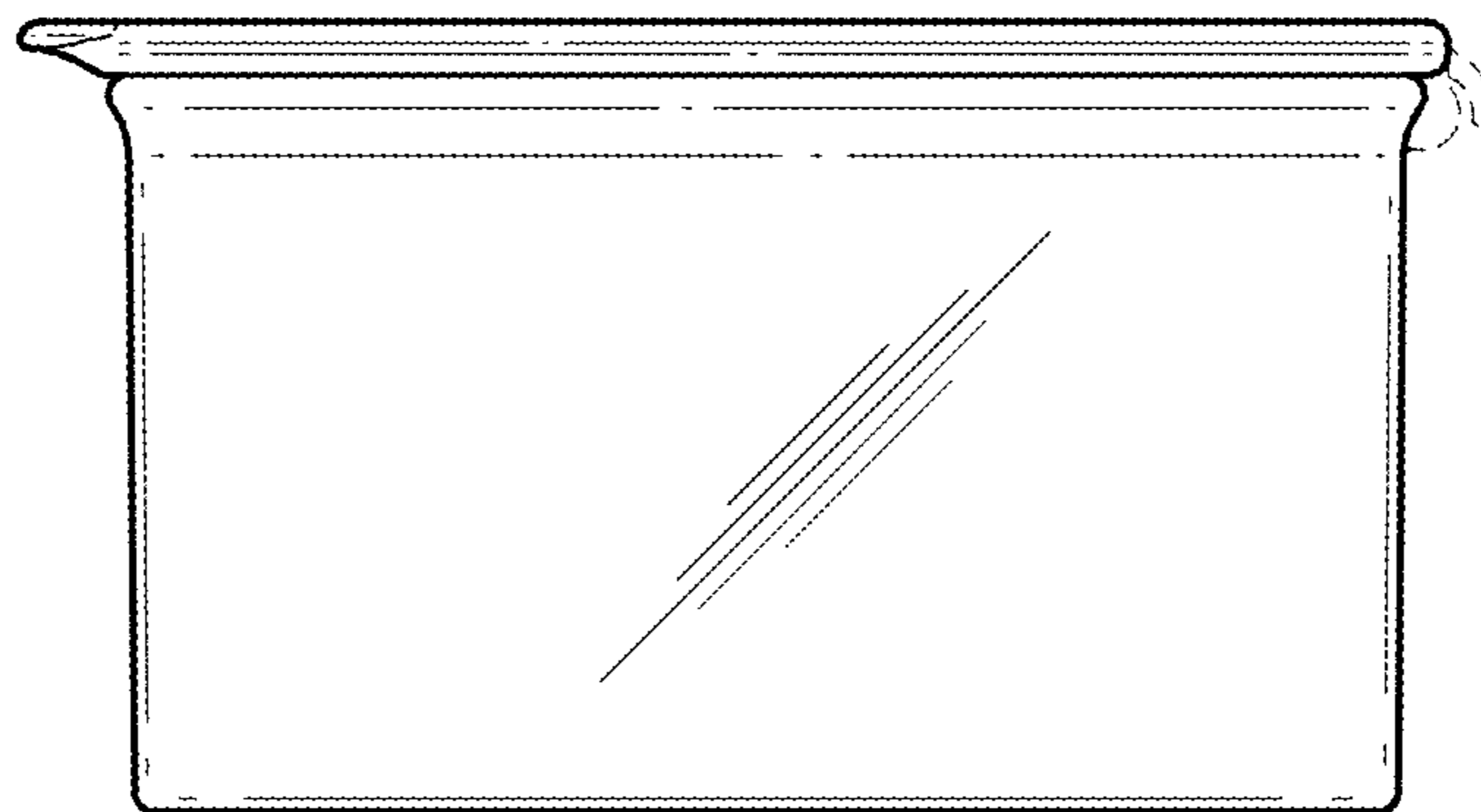
**FIG. 2**



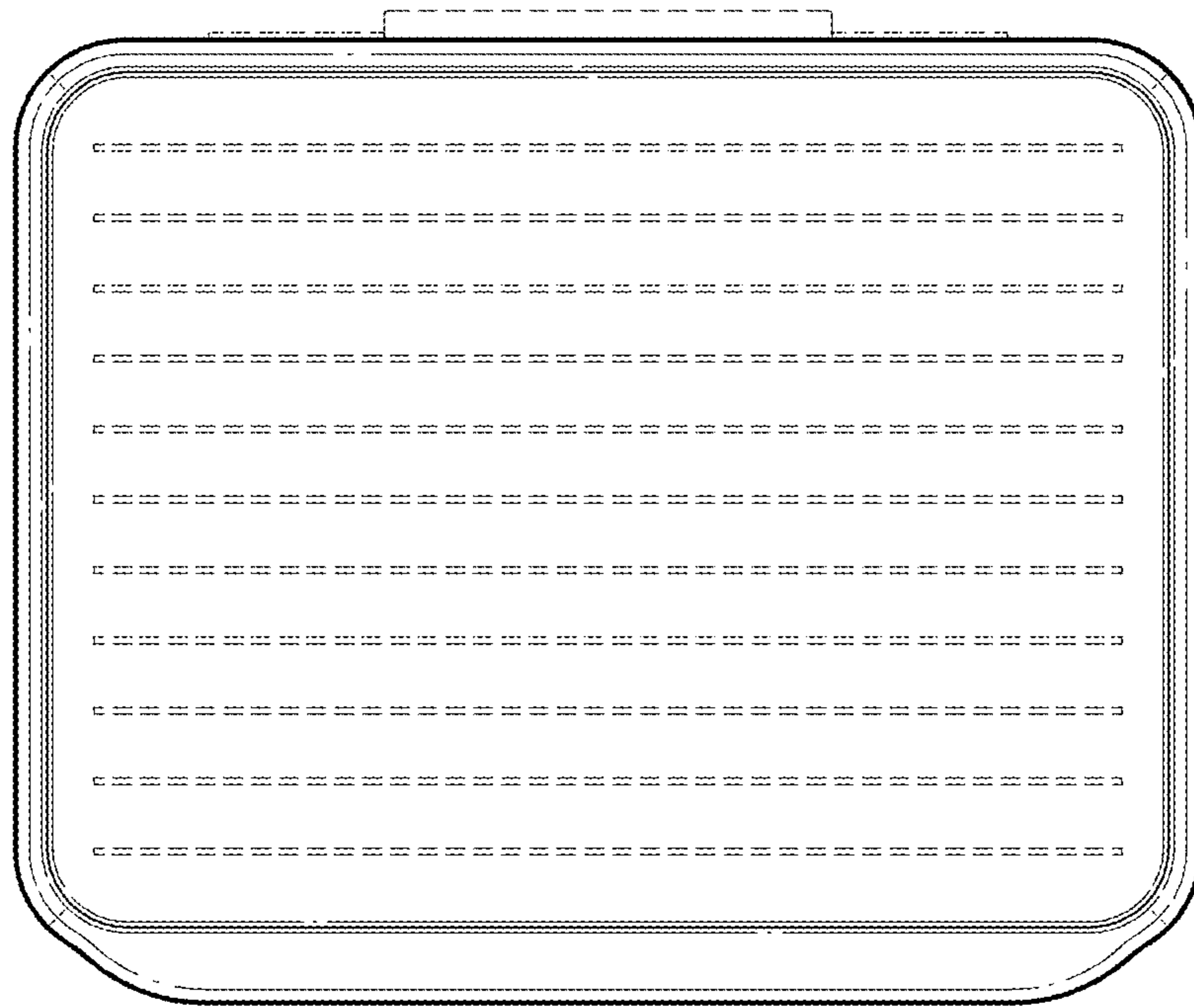
**FIG. 3**



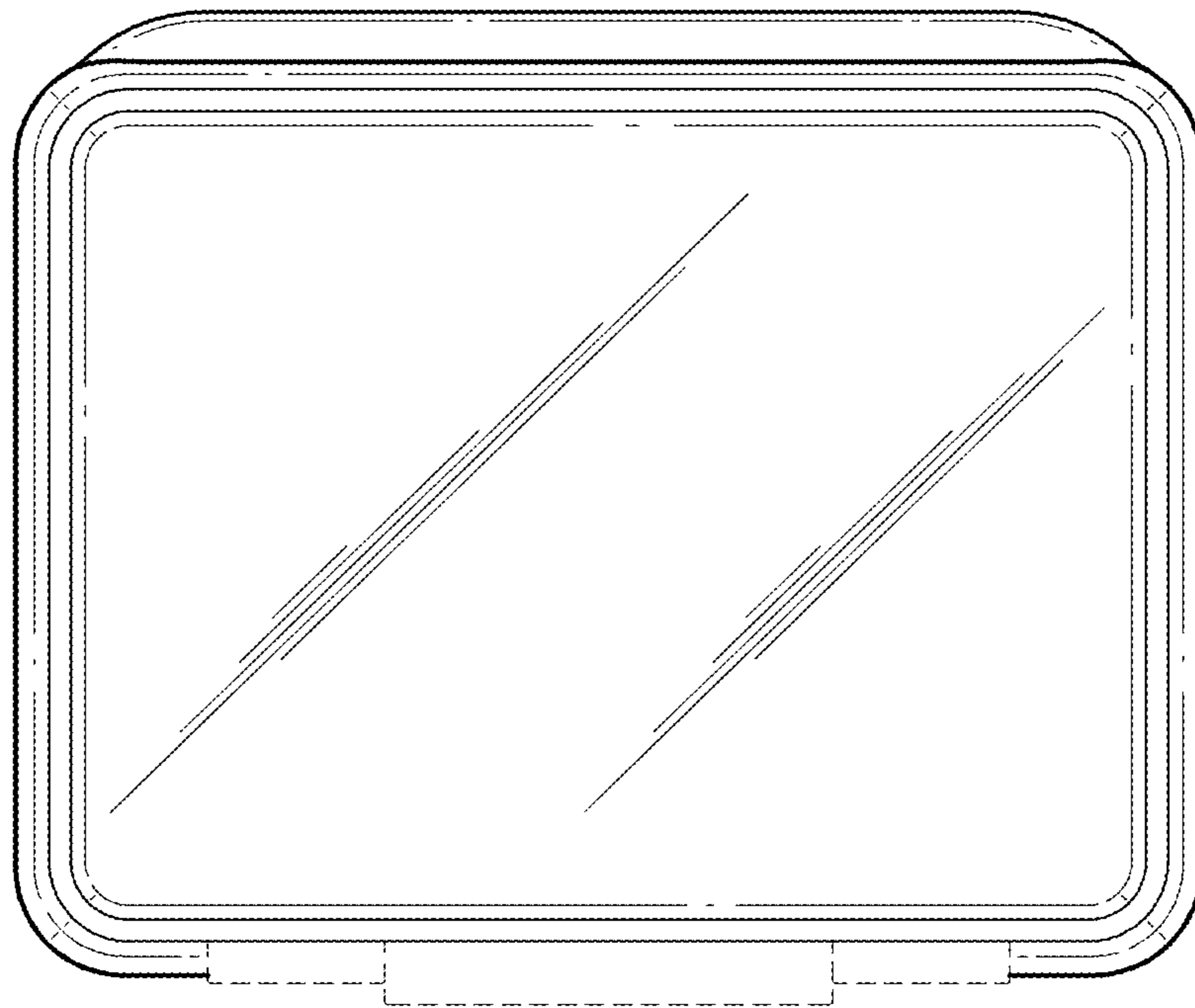
**FIG. 4**



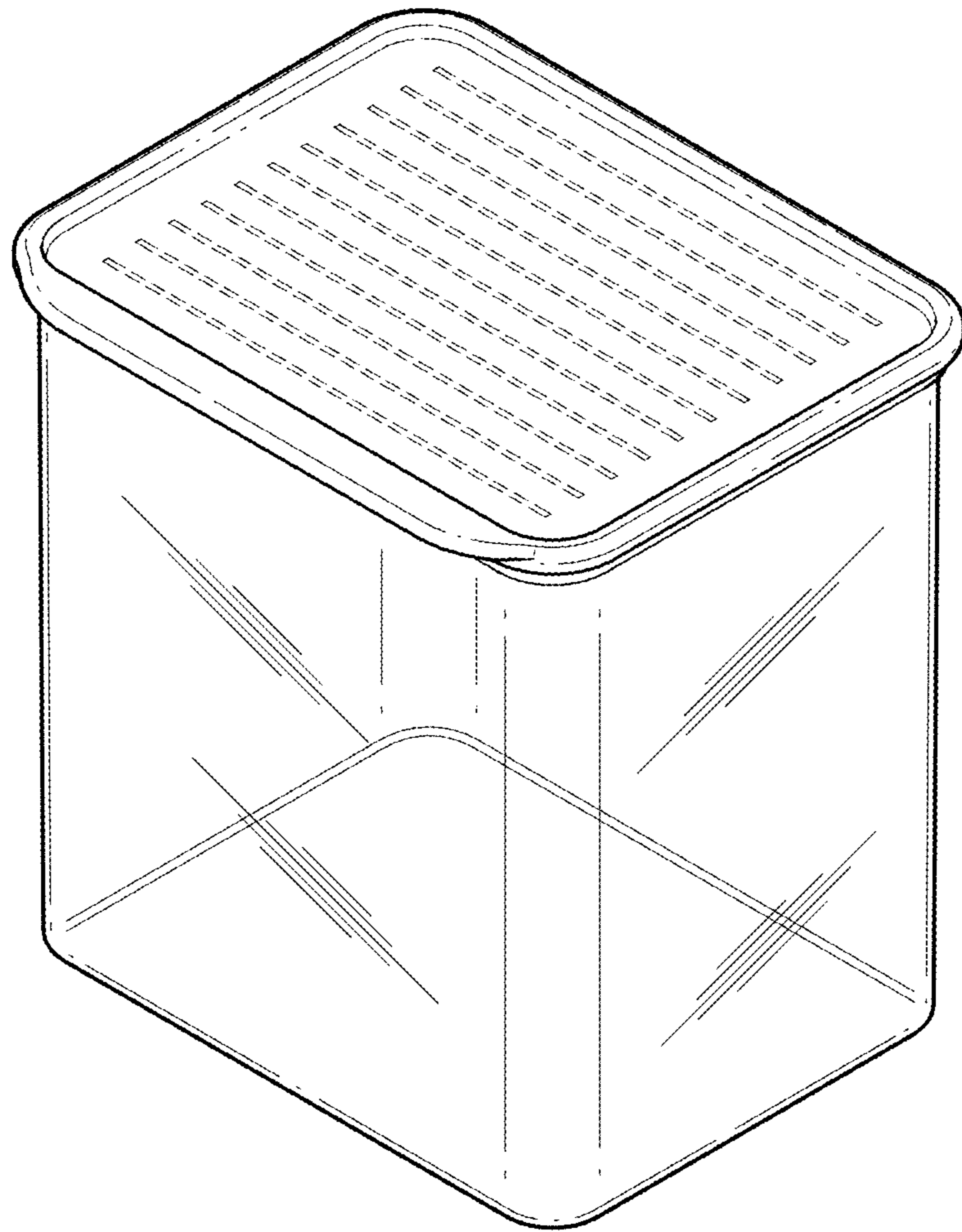
**FIG. 5**



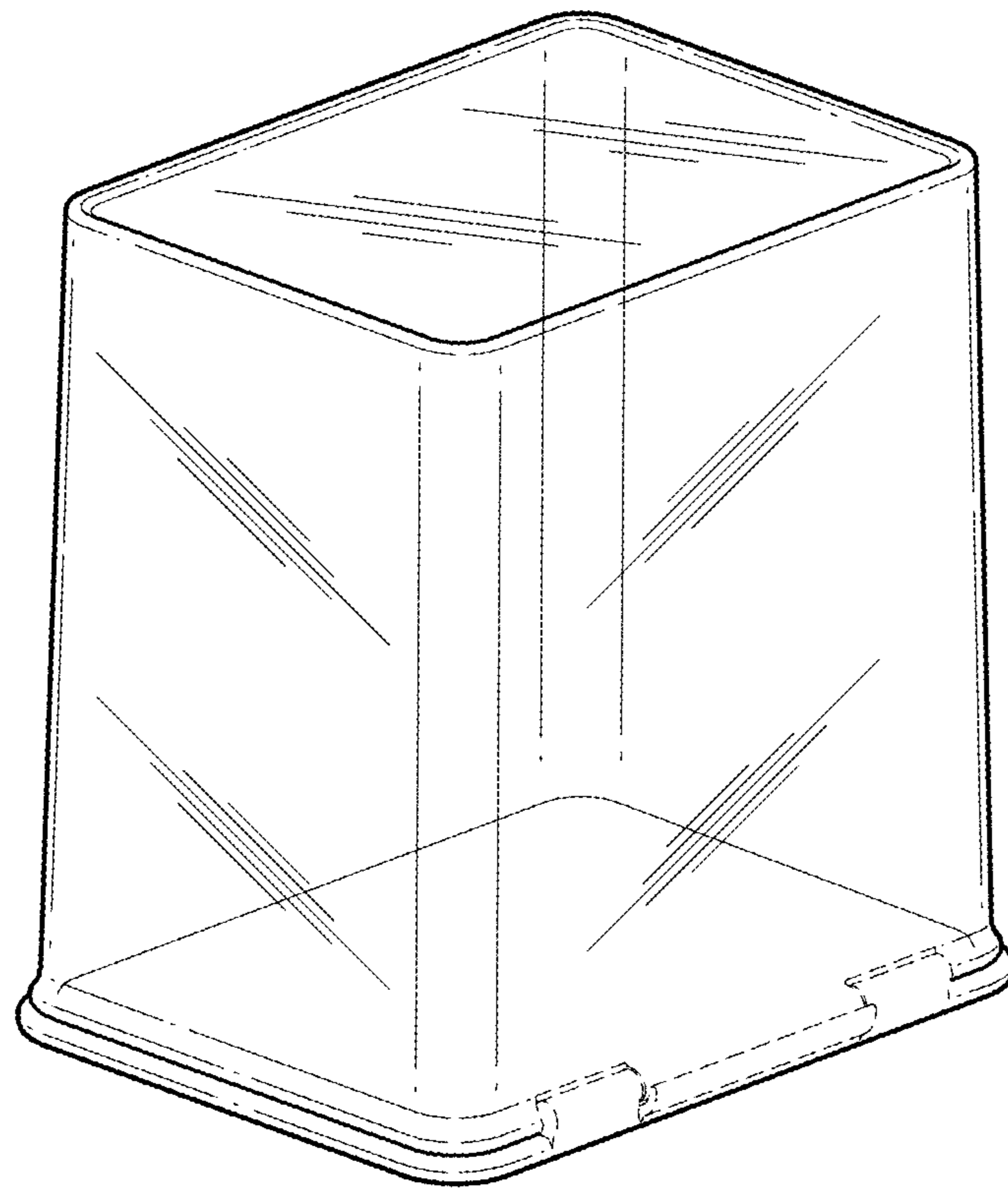
**FIG. 6**



**FIG. 7**

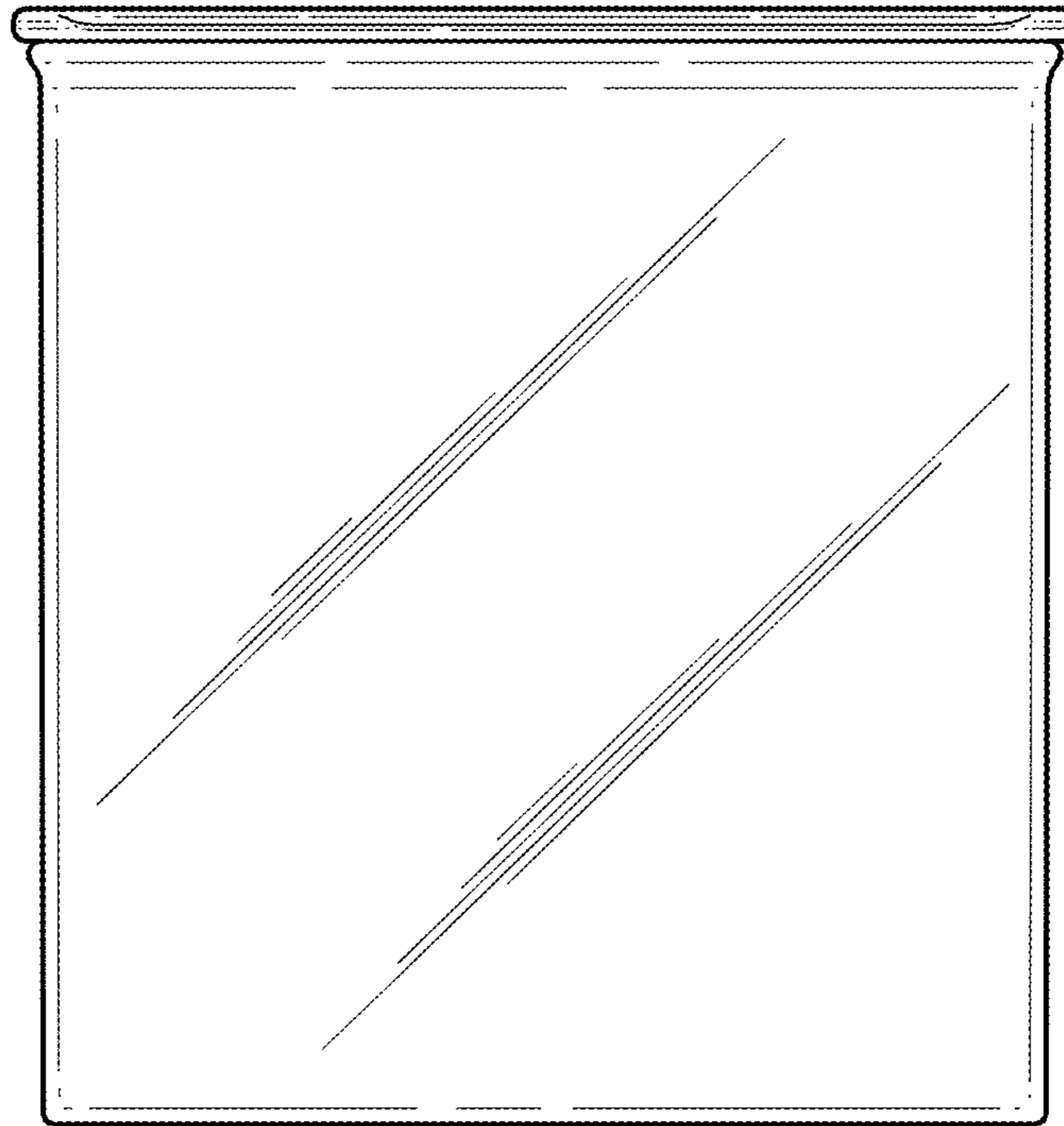


**FIG. 8**

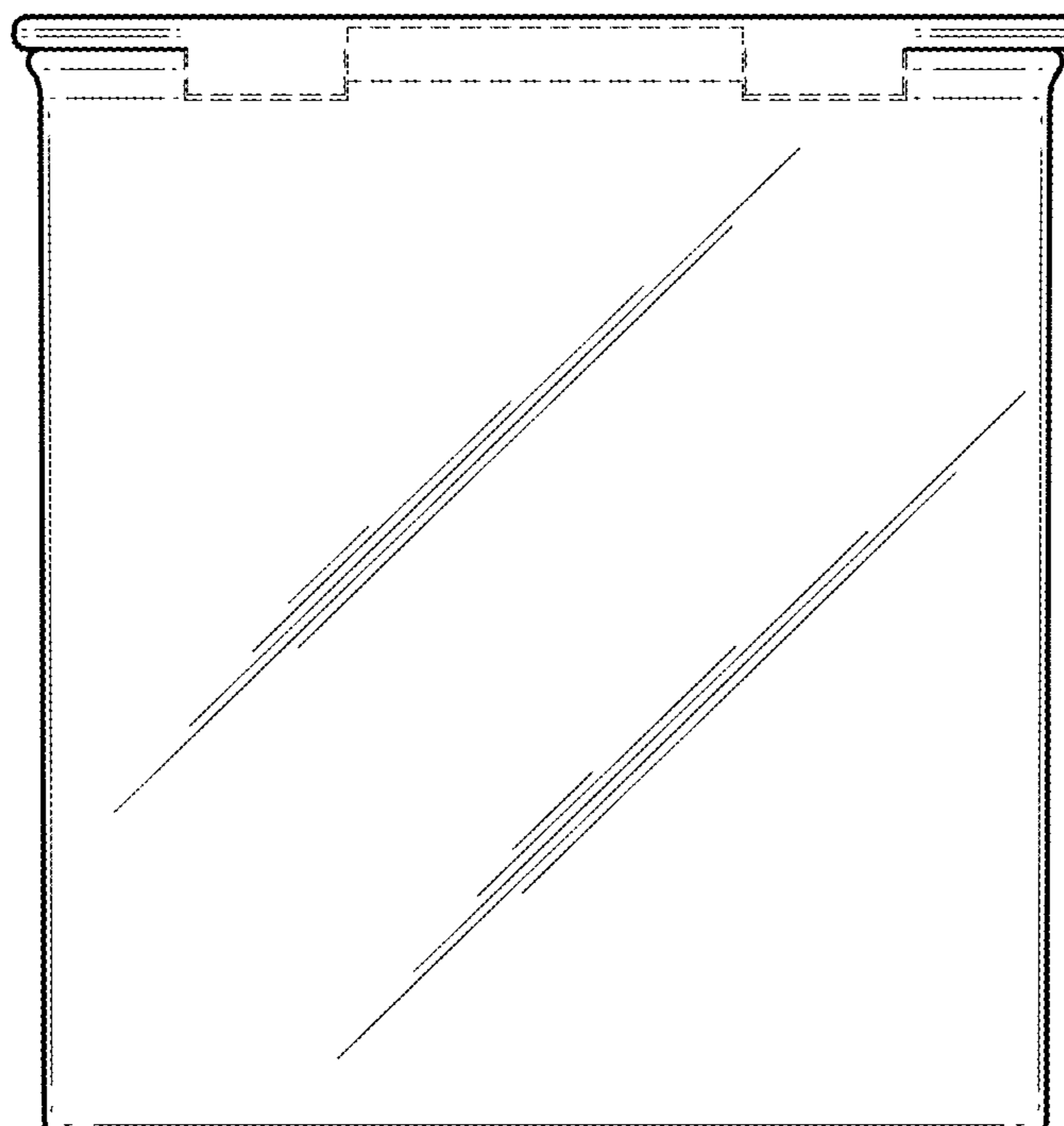


**FIG. 9**



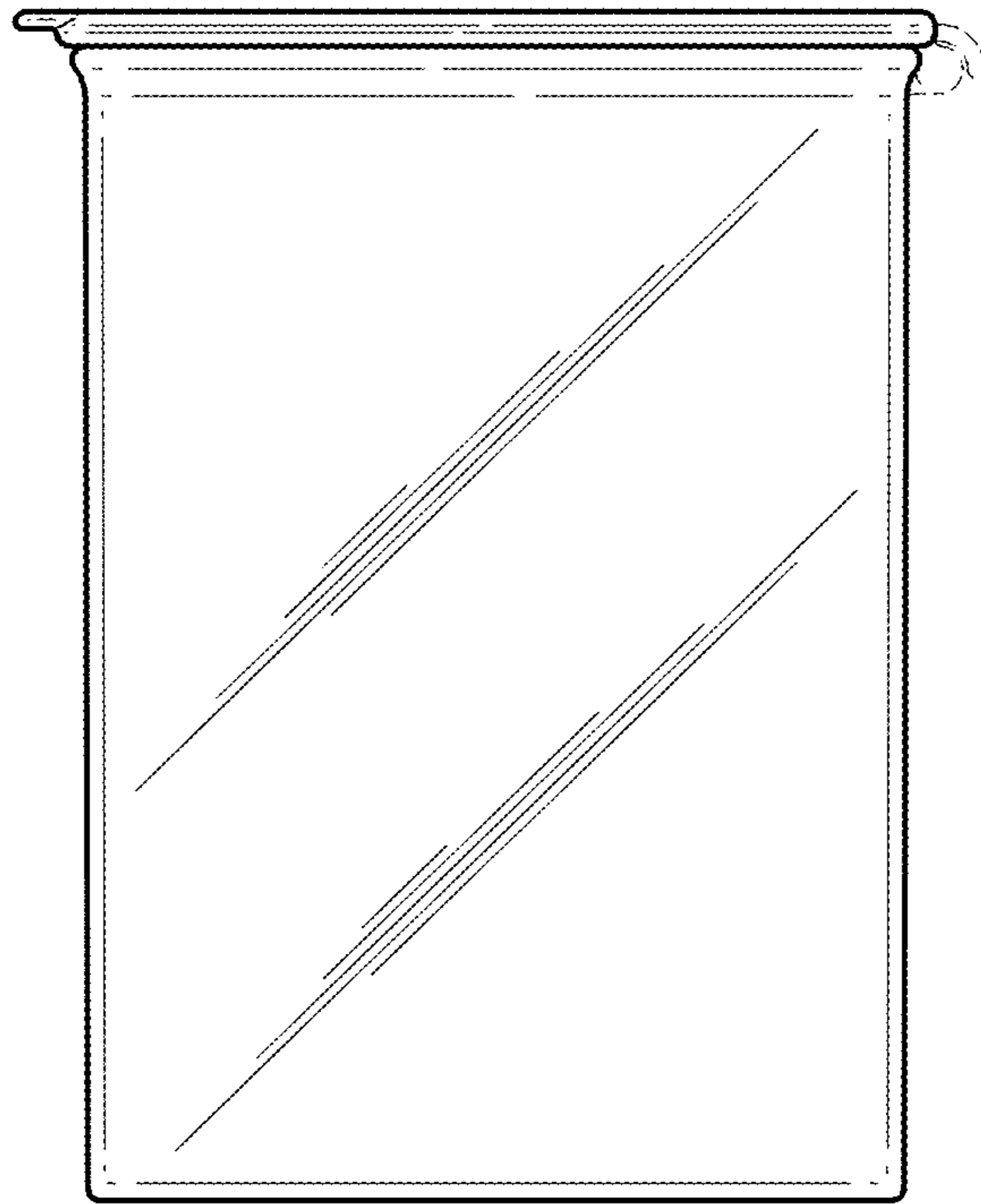


**FIG. 10**

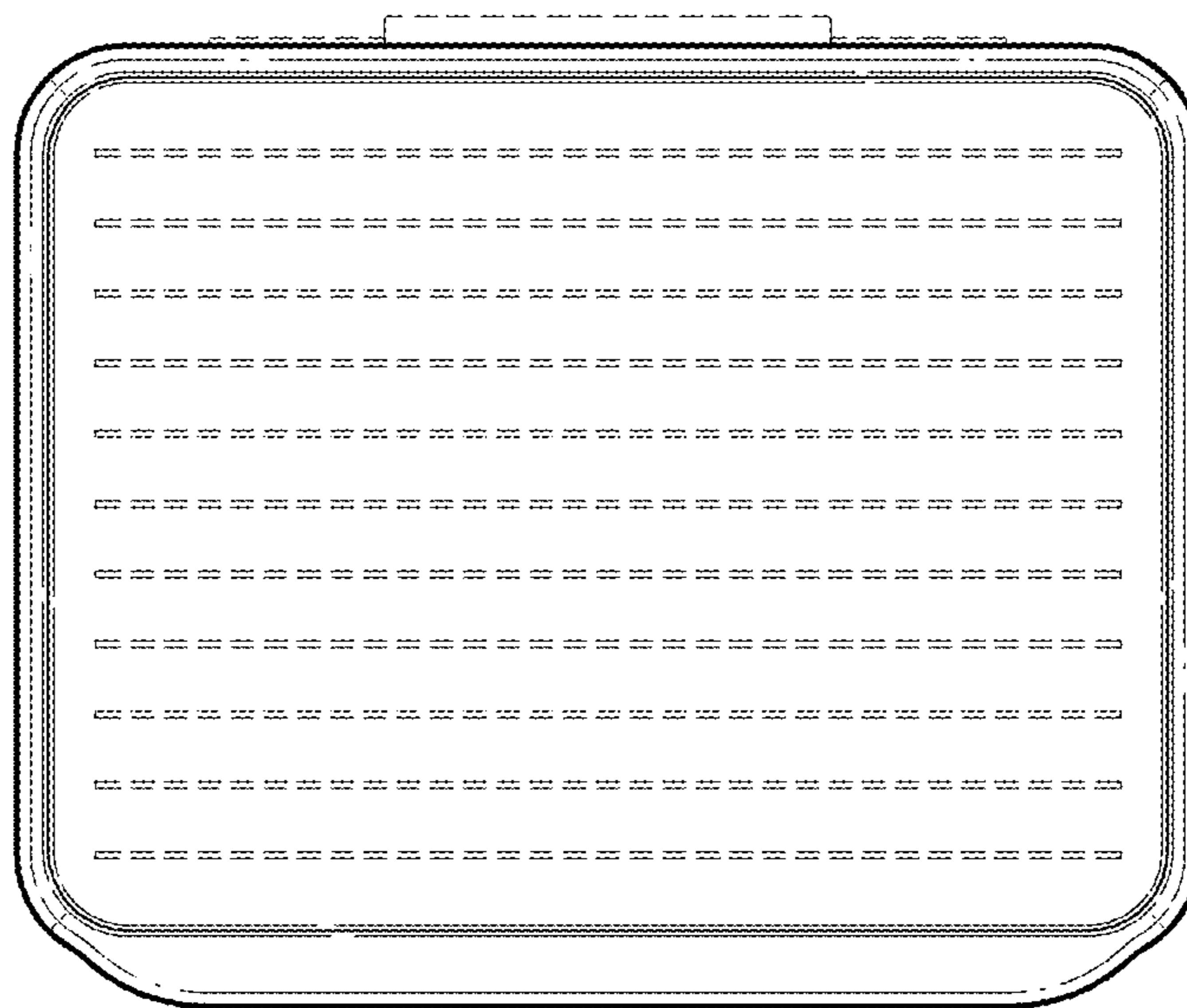


**FIG. 11**

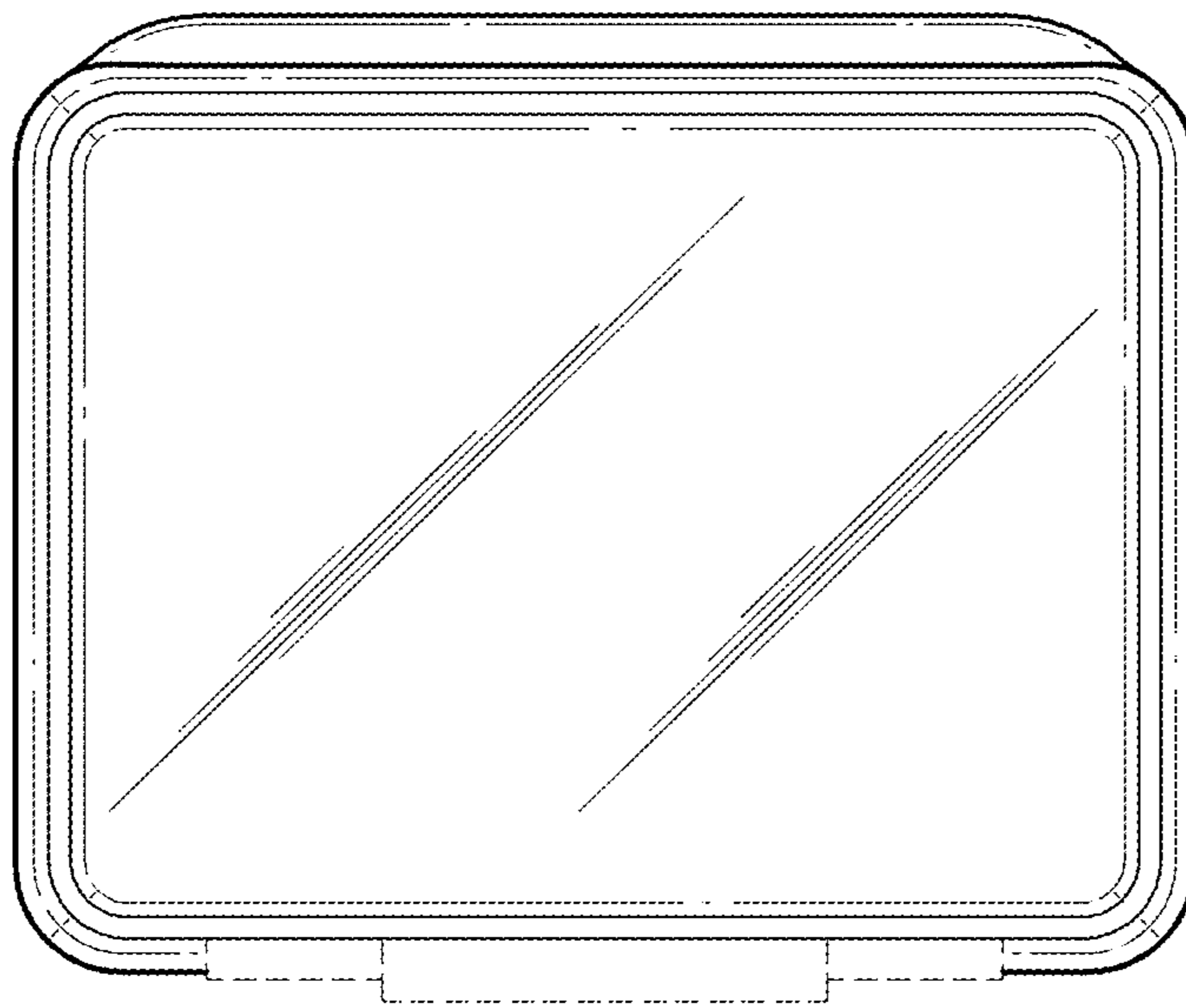




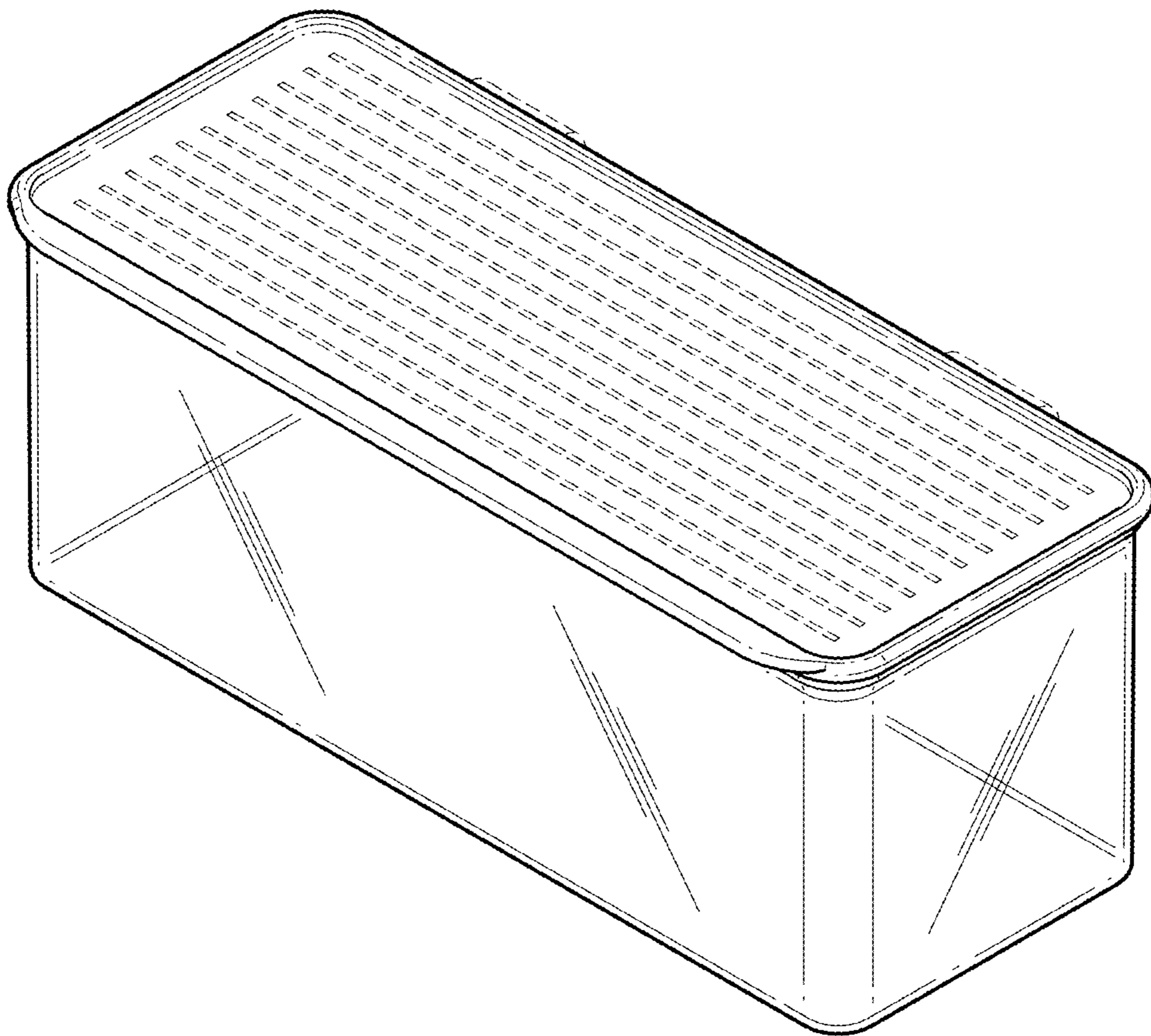
**FIG. 12**



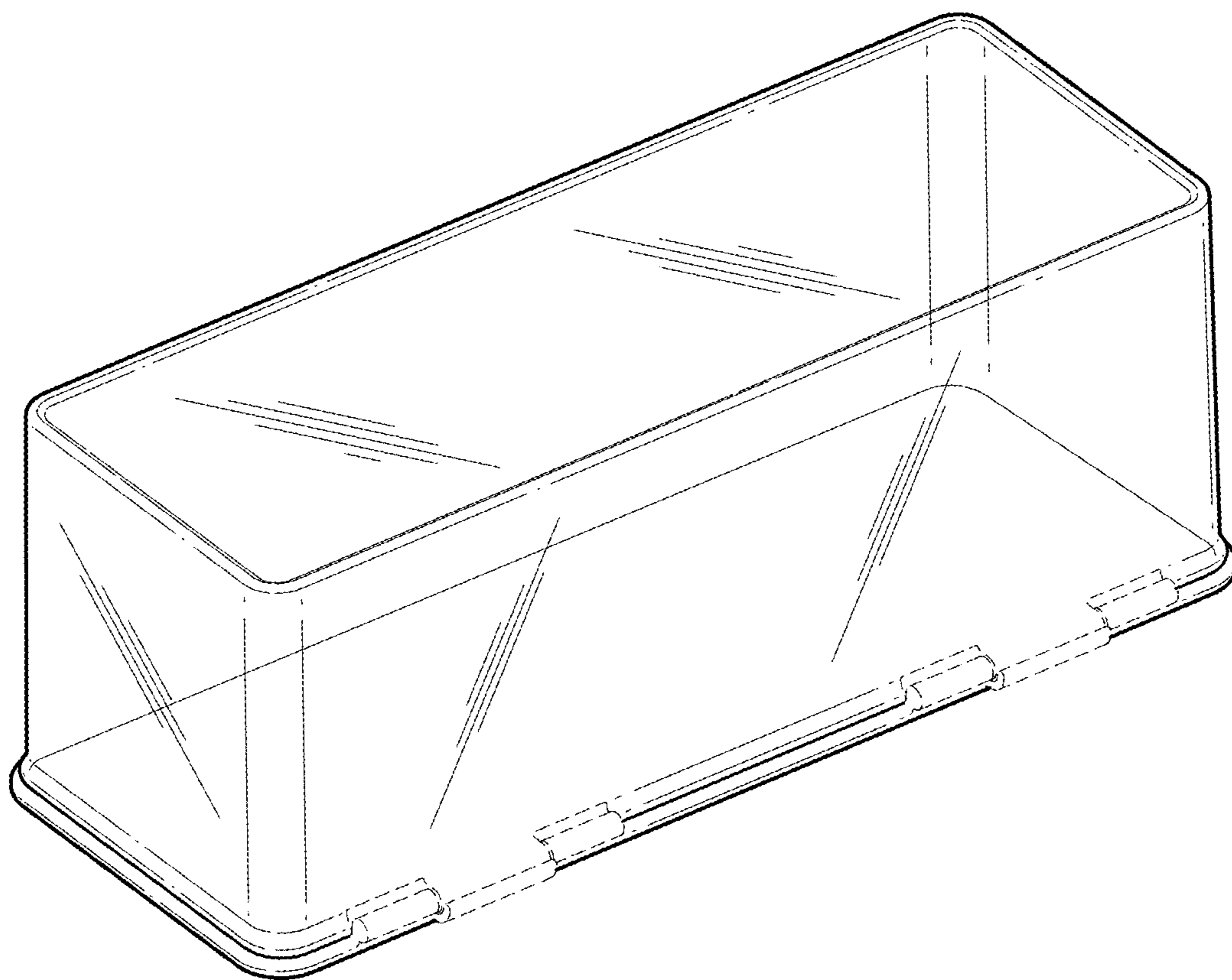
**FIG. 13**



**FIG. 14**

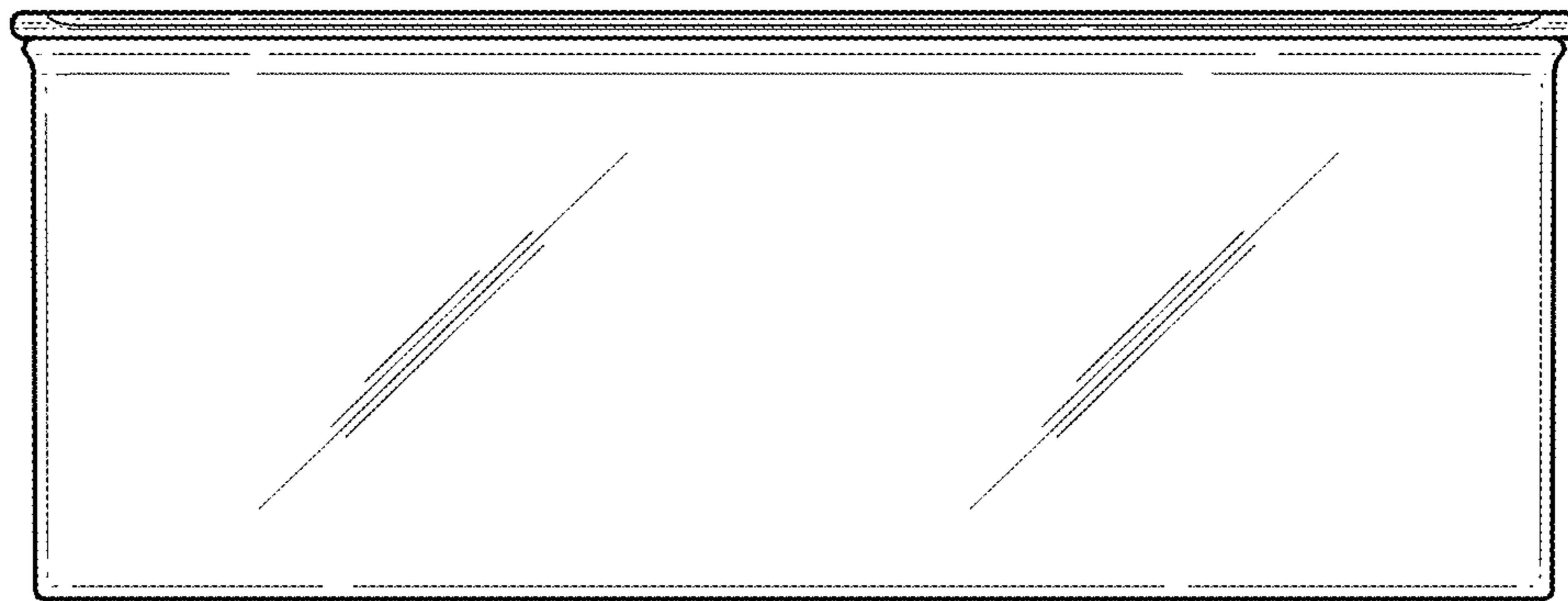


**FIG. 15**

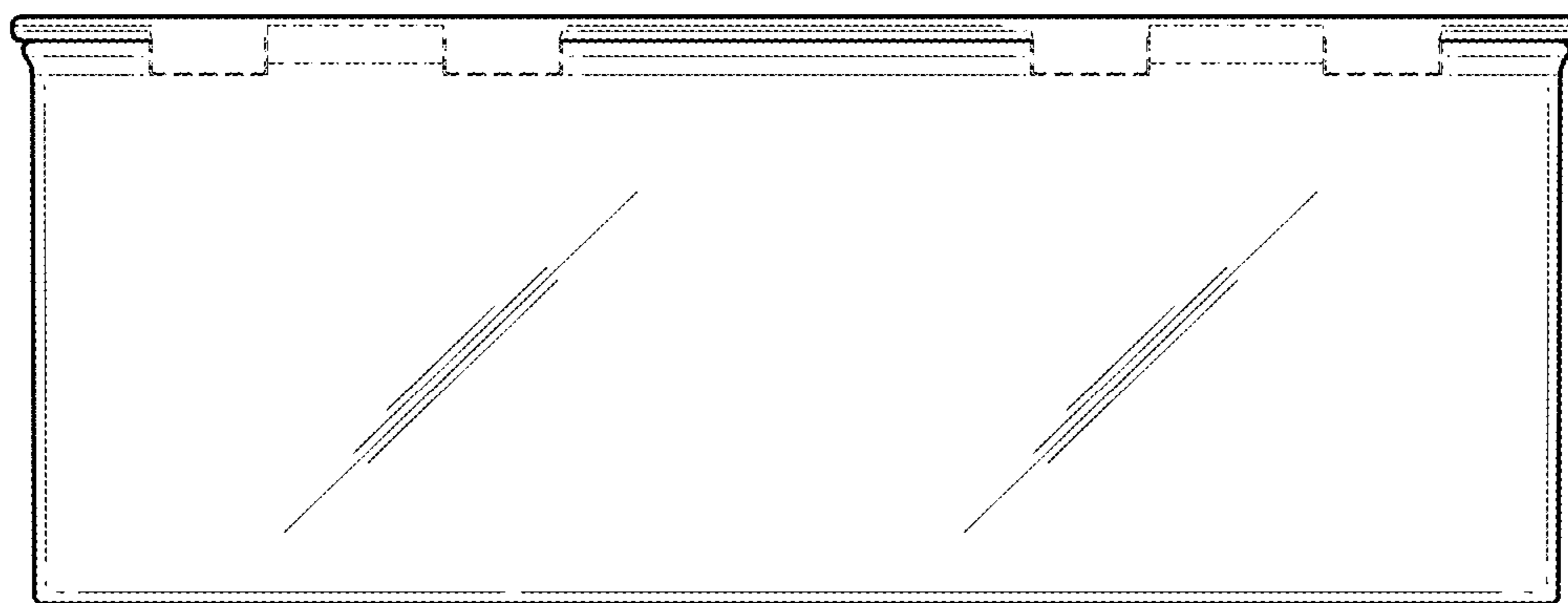


**FIG. 16**

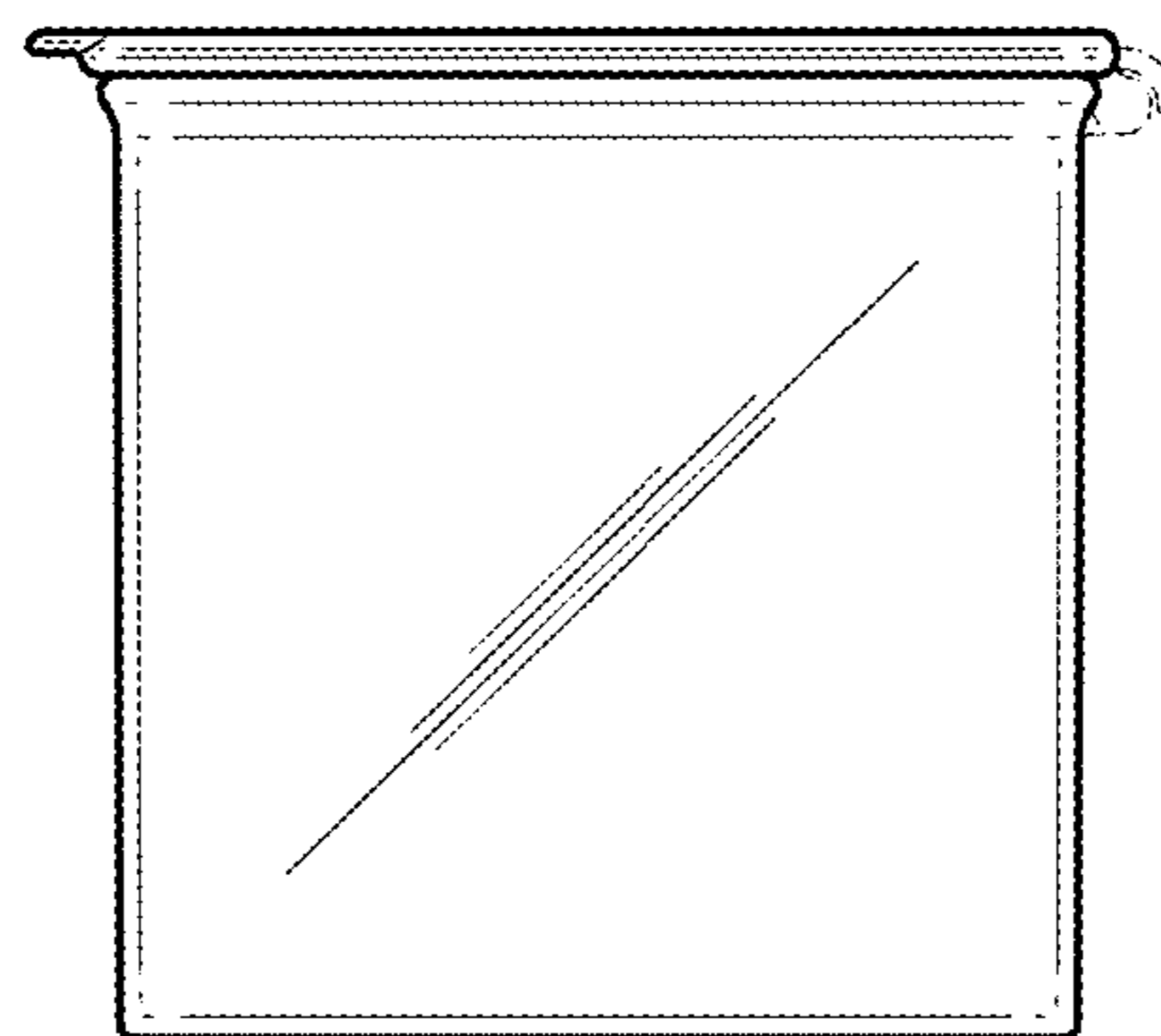




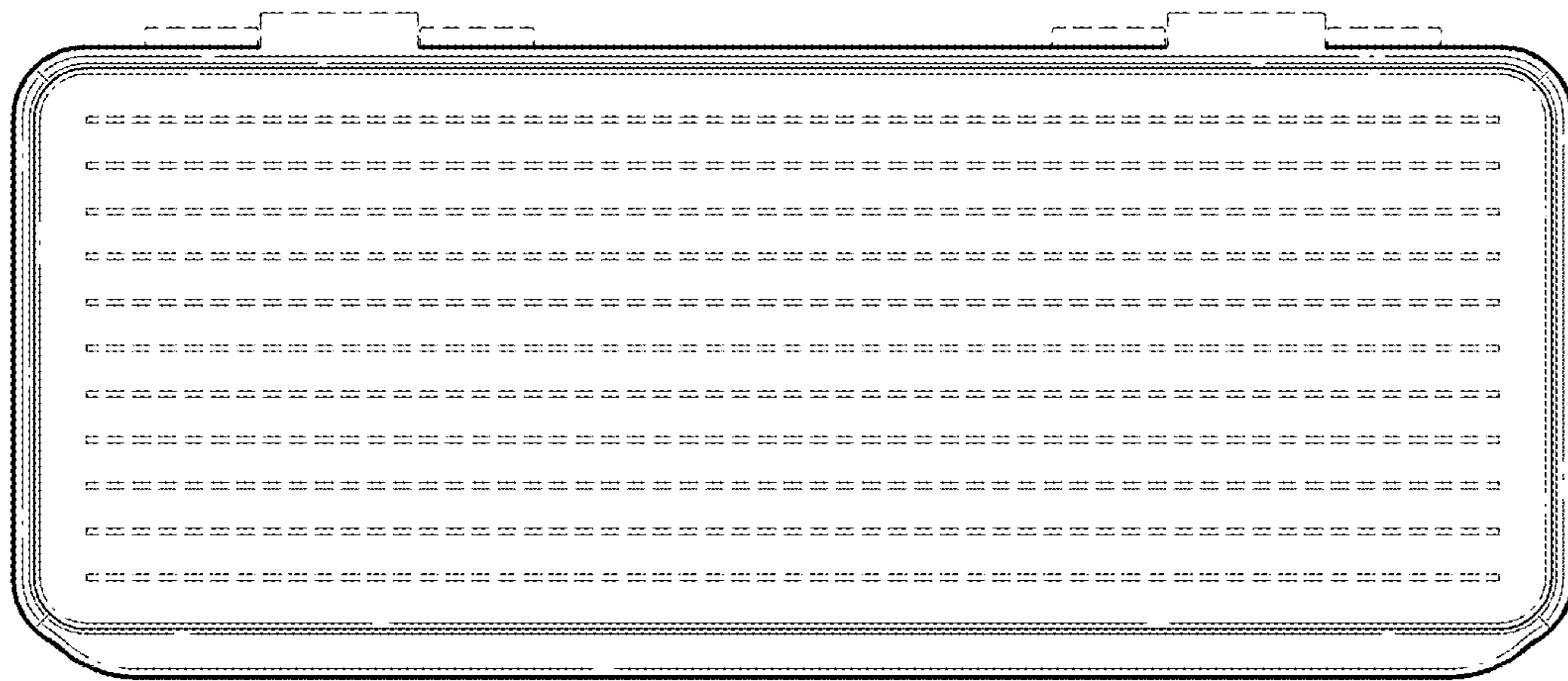
**FIG. 17**



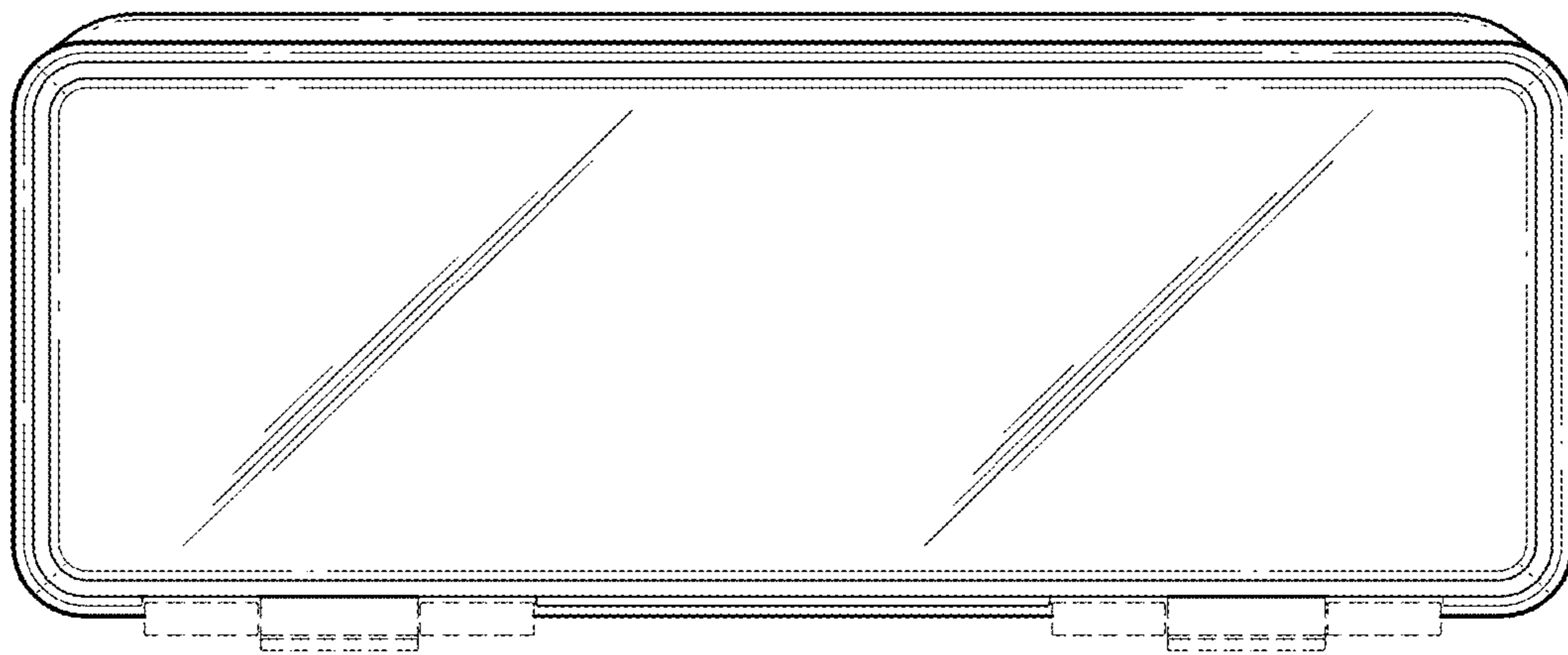
**FIG. 18**



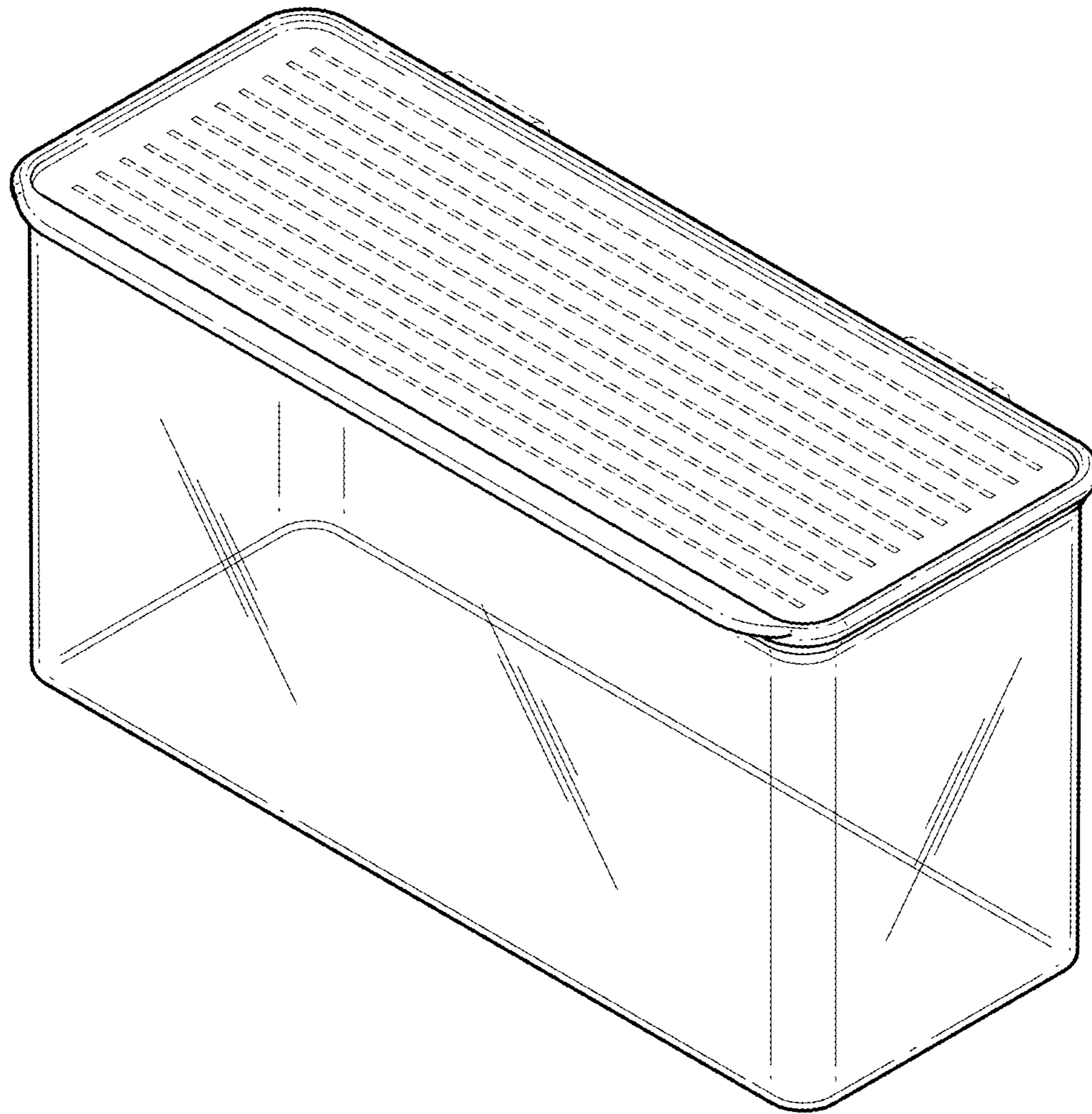
**FIG. 19**



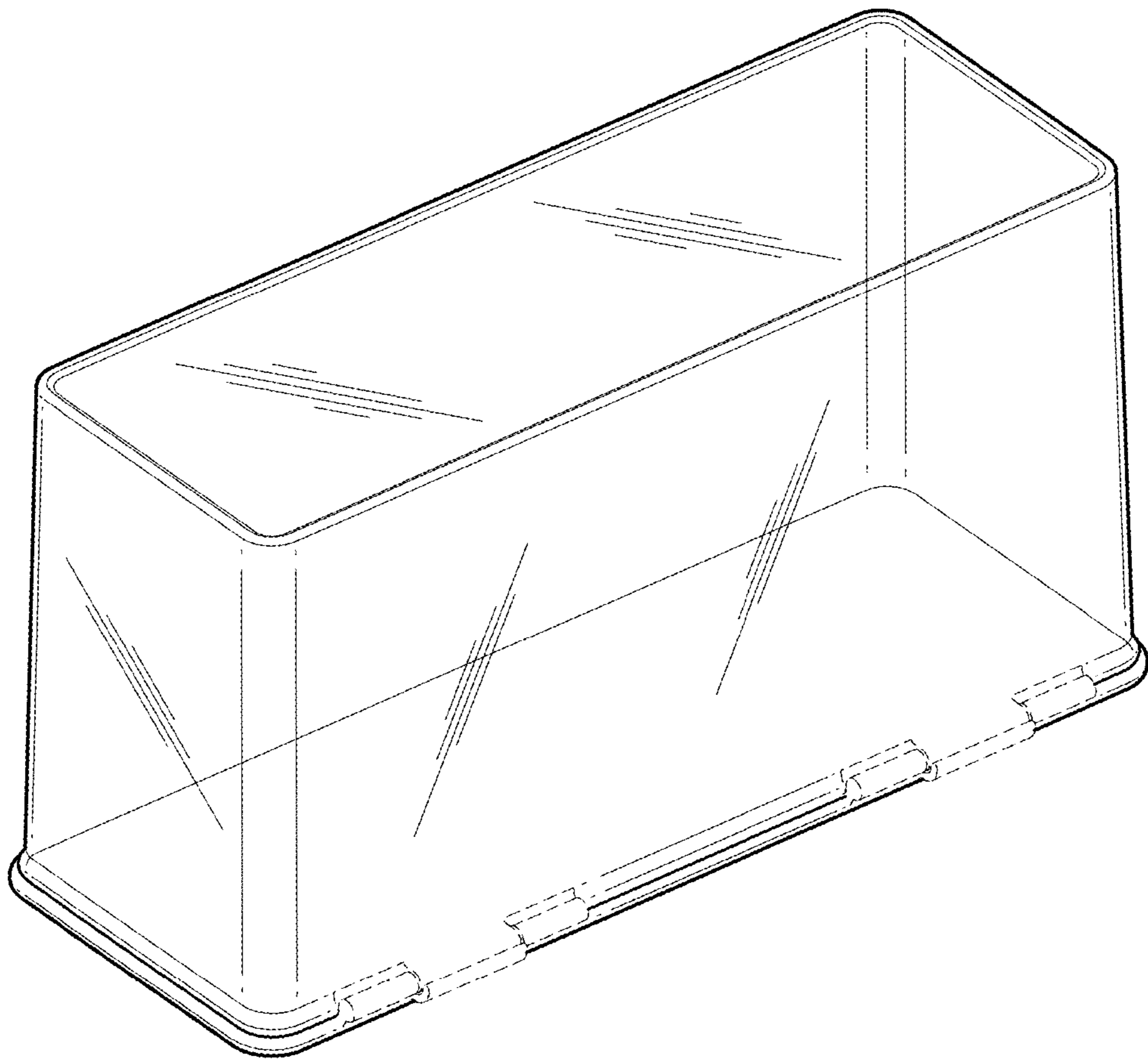
**FIG. 20**



**FIG. 21**

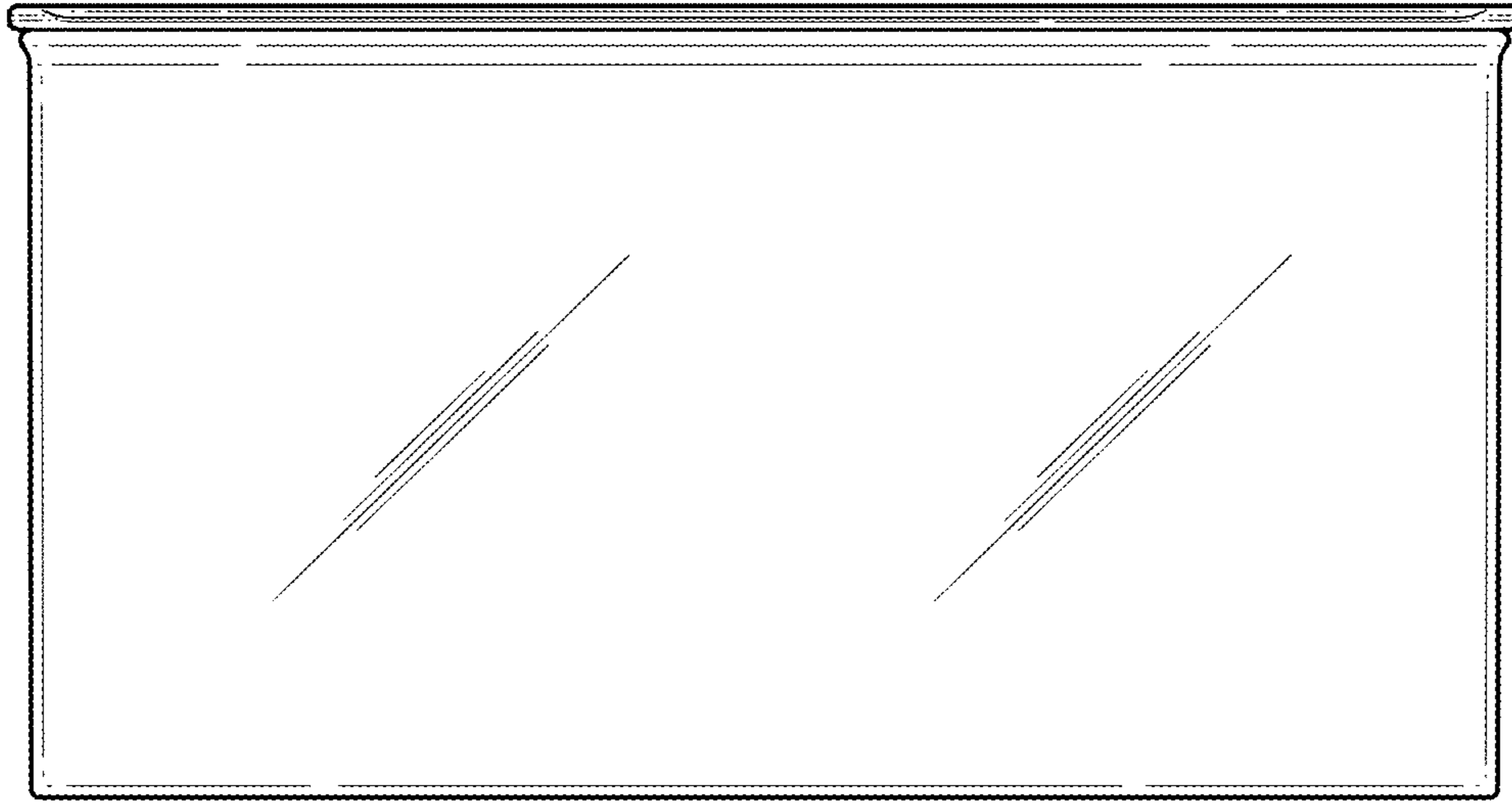


**FIG. 22**

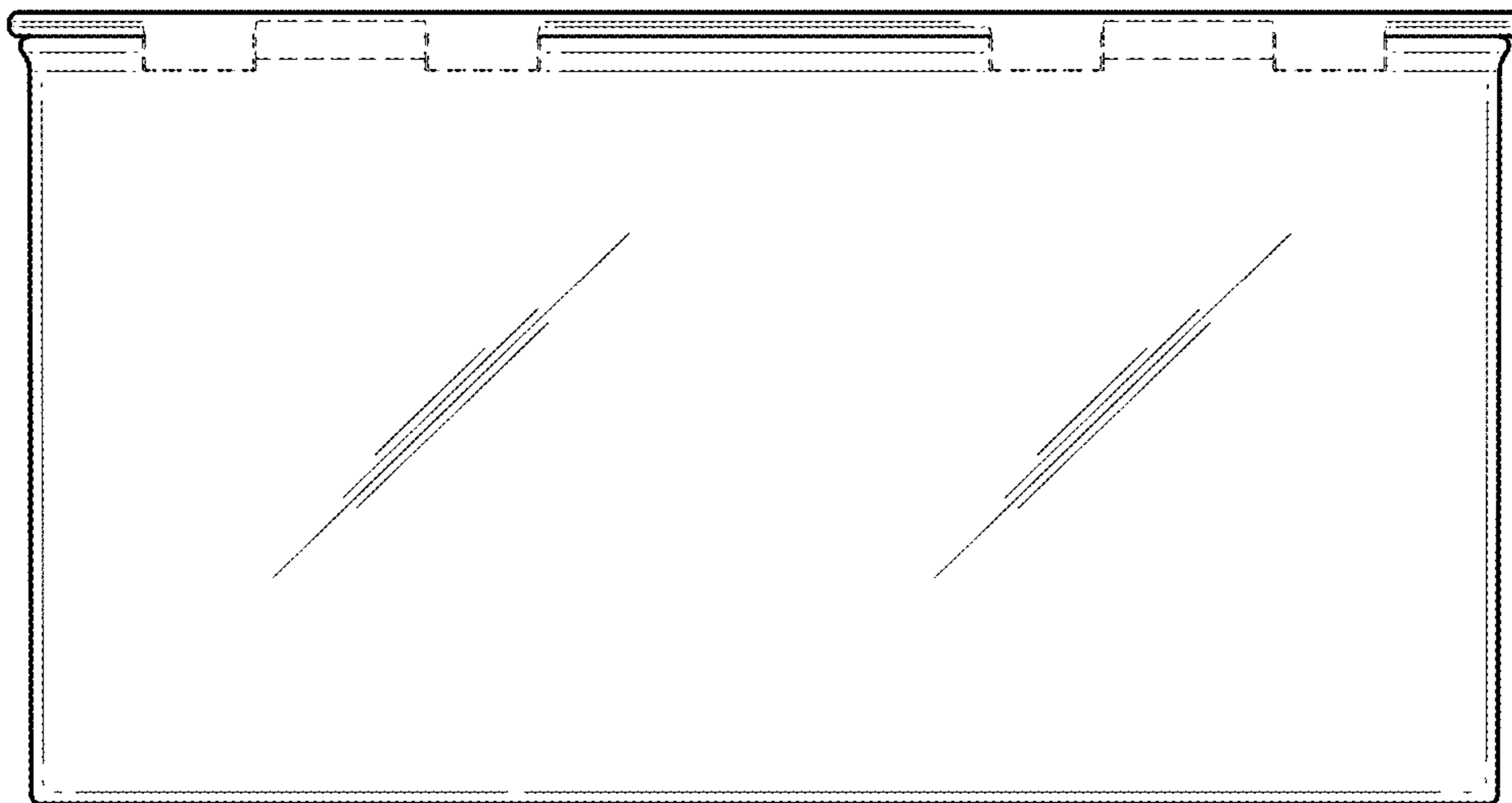


**FIG. 23**

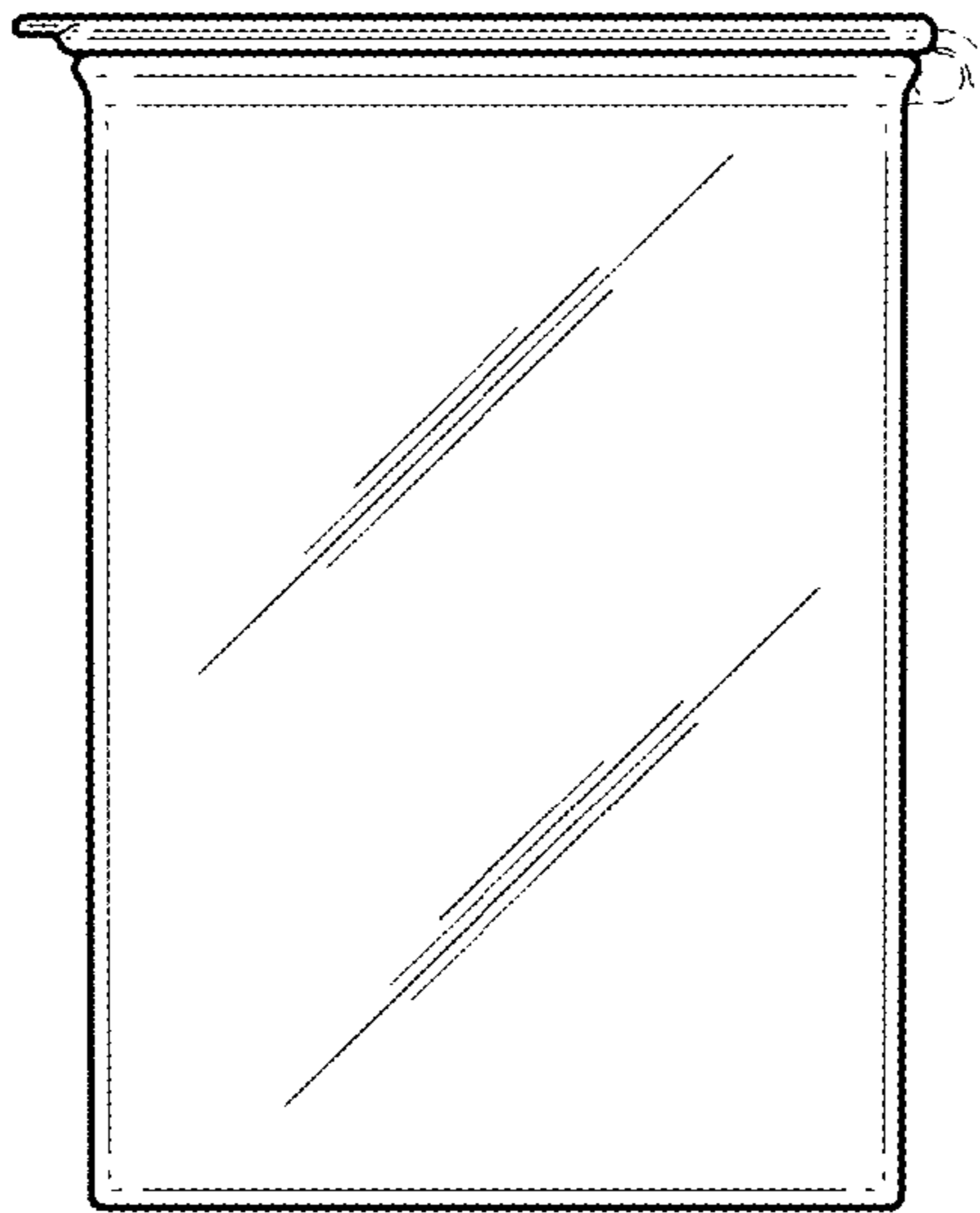




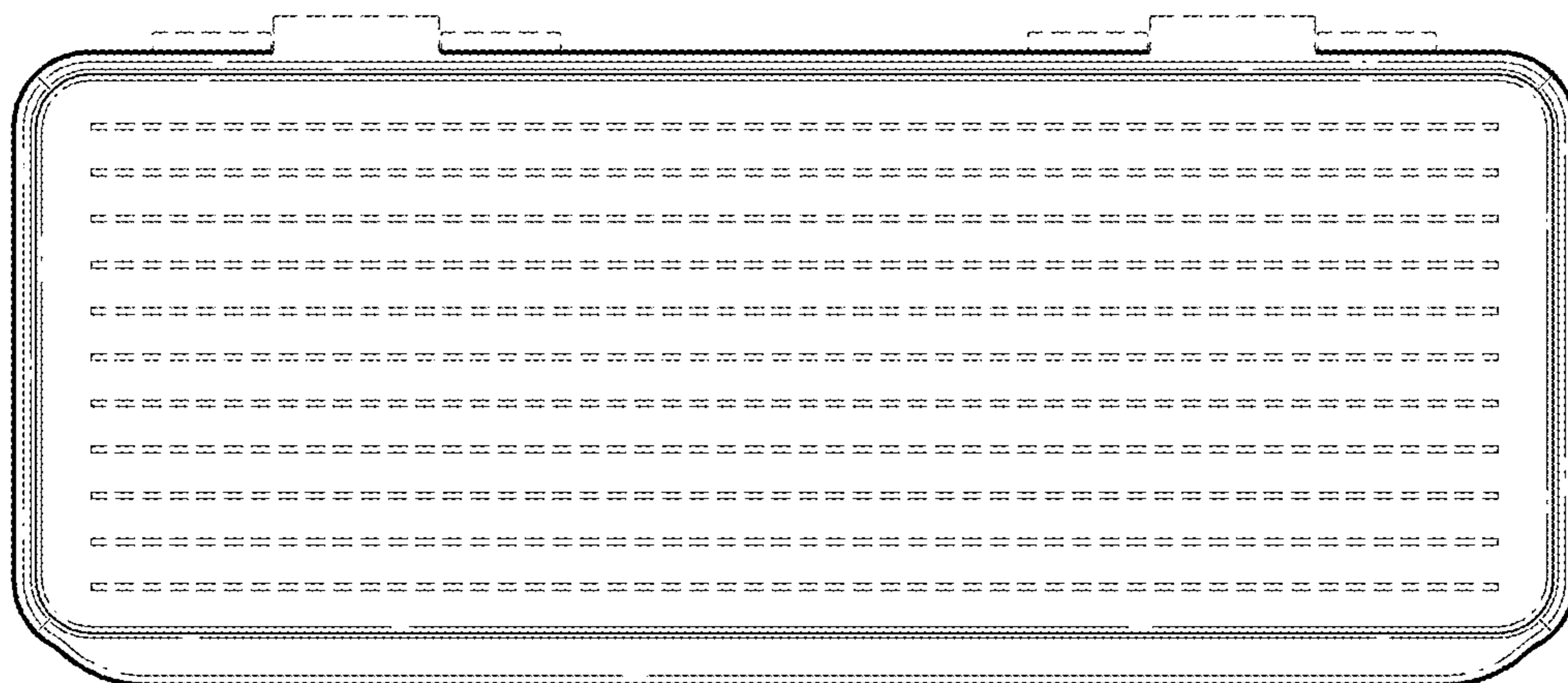
**FIG. 24**



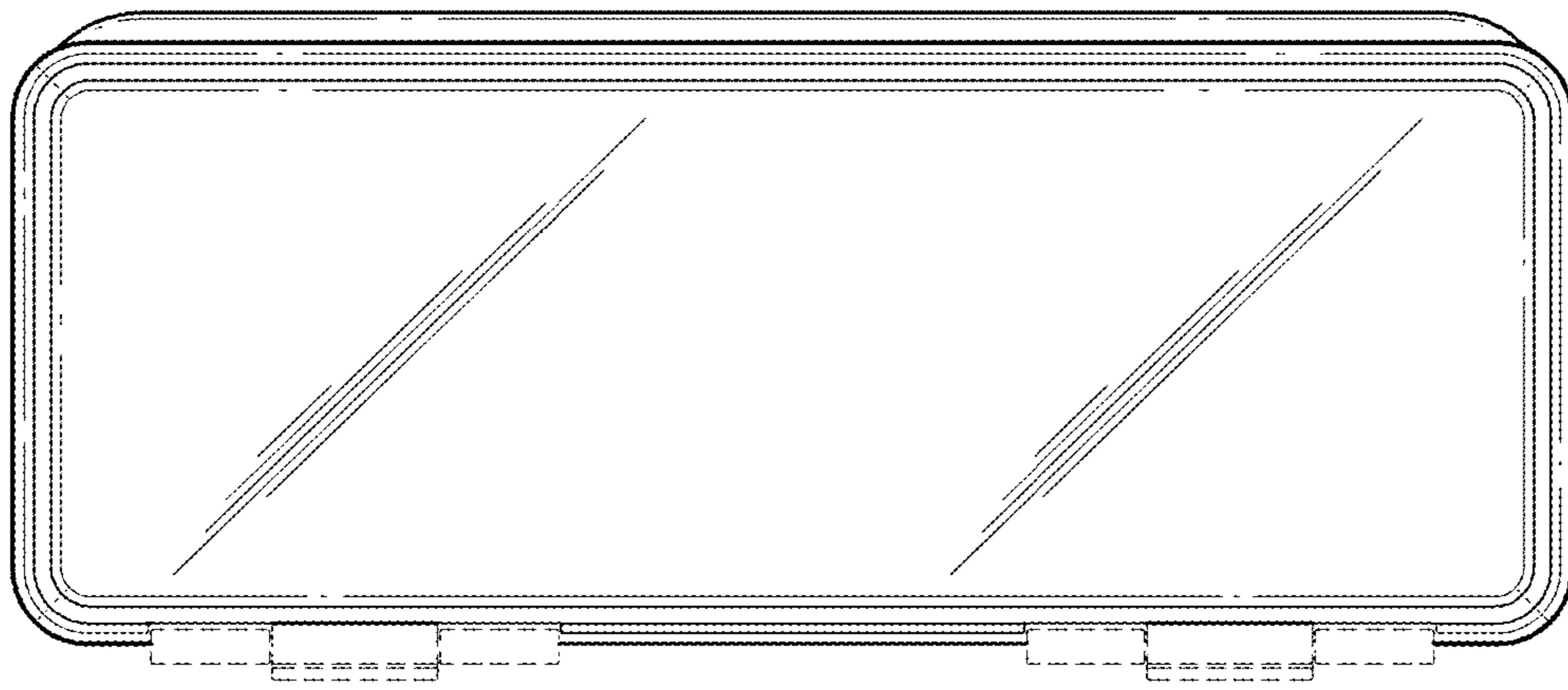
**FIG. 25**



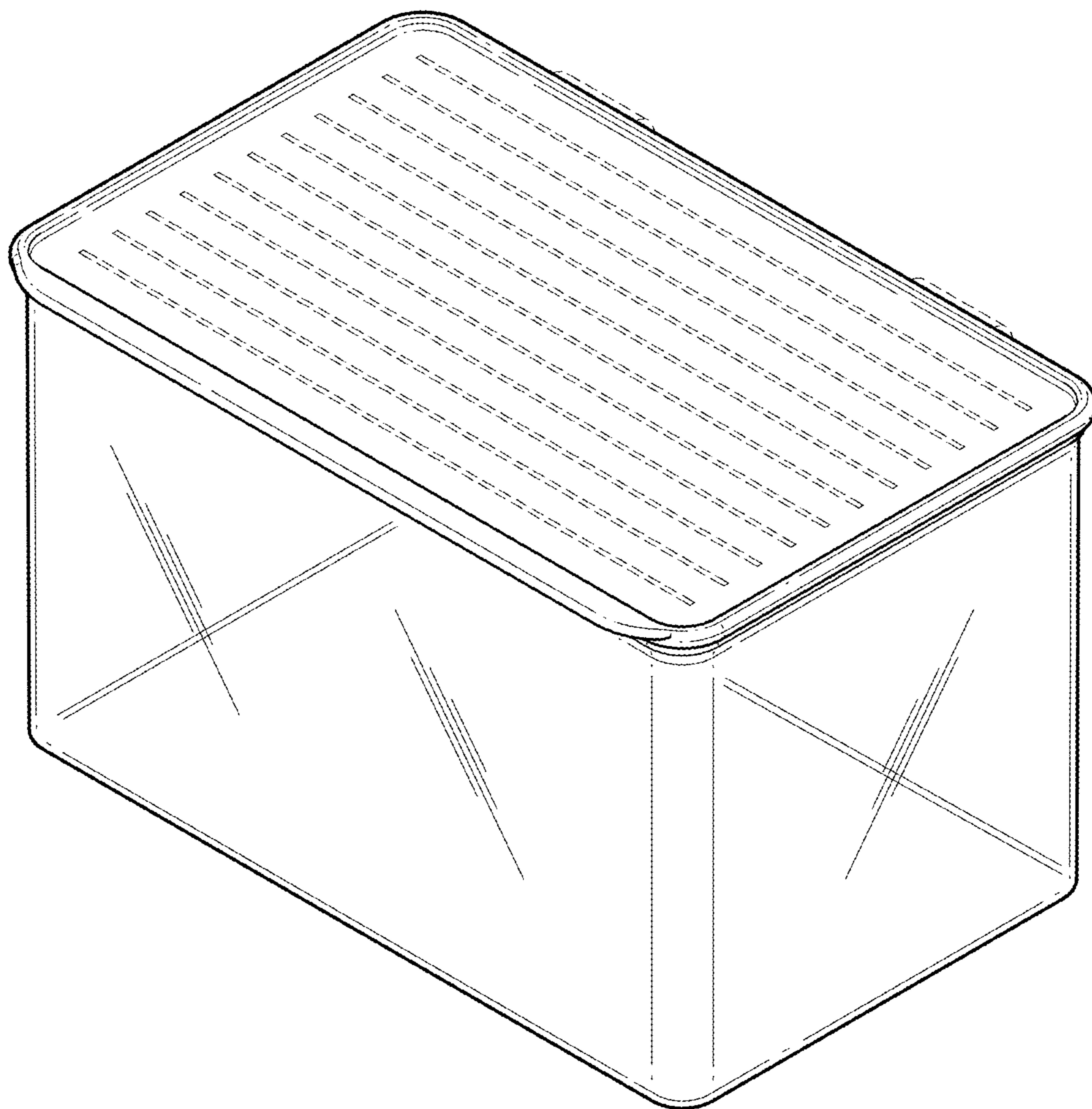
**FIG. 26**



**FIG. 27**

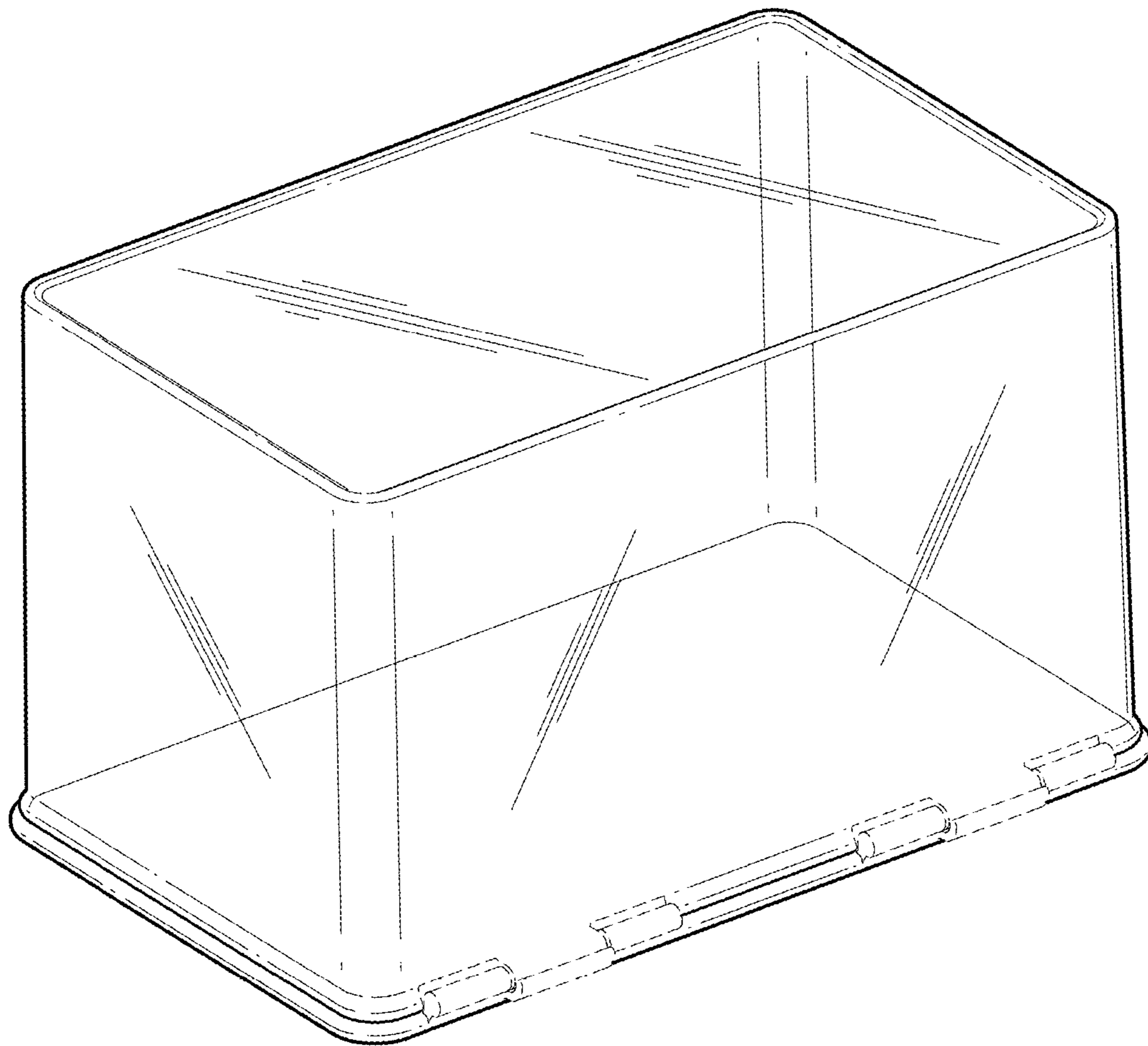


**FIG. 28**

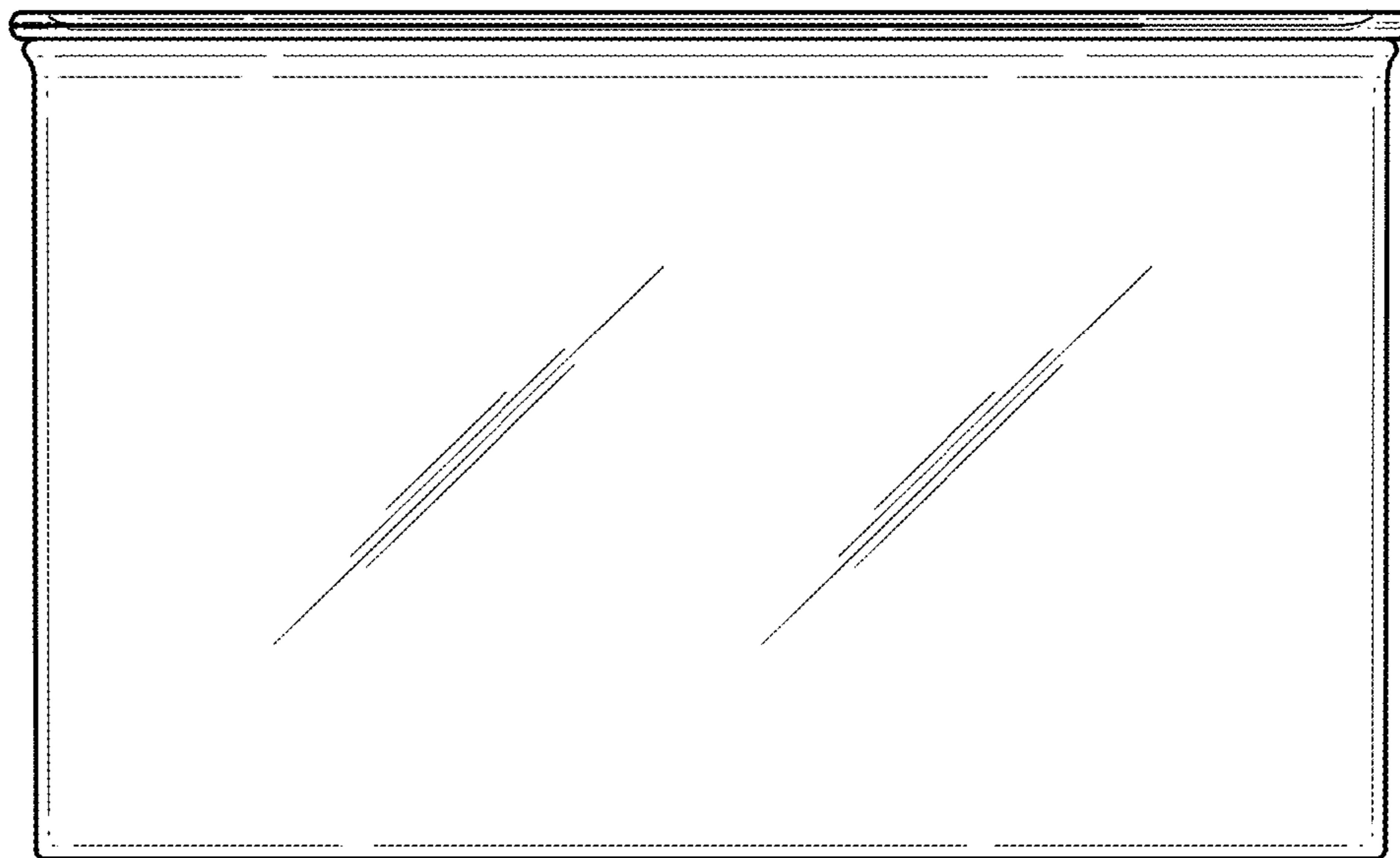


**FIG. 29**

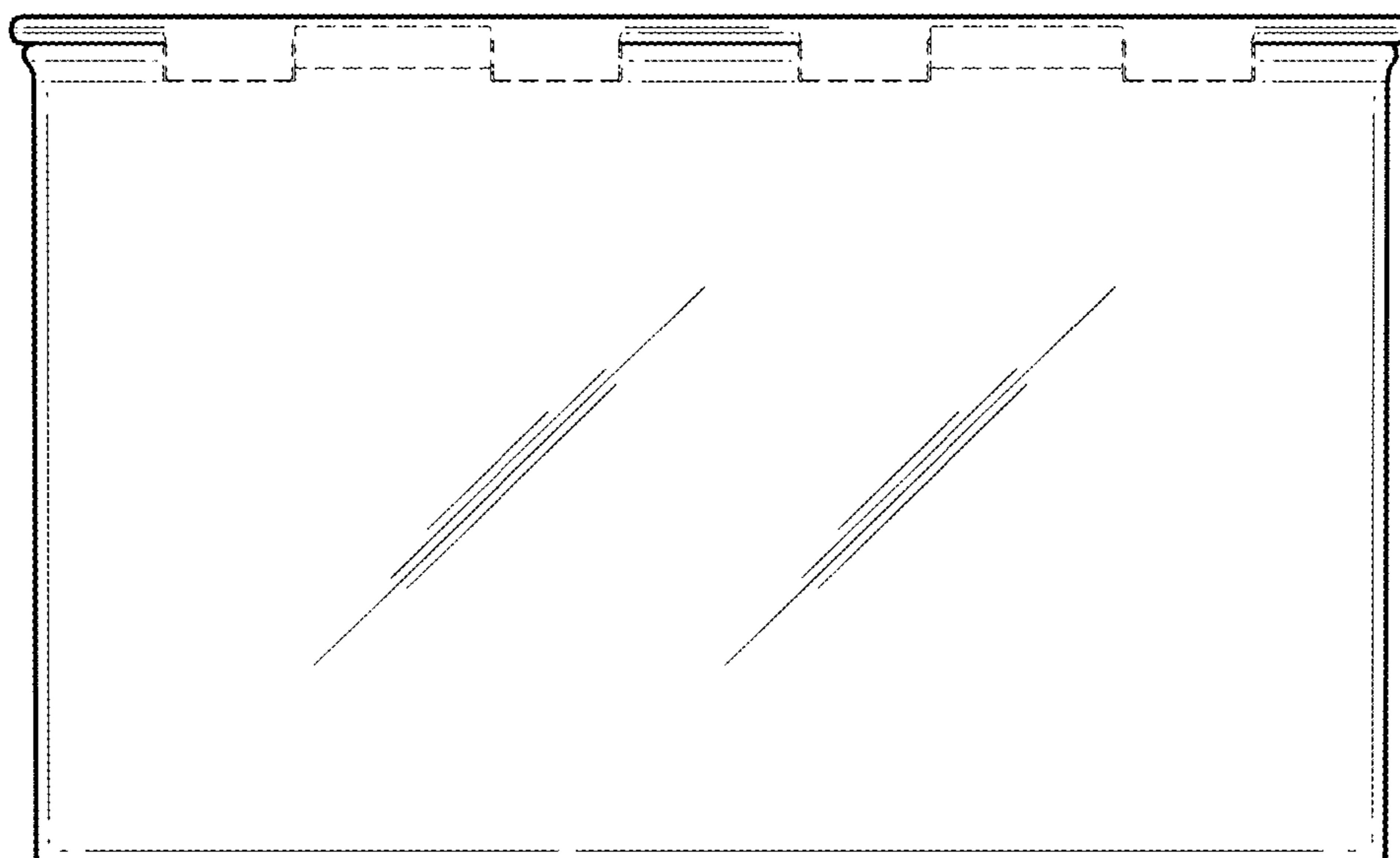




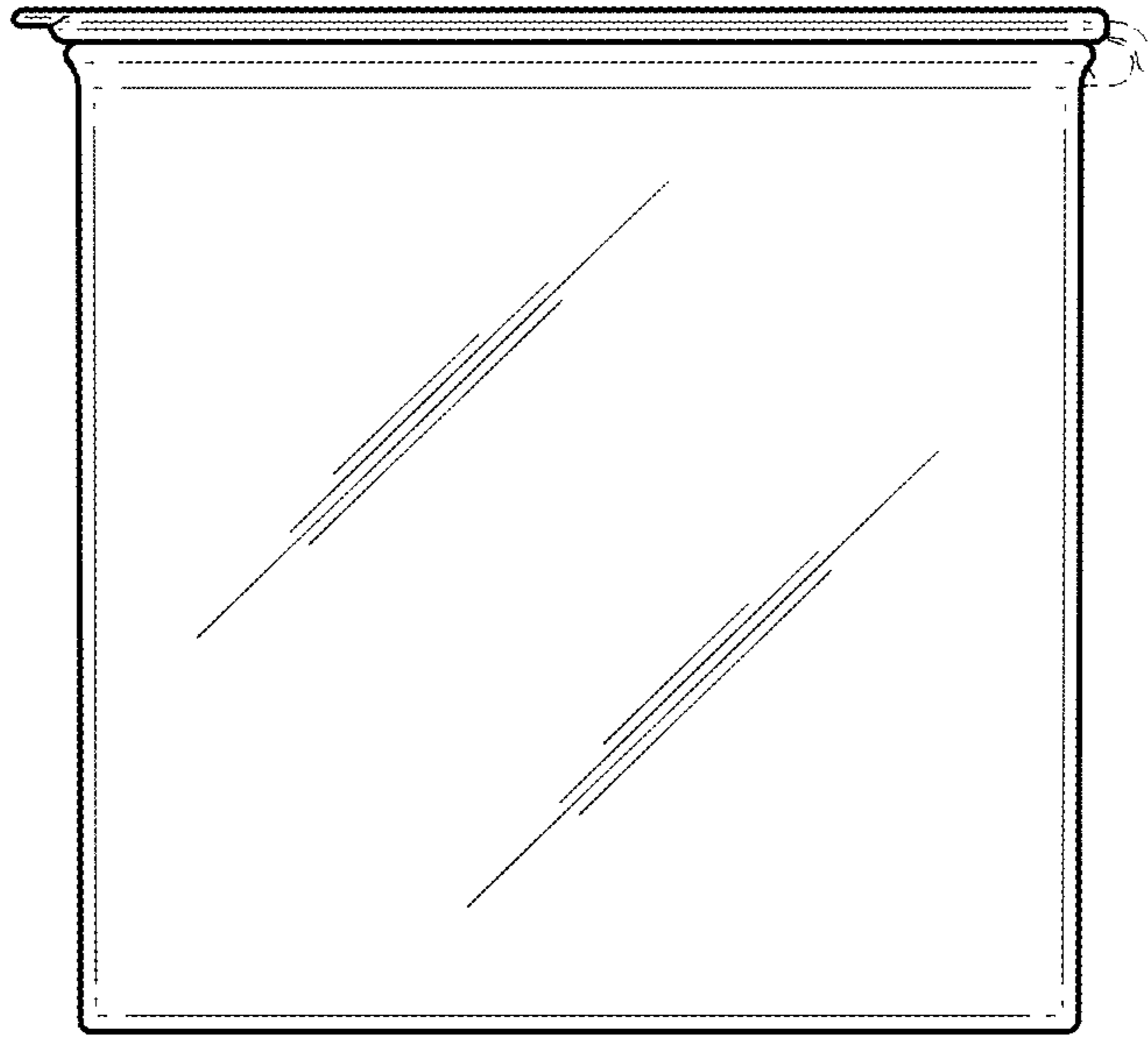
**FIG. 30**



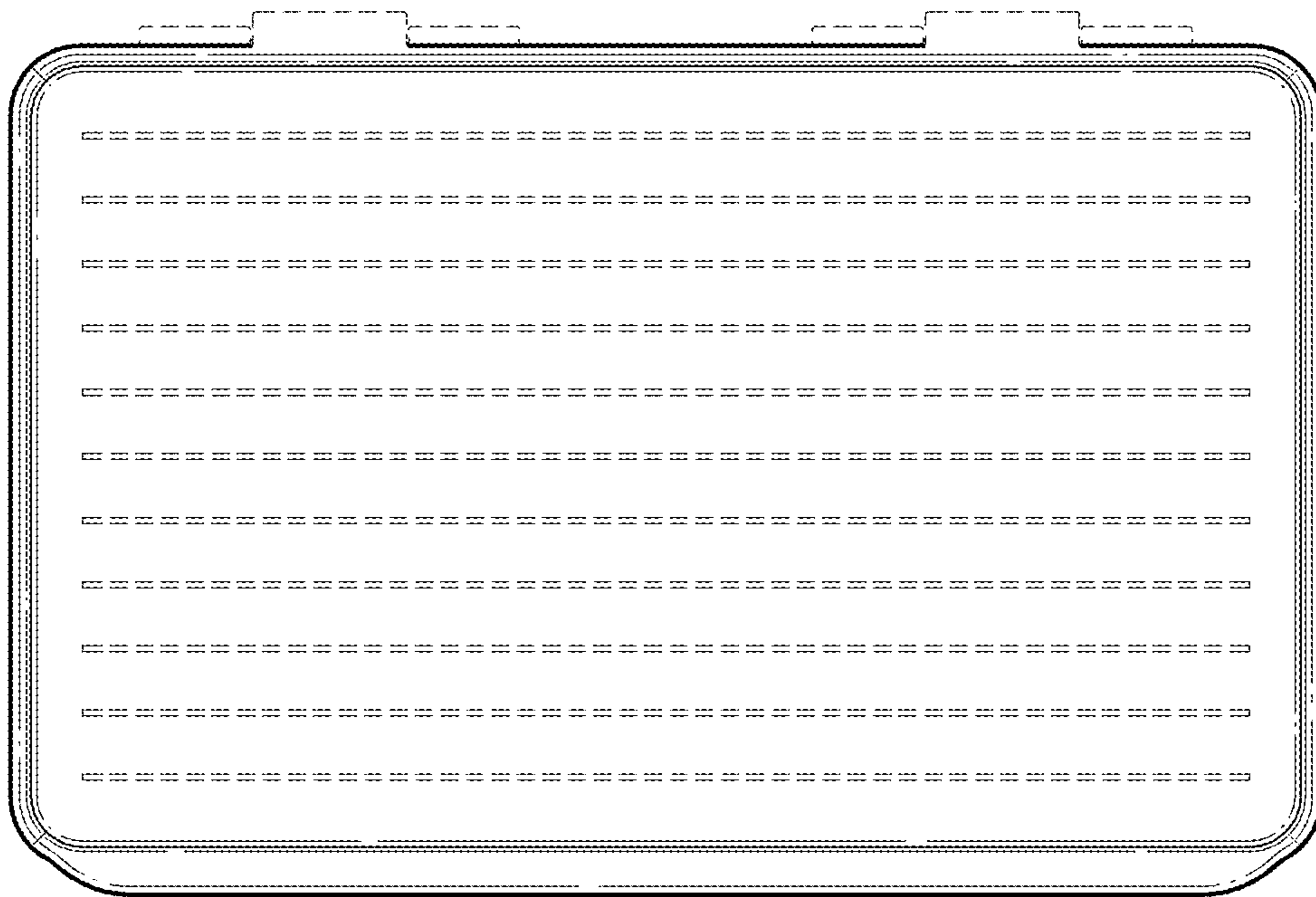
**FIG. 31**



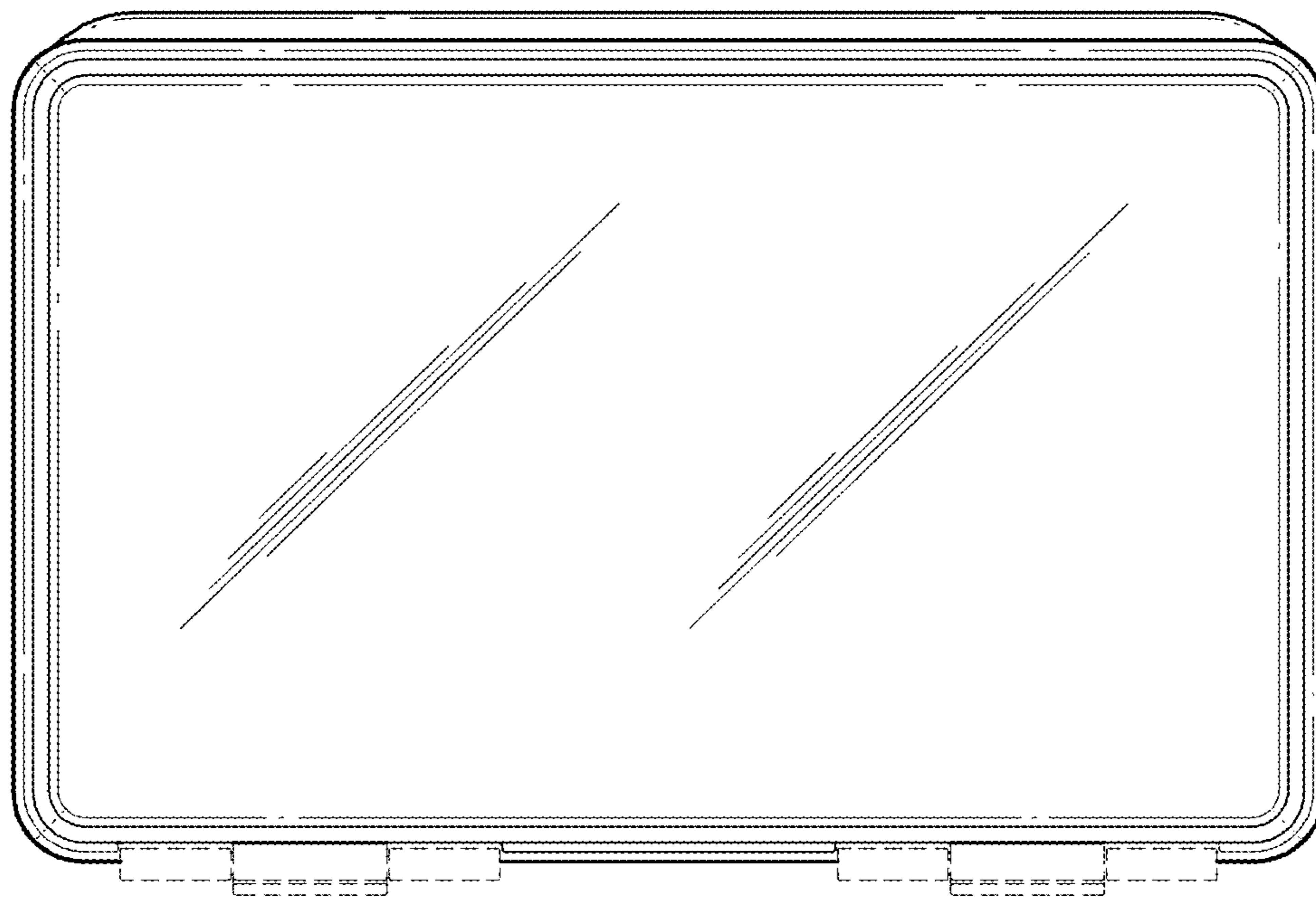
**FIG. 32**



**FIG. 33**

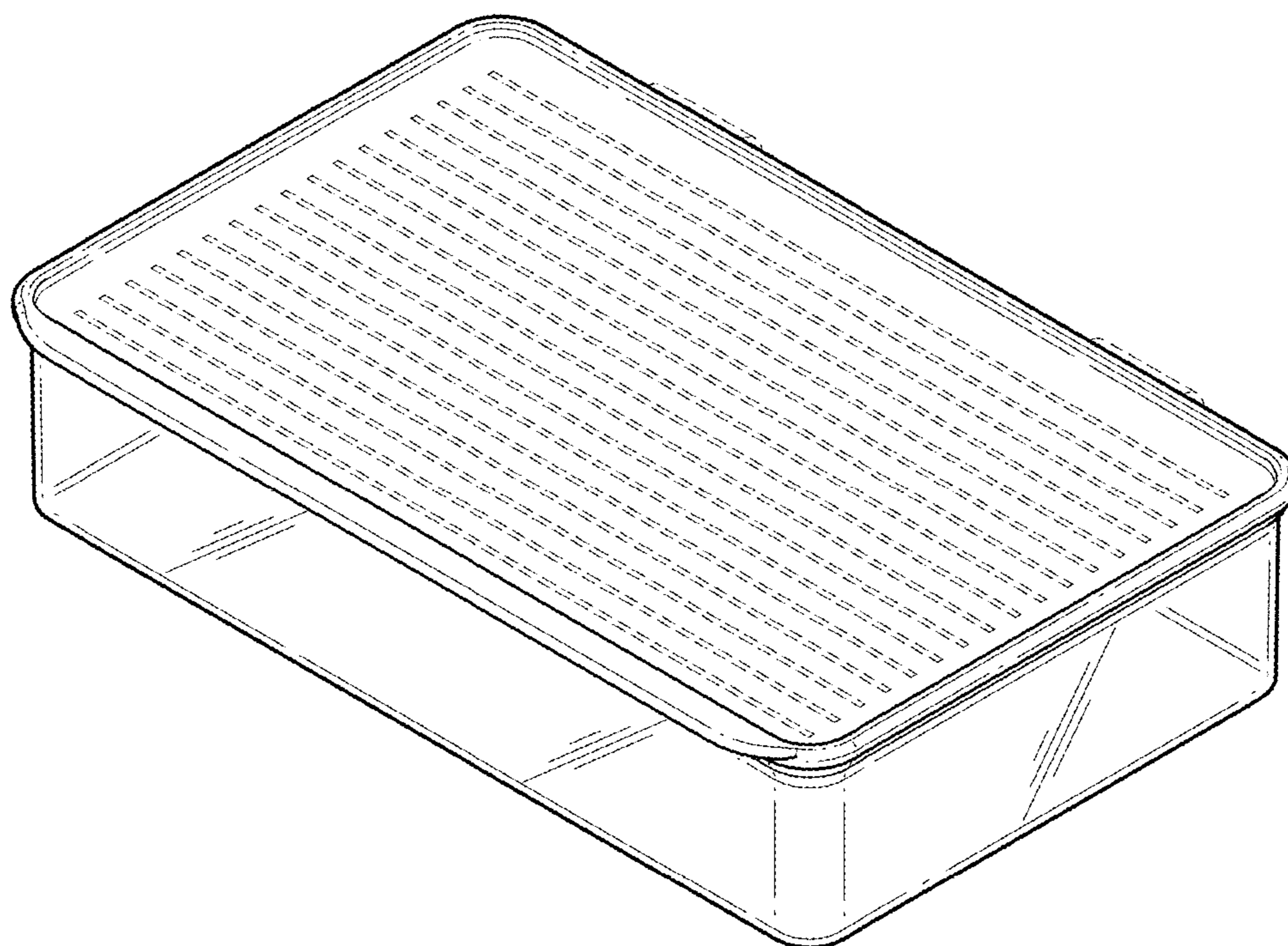


**FIG. 34**

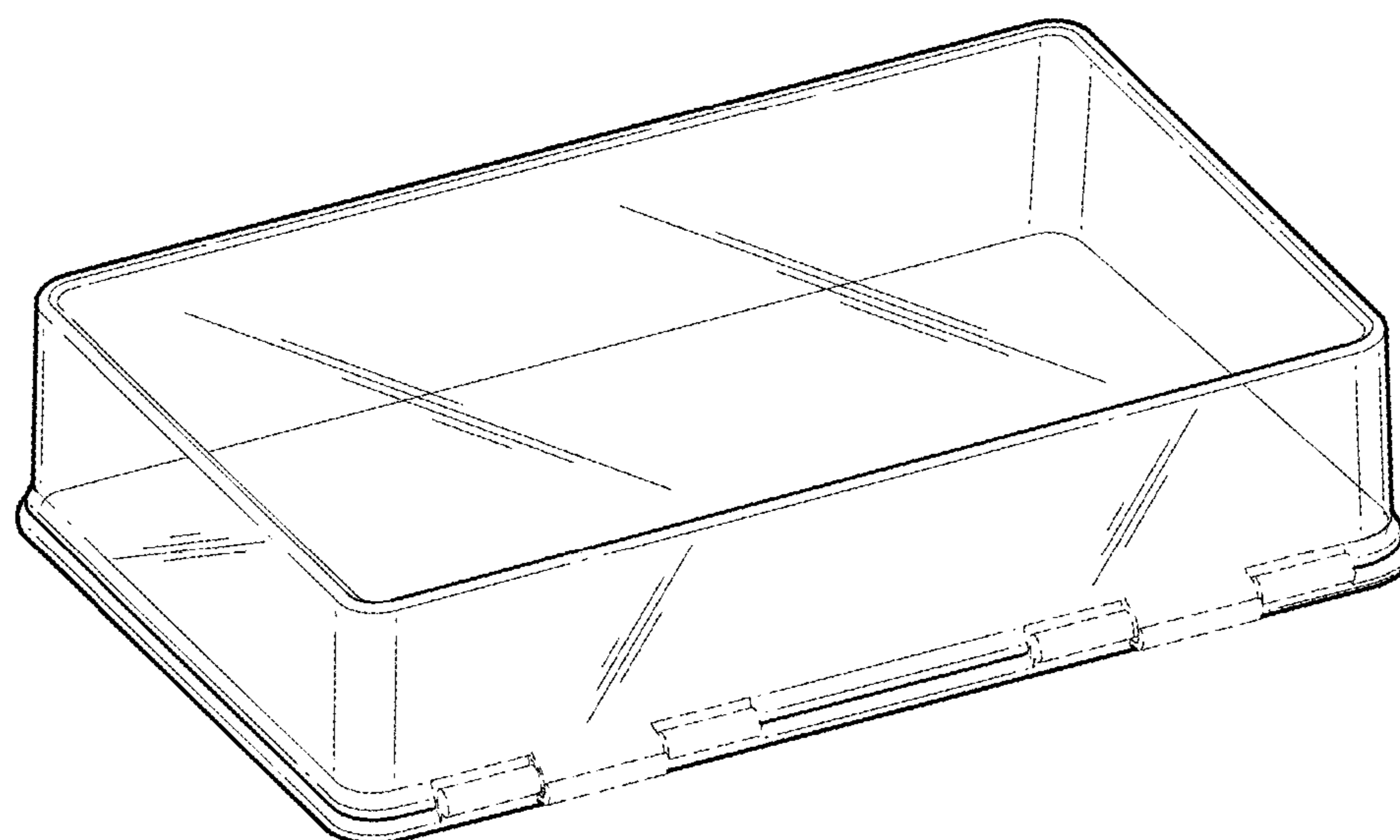


**FIG. 35**

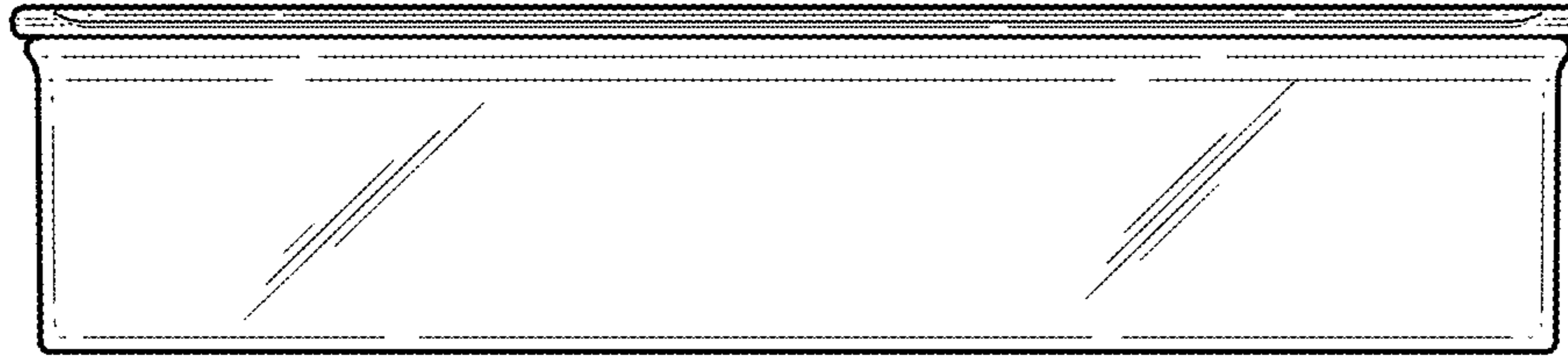




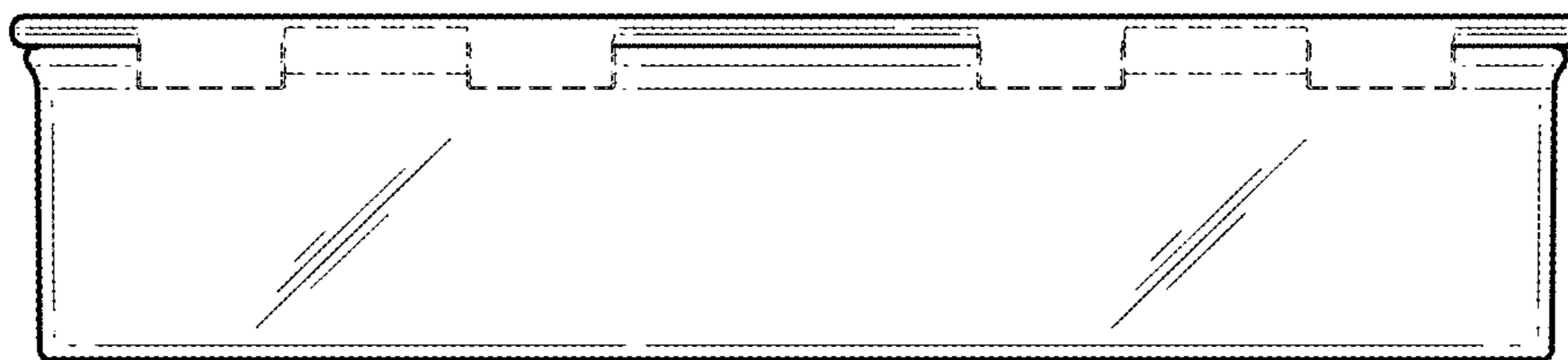
**FIG. 36**



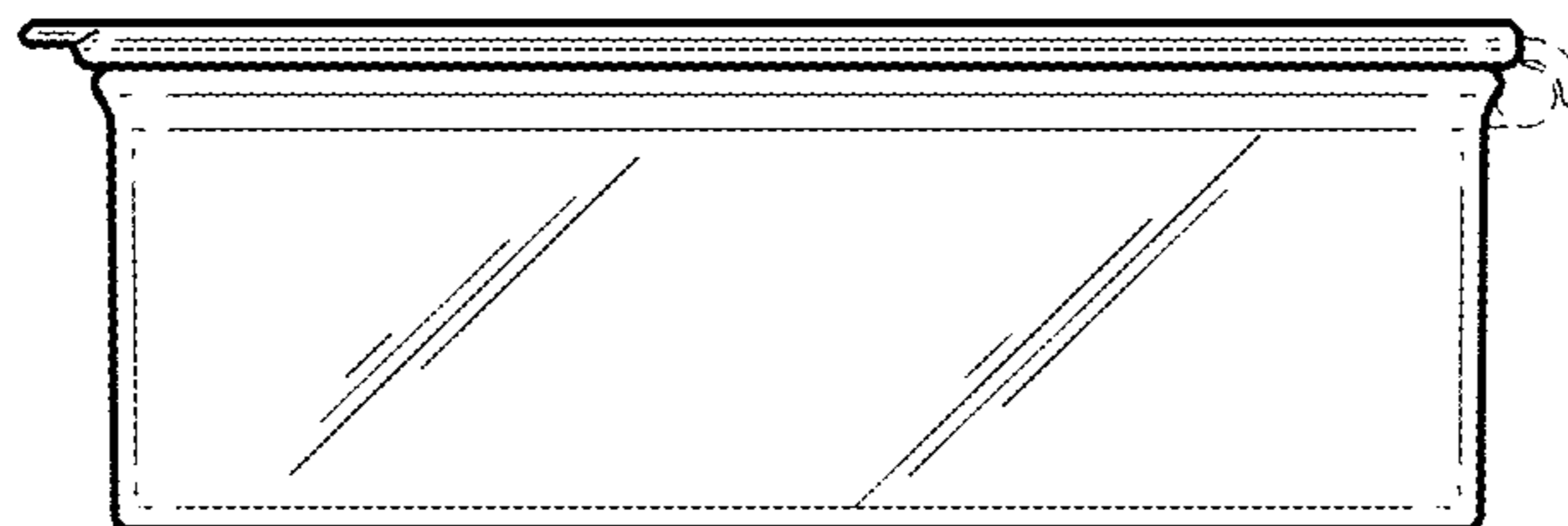
**FIG. 37**



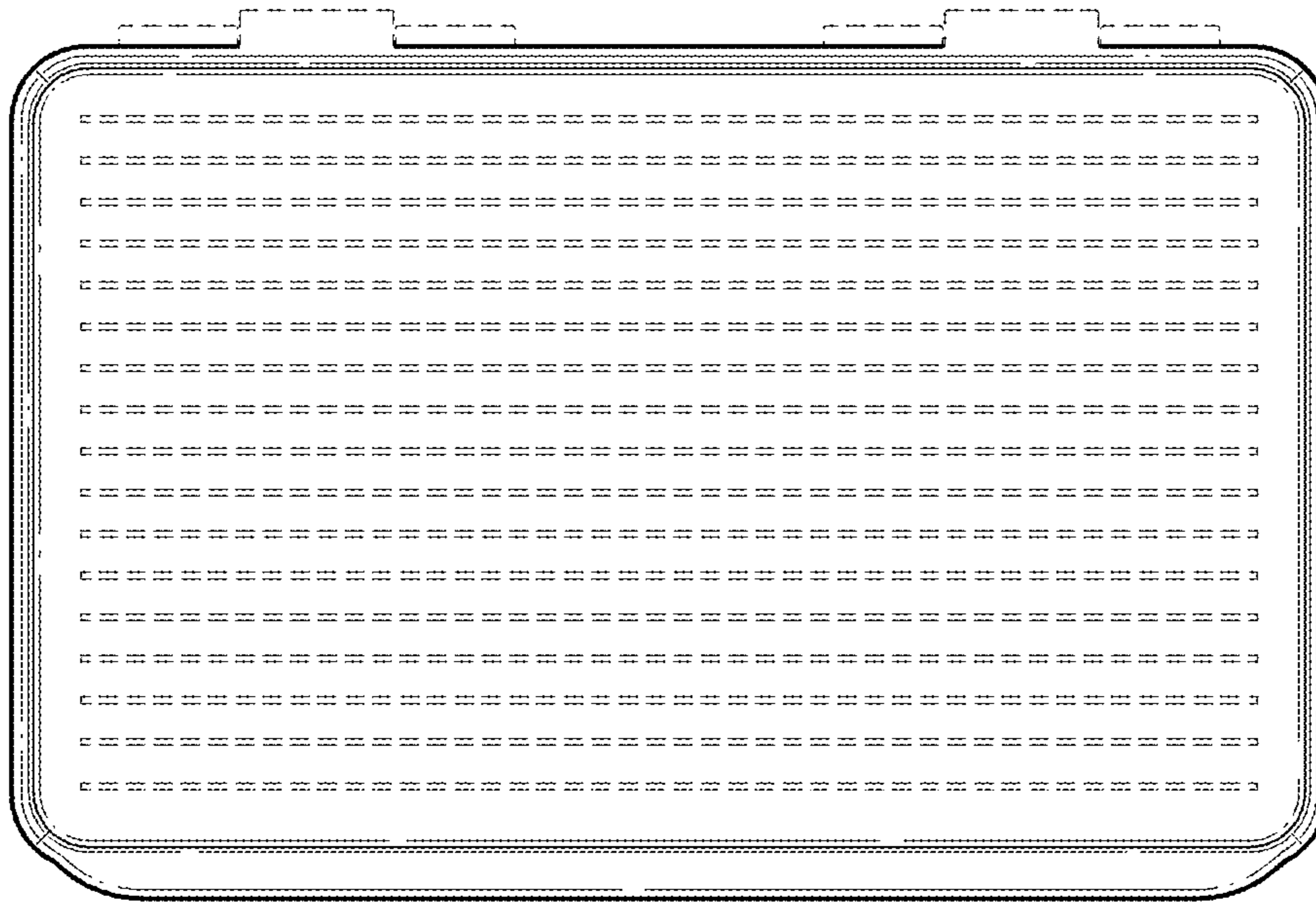
**FIG. 38**



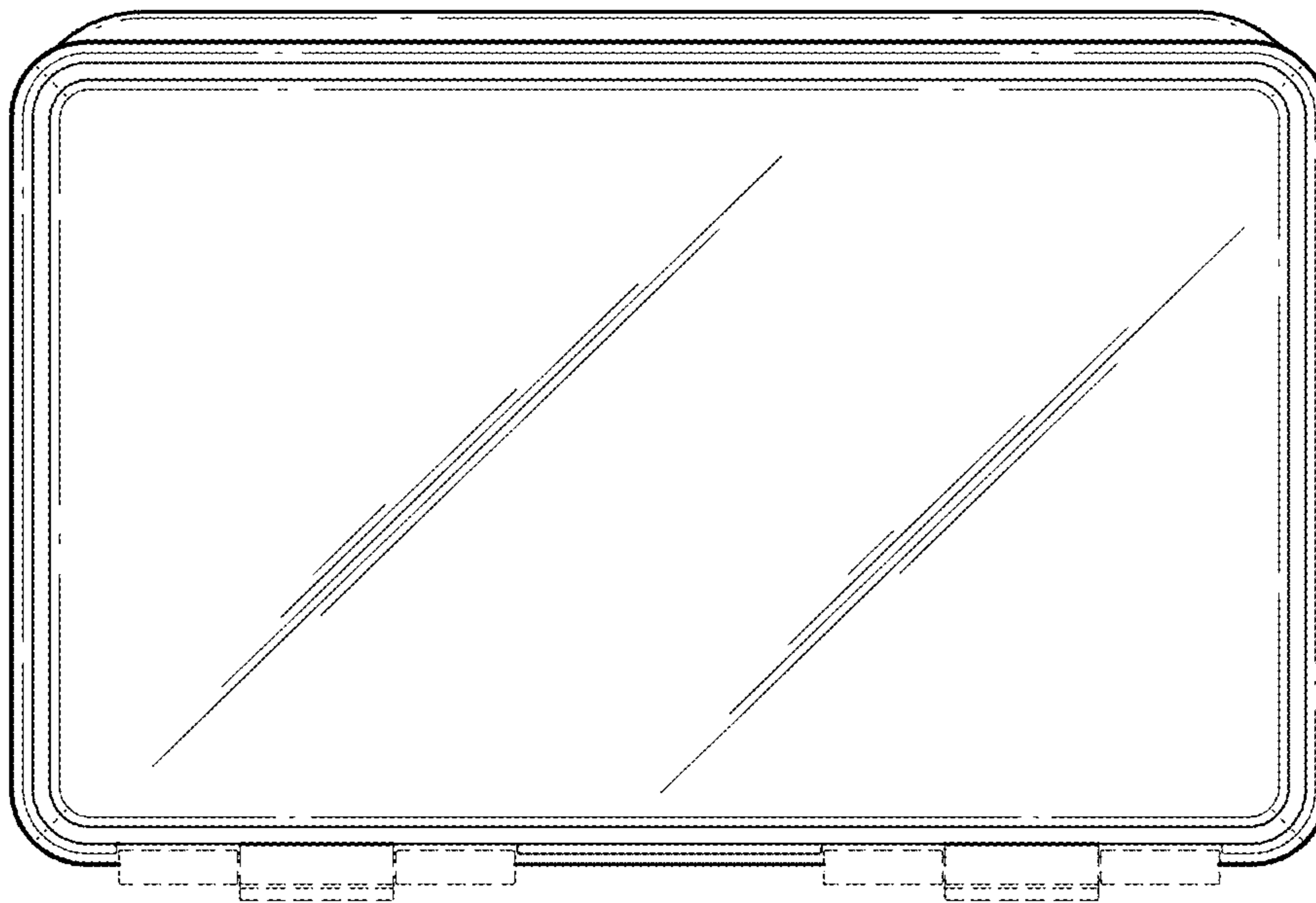
**FIG. 39**



**FIG. 40**

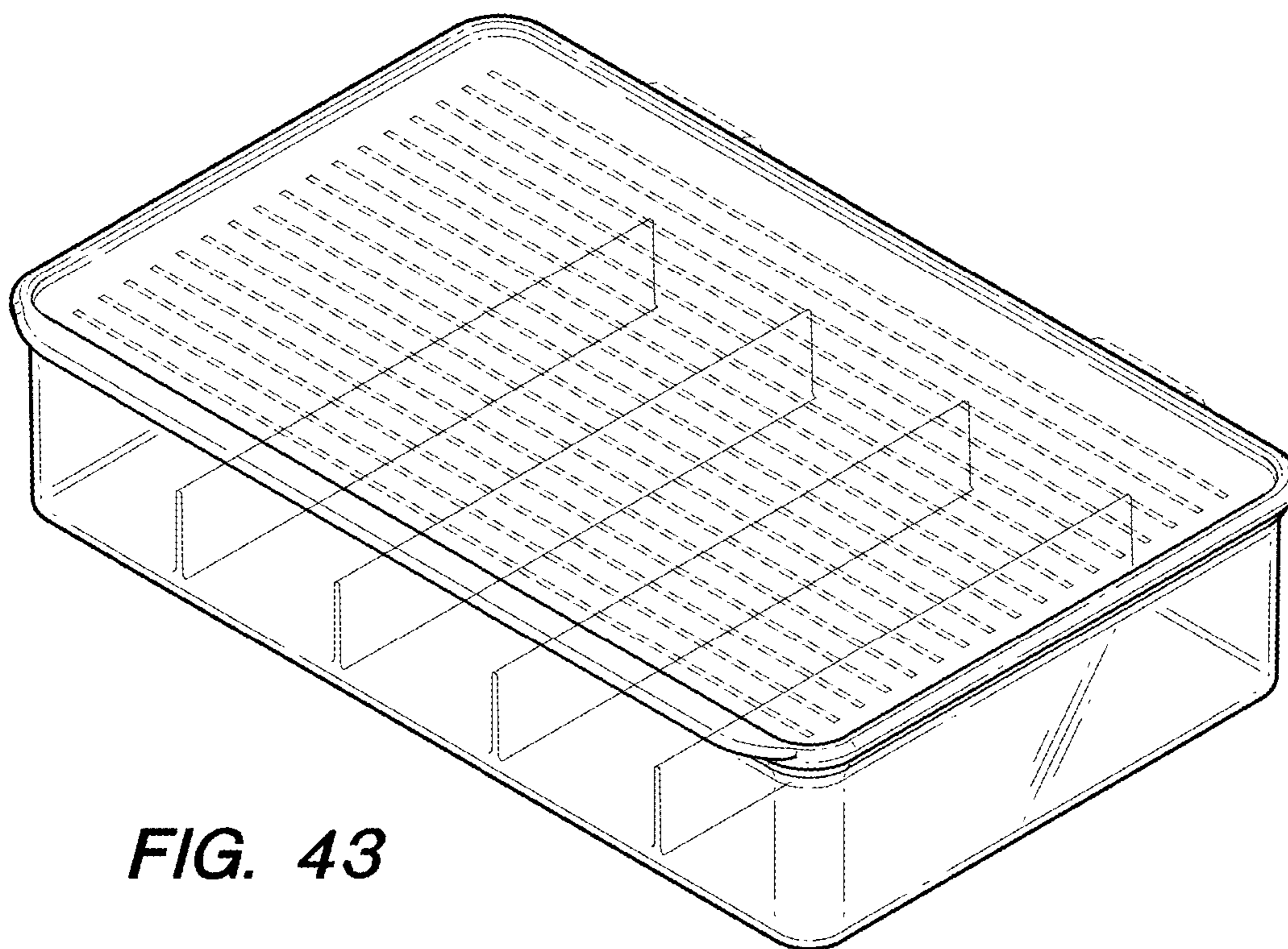


**FIG. 41**

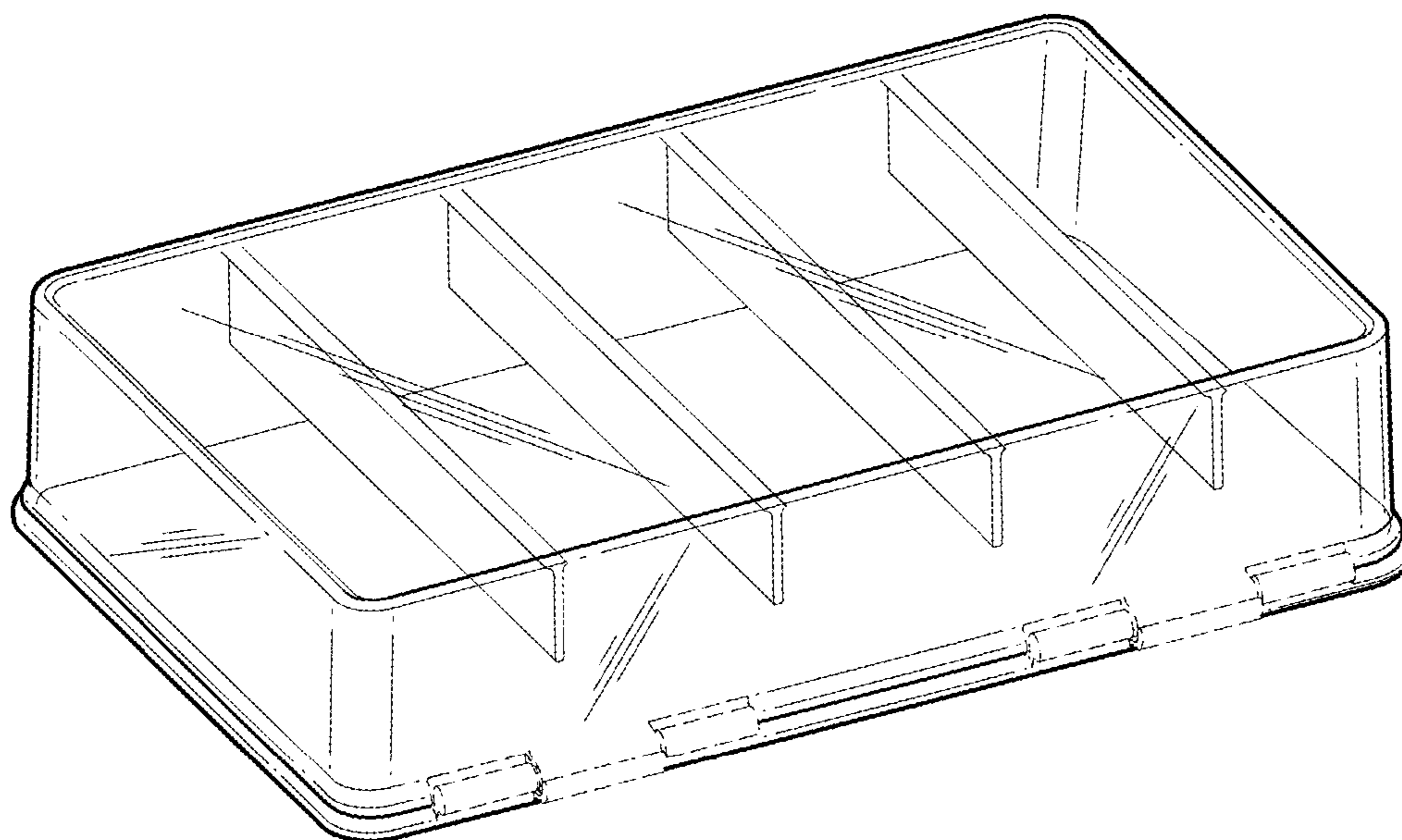


**FIG. 42**

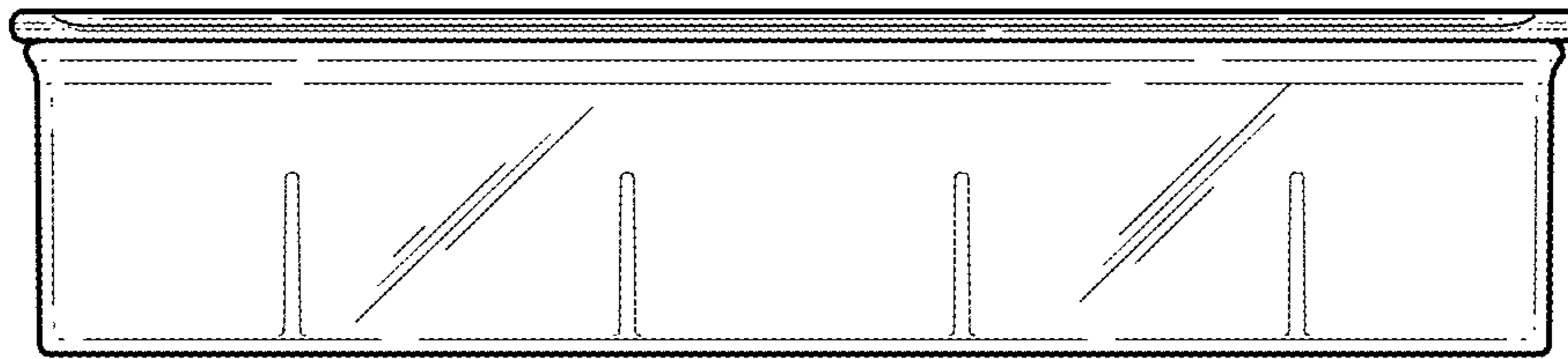




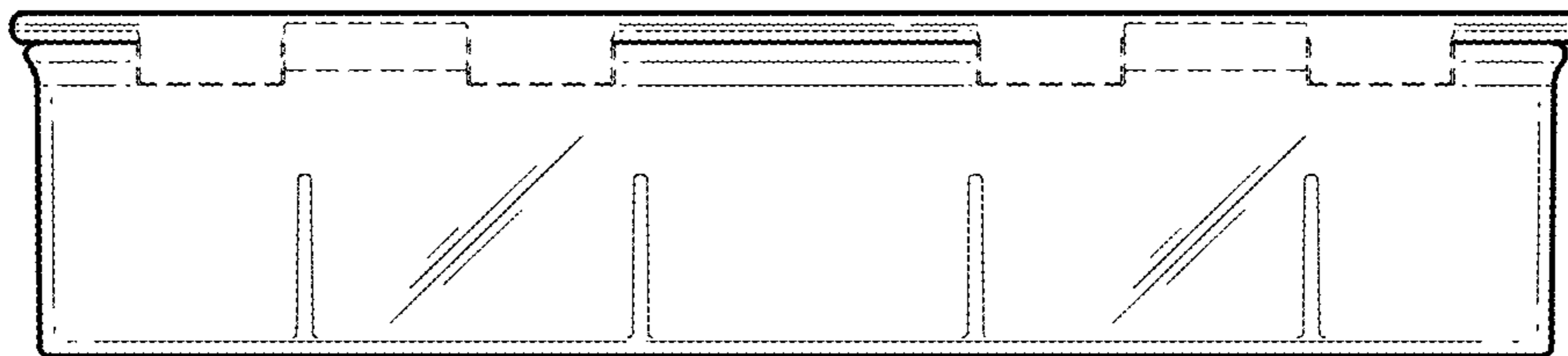
**FIG. 43**



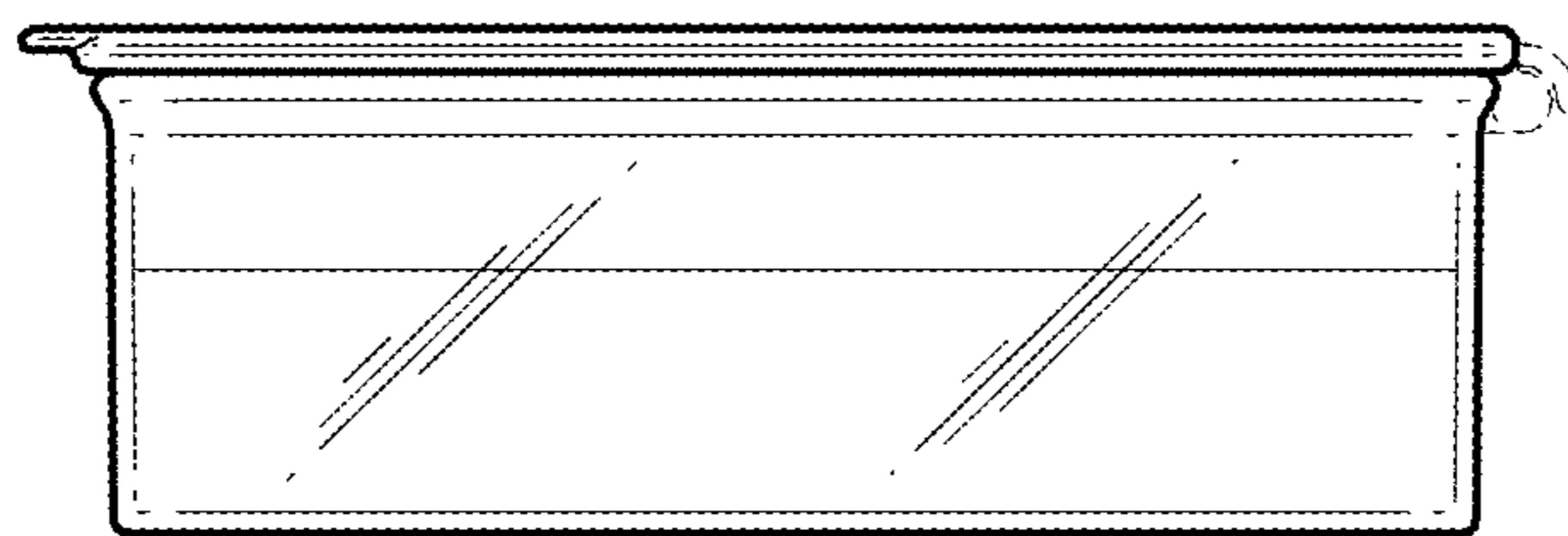
**FIG. 44**



**FIG. 45**

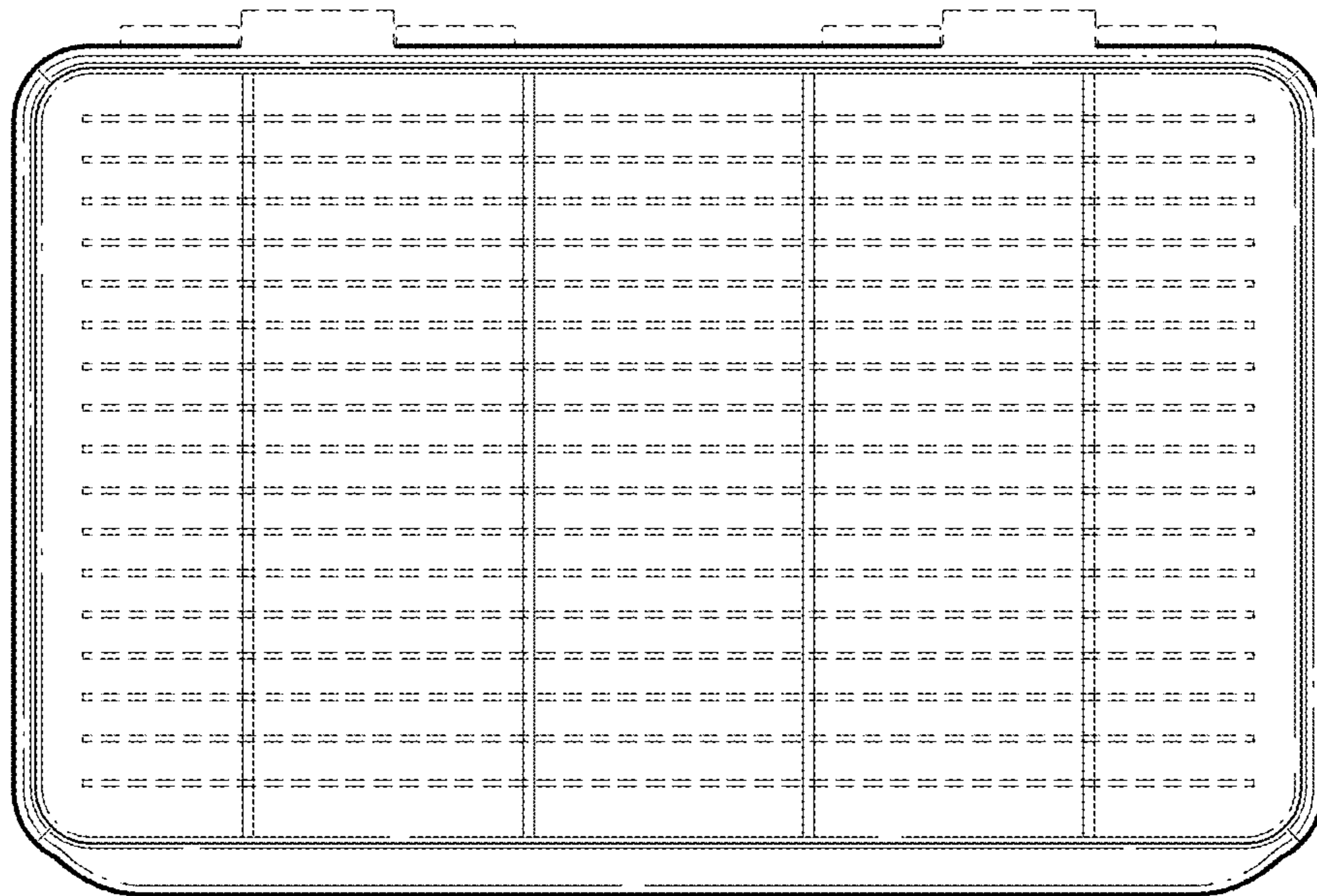


**FIG. 46**

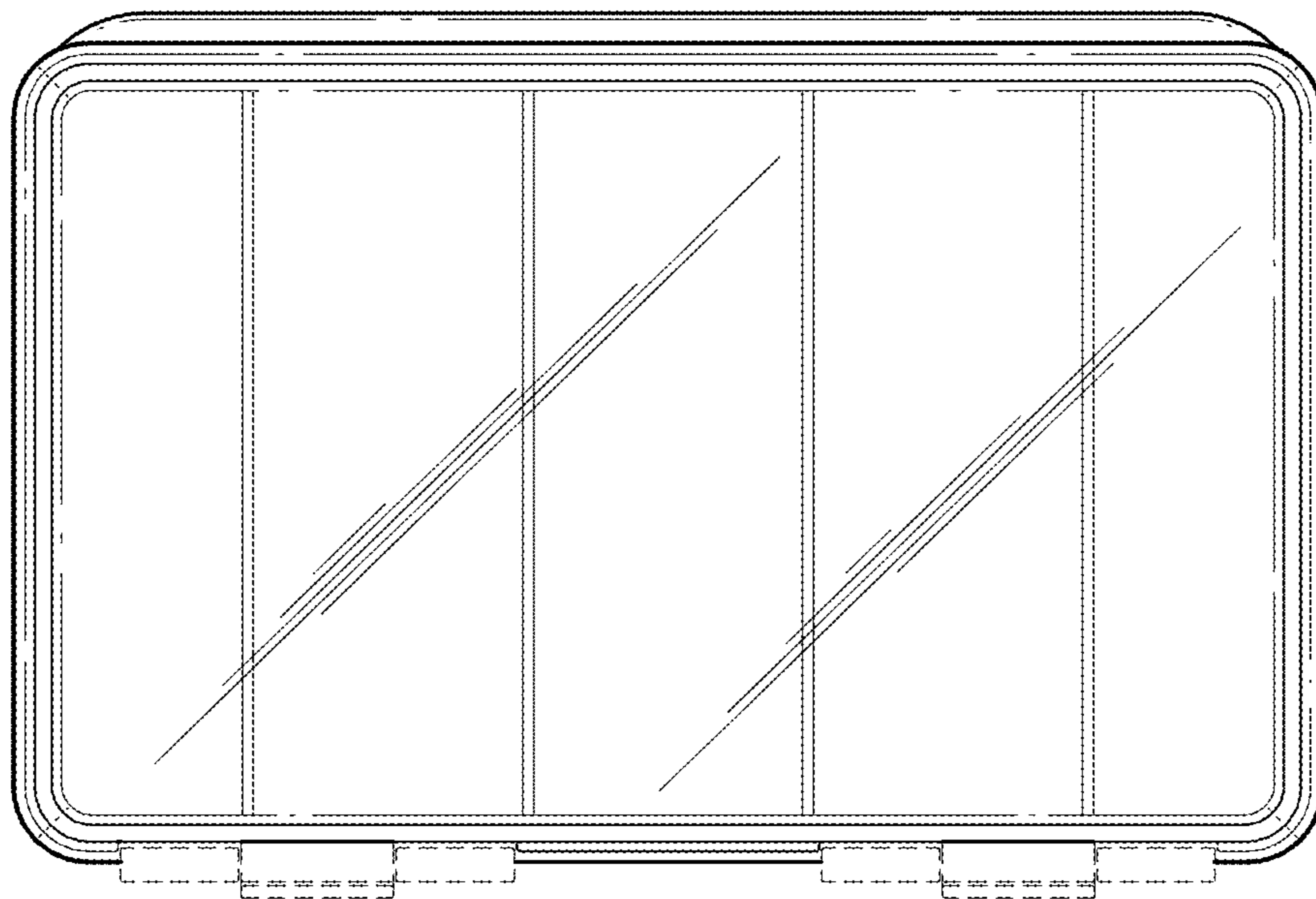


**FIG. 47**

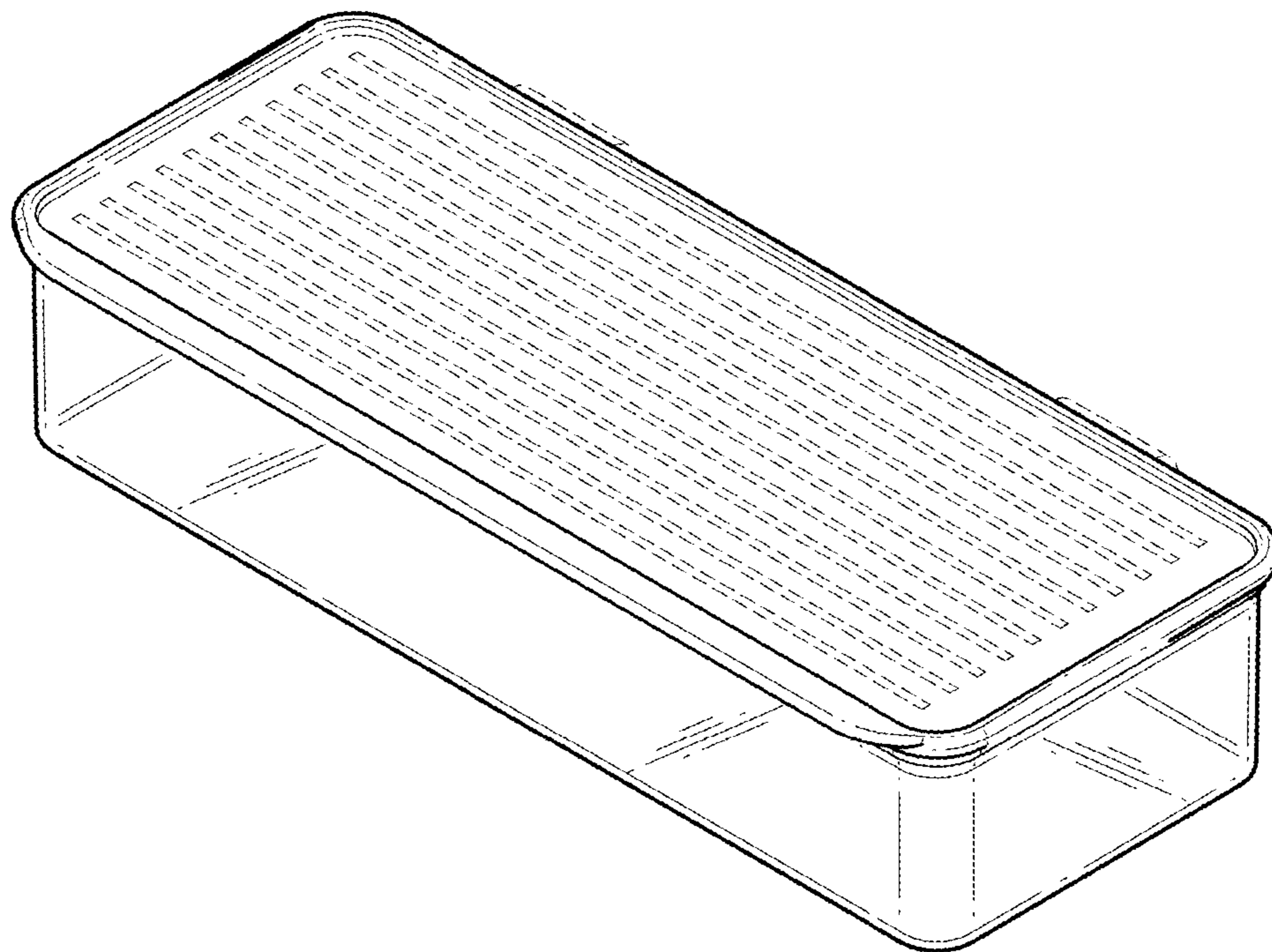




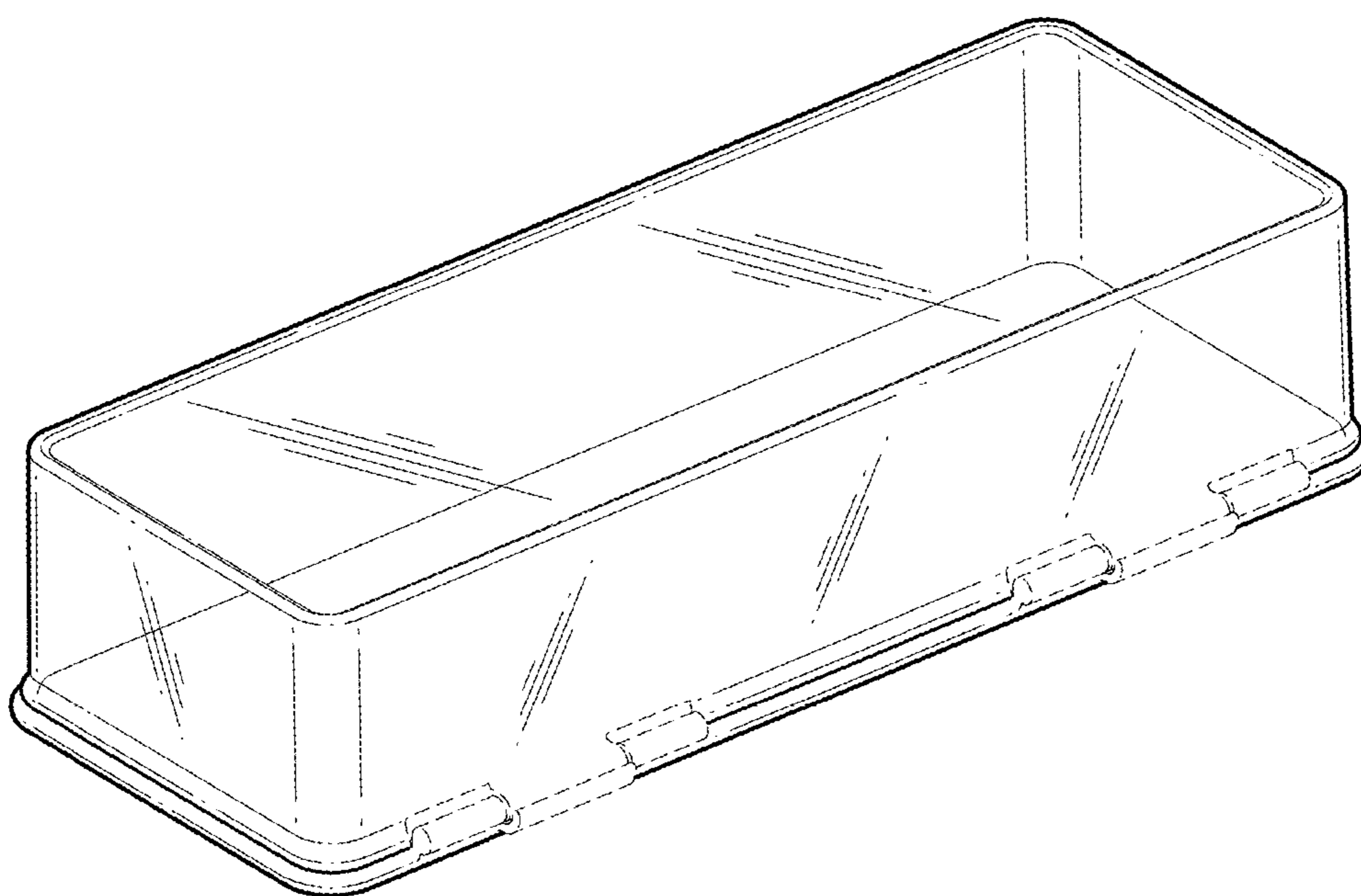
**FIG. 48**



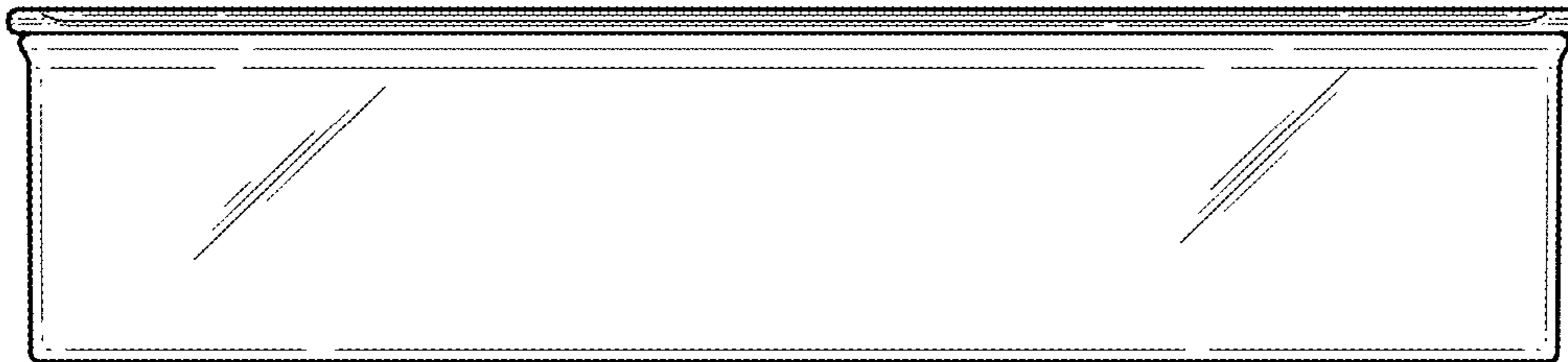
**FIG. 49**



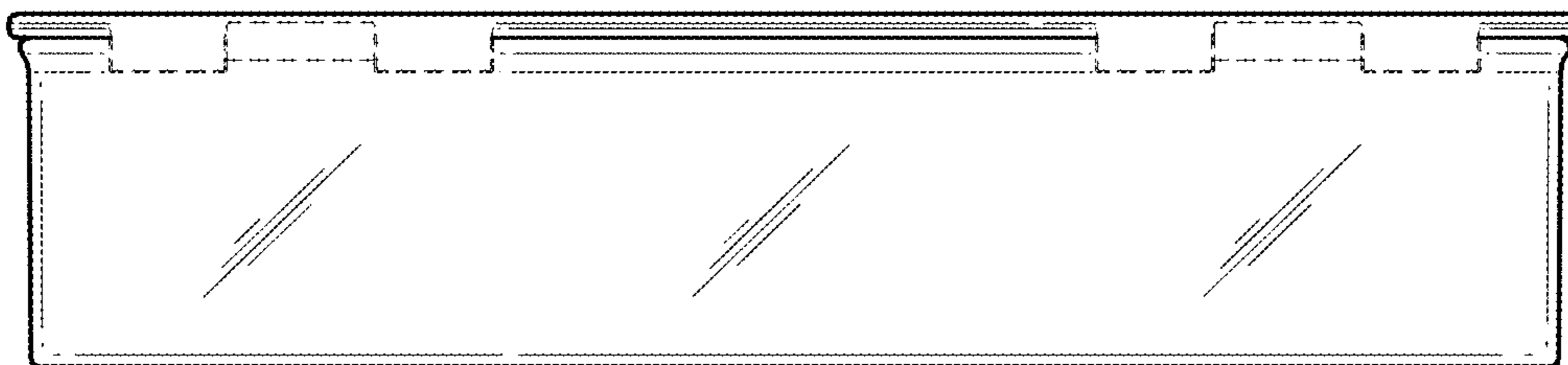
**FIG. 50**



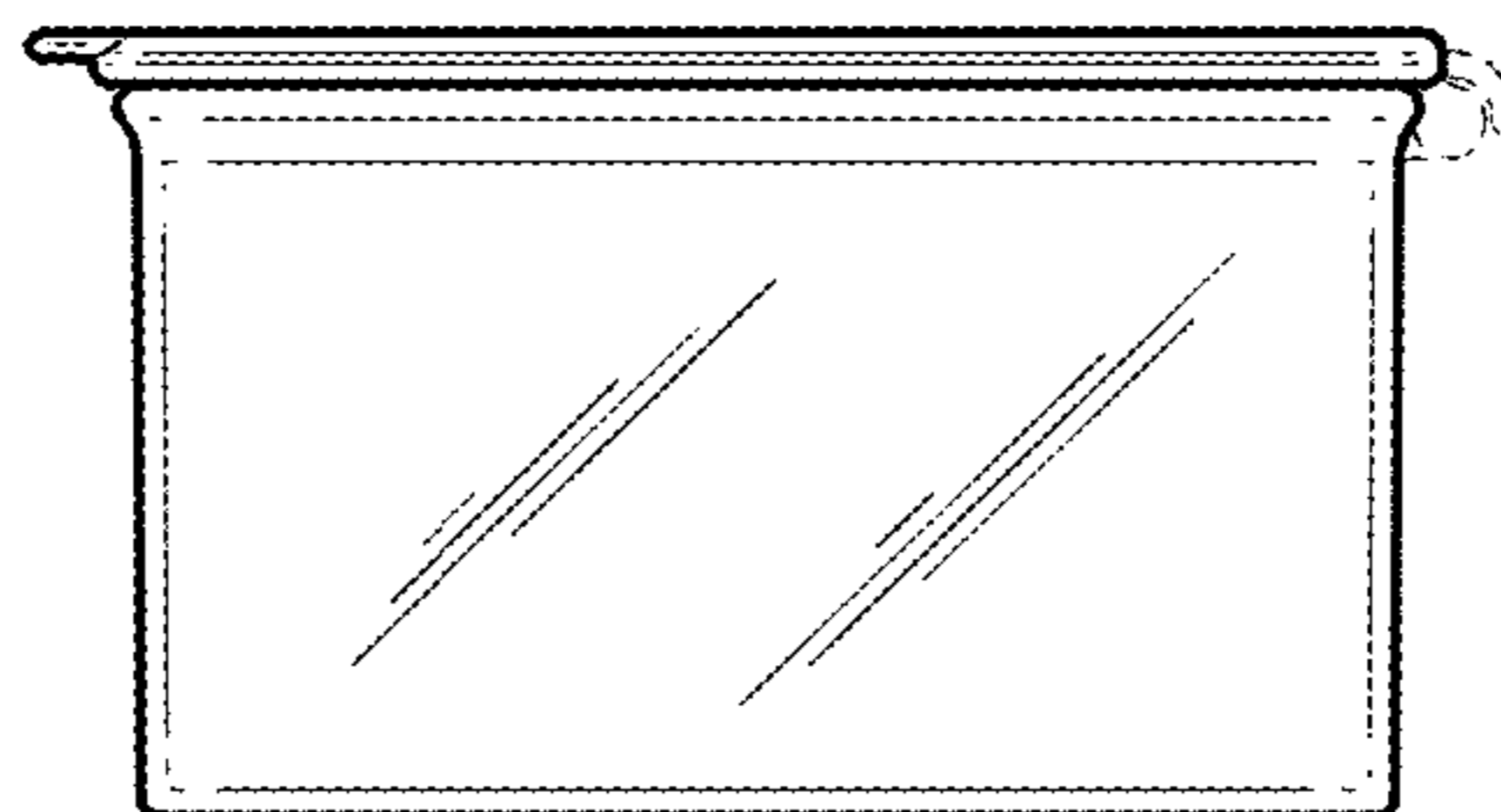
**FIG. 51**



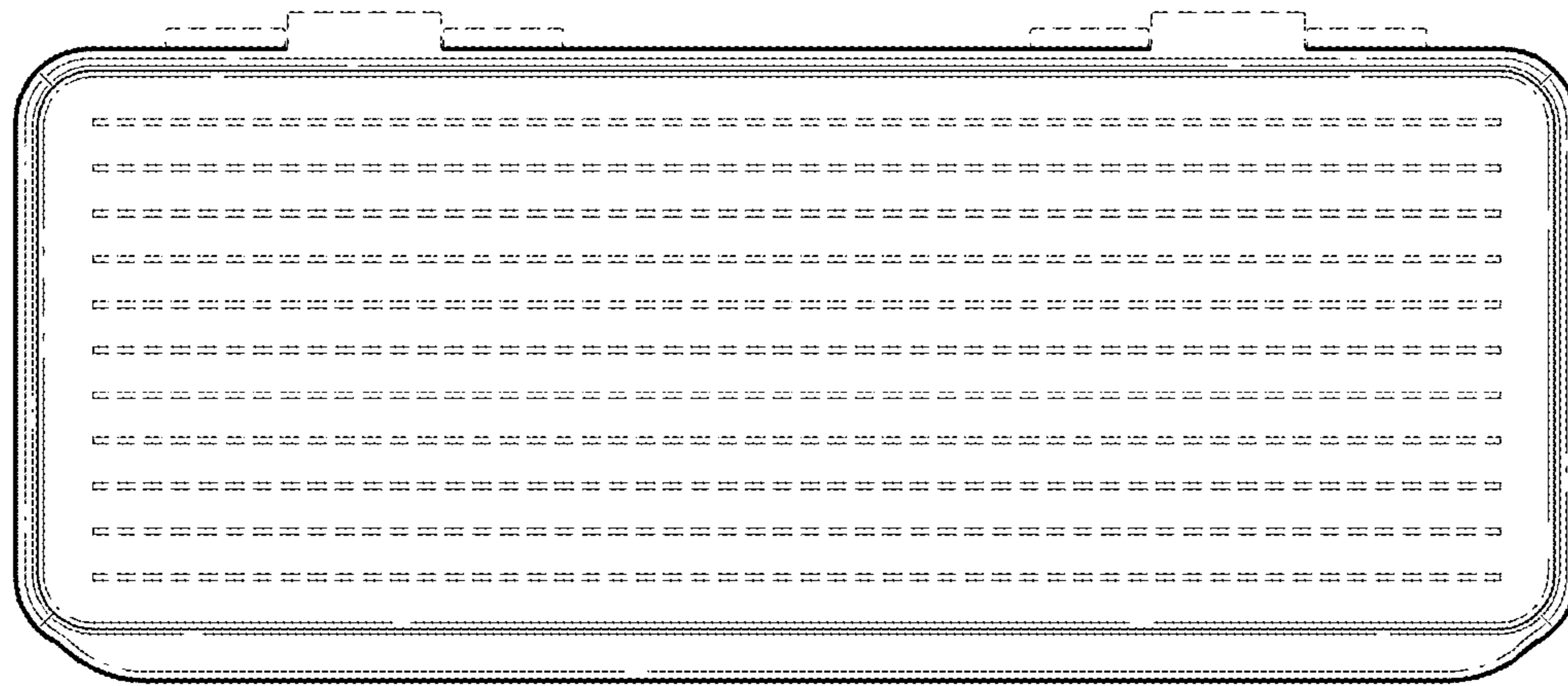
**FIG. 52**



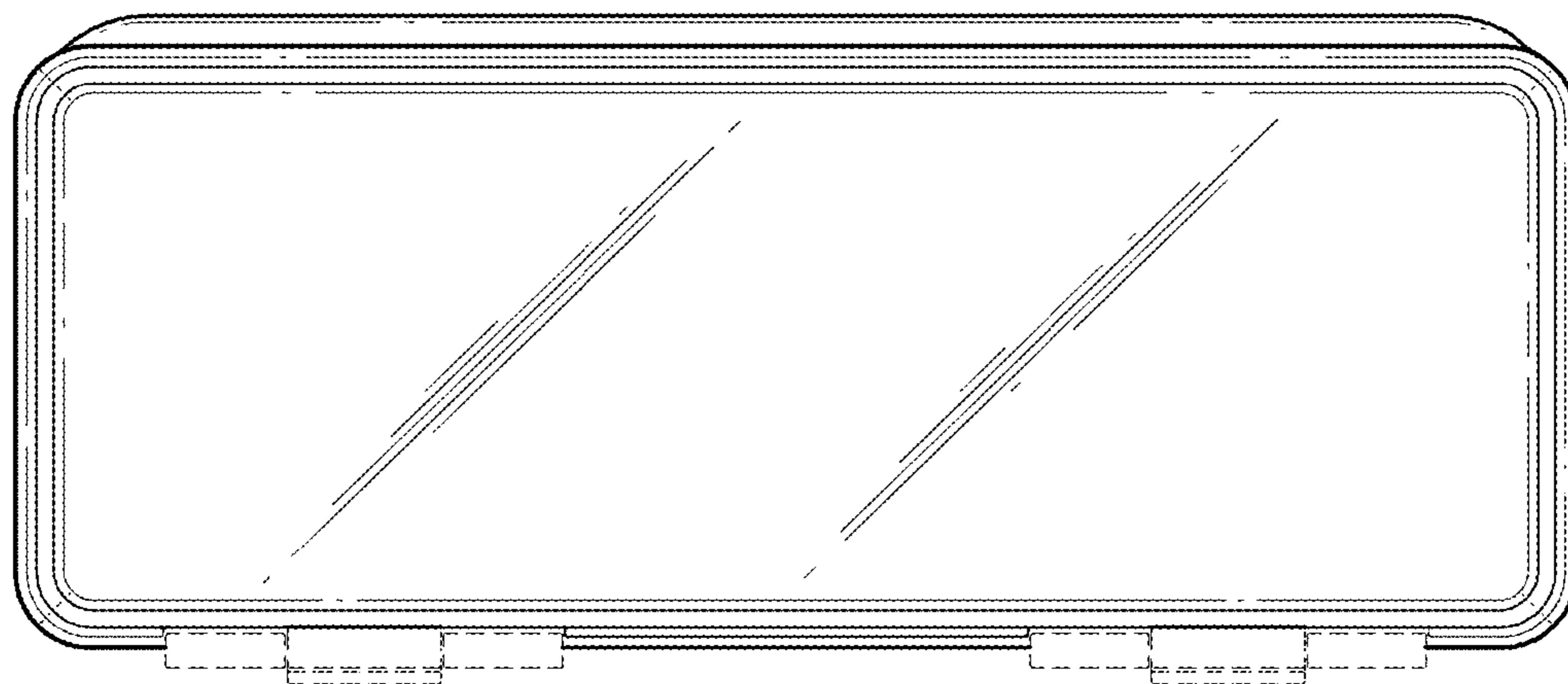
**FIG. 53**



**FIG. 54**

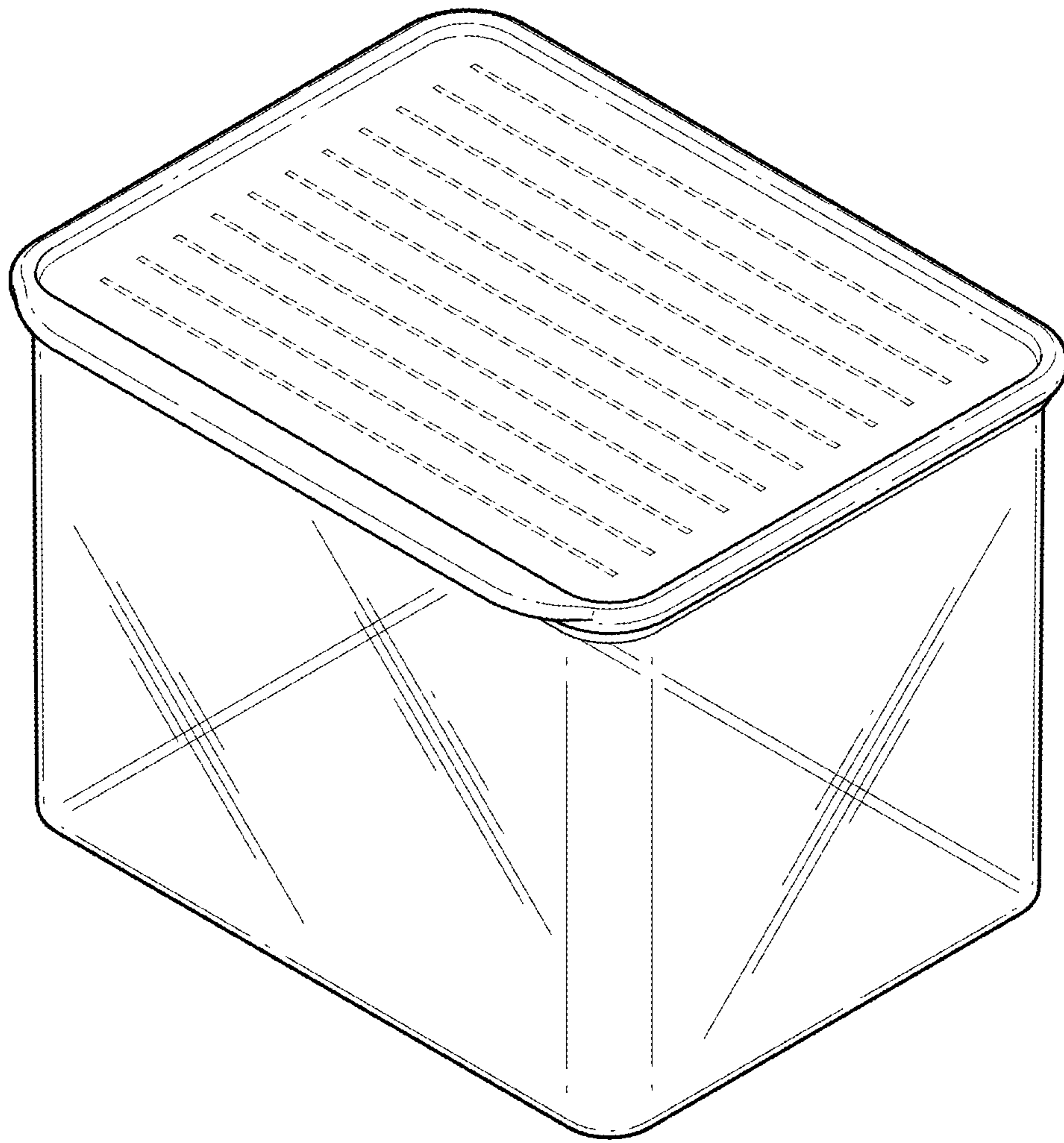


**FIG. 55**



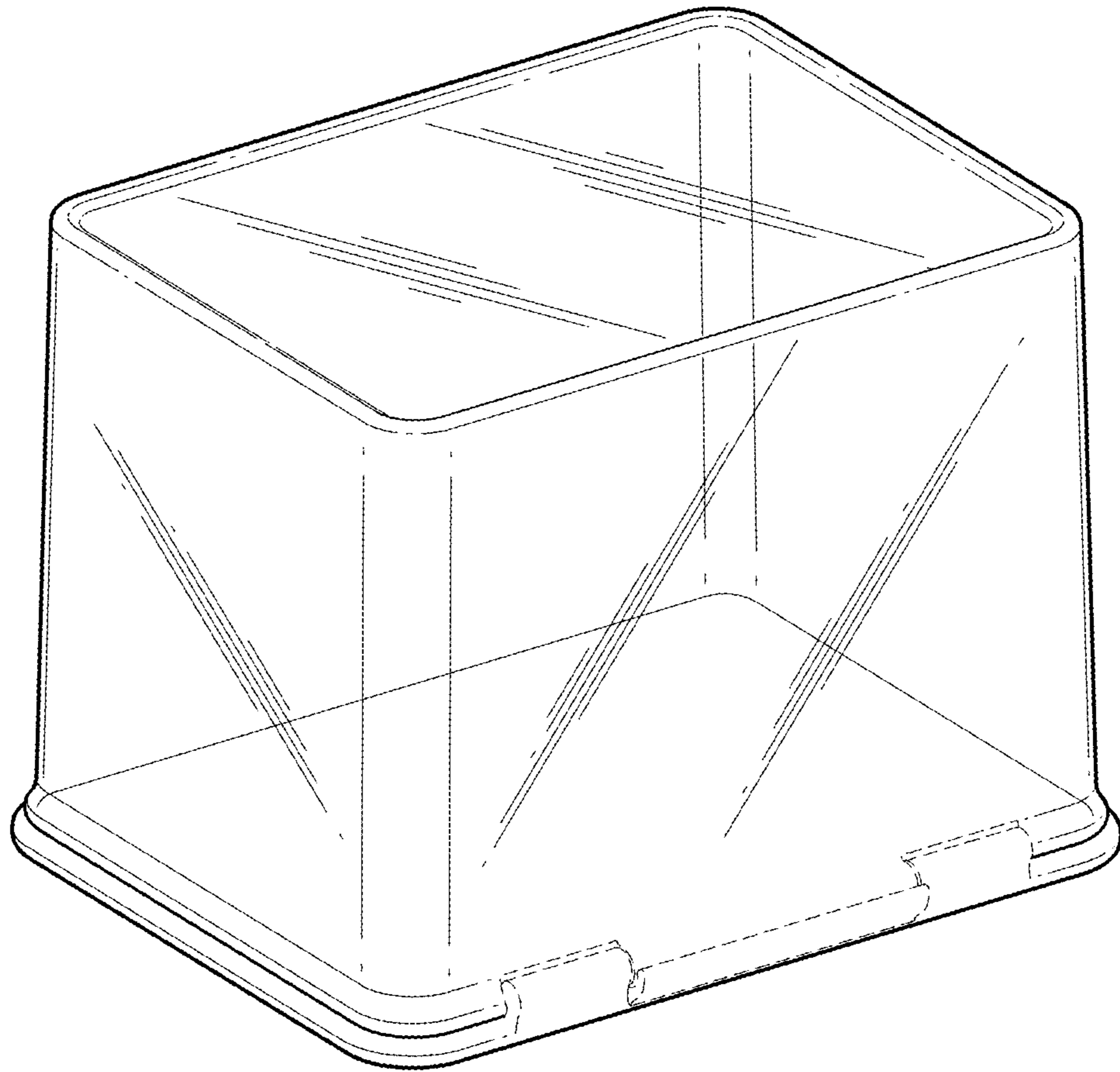
**FIG. 56**



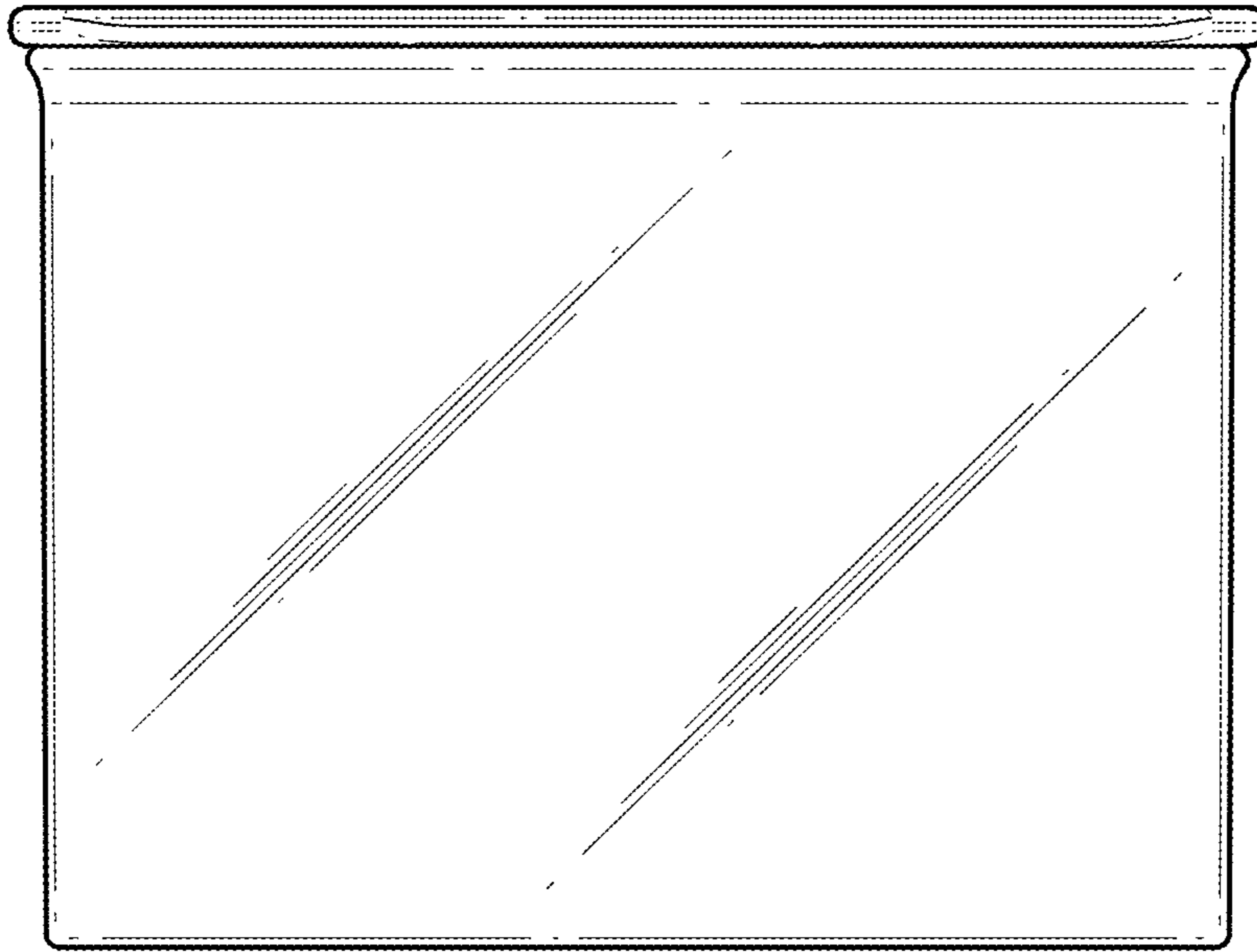


**FIG. 57**

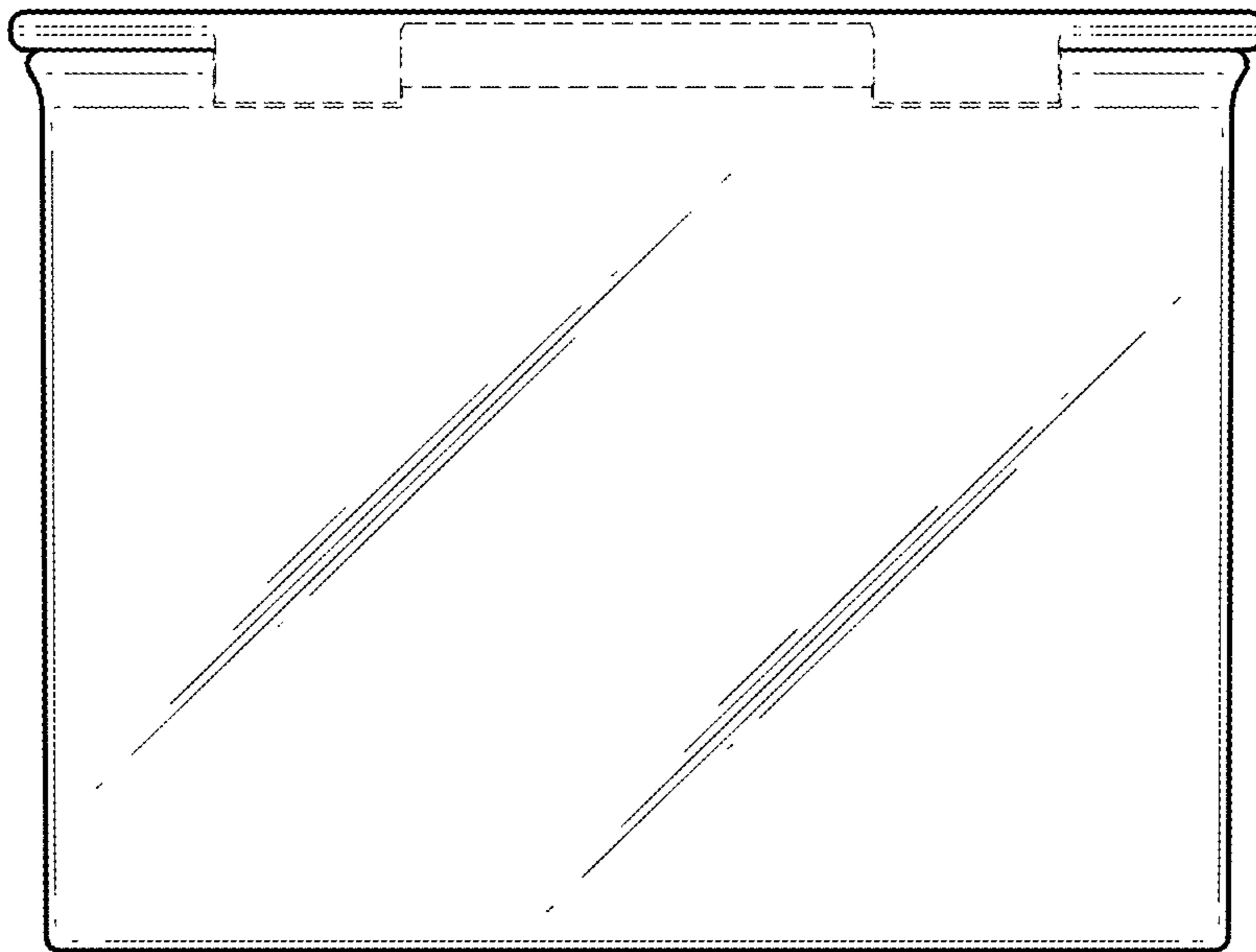




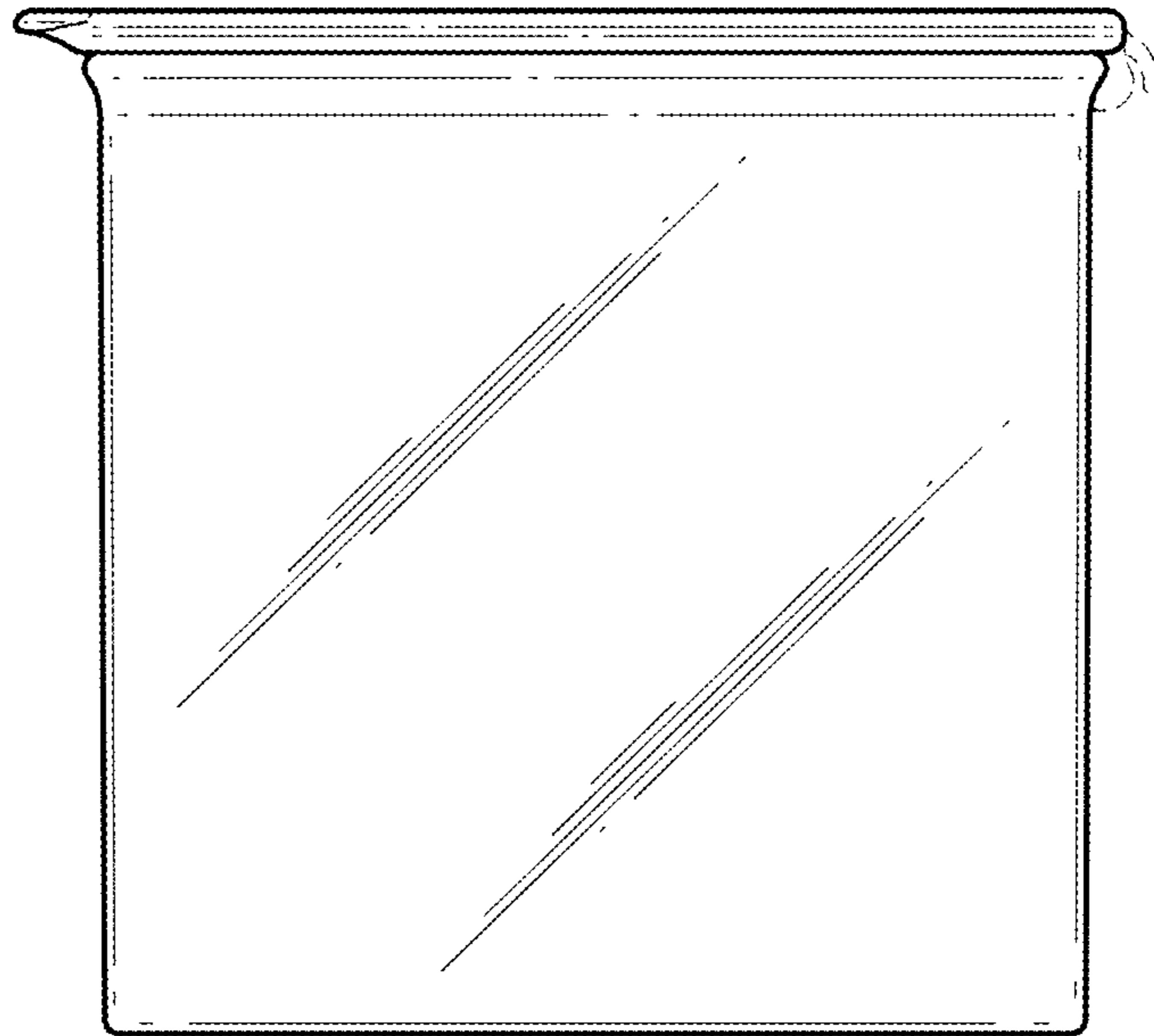
**FIG. 58**



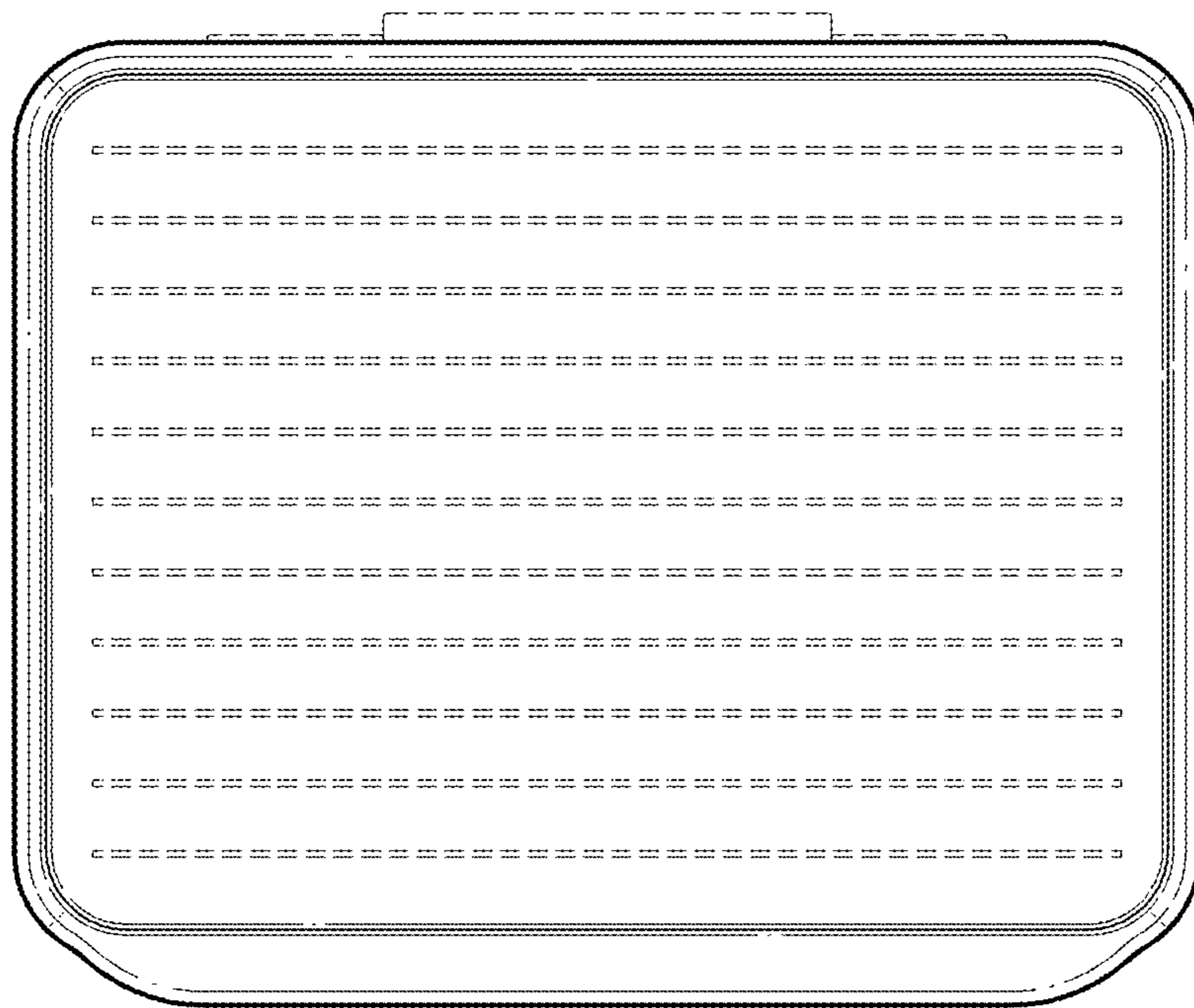
**FIG. 59**



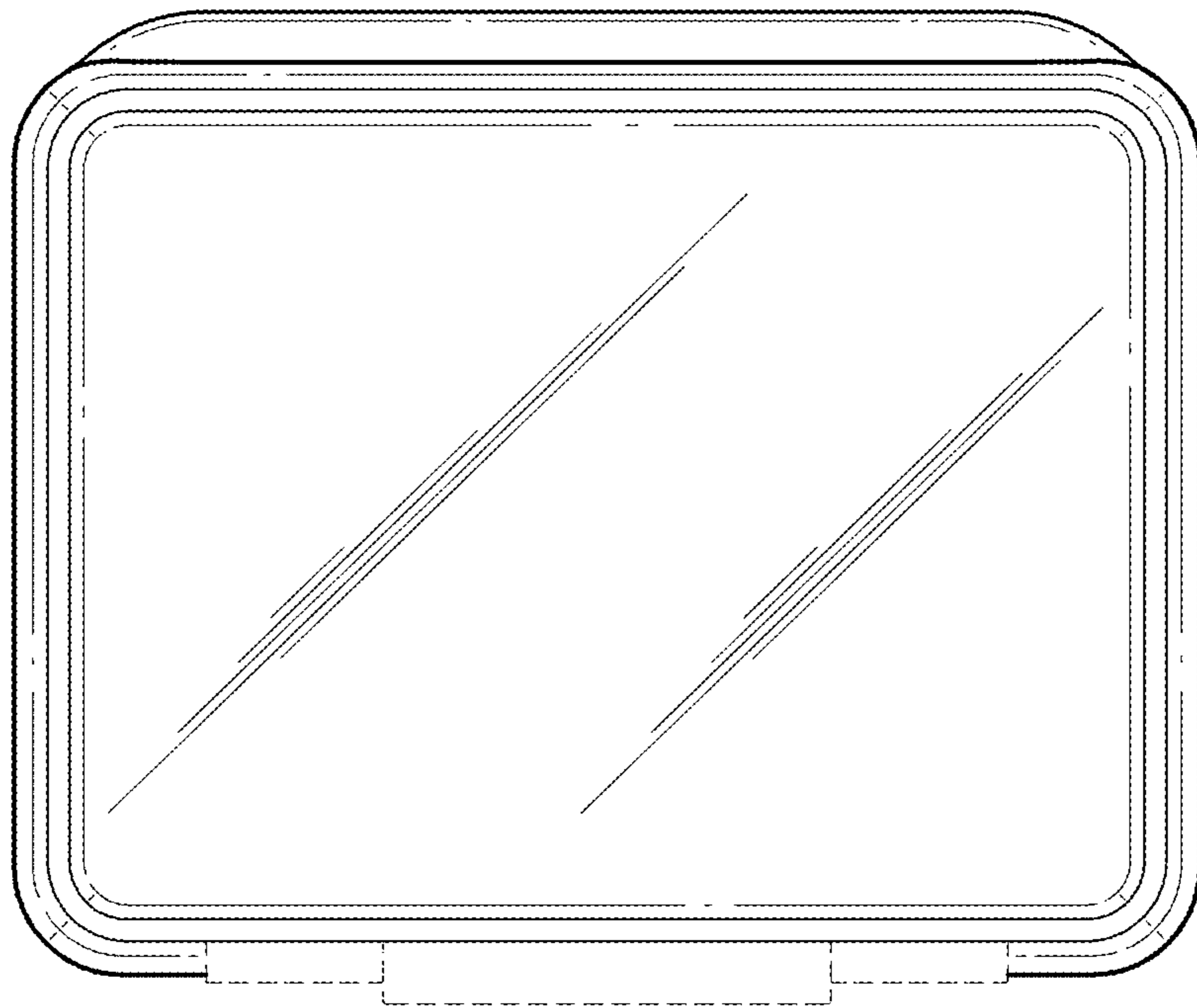
**FIG. 60**



**FIG. 61**



**FIG. 62**



**FIG. 63**