



US00D767946S

(12) **United States Design Patent**
Mayer

(10) **Patent No.:** **US D767,946 S**
(45) **Date of Patent:** **** Oct. 4, 2016**

- (54) **BEVERAGE DETERMINATION INDICATOR**
- (71) Applicant: **Simone Mayer**, Miami Shores, FL (US)
- (72) Inventor: **Simone Mayer**, Miami Shores, FL (US)
- (**) Term: **15 Years**
- (21) Appl. No.: **29/560,019**
- (22) Filed: **Apr. 1, 2016**

Related U.S. Application Data

- (60) Division of application No. 29/447,906, filed on Mar. 7, 2013, now Pat. No. Des. 755,576, which is a division of application No. 29/390,090, filed on Apr. 20, 2011, now abandoned, which is a continuation of application No. 29/326,802, filed on Oct. 24, 2008, now Pat. No. Des. 638,664.
- (51) **LOC (10) Cl.** **07-06**
- (52) **U.S. Cl.**
USPC **D7/624.1**
- (58) **Field of Classification Search**
USPC D7/601, 619.1, 624.1, 625, 637,
D7/640-641, 388; 211/41.1-41.2, 41.7,
211/60.1, 70.6-70.7, 74-75; 248/37.3,
248/37.6, 176.1-176.2
CPC A47G 23/03; A47G 23/0306; A47G
23/0316; A47G 23/032
See application file for complete search history.

(56) **References Cited**

U.S. PATENT DOCUMENTS

1,960,606 A	5/1934	Verbeck
2,672,250 A	3/1954	Haslett
2,601,312 A	6/1954	McGrew
3,486,753 A	12/1969	Mansfield
D339,829 S	9/1993	Adell
D339,830 S	9/1993	Adell
D339,831 S	9/1993	Adell
D343,206 S	1/1994	Adell
D346,410 S	4/1994	Adell

D350,162 S	8/1994	Adell	
D351,004 S	9/1994	Adell	
5,803,454 A	9/1998	Adell	
D460,899 S	7/2002	Tu	
D541,595 S	5/2007	Barnes	
D575,981 S	9/2008	Pourounidis et al.	
D638,664 S	5/2011	Mayer	
D755,576 S *	5/2016	Mayer	D7/624.1
2005/0077447 A1	4/2005	Martindale-Sharp	
2010/0051632 A1	3/2010	Mayer	

* cited by examiner

Primary Examiner — Dana L Meyrow

(74) *Attorney, Agent, or Firm* — Proskauer Rose LLP

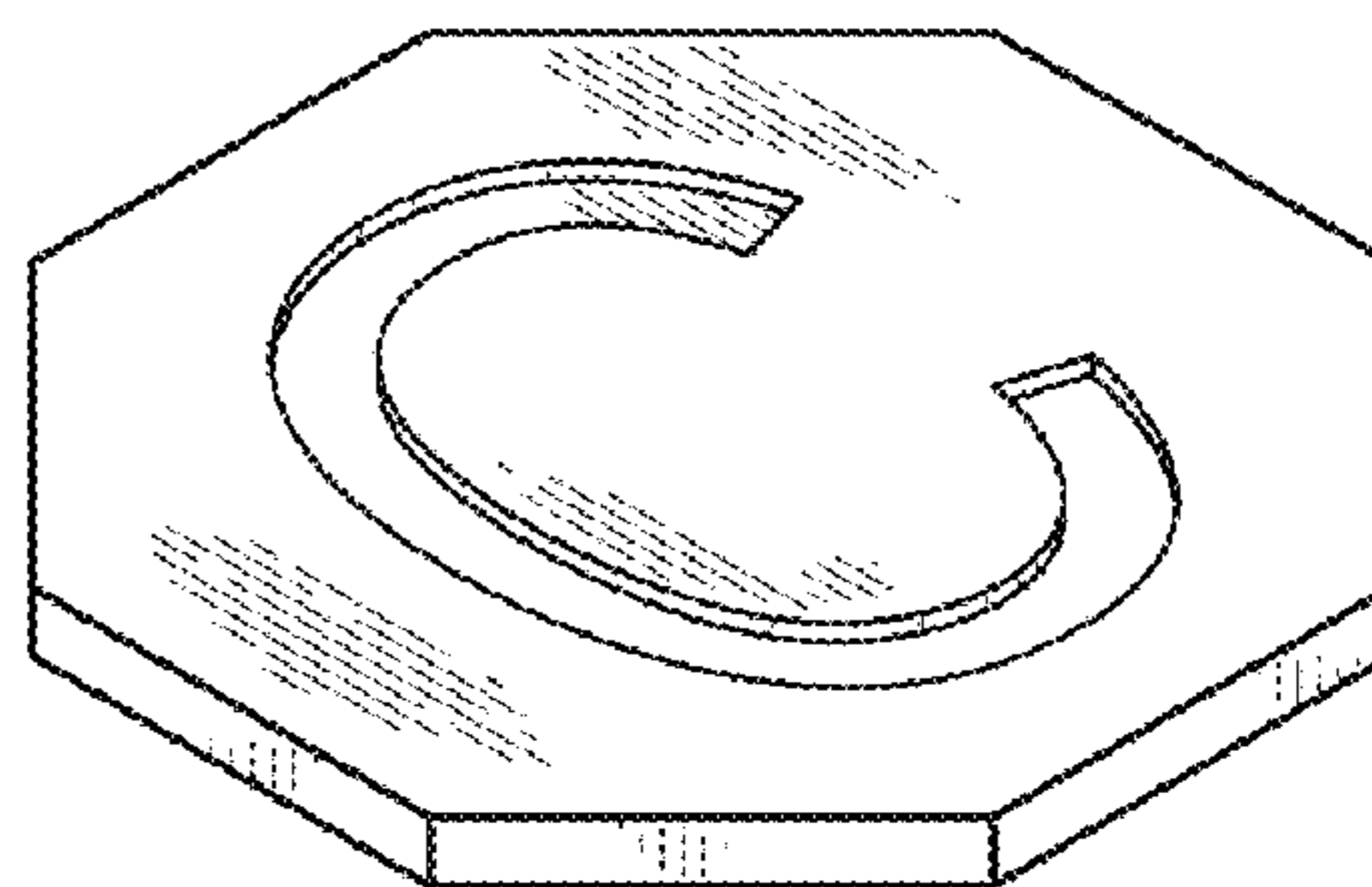
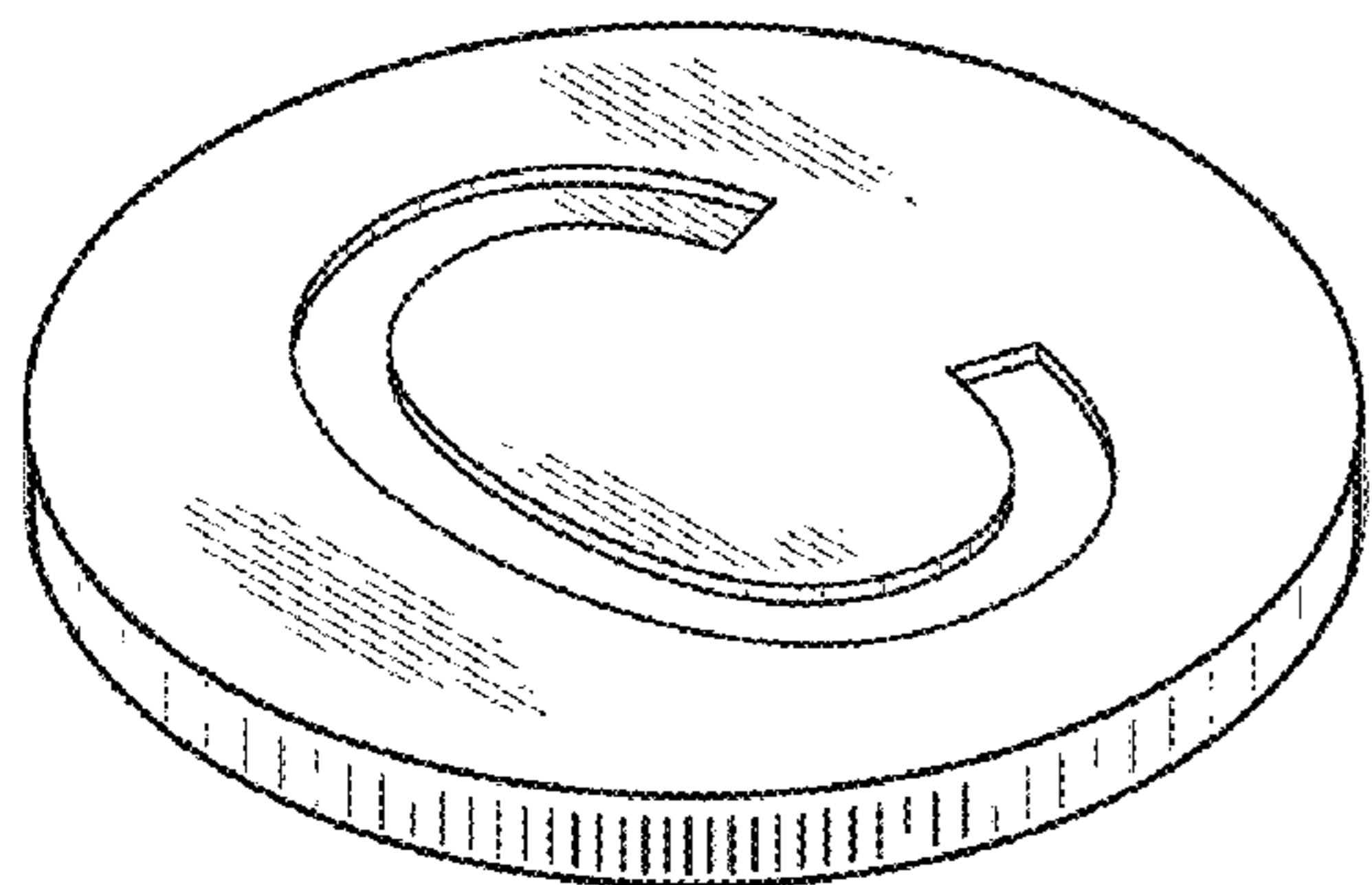
(57) **CLAIM**

The ornamental design for a beverage determination indicator, as shown and described.

DESCRIPTION

FIG. 1 is a top perspective view of a first embodiment of a beverage determination indicator;
 FIG. 2 is a bottom perspective view thereof;
 FIG. 3 is a top plan view thereof;
 FIG. 4 is a bottom plan view thereof;
 FIG. 5 is a front elevation view, the left side, right side and rear elevation views being identical;
 FIG. 6 is a top perspective view of a second embodiment of a beverage determination indicator;
 FIG. 7 is a bottom perspective view thereof;
 FIG. 8 is a top plan view thereof;
 FIG. 9 is a bottom plan view thereof;
 FIG. 10 is a front elevation view thereof, the left side, right side, and rear elevation views being identical;
 FIG. 11 is a top perspective view of a third embodiment of a beverage determination indicator;
 FIG. 12 is a bottom perspective view thereof;
 FIG. 13 is a top plan view thereof;
 FIG. 14 is a bottom plan view thereof; and,
 FIG. 15 is a front elevation view thereof, the left side, right side, and rear elevation views being identical.

1 Claim, 6 Drawing Sheets



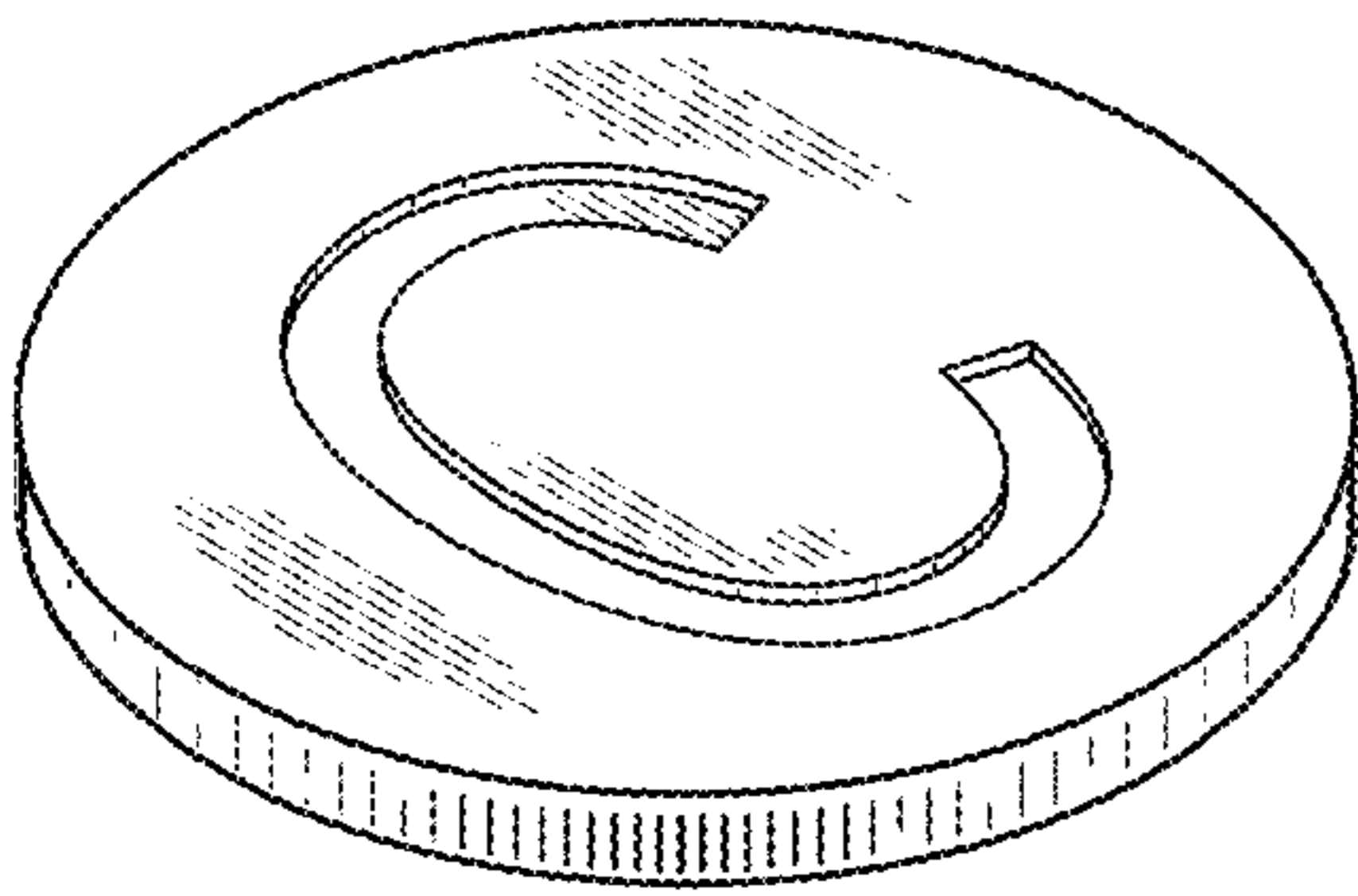


FIG. 1

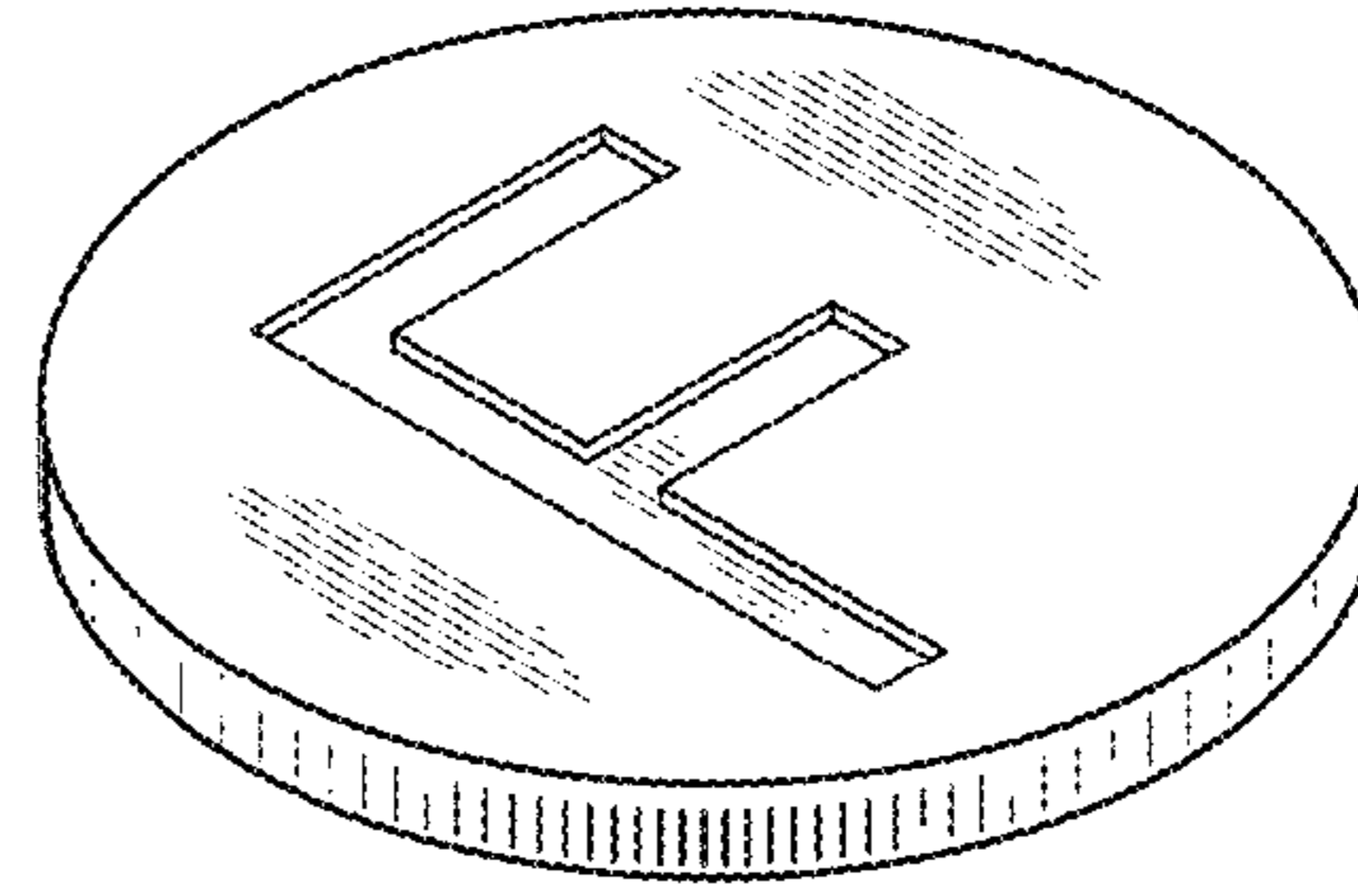


FIG. 2

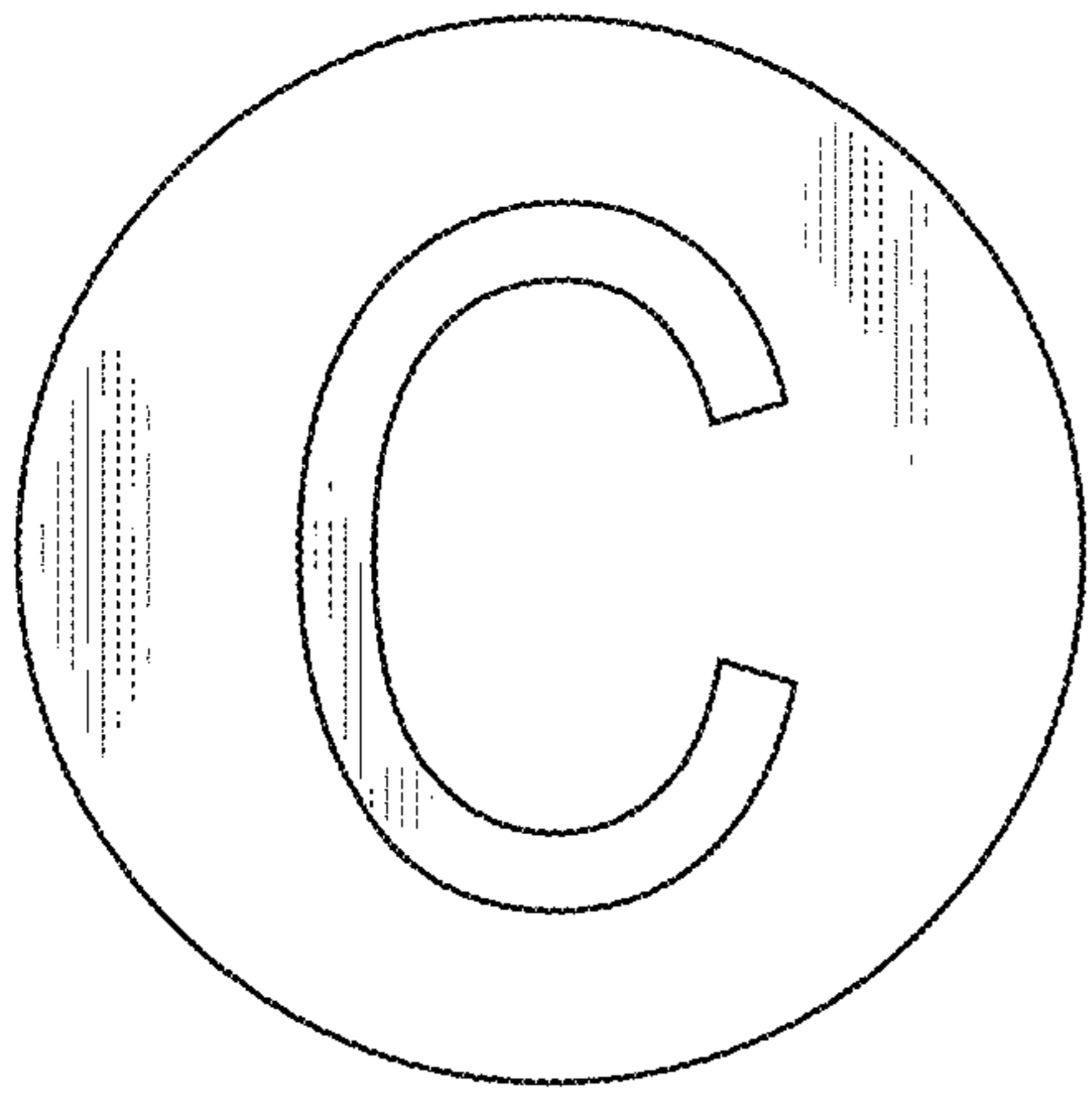


FIG. 3

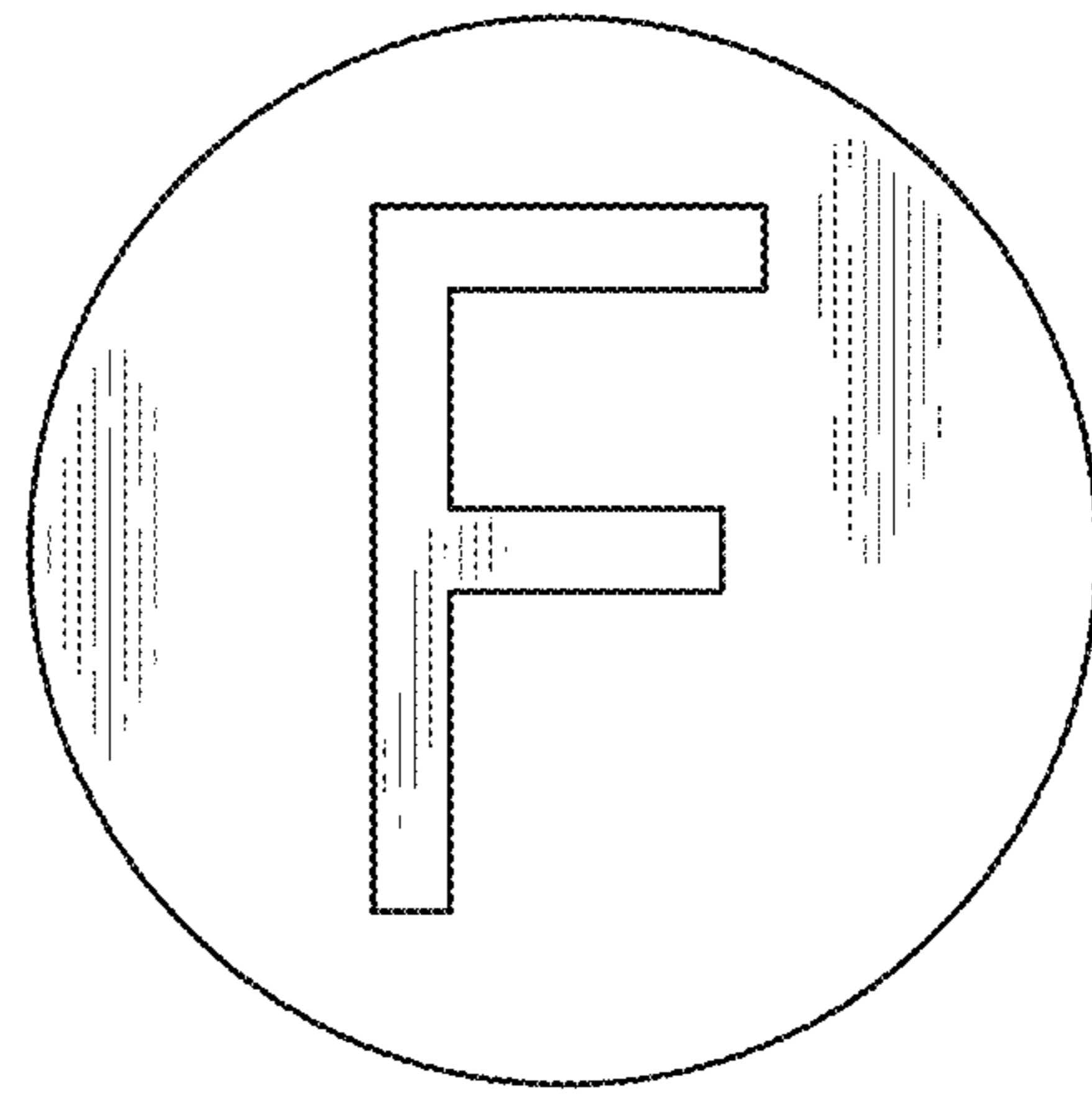


FIG. 4



FIG. 5

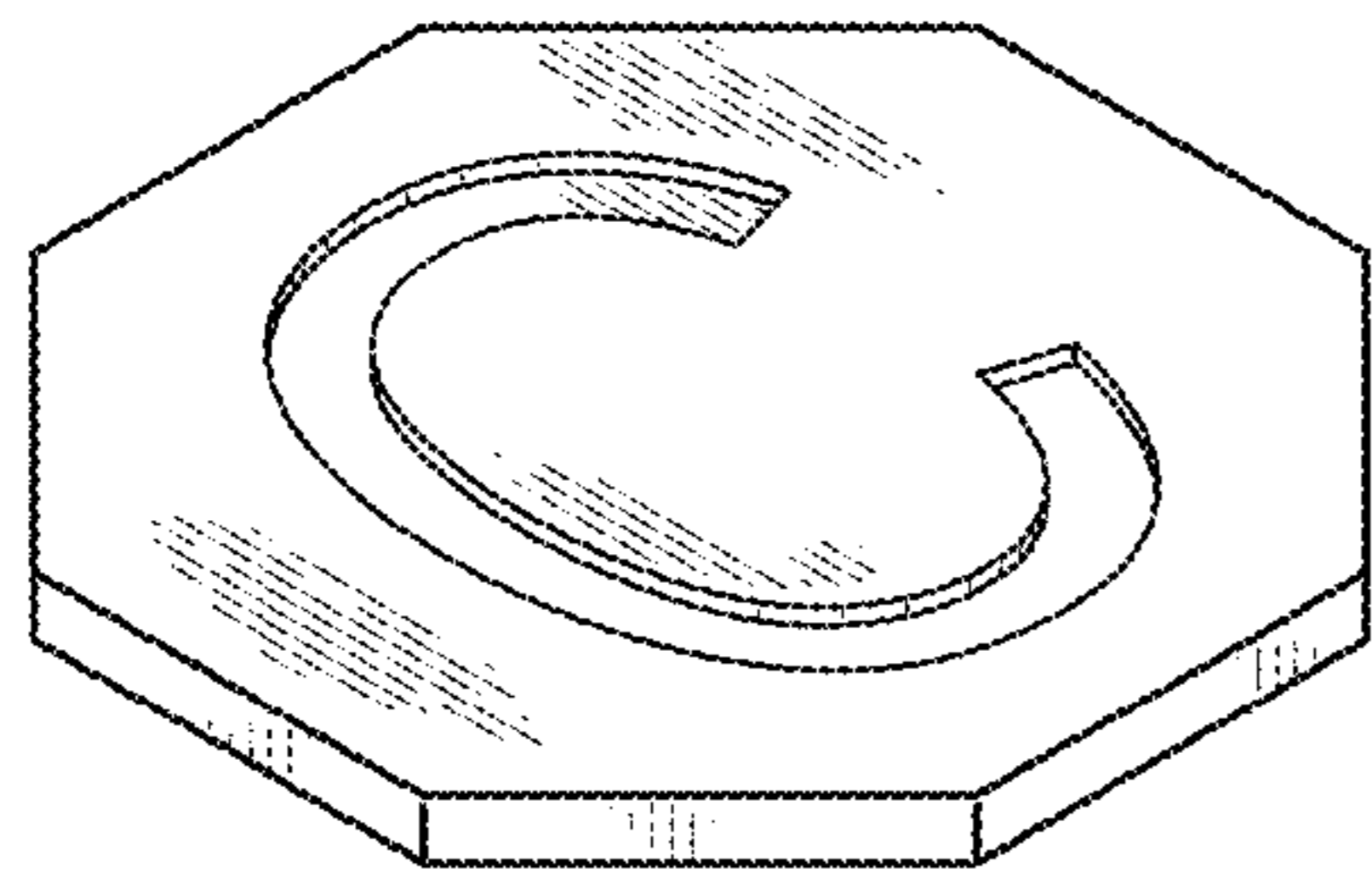


FIG. 6

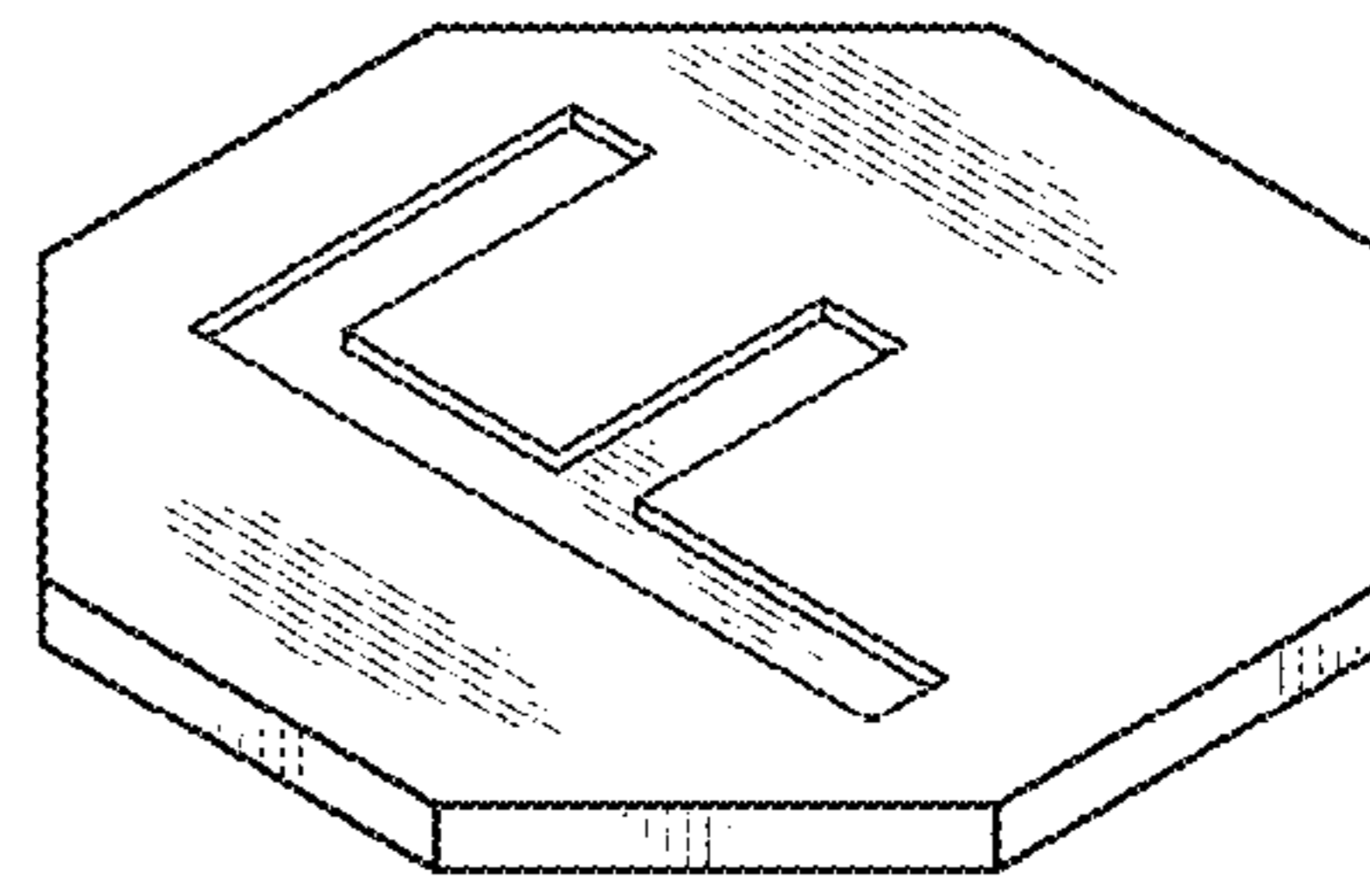


FIG. 7

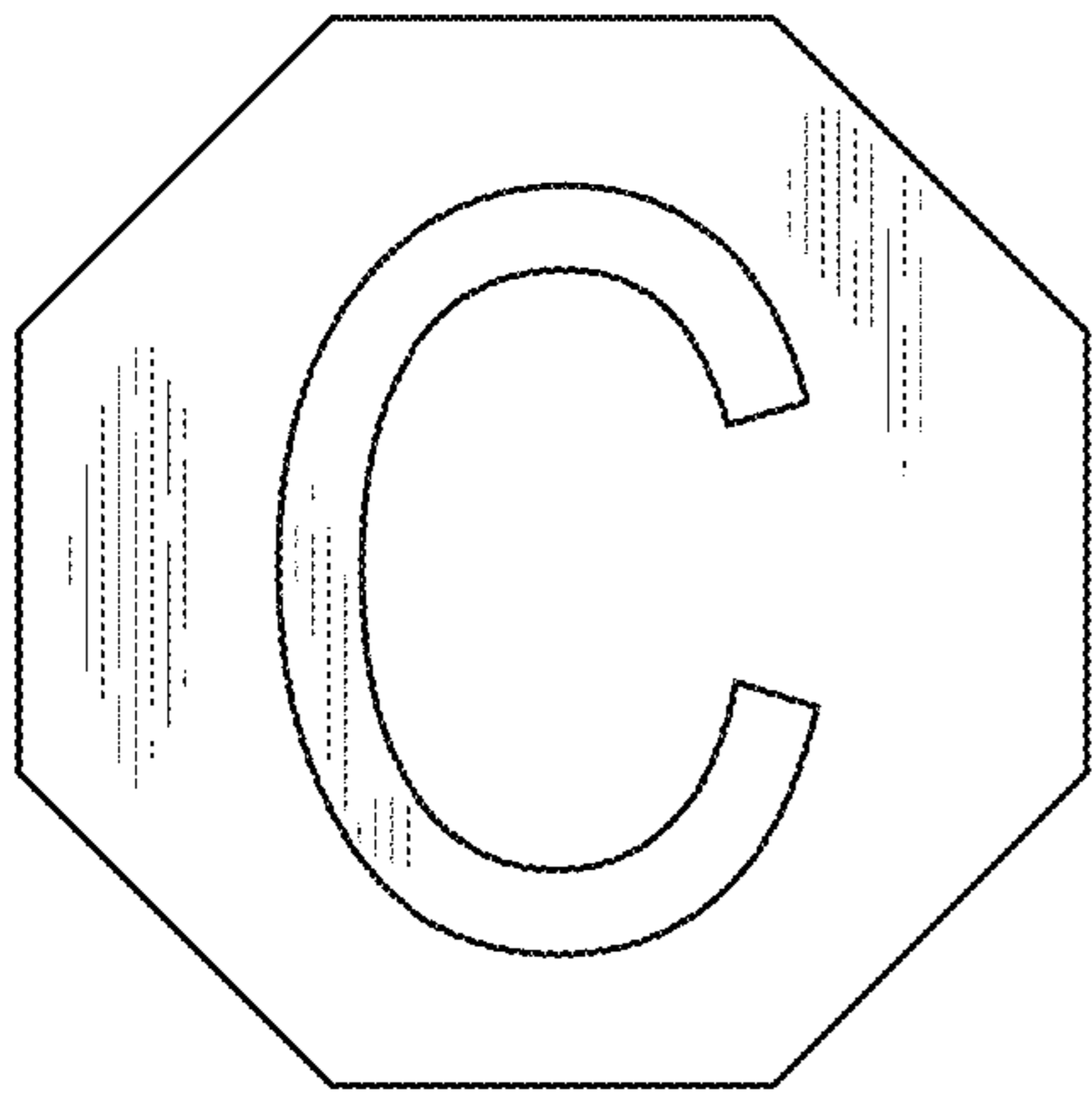


FIG. 8

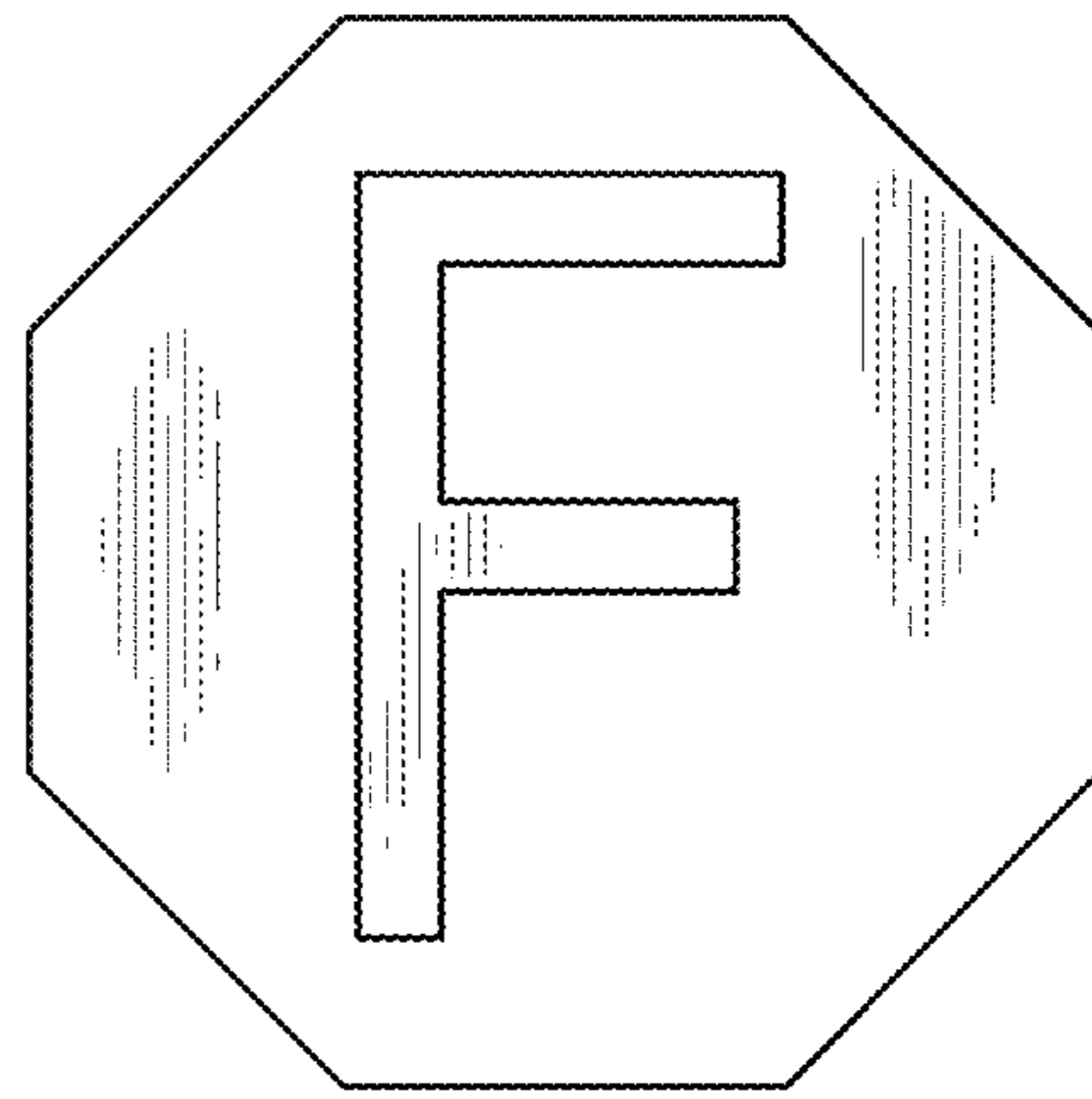


FIG. 9

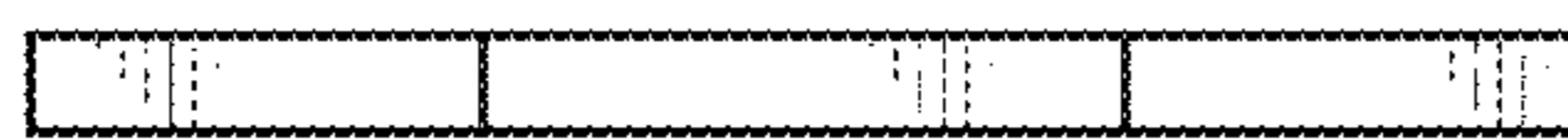


FIG. 10

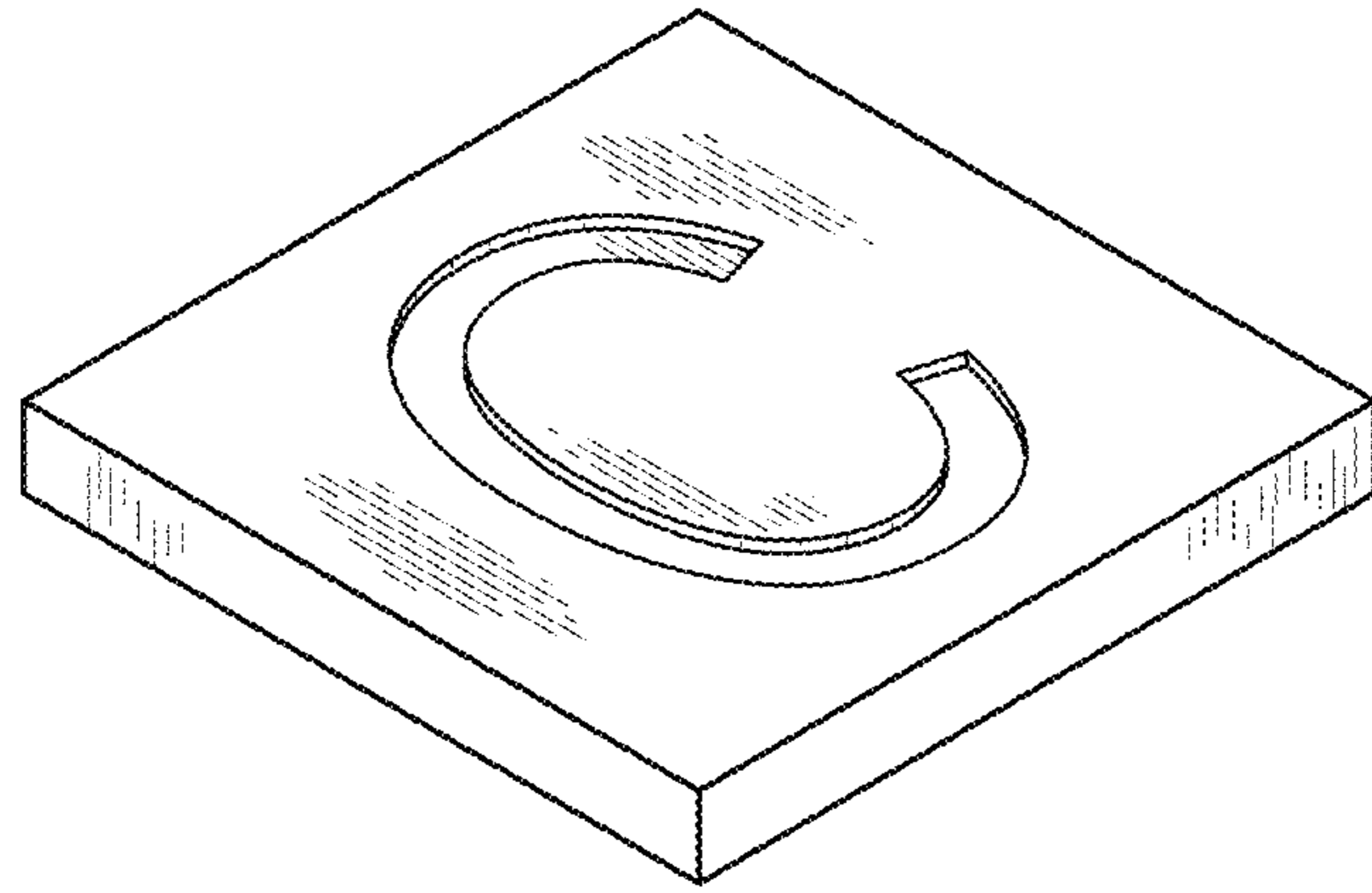


FIG. 11

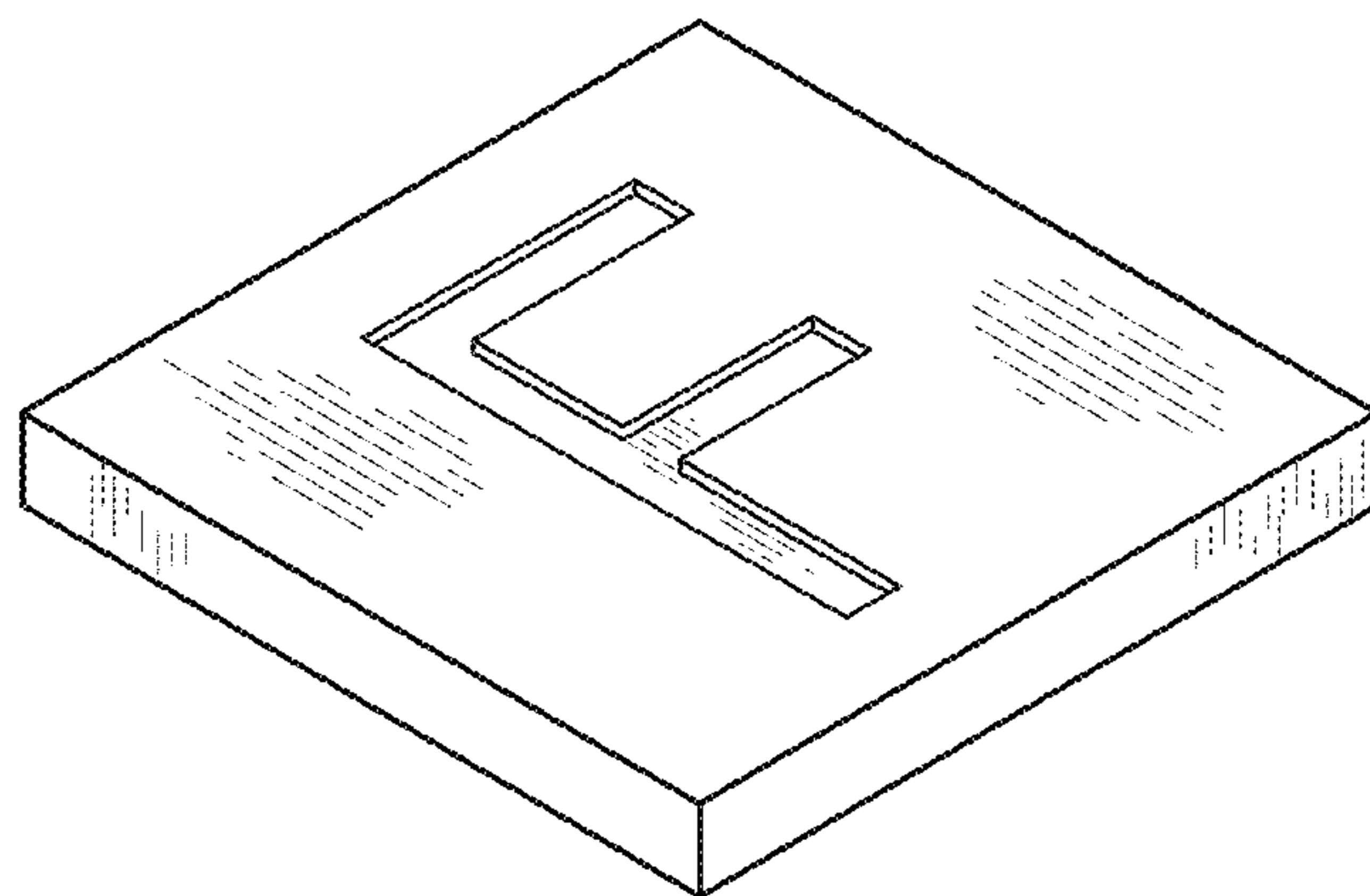


FIG. 12

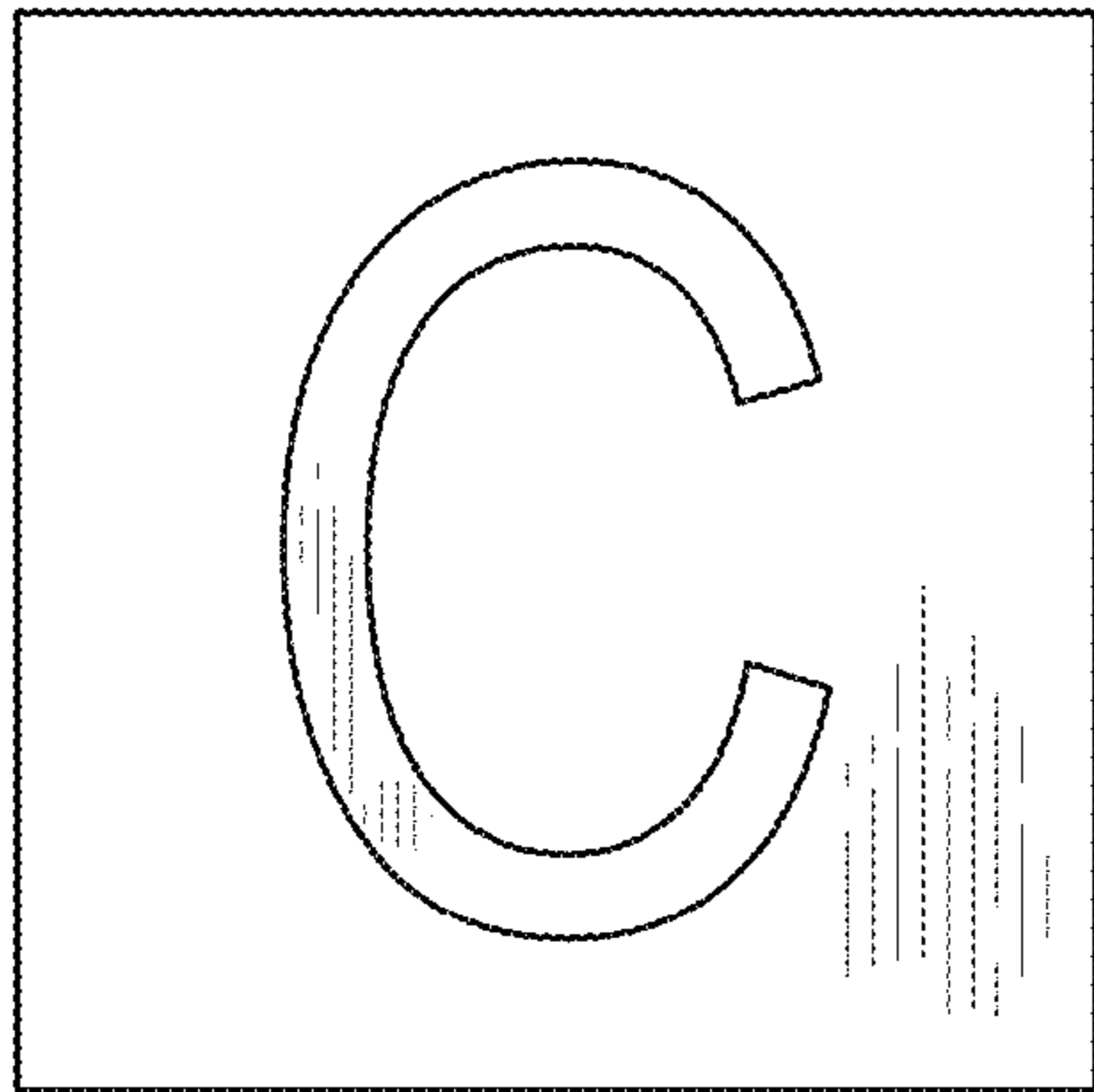


FIG. 13

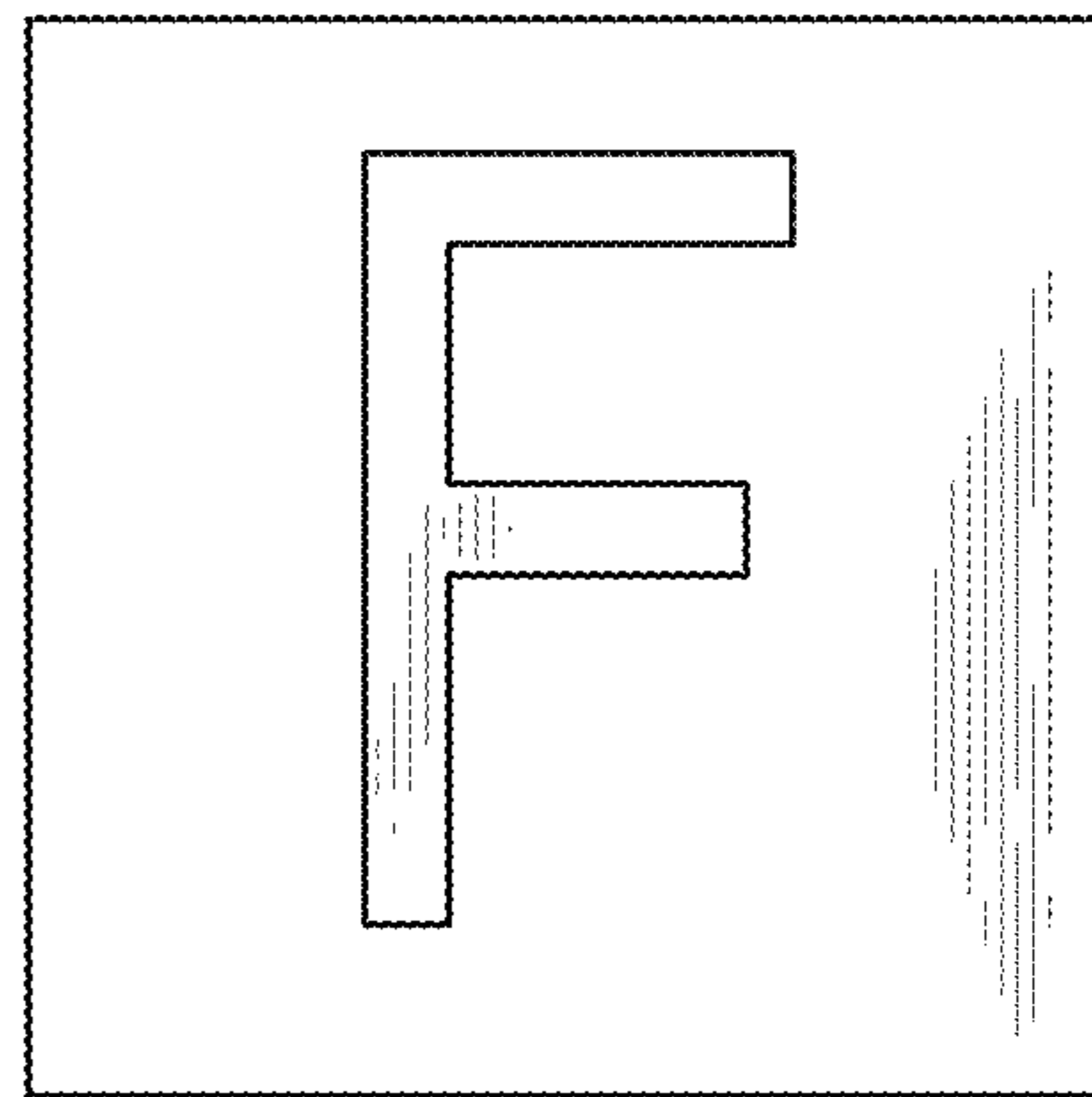


FIG. 14



FIG. 15