



US00D767945S

(12) **United States Design Patent**  
**Yu**

(10) **Patent No.:** **US D767,945 S**

(45) **Date of Patent:** **\*\* Oct. 4, 2016**

- (54) **MOUNTED CUP HOLDER**
- (71) Applicant: **Triforce Luggage, LLC.**, Miami, FL (US)
- (72) Inventor: **Shibing Yu**, Jiaxing (CN)
- (73) Assignee: **TRIFORCE LUGGAGE, LLC.**, Miami, FL (US)
- (\*\*) Term: **15 Years**
- (21) Appl. No.: **29/533,204**
- (22) Filed: **Jul. 15, 2015**
- (51) **LOC (10) Cl.** ..... **07-06**
- (52) **U.S. Cl.**  
USPC ..... **D7/620**
- (58) **Field of Classification Search**  
USPC ..... D7/601, 602, 619.1, 620, 701, 708.1;  
D3/202, 229; D12/419, 420; 220/737;  
228/309.1, 310, 311.2, 313;  
297/188.14, 188.18  
CPC ..... A47B 55/00; A47B 55/02; A47B 73/00;  
A47B 73/002; A47B 73/004; A47B 73/006;  
A47B 73/008; A47B 69/00; A47G 23/0266;  
B65D 81/18; B65D 81/3876; B65D 81/3886  
See application file for complete search history.

- 4,828,211 A \* 5/1989 McConnell ..... B60N 3/106  
211/75
- D303,057 S \* 8/1989 Smith ..... D7/620
- D348,772 S \* 7/1994 Minx ..... D3/229
- D379,288 S \* 5/1997 Azar ..... D7/620
- D407,952 S \* 4/1999 Kendrick ..... D7/620
- D593,930 S \* 6/2009 Fossett ..... D12/420
- D612,691 S \* 3/2010 Barnes, Jr. .... D7/620

\* cited by examiner

*Primary Examiner* — Keli L Hill

(74) *Attorney, Agent, or Firm* — Ladas & Parry LLP

(57) **CLAIM**

The ornamental design for a mounted cup holder, as shown and described.

**DESCRIPTION**

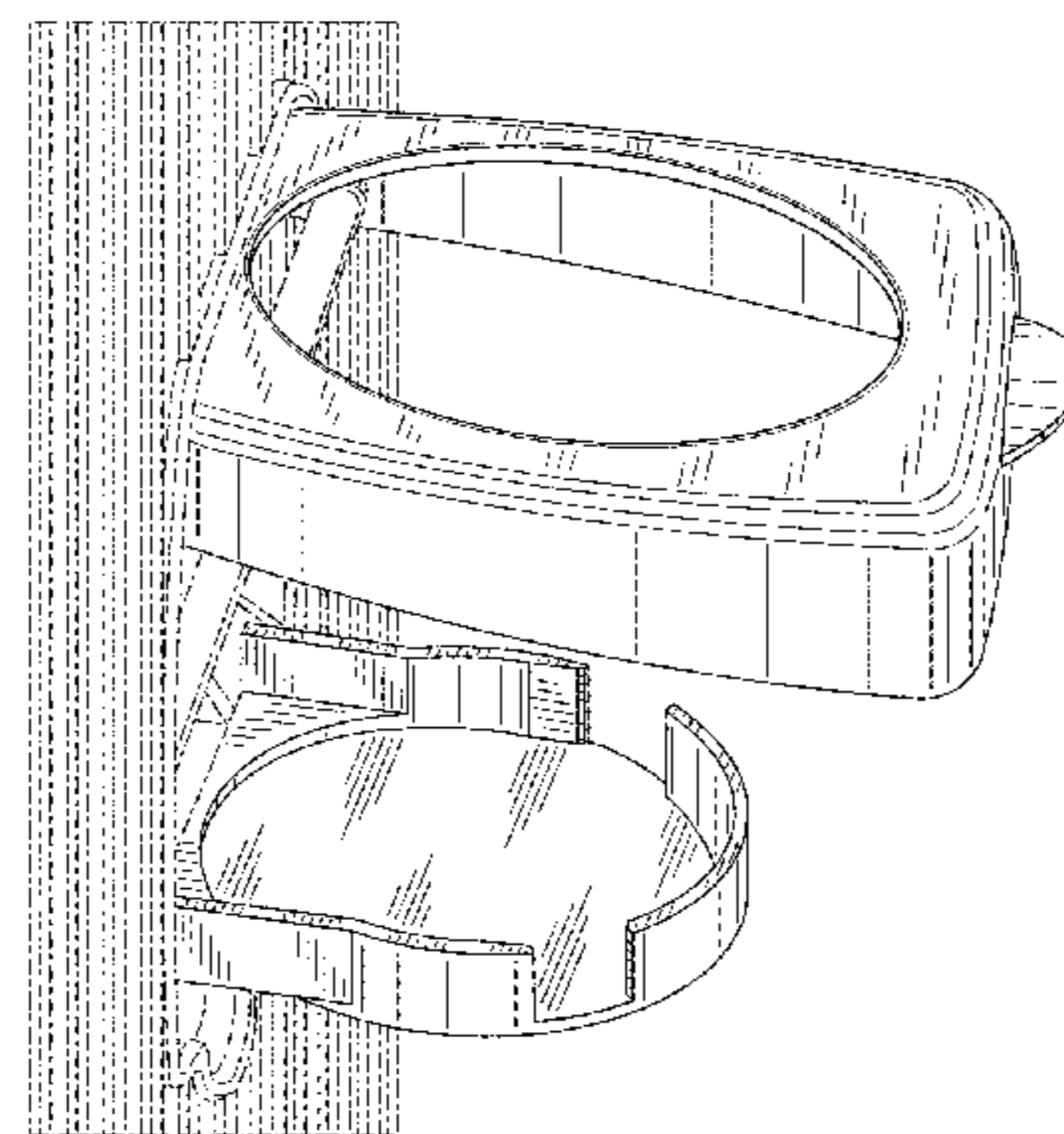
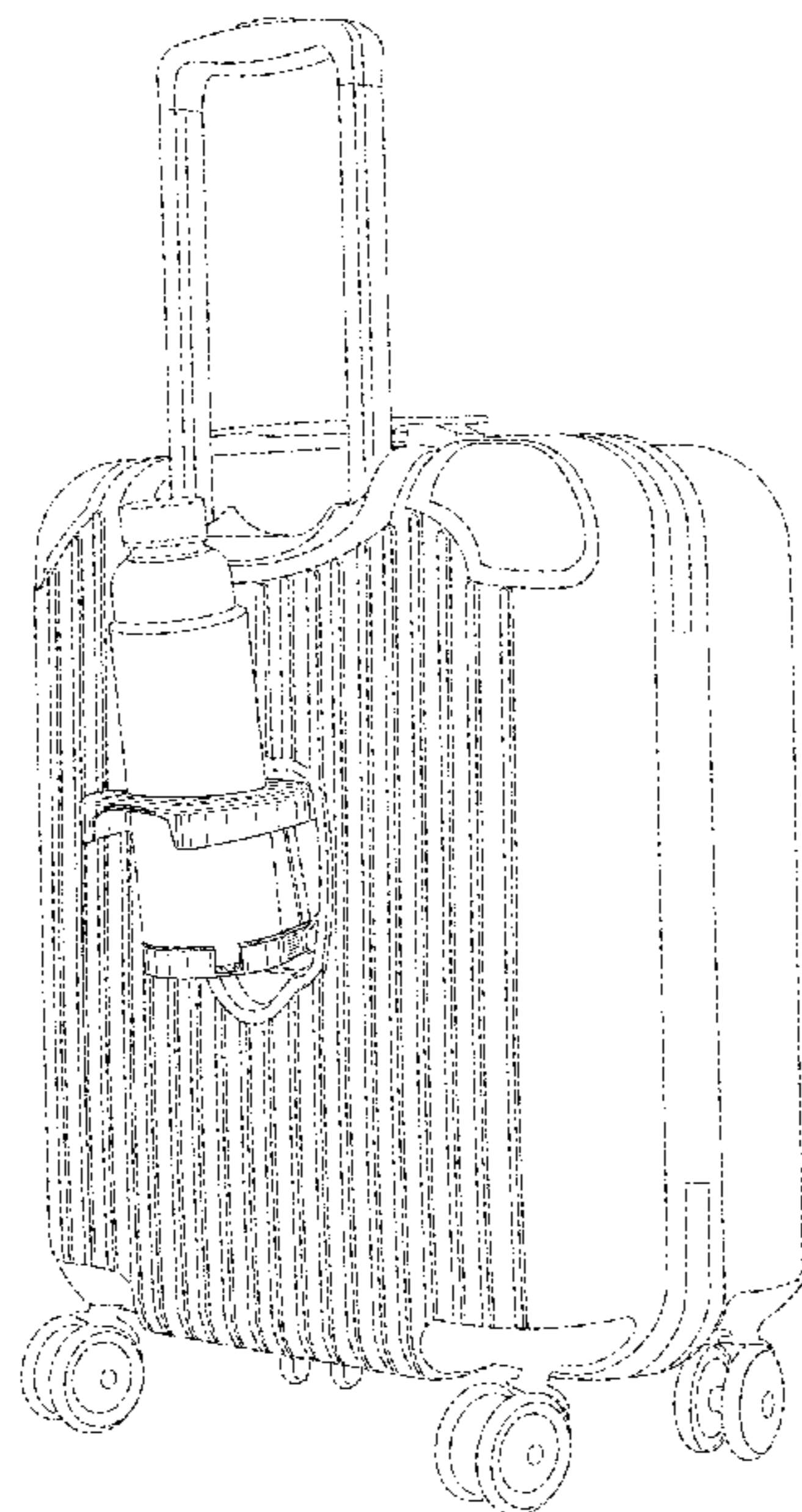
FIG. 1 is a perspective view of a cup holder in use embedded in luggage;  
 FIG. 2 is a front view of the holder embedded in luggage in closed condition;  
 FIG. 3 is an enlarged perspective view of the holder in closed condition;  
 FIG. 4 is an enlarged perspective view of the holder in open condition;  
 FIG. 5 is an enlarged front view of the holder in open condition;  
 FIG. 6 is an enlarged right side view of the holder in open condition (the left side being a mirror image);  
 FIG. 7 is an enlarged top view of the holder in open condition; and,  
 FIG. 8 is an enlarged bottom view of the holder in open condition.  
 The broken lines depict environmental structure and form no part of the claimed design.

**1 Claim, 8 Drawing Sheets**

(56) **References Cited**

U.S. PATENT DOCUMENTS

- 1,215,495 A \* 2/1917 Crum ..... H02G 3/125  
248/205.1
- D203,010 S \* 11/1965 Graham ..... 108/152
- D251,399 S \* 3/1979 Dark ..... D30/133
- D280,263 S \* 8/1985 Hoyer ..... D12/419
- D289,961 S \* 5/1987 Hentrich ..... D7/620
- D291,168 S \* 8/1987 Cranford ..... D7/620



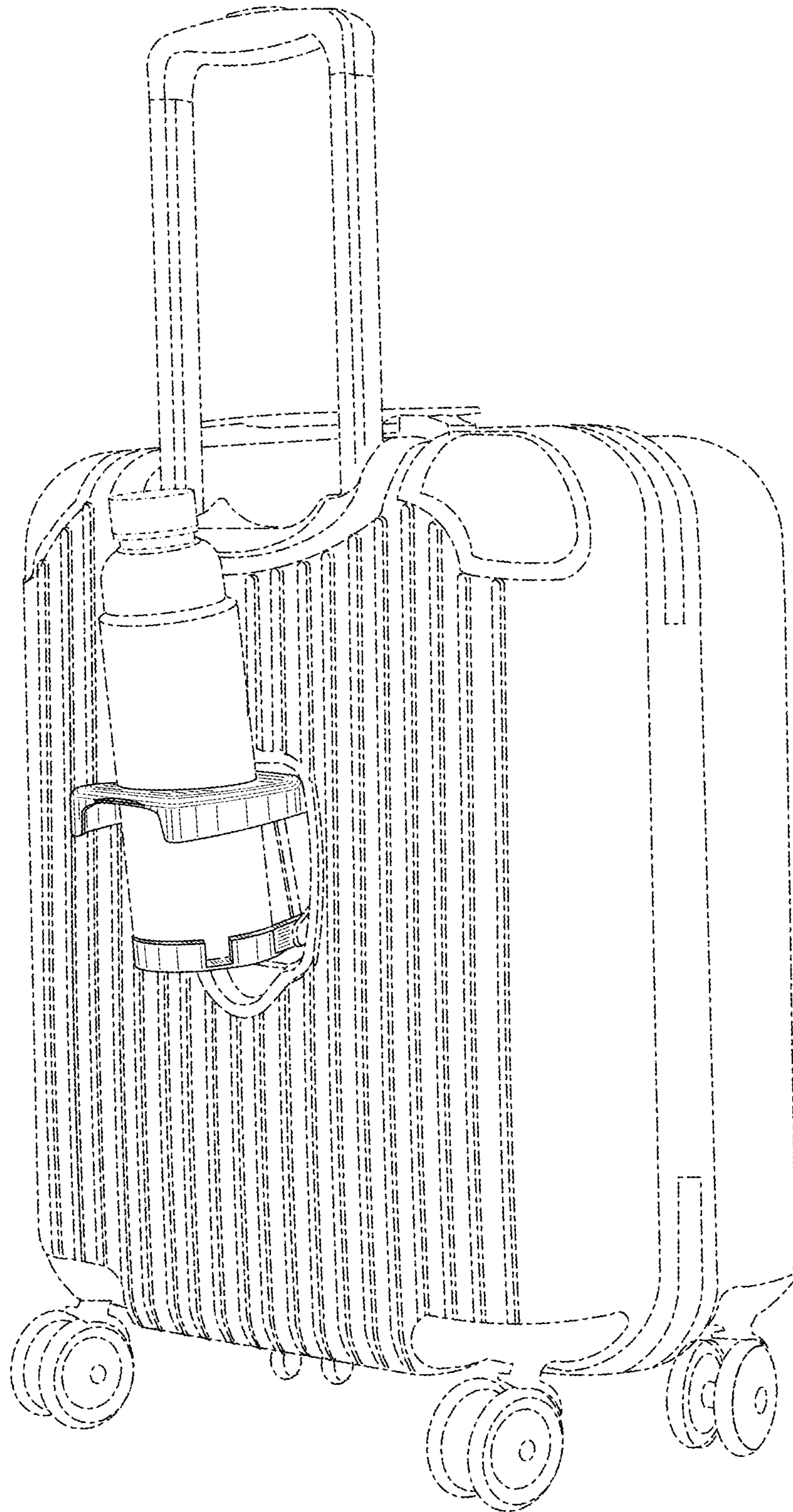


FIG. 1

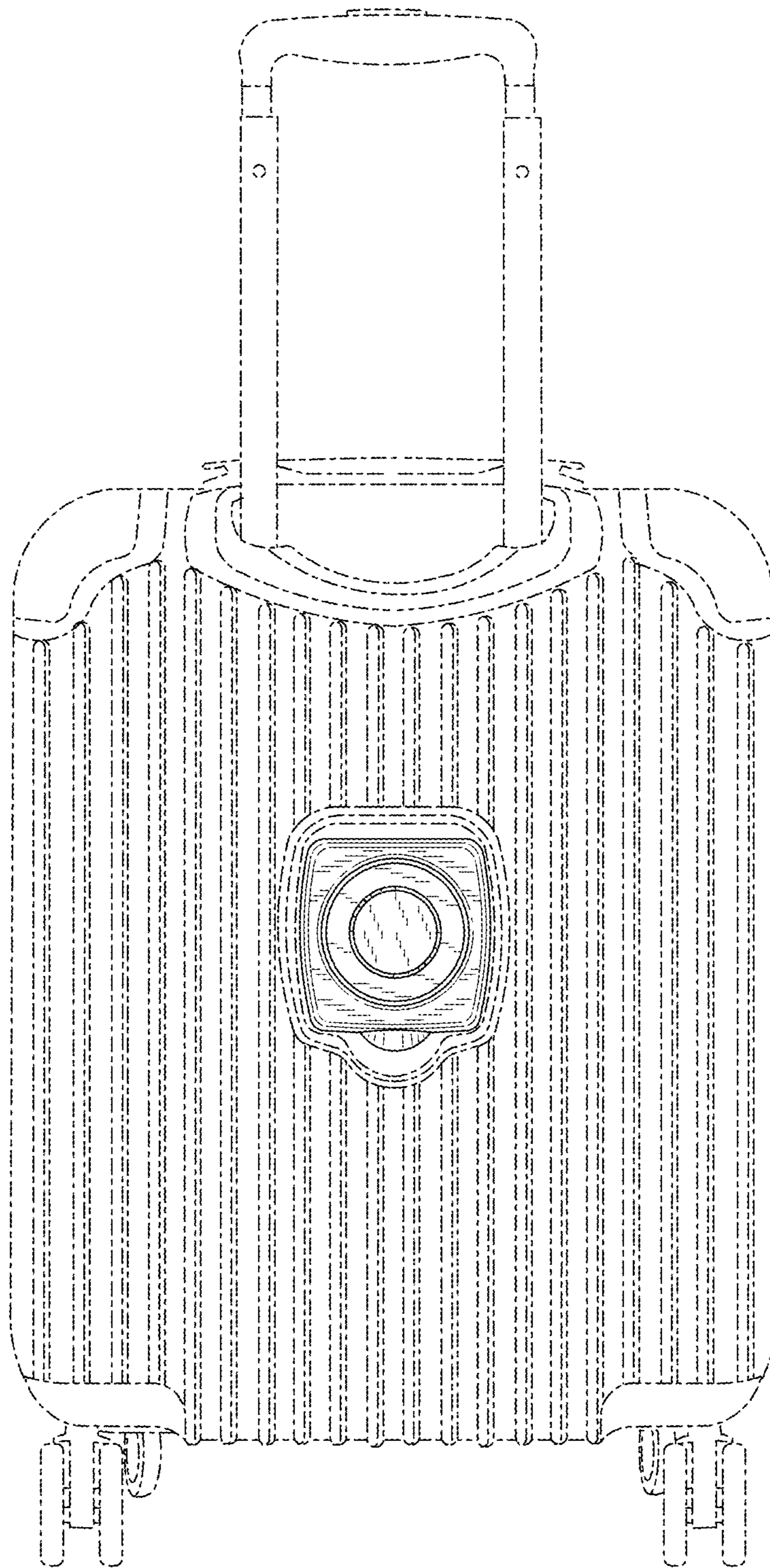


FIG. 2

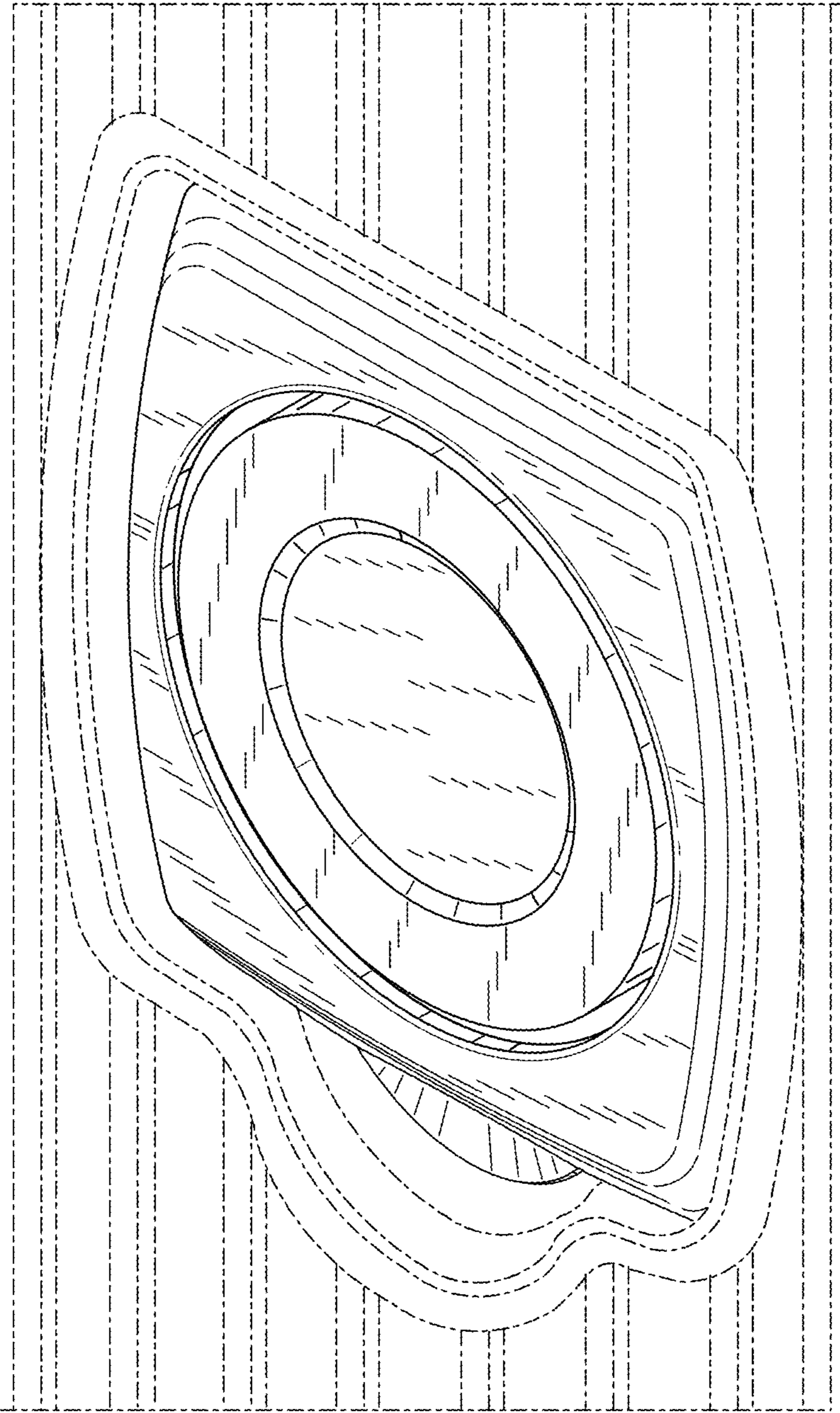


FIG.3

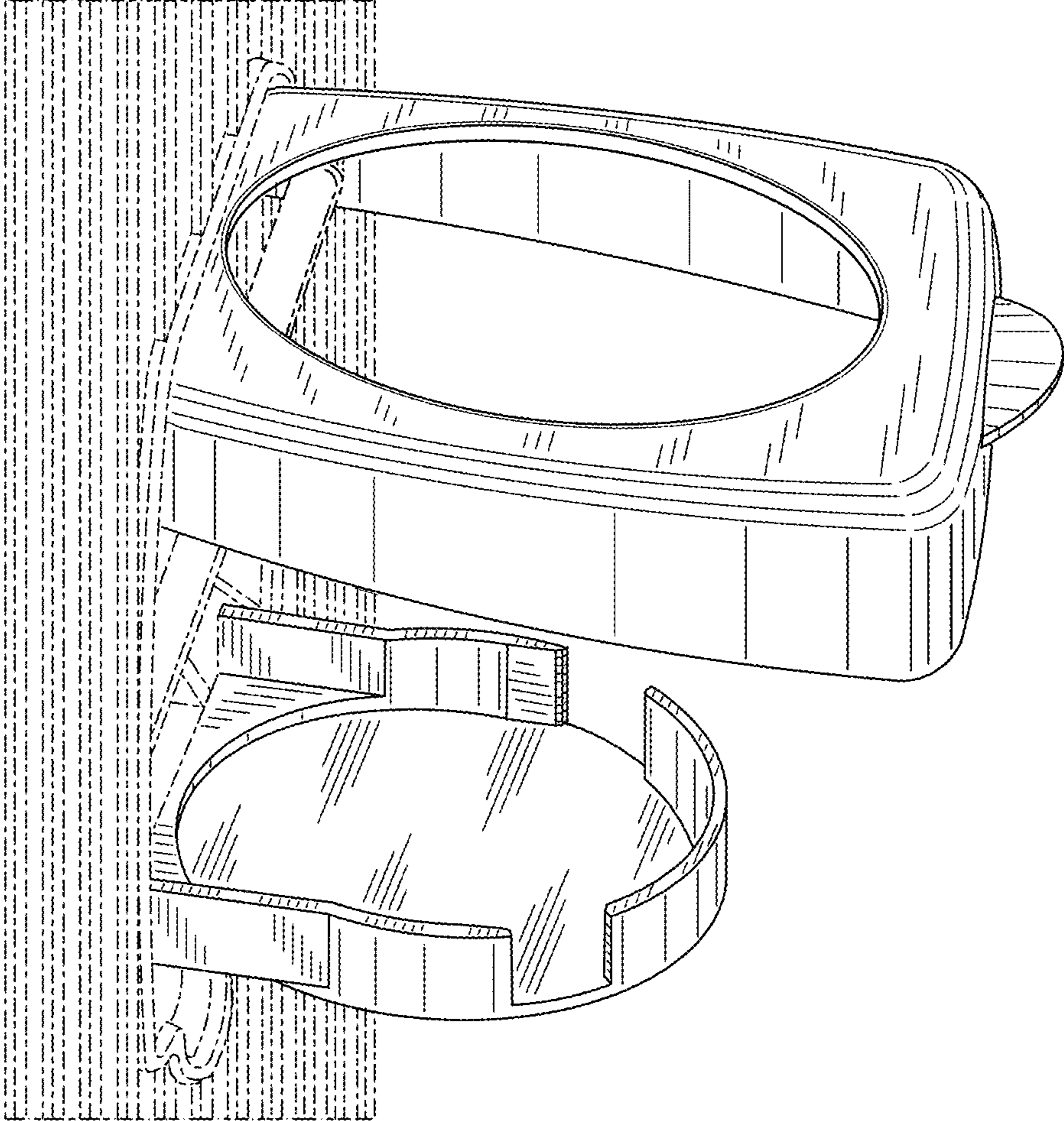


FIG. 4

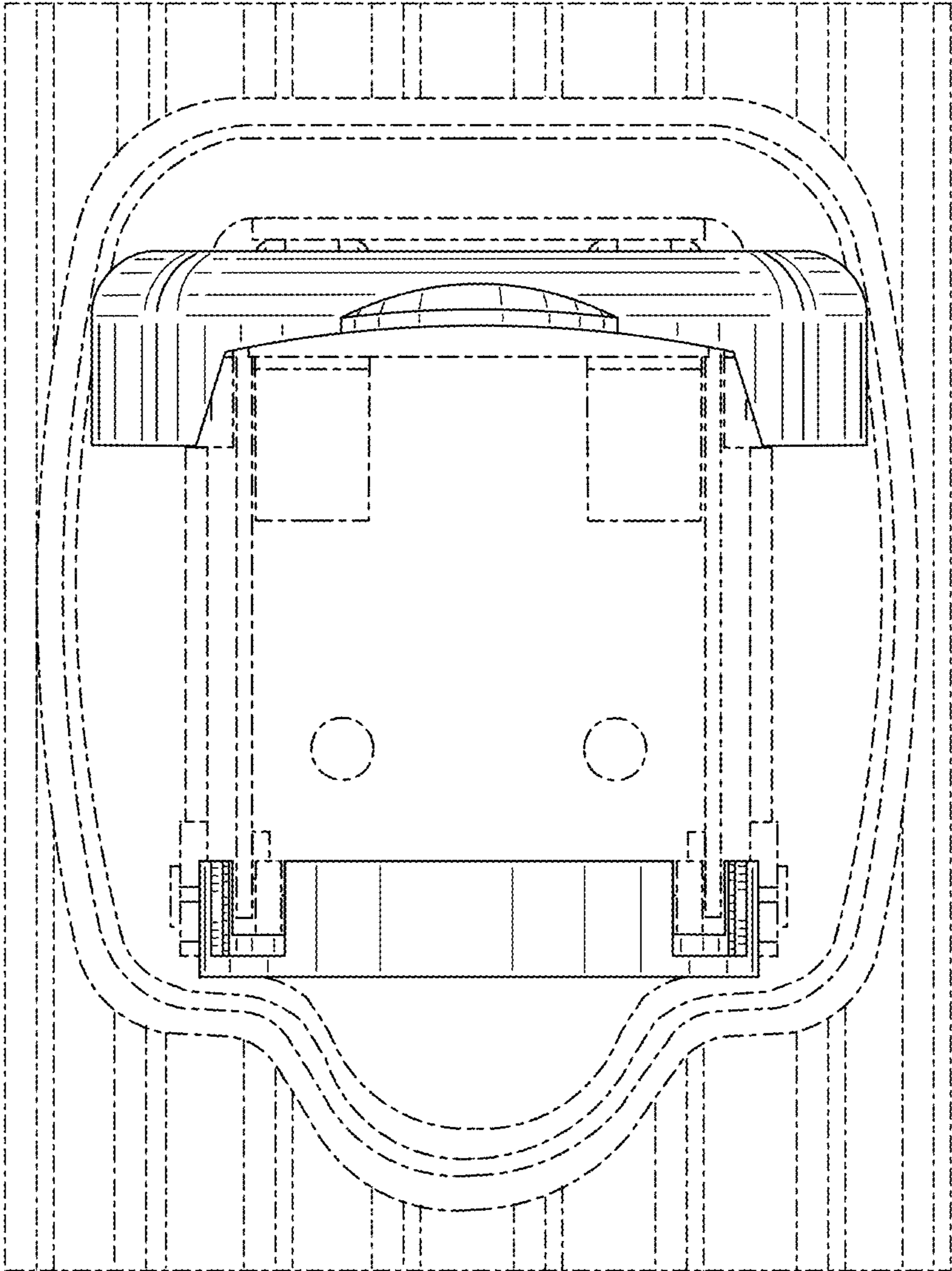


FIG. 5

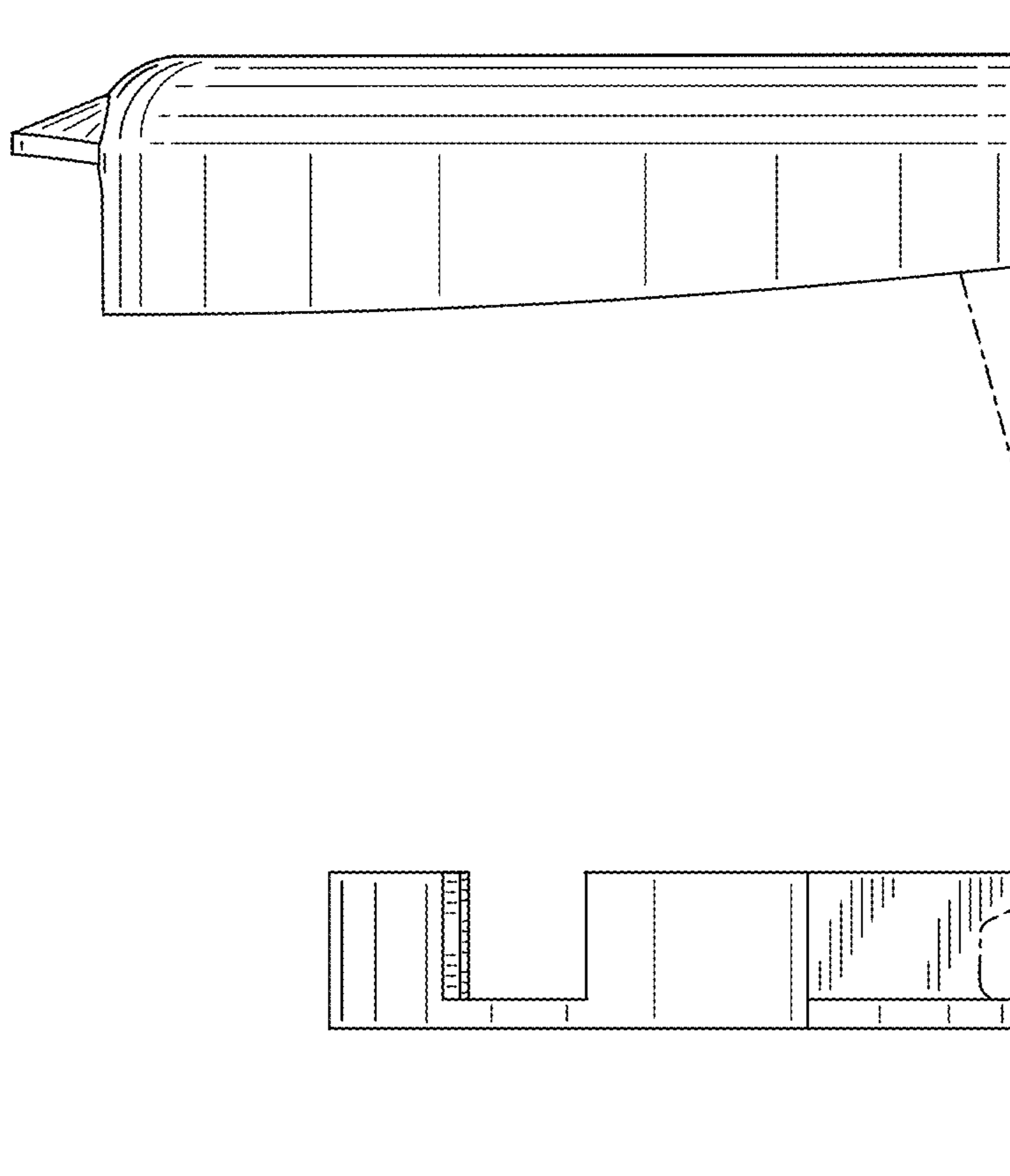


FIG. 6

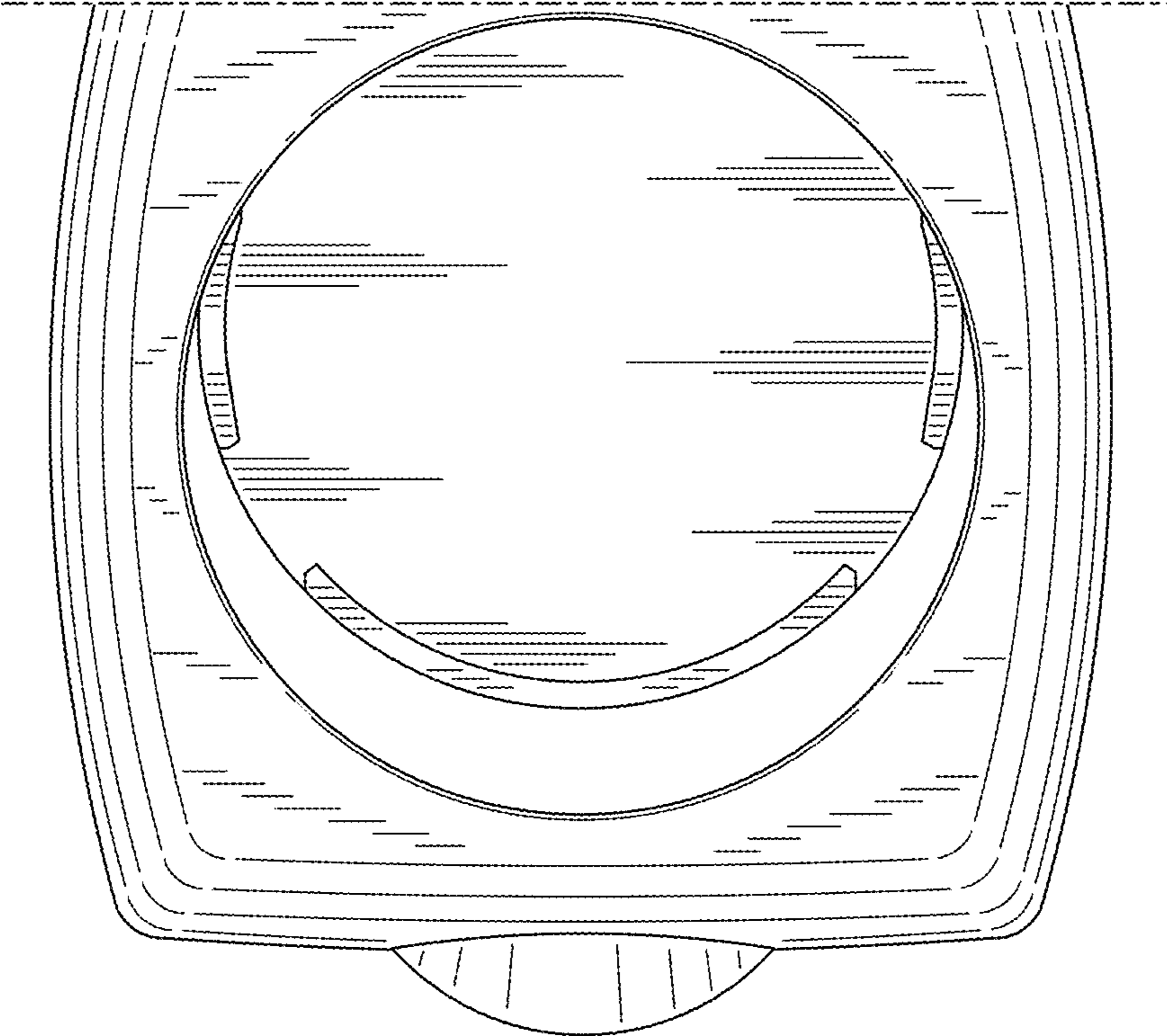


FIG. 7



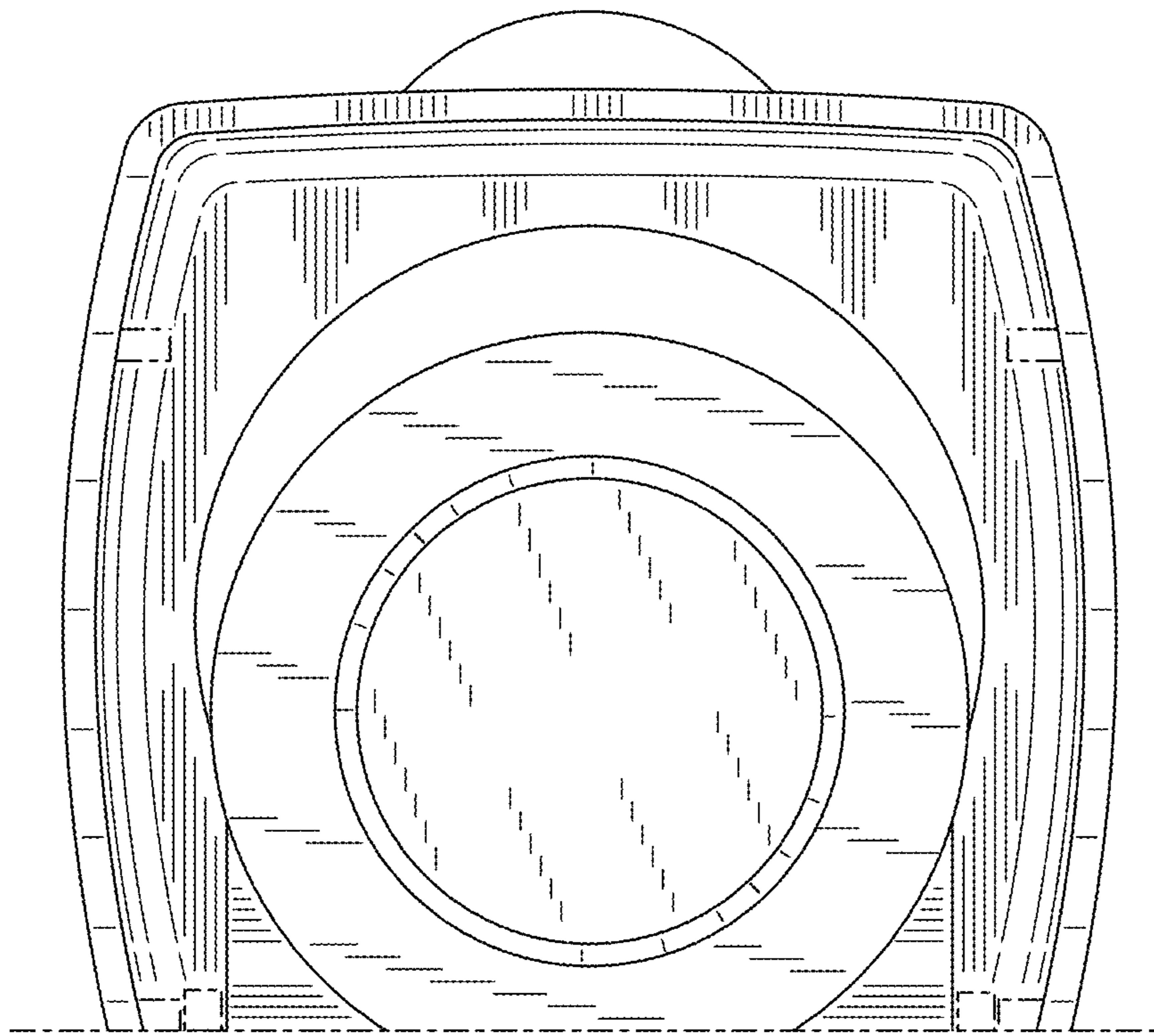


FIG. 8