

US00D767944S

(12) **United States Design Patent** (10) **Patent No.:** **US D767,944 S**
Webb, IV (45) **Date of Patent:** **** Oct. 4, 2016**

(54) **BEVERAGE HOLDING DEVICE**

(71) Applicant: **Brian Scott Webb, IV**, Tallahassee, FL (US)

(72) Inventor: **Brian Scott Webb, IV**, Tallahassee, FL (US)

(**) Term: **14 Years**

(21) Appl. No.: **29/526,165**

(22) Filed: **May 7, 2015**

(51) **LOC (10) Cl.** **07-06**

(52) **U.S. Cl.**
USPC **D7/620**

(58) **Field of Classification Search**
USPC D7/601, 602, 619.1, 620, 701, 708.1;
D3/202, 229; D12/419, 420; 220/737;
228/309.1, 310, 311.2, 313;
297/188.14, 188.18
CPC A47B 55/00; A47B 55/02; A47B 73/00;
A47B 73/002; A47B 73/004; A47B 73/006;
A47B 73/008; A47B 69/00; A47G 23/0266;
B65D 81/18; B65D 81/3876; B65D 81/3886
See application file for complete search history.

(56) **References Cited**

U.S. PATENT DOCUMENTS

D322,194 S *	12/1991	Egan, Jr.	D7/708.1
D373,052 S *	8/1996	Di Biase	D7/553.6
D413,769 S *	9/1999	Mason	D7/620
D750,444 S *	3/2016	Smith	D7/619.1
D750,445 S *	3/2016	Smith	D7/619.1

* cited by examiner

Primary Examiner — Keli L Hill

(74) *Attorney, Agent, or Firm* — J. Wiley Horton

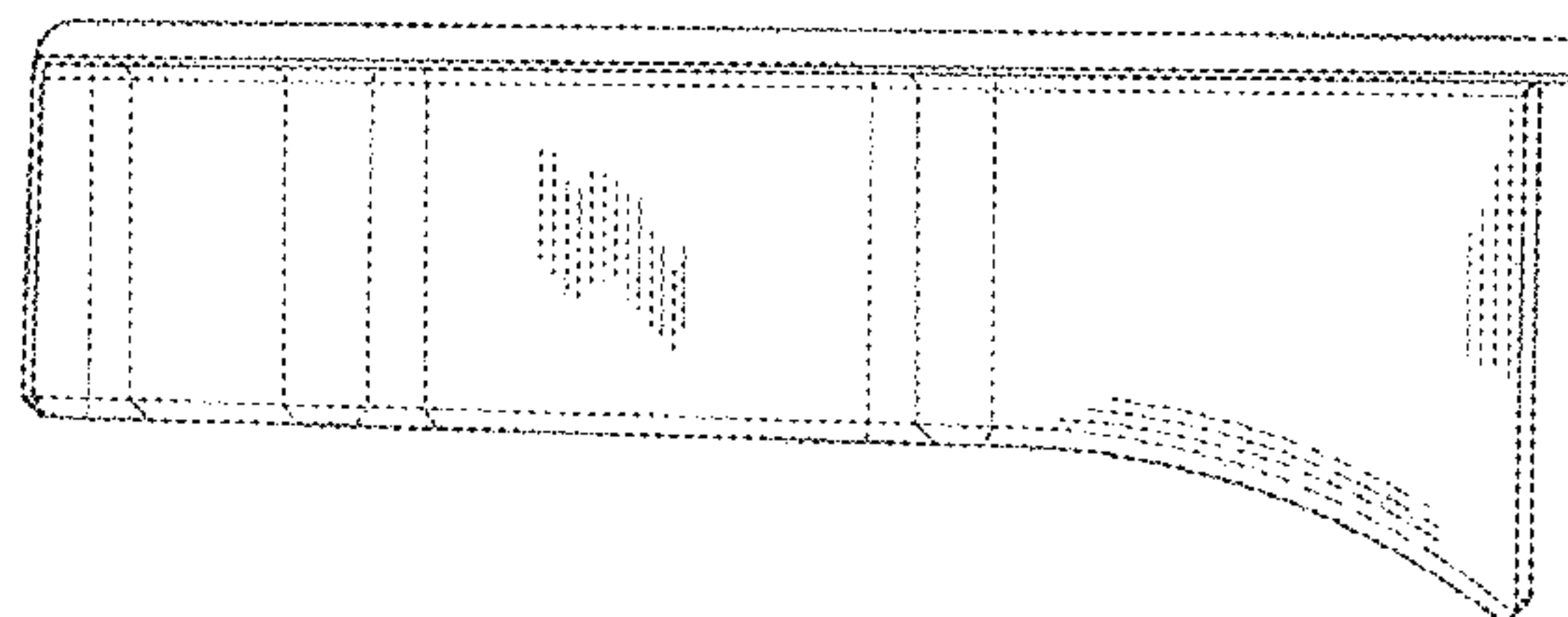
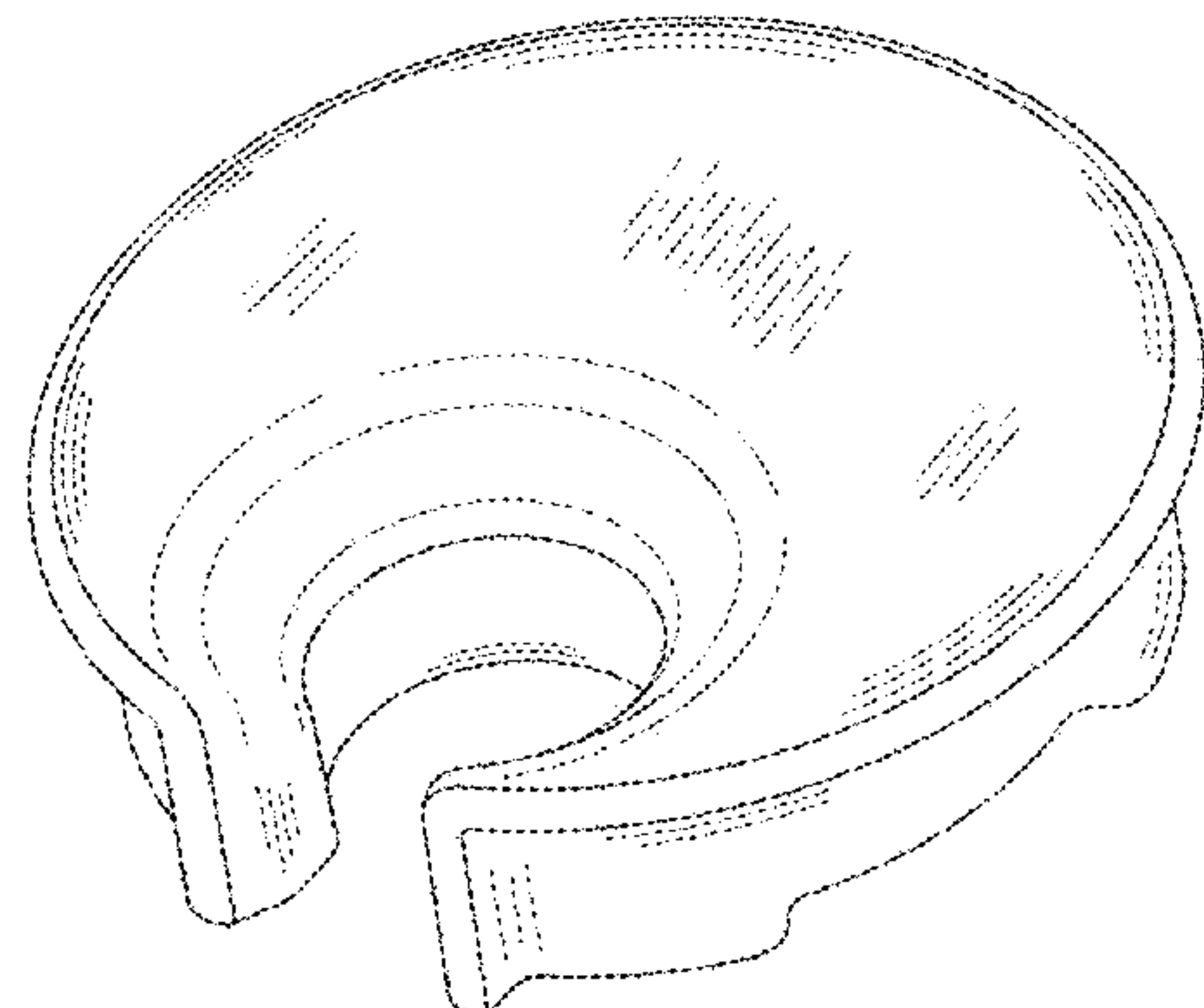
(57) **CLAIM**

The ornamental design for a “beverage holding device,” as shown and described.

DESCRIPTION

FIG. 1 is a perspective view of a beverage holding device, showing my design;
FIG. 2 is a front elevation view of FIG. 1;
FIG. 3 is a rear elevation view of FIG. 1;
FIG. 4 is a right side elevation view of FIG. 1;
FIG. 5 is a left side elevation view of FIG. 1;
FIG. 6 is a top plan view of FIG. 1; and,
FIG. 7 is a bottom plan view of FIG. 1.

1 Claim, 7 Drawing Sheets



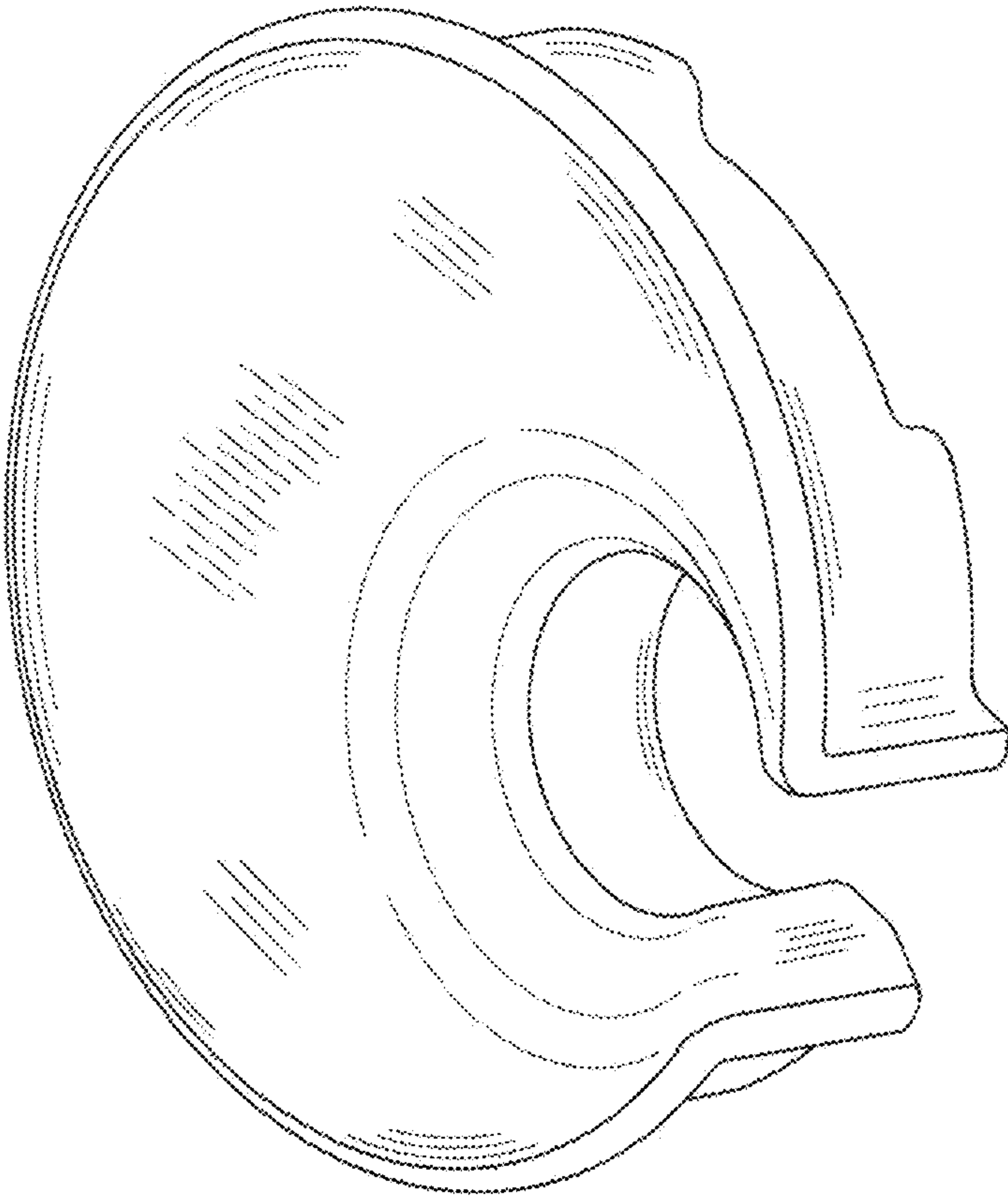


FIG. 1

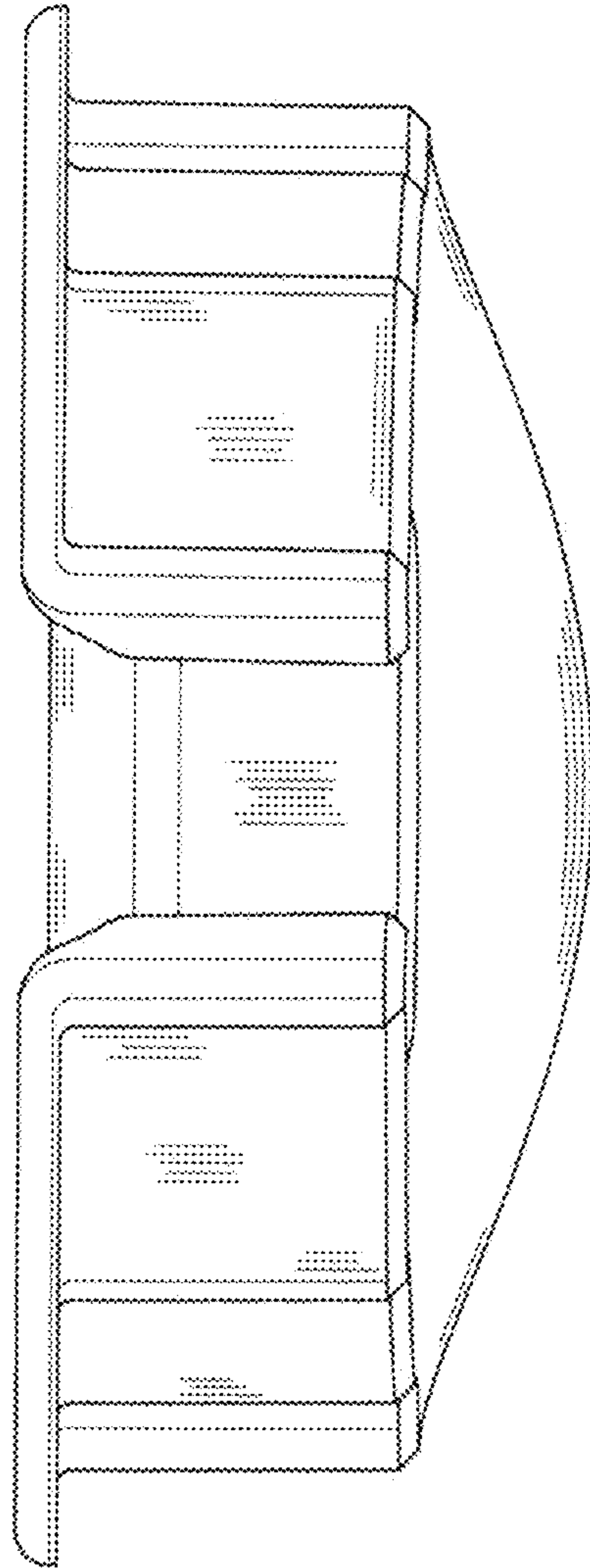


FIG. 2

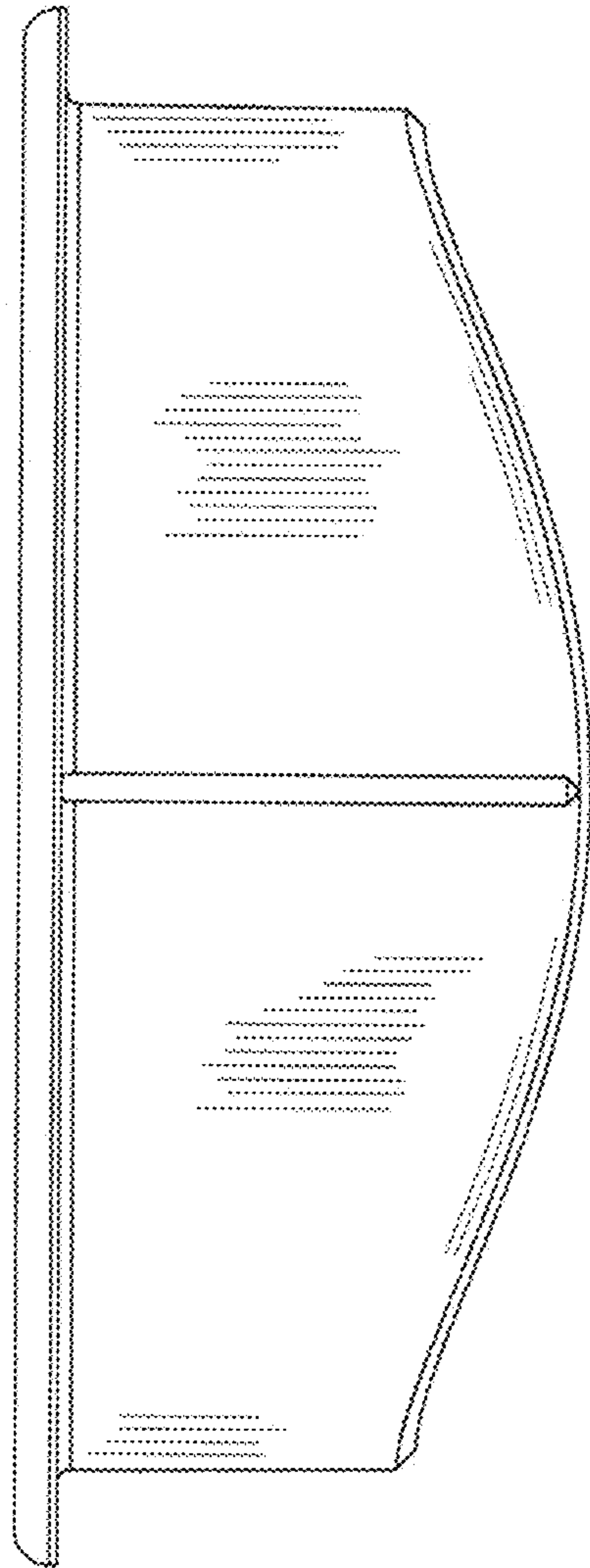


FIG. 3

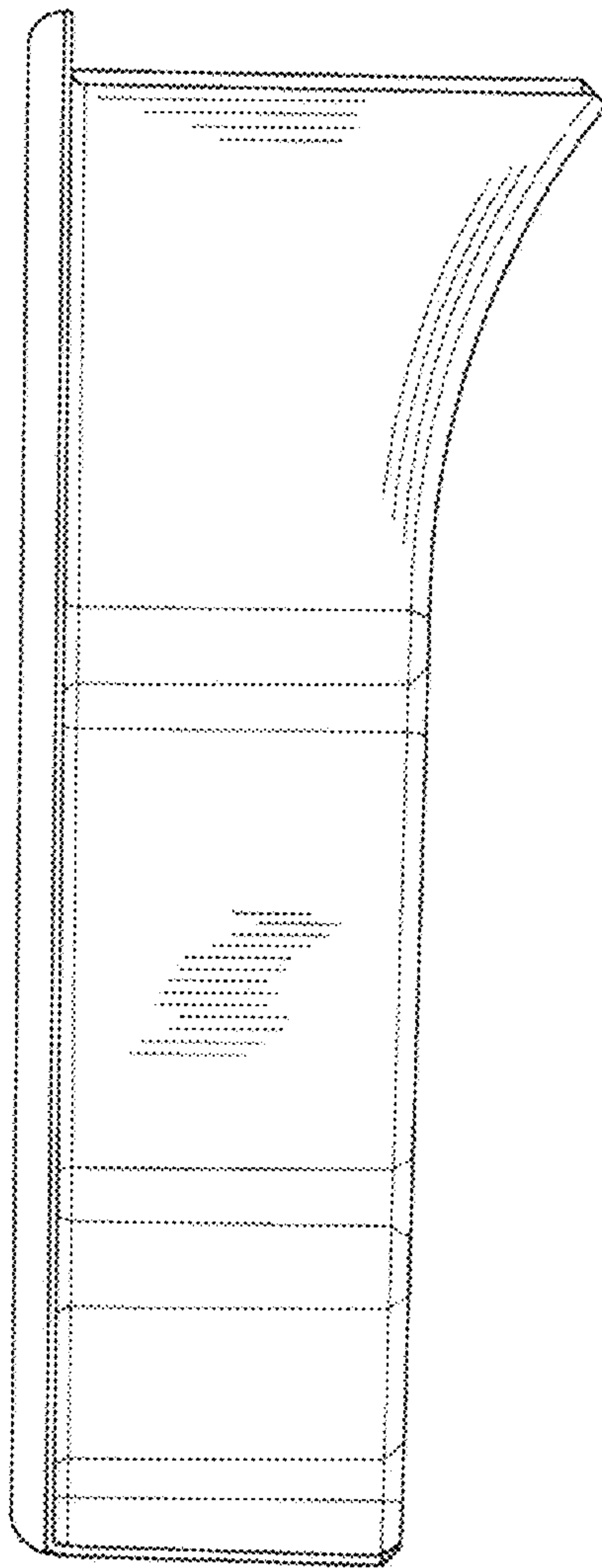


FIG. 4

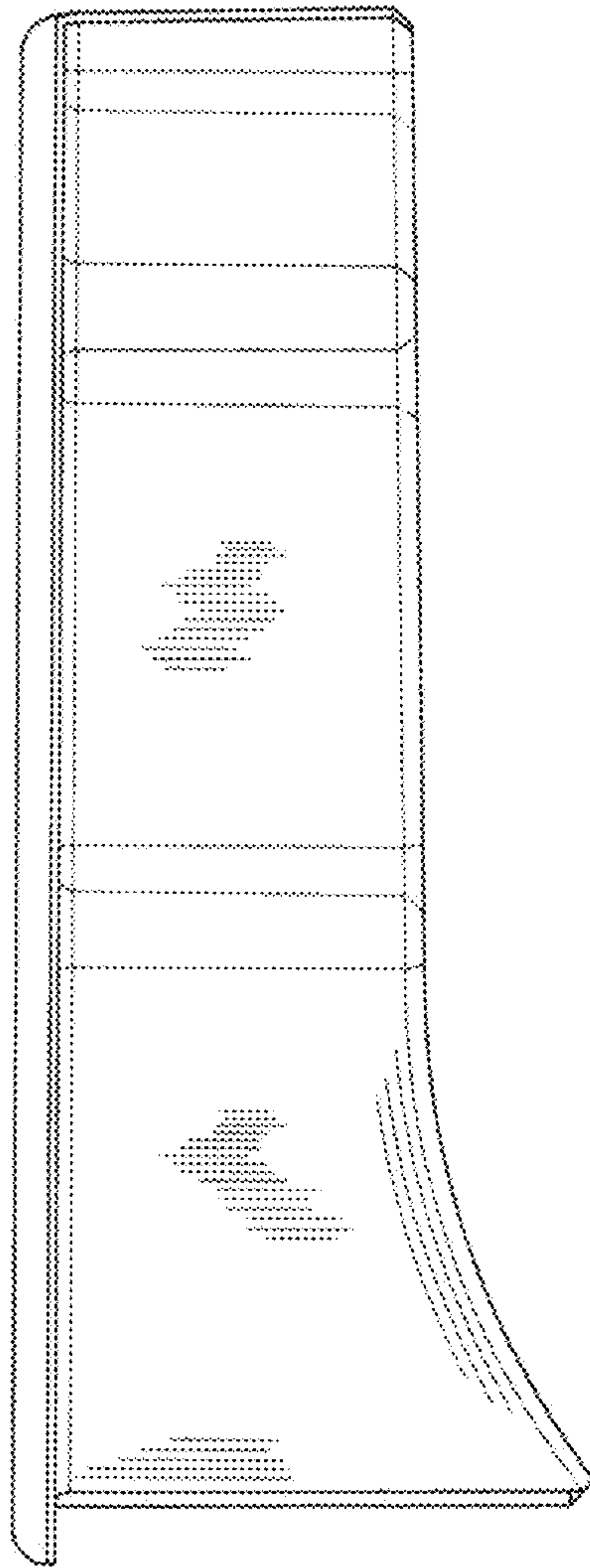


FIG. 5

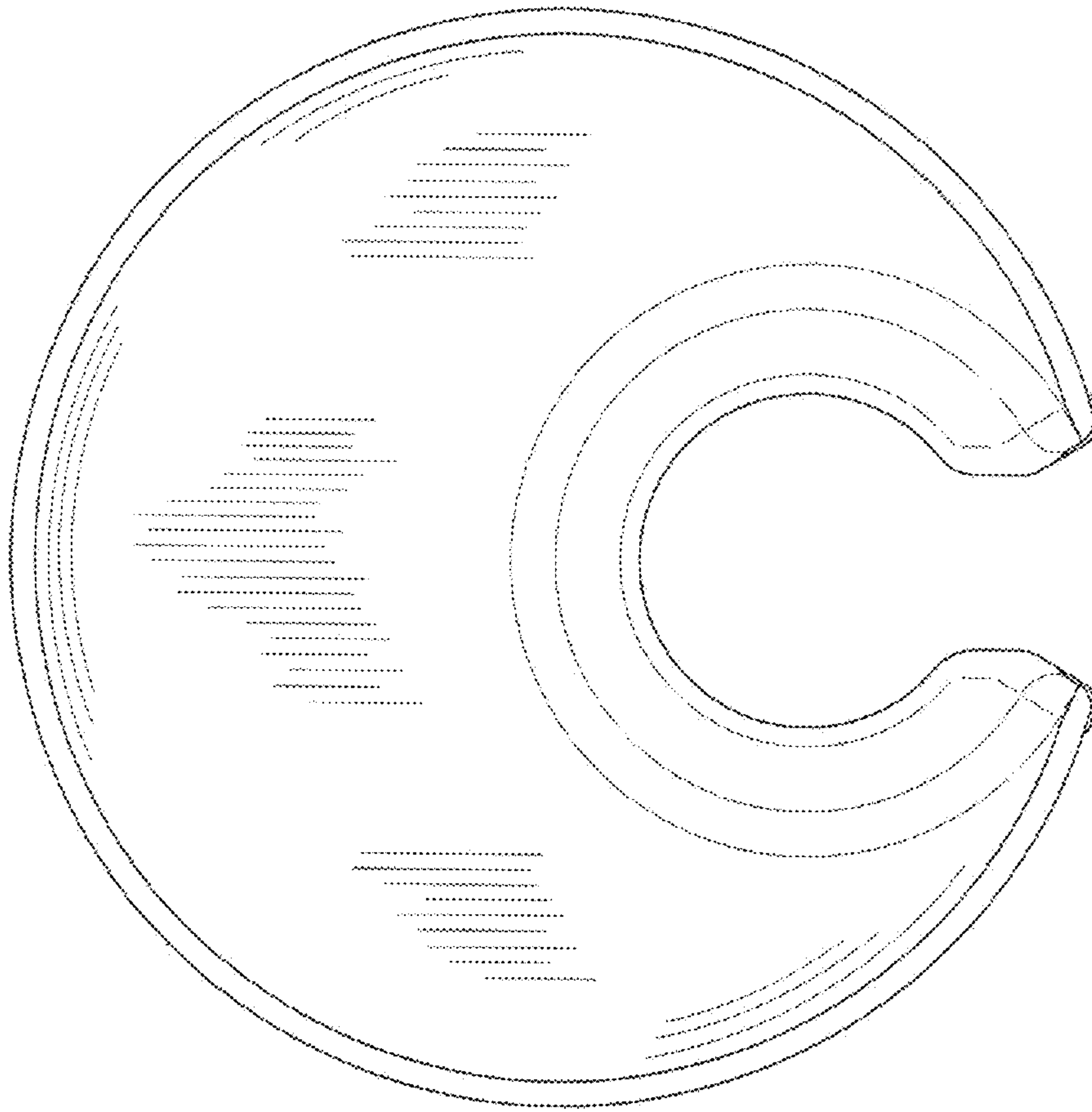


FIG. 6

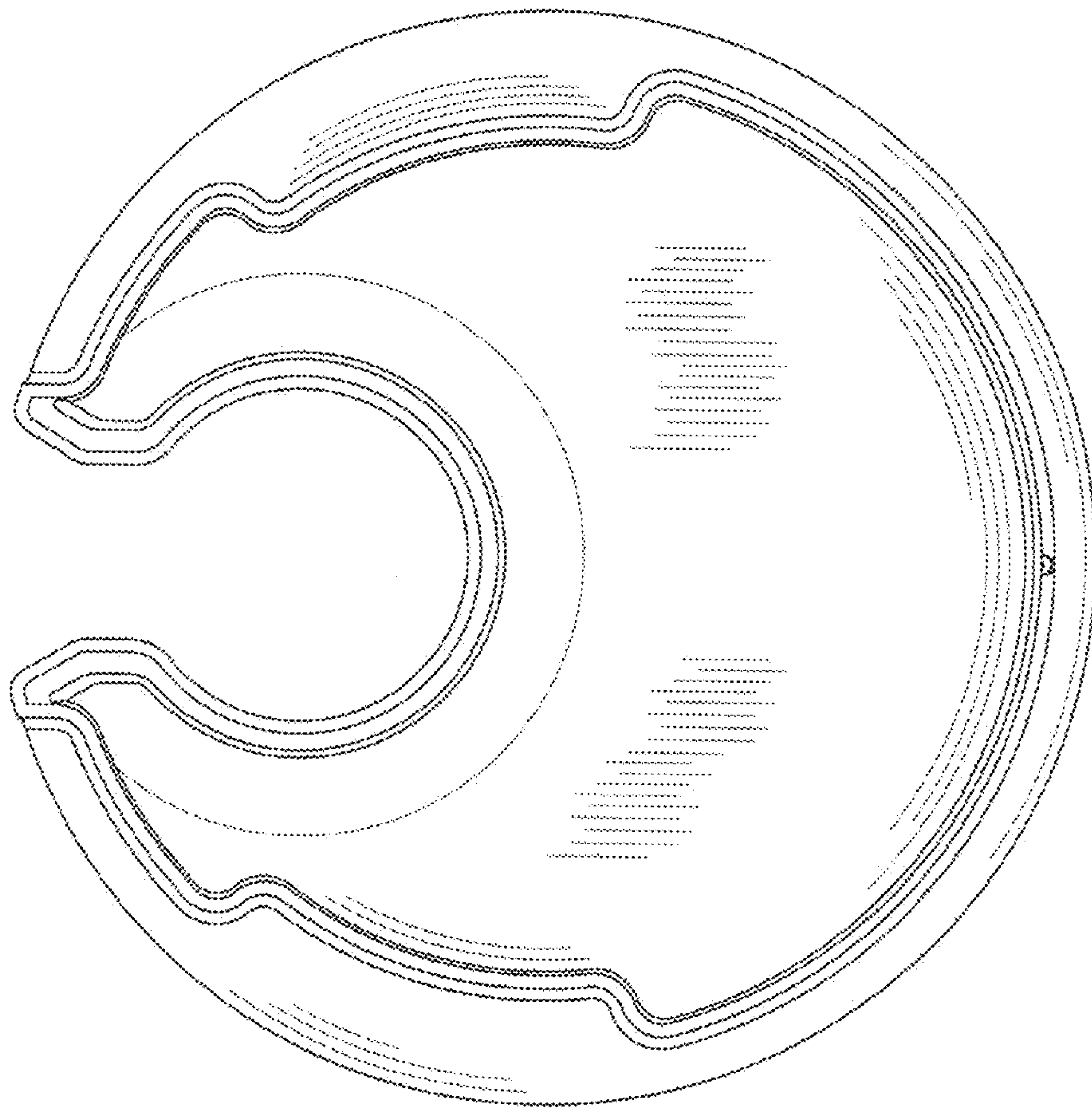


FIG. 7