

US00D767941S

(12) **United States Design Patent**
Laurain

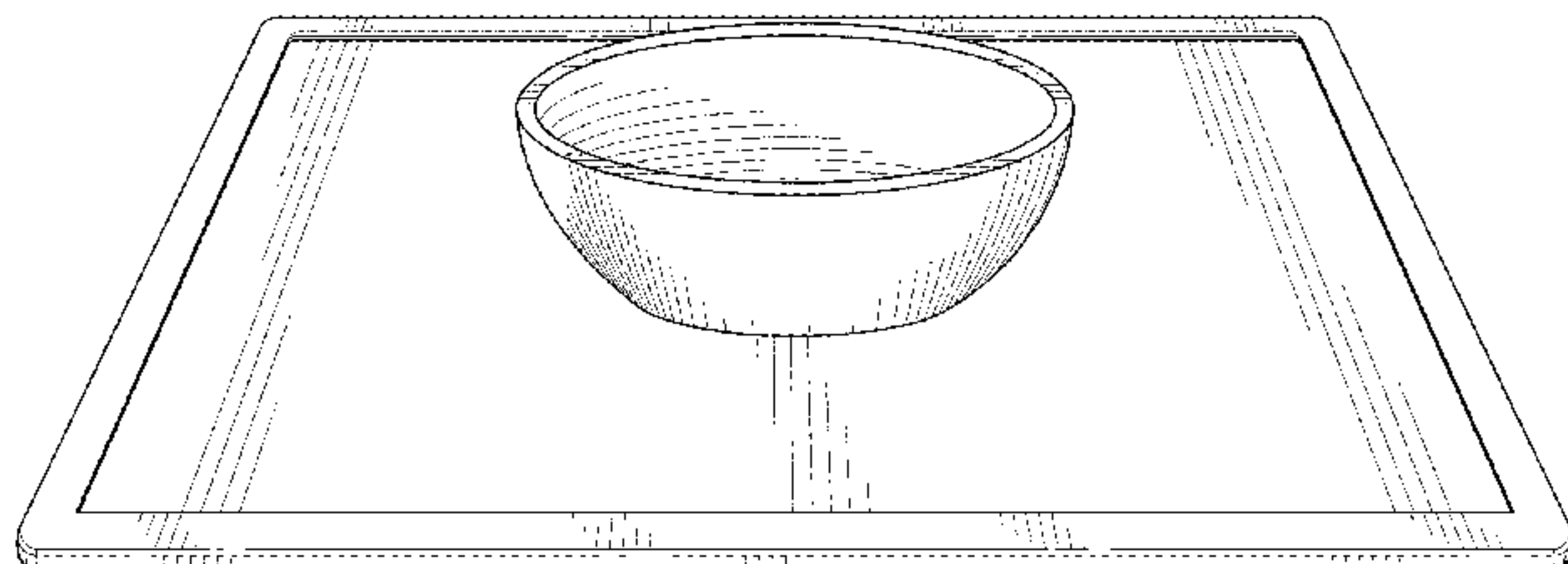
(10) **Patent No.:** **US D767,941 S**
(45) **Date of Patent:** **** Oct. 4, 2016**

- (54) **INTEGRATED BOWL AND DINING MAT**
- (71) Applicant: **Lindsey Laurain**, Parker, CO (US)
- (72) Inventor: **Lindsey Laurain**, Parker, CO (US)
- (**) Term: **14 Years**
- (21) Appl. No.: **29/518,942**
- (22) Filed: **Feb. 27, 2015**
- (51) **LOC (10) Cl.** **07-01**
- (52) **U.S. Cl.**
USPC **D7/555; D6/616; D7/553.4; D7/505**
- (58) **Field of Classification Search**
USPC D7/500, 503, 507, 509, 510, 511, 523,
D7/529, 532, 533, 534, 535, 536, 537, 524,
D7/586, 558, 552.2, 550.1, 553.2, 396.6,
D7/401, 403, 584, 587, 698, 388, 555, 557,
D7/505, 553.4; D30/129, 130; 220/574,
220/575, 635, 606; 211/2; D11/143, 144,
D11/153; D6/612, 613, 615, 616, 614;
D32/55, 57
CPC A47G 19/00; A47G 19/02; A47G 19/06;
A47J 36/34; A47J 45/10
See application file for complete search history.

(56) **References Cited**

U.S. PATENT DOCUMENTS

- 204,740 A * 6/1878 Johnson B43L 1/06
15/209.1
- 1,507,968 A * 9/1924 Johnson G01F 19/00
73/427
- 2,850,079 A * 9/1958 Prushnok A47G 19/10
248/310
- D209,849 S * 1/1968 Farrell D32/57
- 3,498,470 A * 3/1970 Thomas A47G 23/06
211/74
- D229,073 S * 11/1973 Brickel 119/61.5
- 3,792,809 A * 2/1974 Schneider A47G 19/03
220/670
- D255,208 S * 6/1980 Greger D7/388
- D259,669 S * 6/1981 Peterson D30/130
- 4,989,846 A * 2/1991 Quinn A47G 23/06
269/54.5



- D344,436 S * 2/1994 Walls D7/553.4
- D366,395 S * 1/1996 Wyatt D7/552.2
- D402,851 S * 12/1998 Stauffer D7/505
- D442,831 S * 5/2001 Jacobs D7/584
- D473,939 S * 4/2003 Hantke D24/124
- D477,971 S * 8/2003 Maier-Aichen D7/584
- D478,477 S * 8/2003 Tisdale D7/586
- D485,127 S * 1/2004 Maier-Aichen D7/584
- D536,277 S * 2/2007 Cabeza D11/152
- D538,096 S * 3/2007 Bartell D6/613
- D538,576 S * 3/2007 Bartell D6/613
- D539,094 S * 3/2007 Wasserman D7/584
- D547,615 S * 7/2007 Wasserman D7/542
- D550,407 S * 9/2007 Spiwak D30/129
- D554,941 S * 11/2007 Mansfield D7/396.2
- D568,113 S * 5/2008 Wasserman D7/586
- D575,077 S * 8/2008 Kessels D6/406.3
- D594,097 S * 6/2009 Toyohara D23/293.1
- D595,538 S * 7/2009 Starck D7/396.1
- D613,126 S * 4/2010 Warner D7/584
- D658,917 S * 5/2012 Harris D6/582
- D659,913 S * 5/2012 Spectre D30/130
- D664,405 S * 7/2012 Chen D7/698
- D719,413 S * 12/2014 Difante D7/698

(Continued)

OTHER PUBLICATIONS

<https://www.thegrommet.com/happy-mat-happy-bowl> Happy Bowl.*

Primary Examiner — Marianne Pandozzi
Assistant Examiner — Jae Liang
(74) *Attorney, Agent, or Firm* — Williams Intellectual Property; Benjamin F. Williams

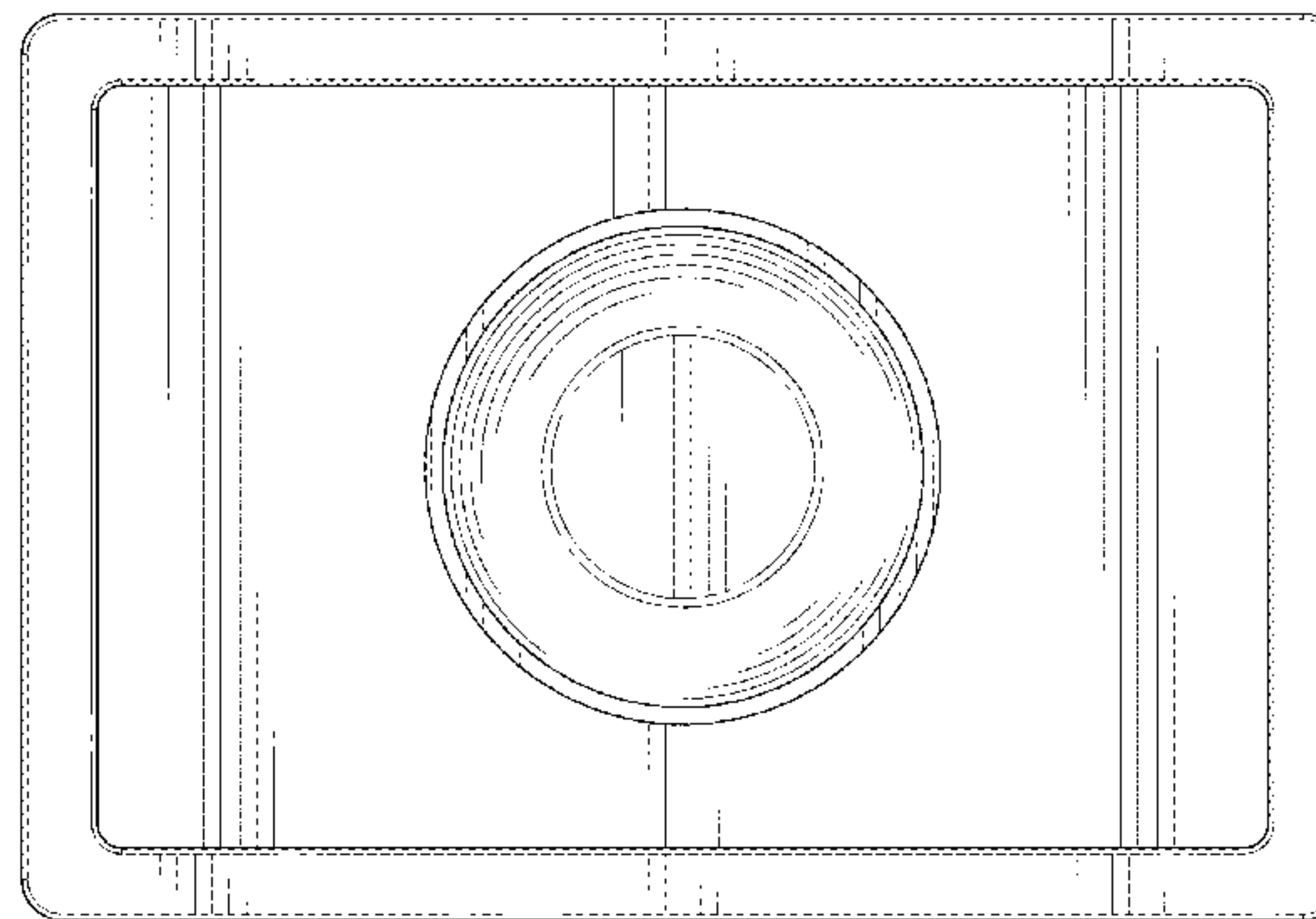
(57) **CLAIM**

The ornamental design for an integrated bowl and dining mat, as shown and described.

DESCRIPTION

FIG. 1 is an elevated perspective view of an integrated bowl and dining mat showing my new design; and, FIG. 2 is a top view thereof.

1 Claim, 2 Drawing Sheets



US D767,941 S

Page 2

(56)

References Cited

U.S. PATENT DOCUMENTS

D727,683 S * 4/2015 Schmidt D7/507
D738,695 S * 9/2015 Hsieh D7/698
D739,782 S * 9/2015 Pettigrew D11/152

2005/0229793 A1* 10/2005 Wengrovsky A47G 19/02
99/483
2014/0183204 A1* 7/2014 Kao A47G 19/2205
220/737

* cited by examiner

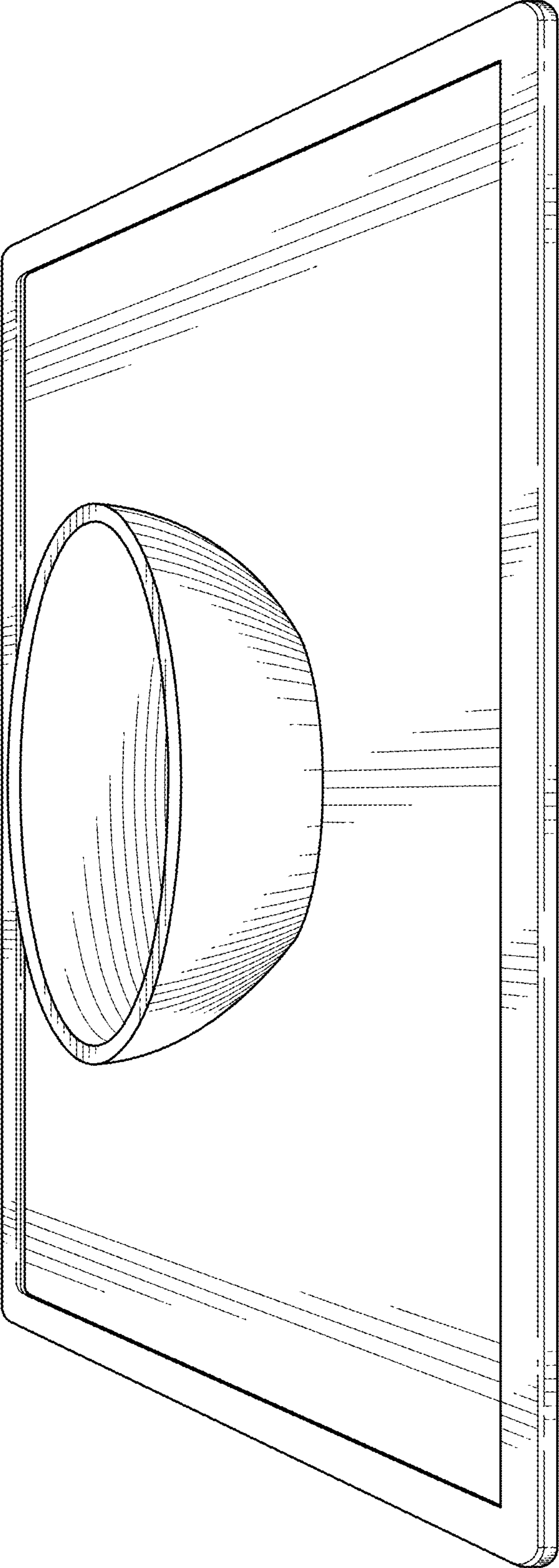


FIG. 1

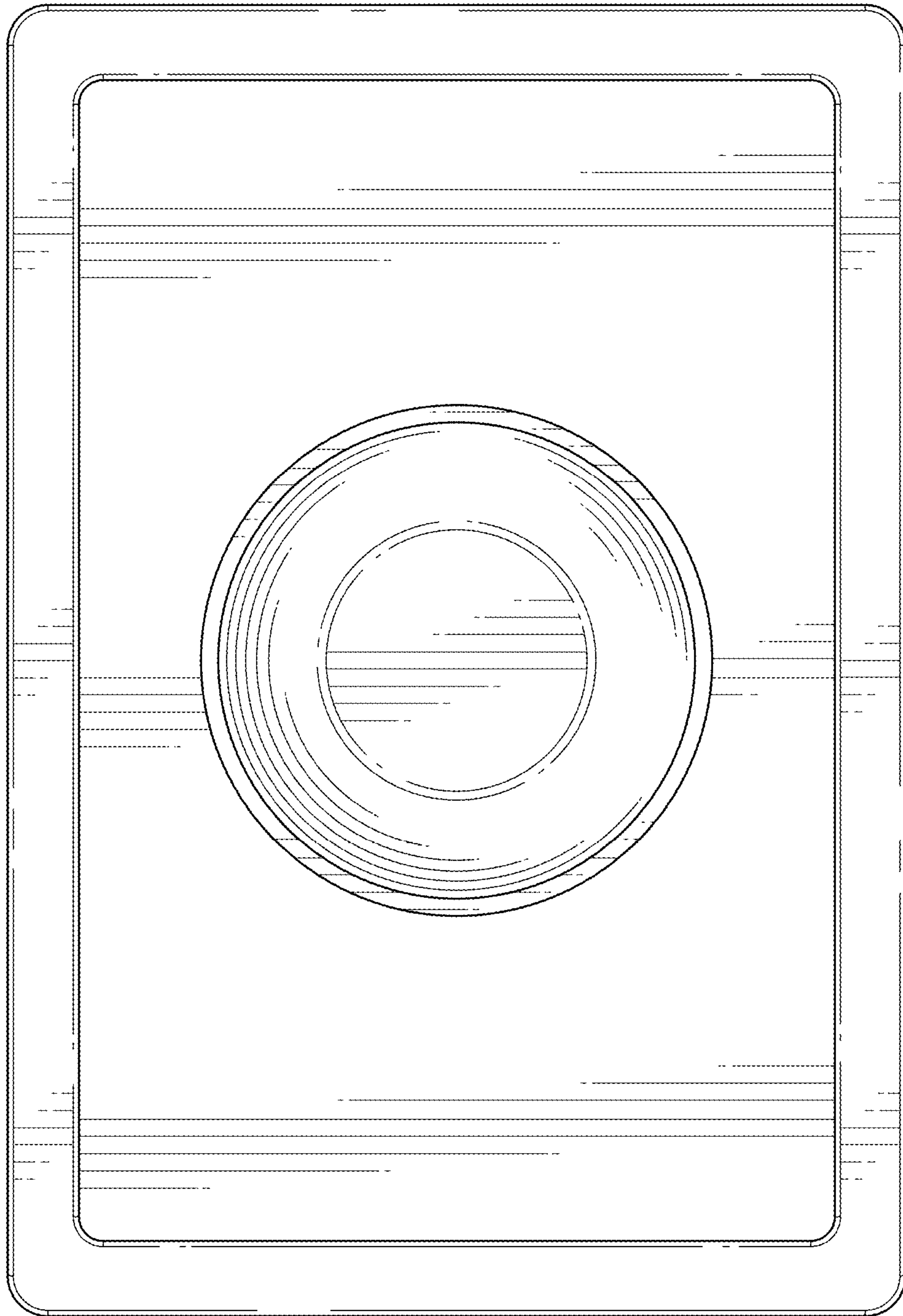


FIG. 2